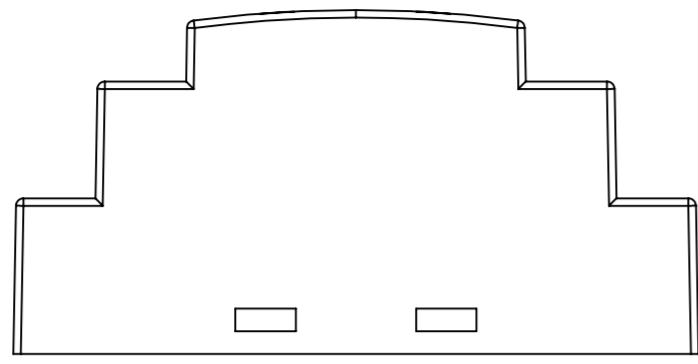
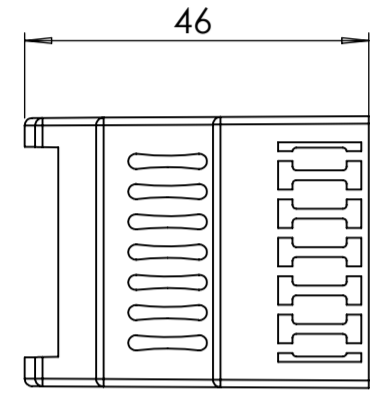


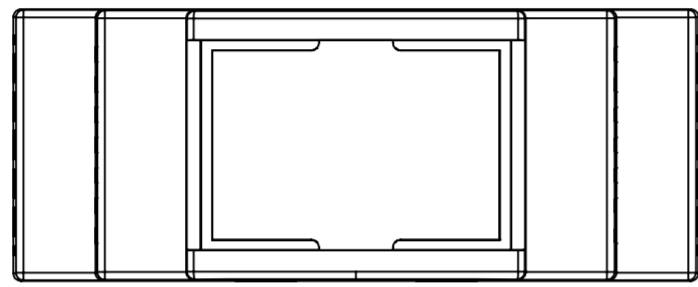
BASE: 6 SURFACE



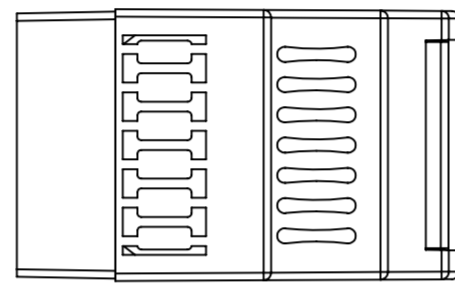
SURFACE-1



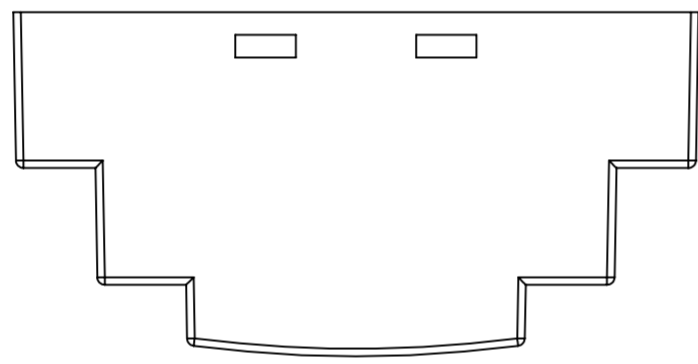
SURFACE-3



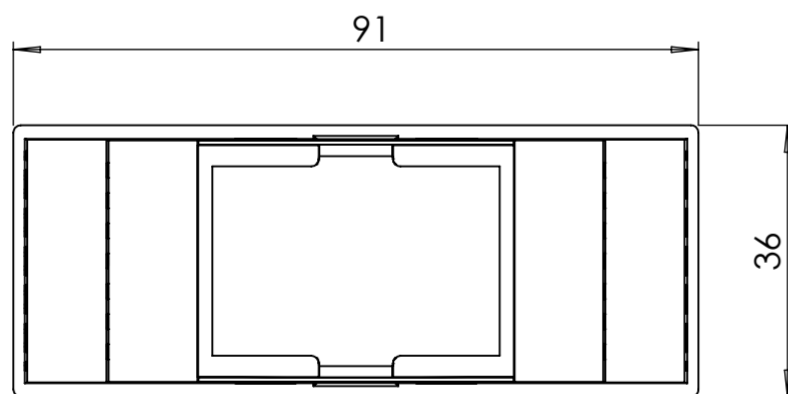
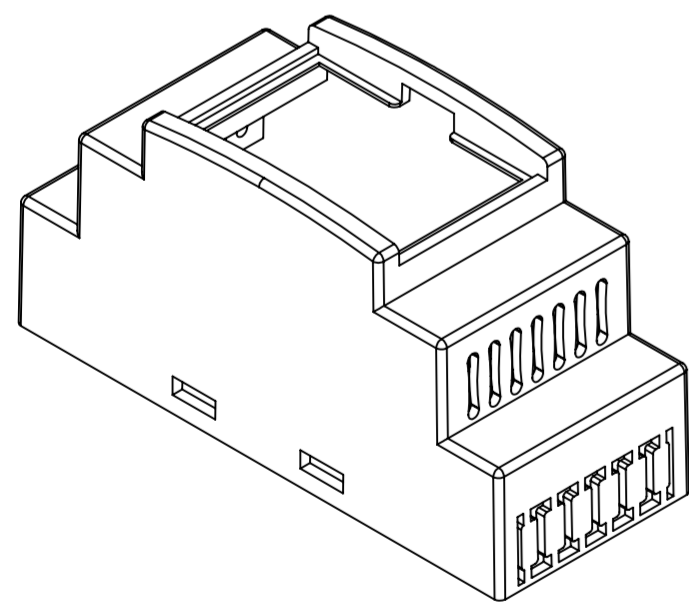
SURFACE-5



SURFACE-4

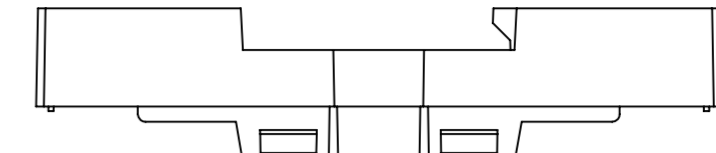


SURFACE-2

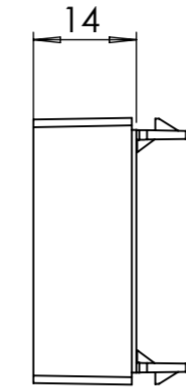


SURFACE-6 (INSIDE)

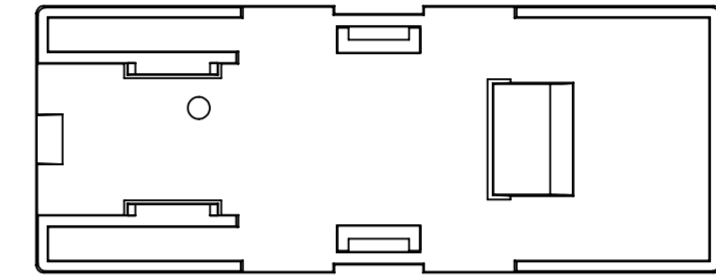
COVER: 6 SURFACE



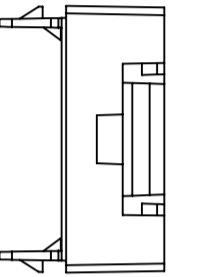
SURFACE-7



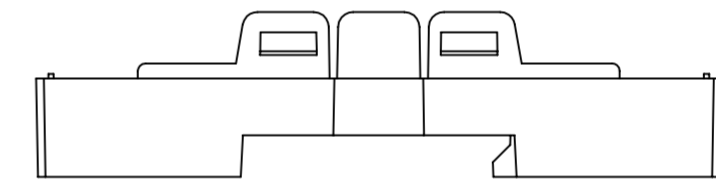
SURFACE-9



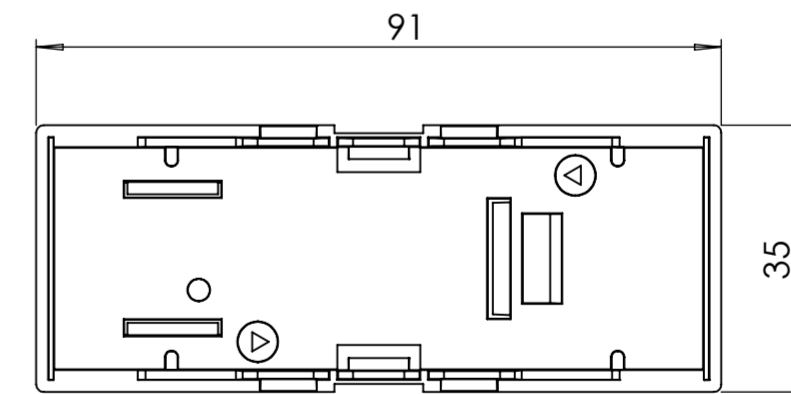
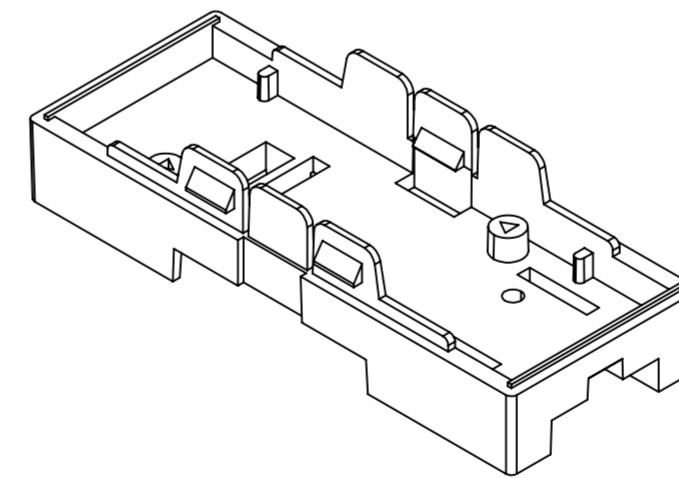
SURFACE-11



SURFACE-10

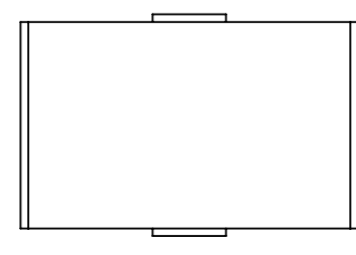
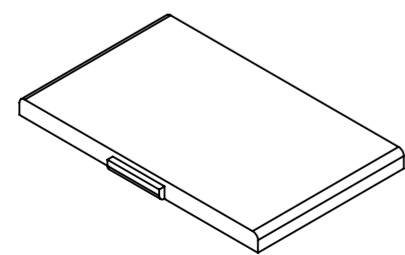


SURFACE-8

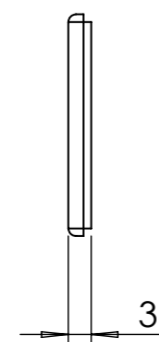


SURFACE-12 (INSIDE)

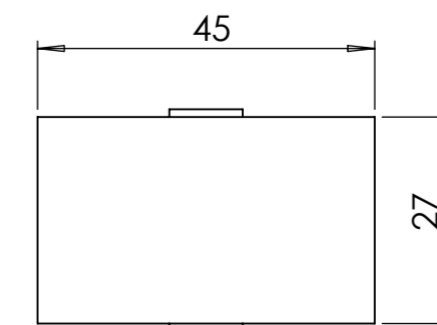
PANEL: 2 SURFACE



SURFACE-13



SURFACE-14 (INSIDE)



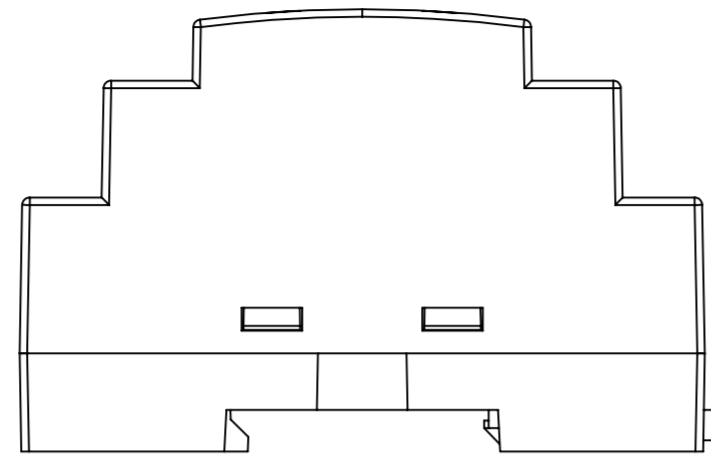
REV. NO	DATE	REVISED BY	DESCRIPTION OF CHANGE
ALTINKAYA Electronic Enclosures & Components			
Customer Name:		Customer Ref.:	
Allinkaya Ref.:		Part Name: RT-202-D	
DRAWN	NAME	DATE	Drawn From:
CHECKED	Y.YEL	16.09.2024	Material:
DIMENSIONAL TOLERANCES (UNLESS OTHERWISE SPECIFIED (EN 7148))			Weight:
0,5-3mm	3-6mm	6-30mm	30-120mm
±0,1	±0,1	±0,2	±0,3
			20-400mm Dimension (mm)
			m (medium)

SCALE: 1:1

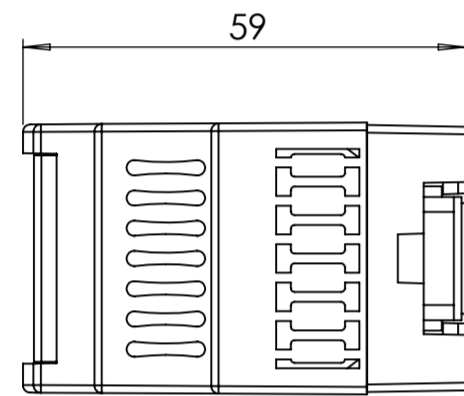
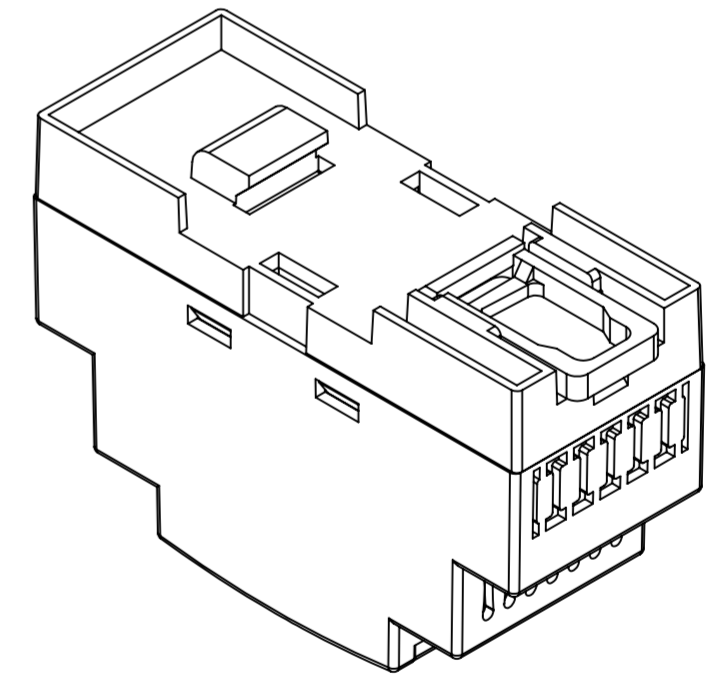
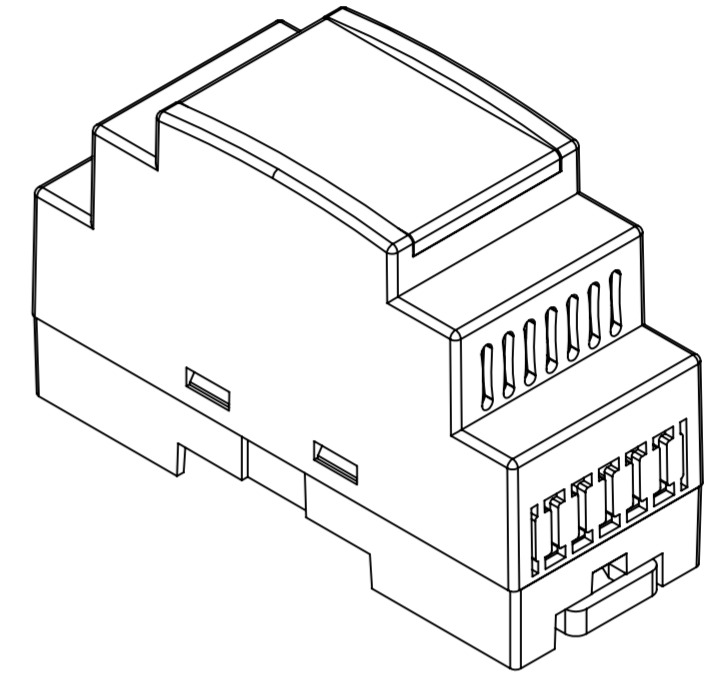
SHEET 1 OF 2

A2

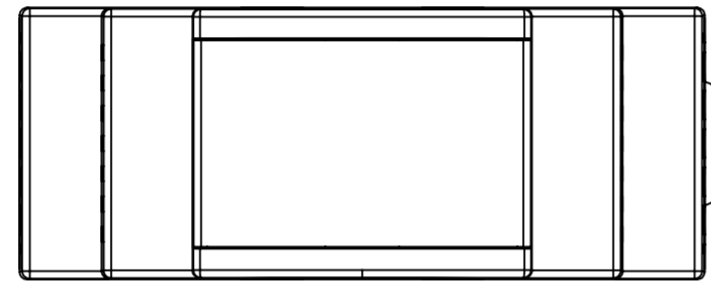
RT-202-D MACHINED TOGETHER



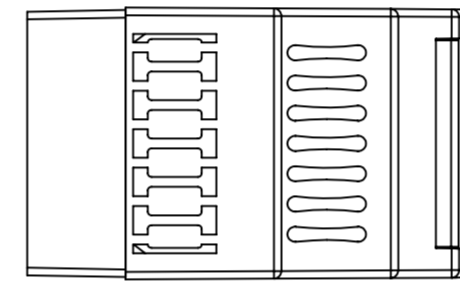
SURFACE-15



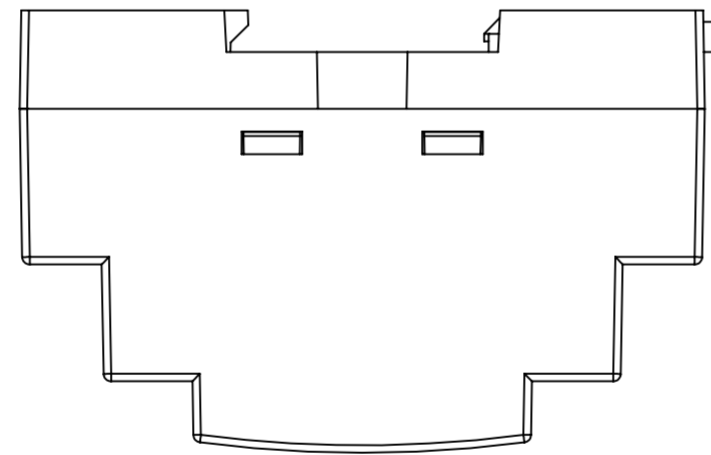
SURFACE-17



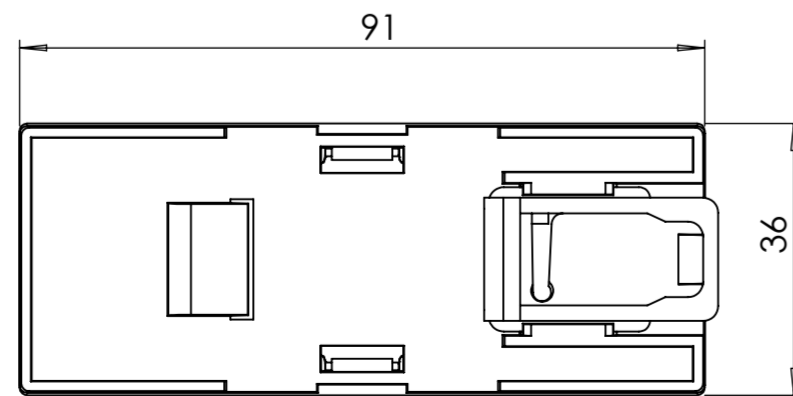
SURFACE-19



SURFACE-18



SURFACE-16



SURFACE-20

REV. NO	DATE	REVISED BY	DESCRIPTION OF CHANGE
ALTINKAYA Electronic Enclosures & Components			www.altinkaya.com
Customer Name:		Customer Ref.:	
Allinkaya Ref.:		Part Name: RT-202-D	
DRAWN	NAME	DATE	Drawn From:
CHECKED	Y.YEL	16.09.2024	Material:
DIMENSIONAL TOLERANCES UNLESS OTHERWISE SPECIFIED (DIN 7146)		0,5-3mm	3-6mm
		6-30mm	30-120mm
		20-400mm	Dimension (mm)
		±0,1	±0,1
		±0,2	±0,3
		±0,5	mm (medium)
SCALE: 1:1			SHEET 2 OF 2