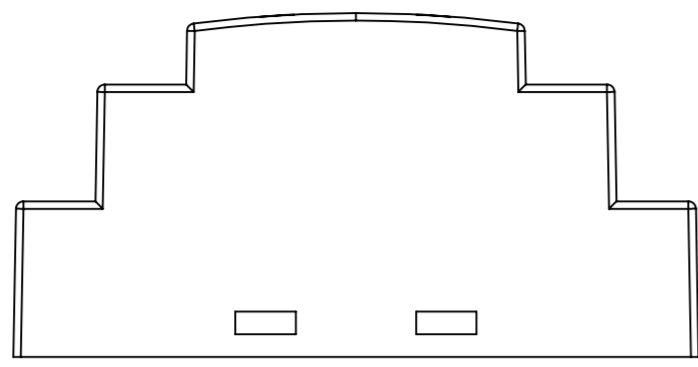
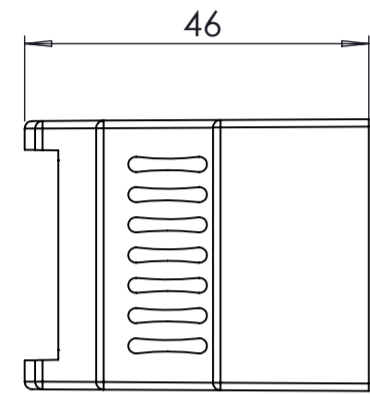


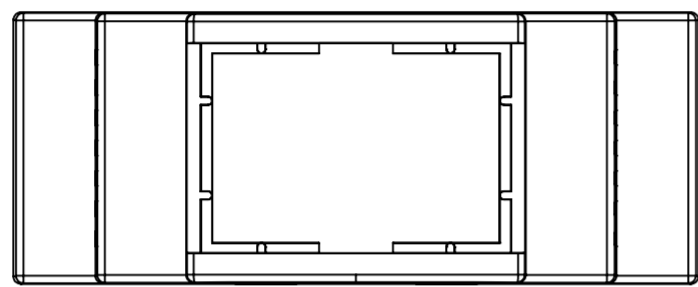
# BASE: 6 SURFACE



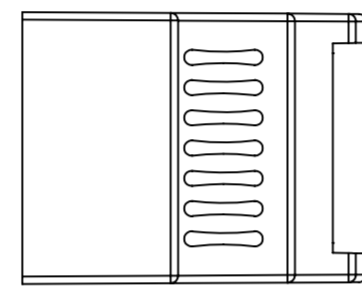
SURFACE-1



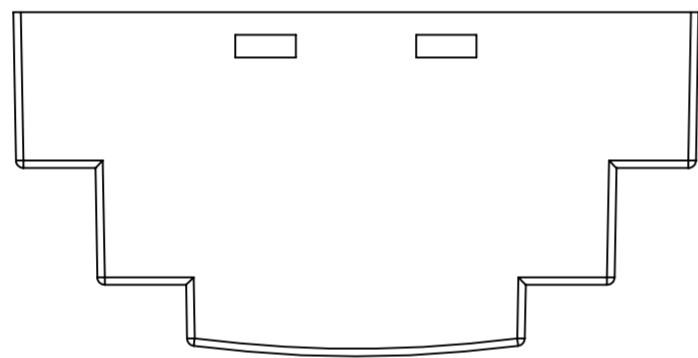
SURFACE-3



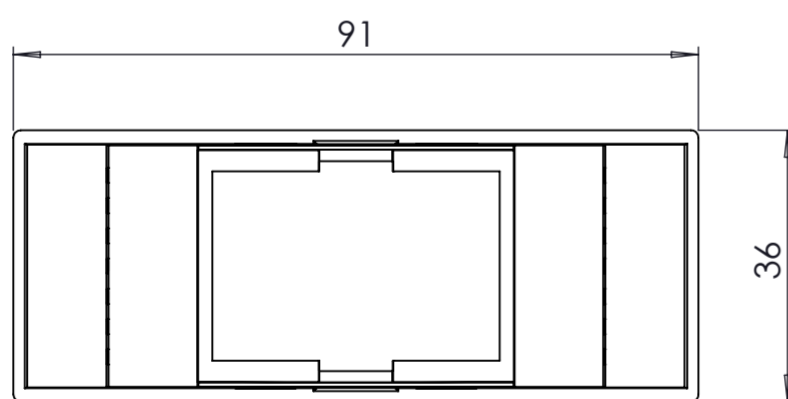
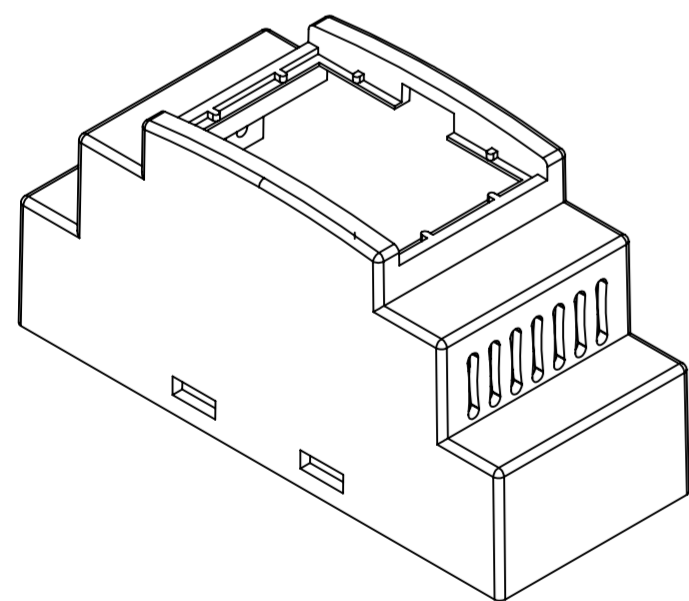
SURFACE-5



SURFACE-4

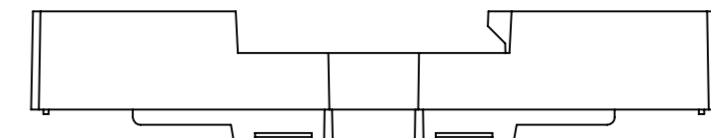


SURFACE-2

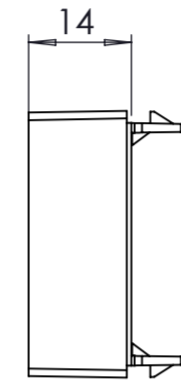


SURFACE-6 (INSIDE)

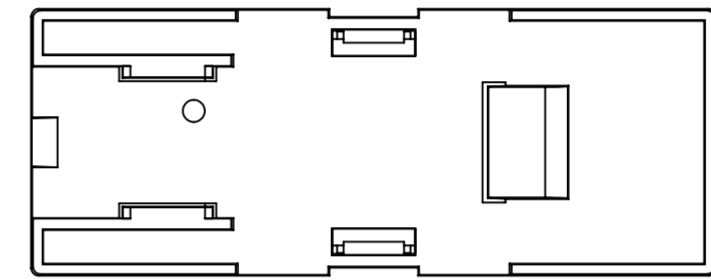
# COVER: 6 SURFACE



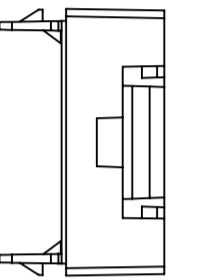
SURFACE-7



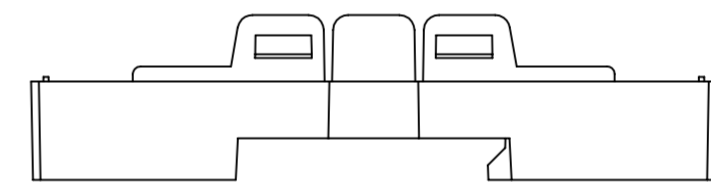
SURFACE-9



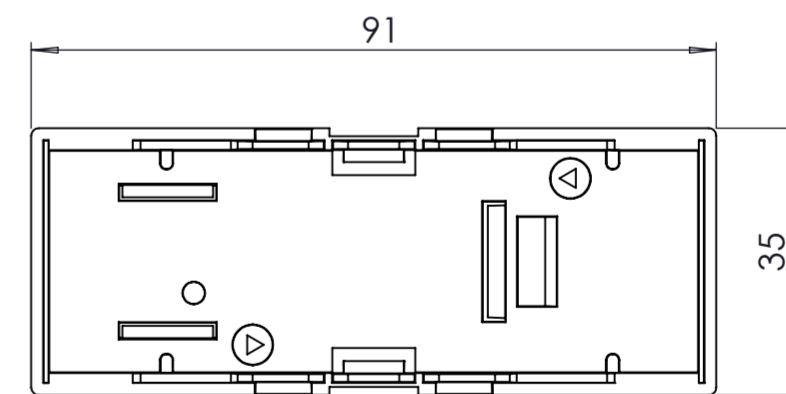
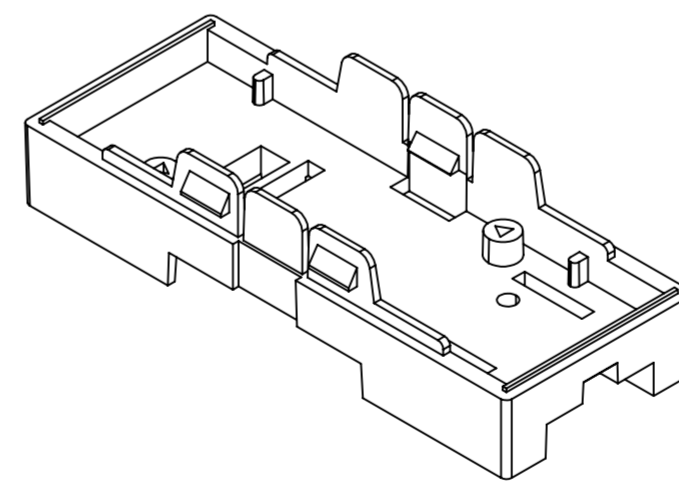
SURFACE-11



SURFACE-10

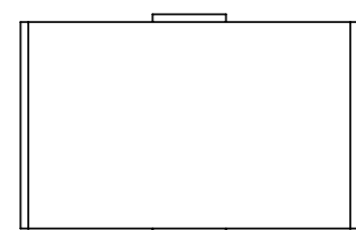
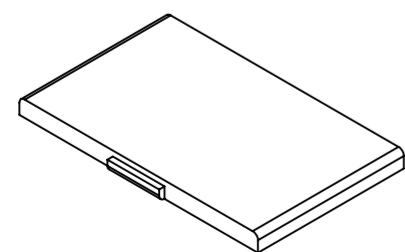


SURFACE-8

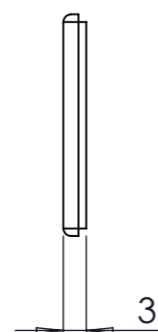


SURFACE-12 (INSIDE)

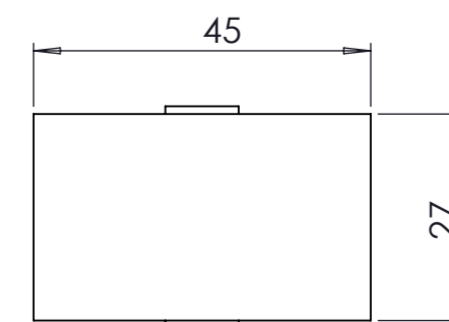
# PANEL: 2 SURFACE



SURFACE-13

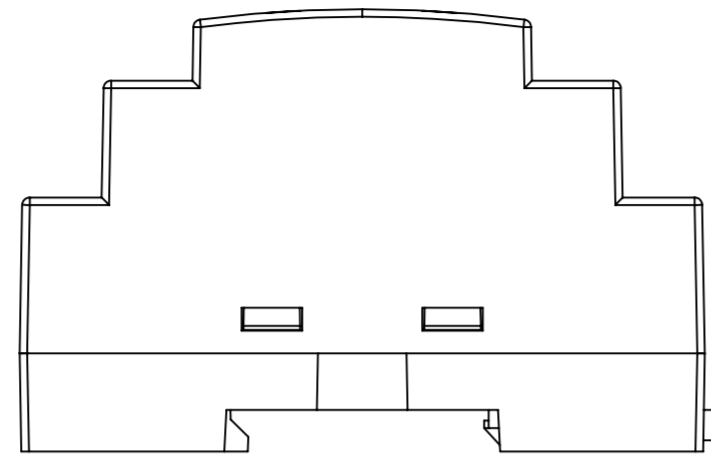


SURFACE-14 (INSIDE)

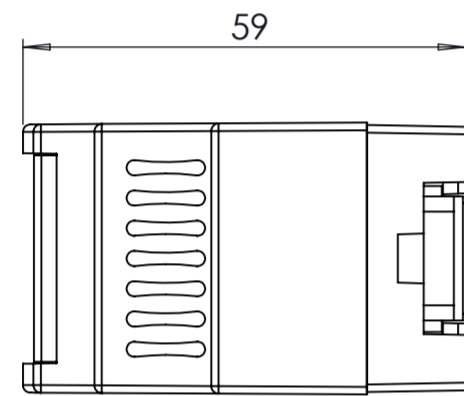
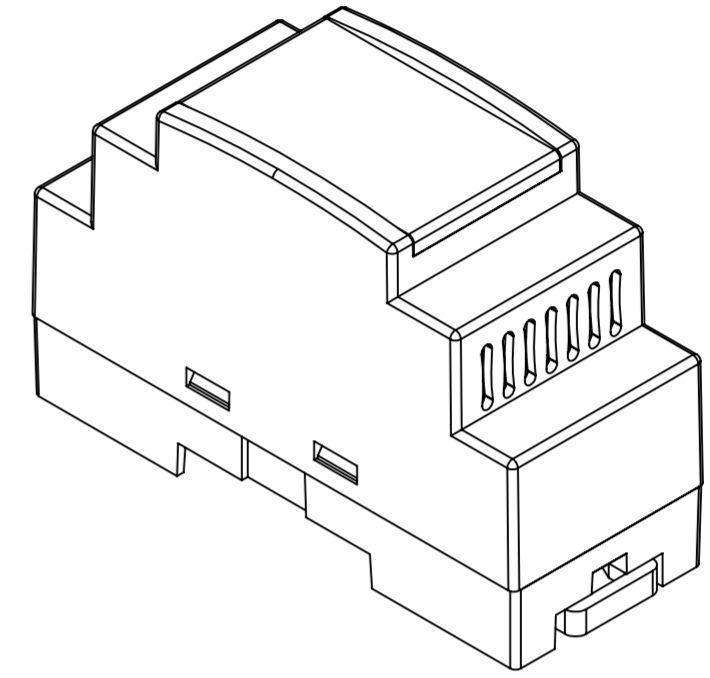


REV. NO	DATE	REVISED BY	DESCRIPTION OF CHANGE
<b>ALTINKAYA</b> Electronic Enclosures & Components			
Customer Name:		Customer Ref.:	
Allinkaya Ref.:		Part Name: RT-202-8	
DRAWN	NAME	DATE	Drawn From:
CHECKED	Y.YEL	16.09.2024	Material:
DIMENSIONAL TOLERANCES (UNLESS OTHERWISE SPECIFIED (DIN 7148))		Weight:	UNIT: mm
0,5-3mm	3-6mm	6-30mm	30-120mm
±0,1	±0,1	±0,2	±0,3
			±0,5
			m (medium)

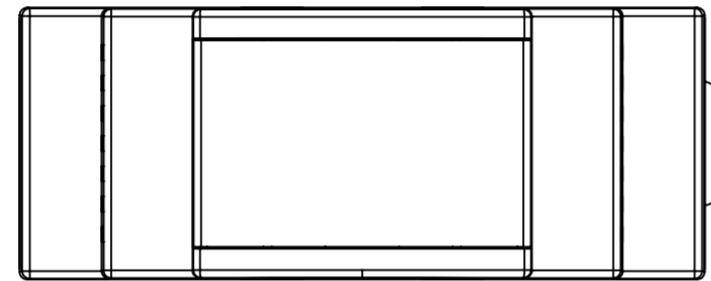
# RT-202-B MACHINED TOGETHER



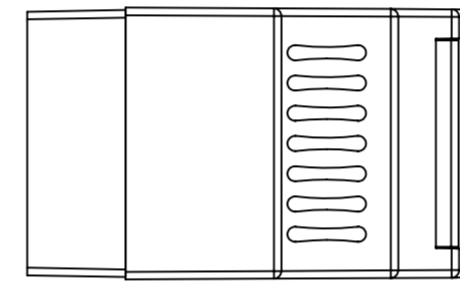
SURFACE-15



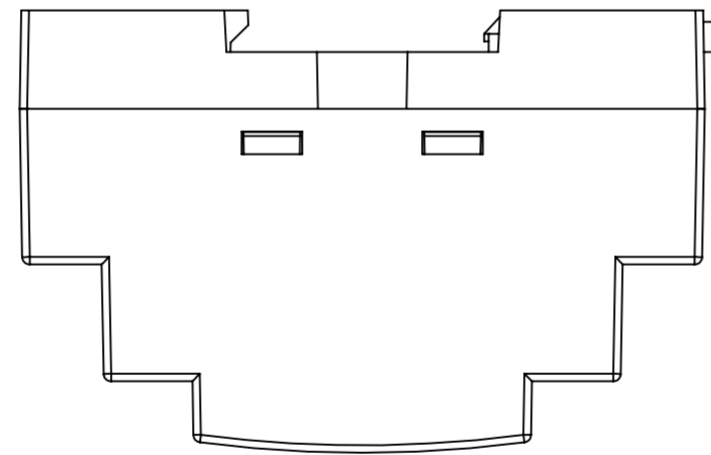
SURFACE-17



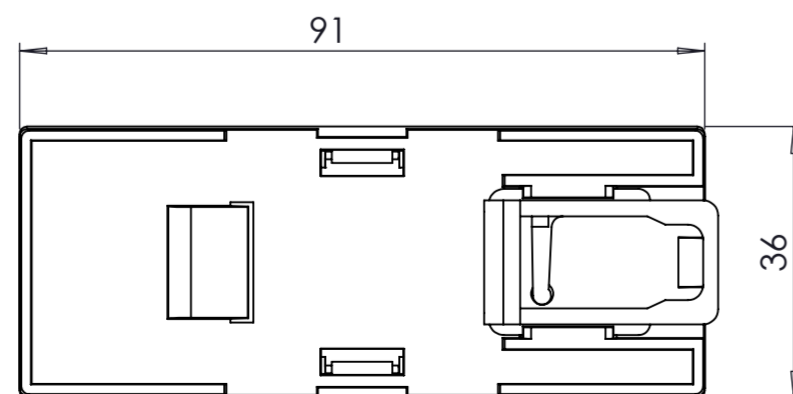
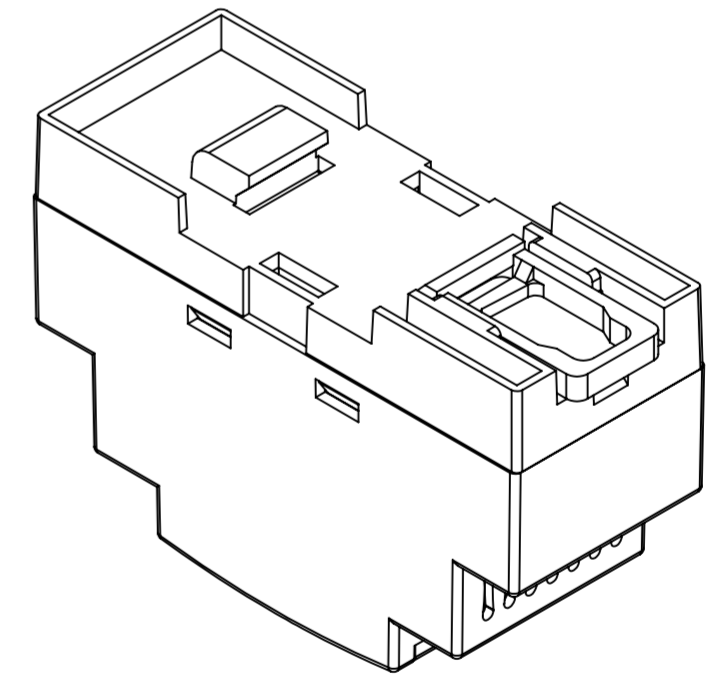
SURFACE-19



SURFACE-18



SURFACE-16



SURFACE-20

REV. NO	DATE	REVISED BY	DESCRIPTION OF CHANGE
<b>ALTINKAYA</b> Electronic Enclosures & Components			<a href="http://www.altinkaya.com">www.altinkaya.com</a>
Customer Name:		Customer Ref.:	
Altinkaya Ref.:		Part Name: RT-202-B	
DRAWN	NAME	DATE	Drawn From:
	S. YESILOZ	16.09.2024	
CHECKED	Y. YEL	16.09.2024	Material:
			Weight:
DIMENSIONAL TOLERANCES UNLESS OTHERWISE SPECIFIED (DIN 7148)			
	0,5-3mm	3-6mm	6-30mm
	±0,1	±0,1	±0,2
		±0,3	±0,5
			mm (medium)
SCALE: 1:1			SHEET 2 OF 2