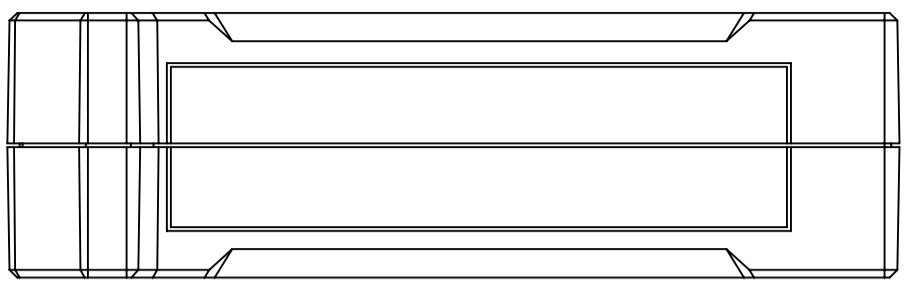
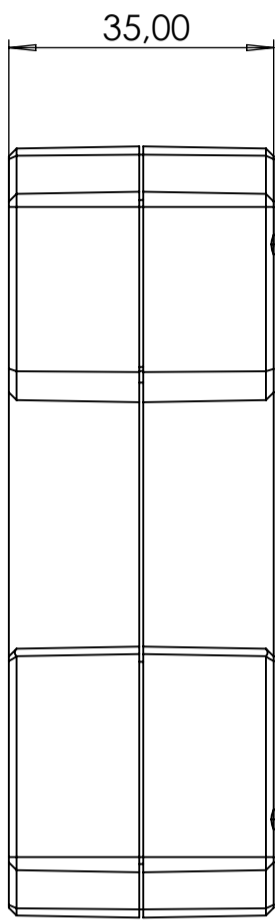


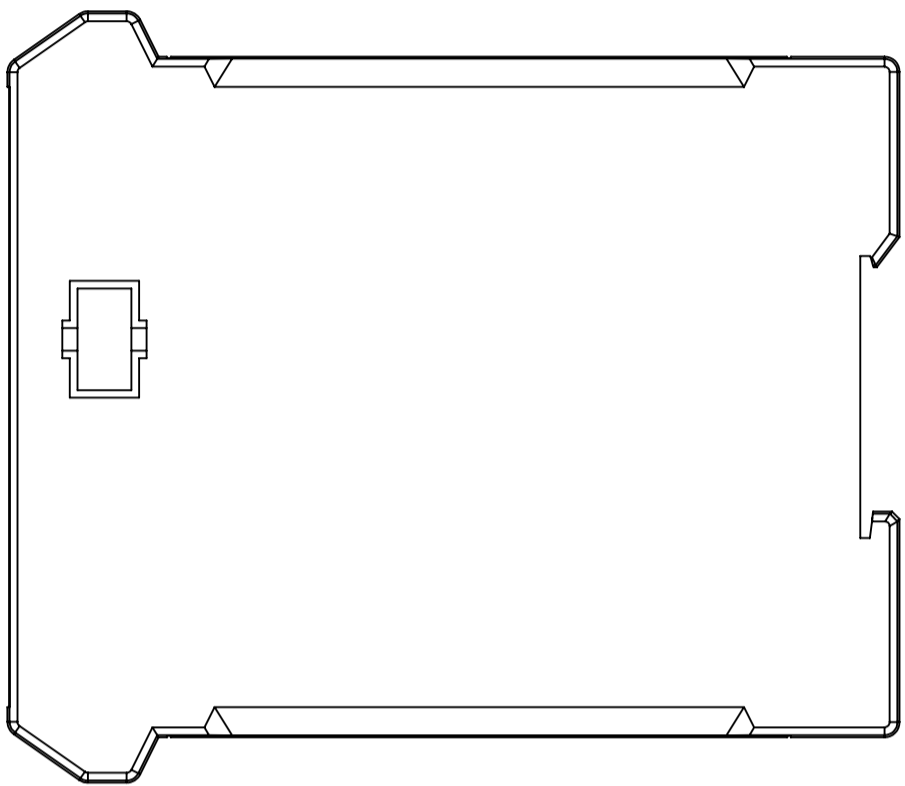
RT-152-K MACHINED TOGETHER



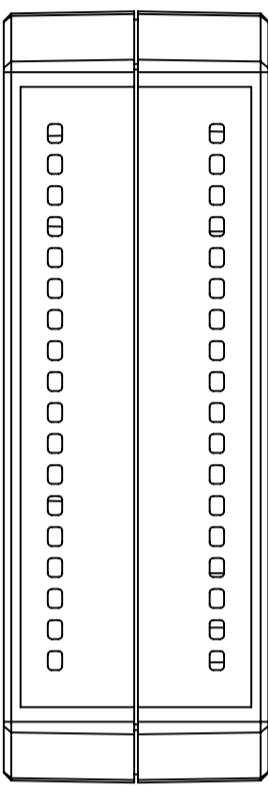
SURFACE-13



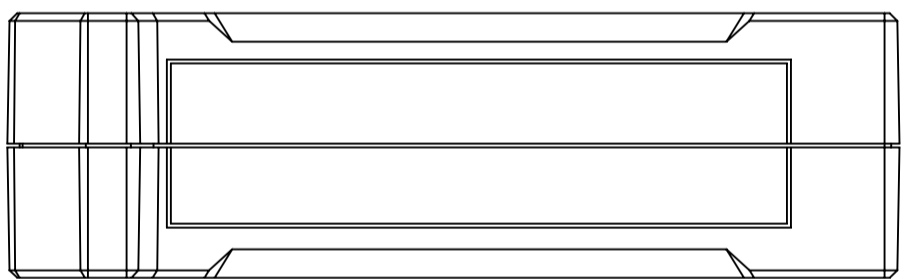
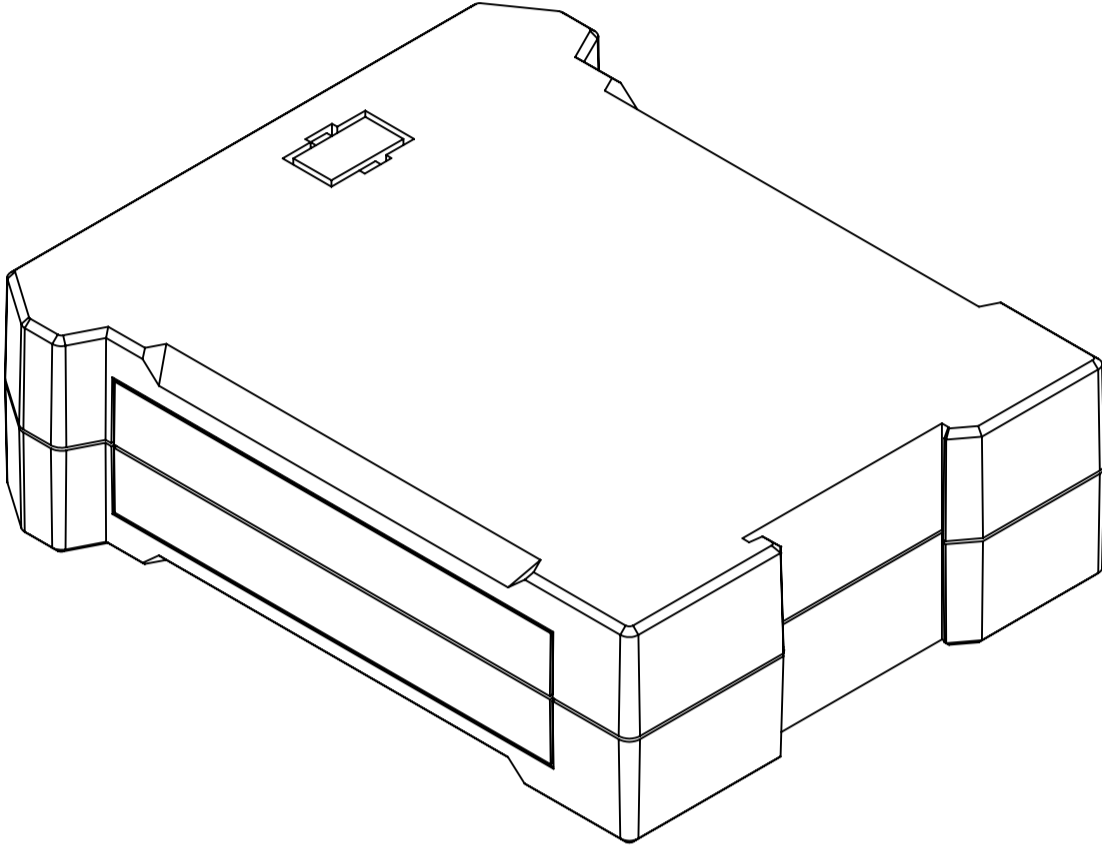
SURFACE-15



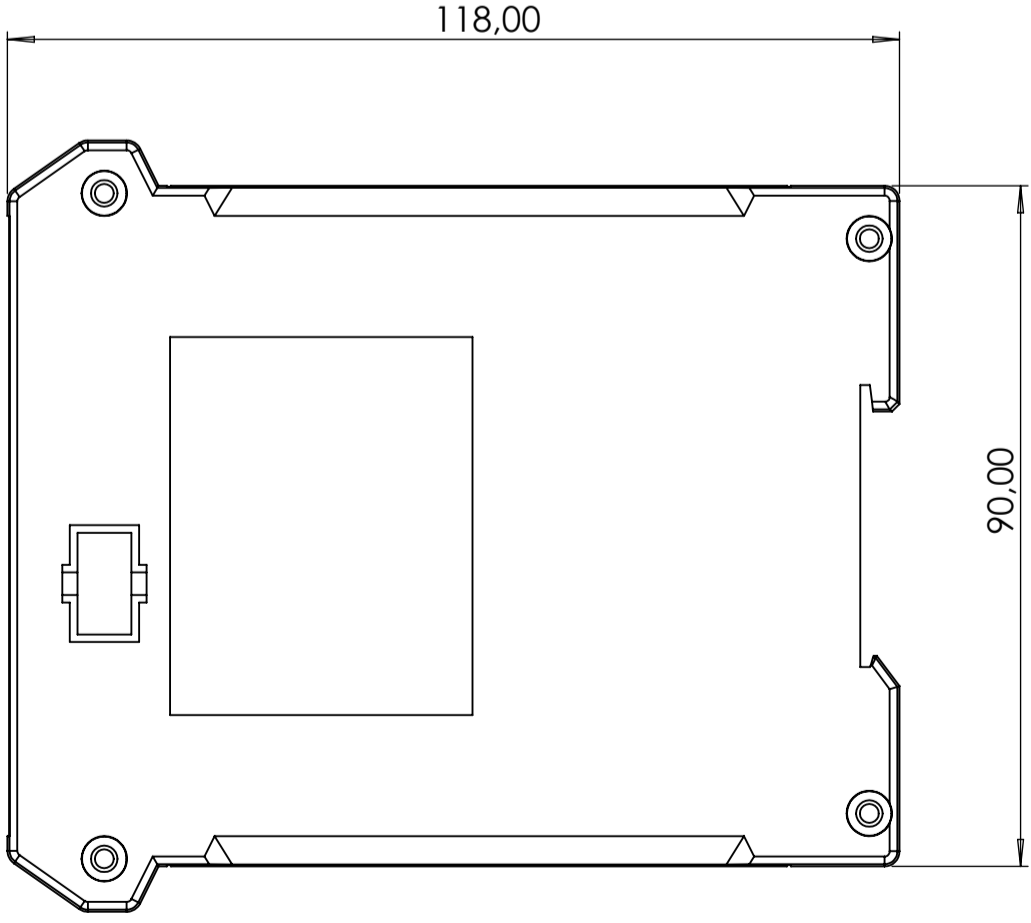
SURFACE-17



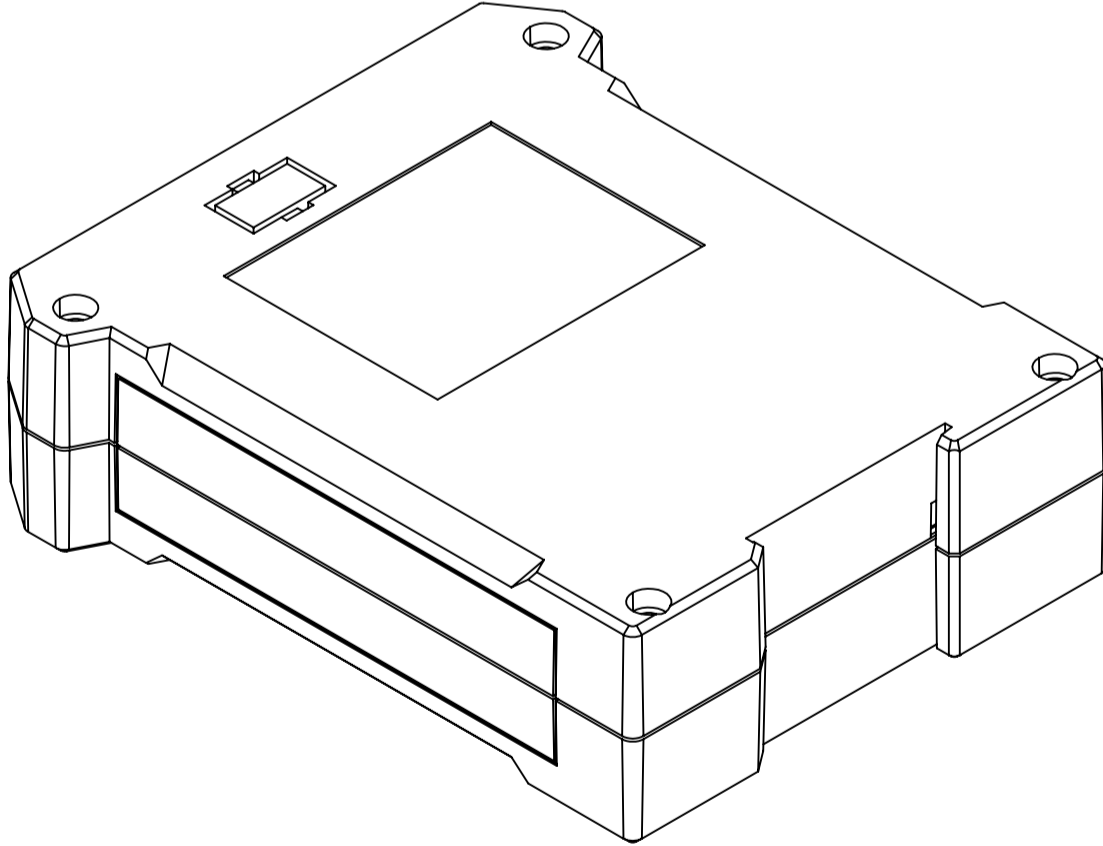
SURFACE-16



SURFACE-14



SURFACE-18



REV. NO.	DATE	REVISED BY	DESCRIPTION OF CHANGE
www.altinkaya.com			
Customer Name:		Customer Ref.:	
Altinkaya Ref.:		Part Name: RT-152-K	
DRAWN	NAME	DATE	Drawn From:
CHECKED	Y. YEL	18.09.2024	Material:
DIMENSIONAL TOLERANCES UNLESS OTHERWISE SPECIFIED:			SCALE 1:1 UNIT : mm
(R&T) (mm)	±0.1	±0.1	±0.2
	±0.1	±0.2	±0.3
		±0.5	
			Dimension (mm)
			m (medium)
			120-400mm
			30-120mm
			6-30mm
			3-6mm
			0.5-3mm