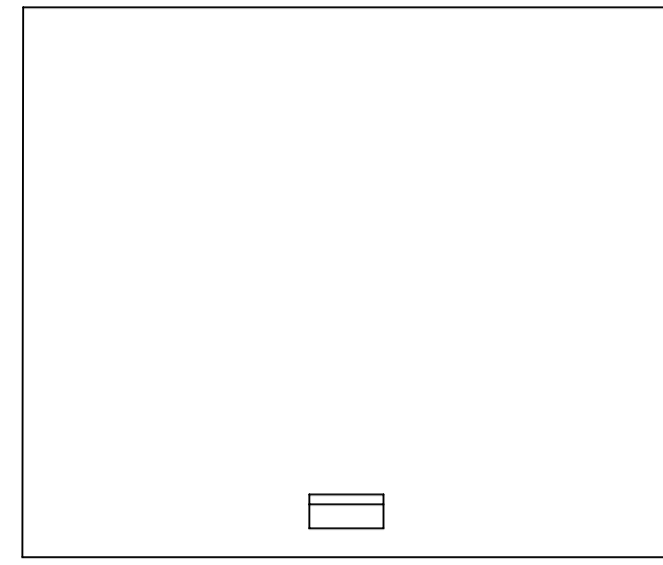
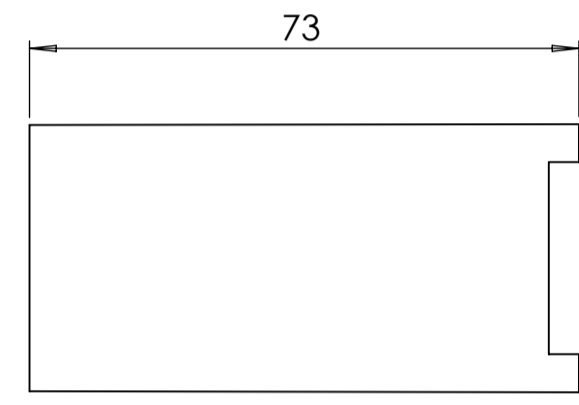


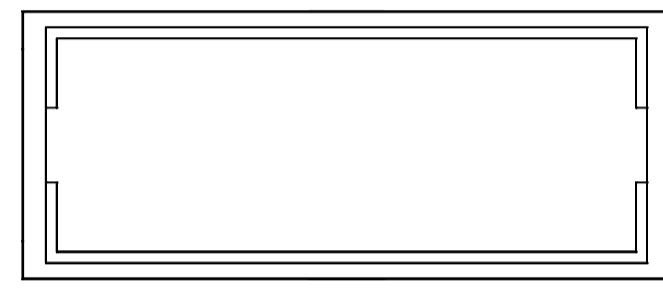
BASE: 6 SURFACE



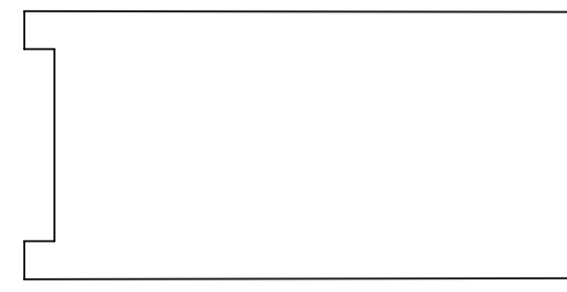
SURFACE-1



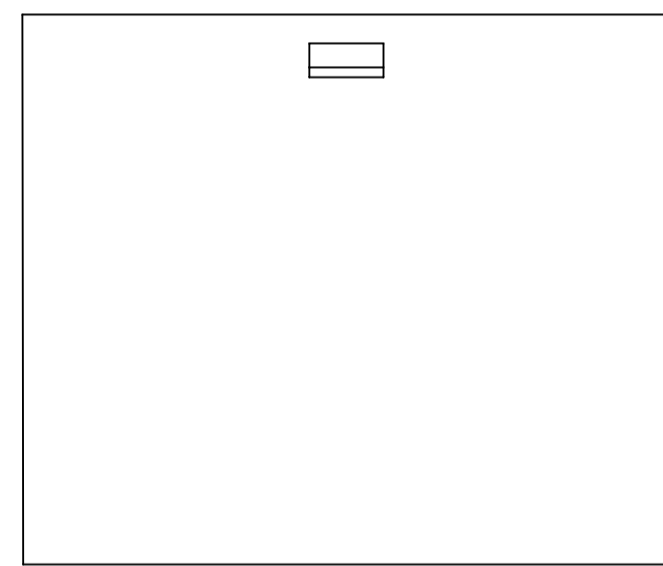
SURFACE-3



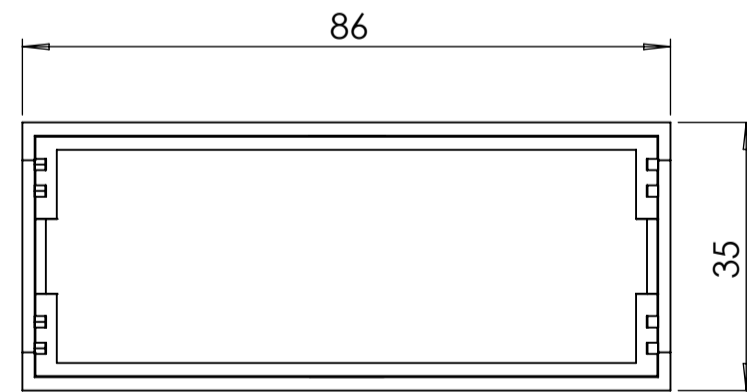
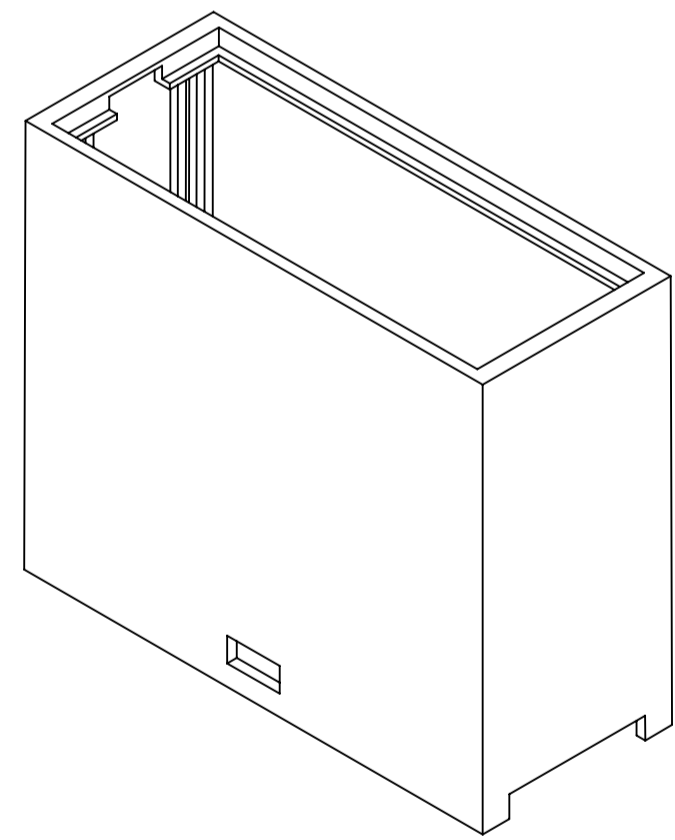
SURFACE-5



SURFACE-4

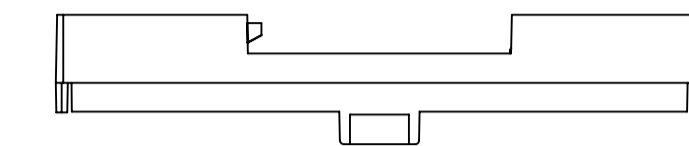


SURFACE-2

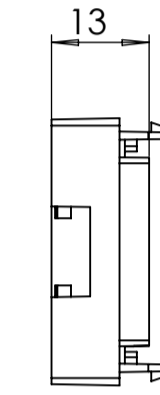


SURFACE-6 (INSIDE)

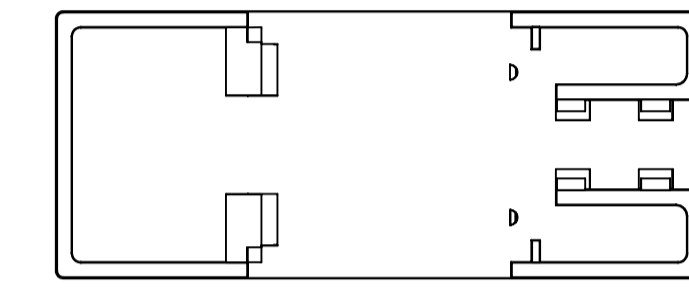
COVER: 6 SURFACE



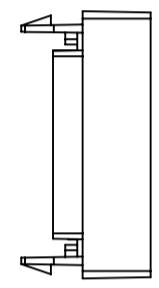
SURFACE-7



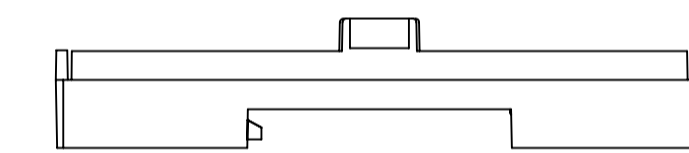
SURFACE-9



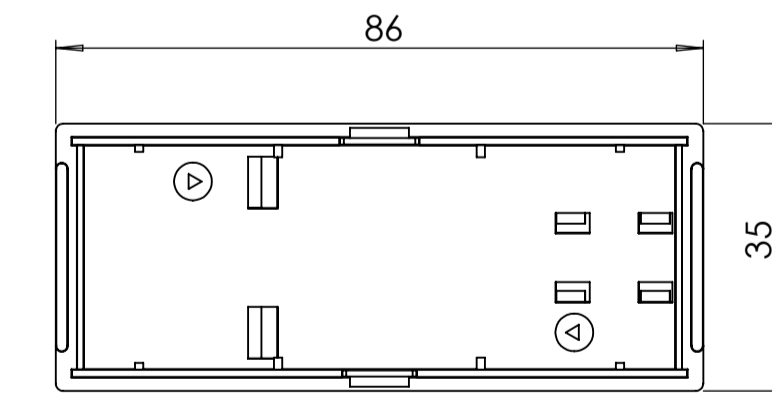
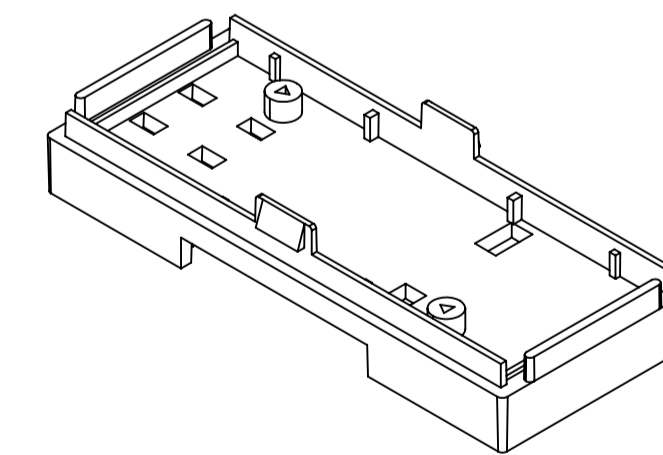
SURFACE-11



SURFACE-10

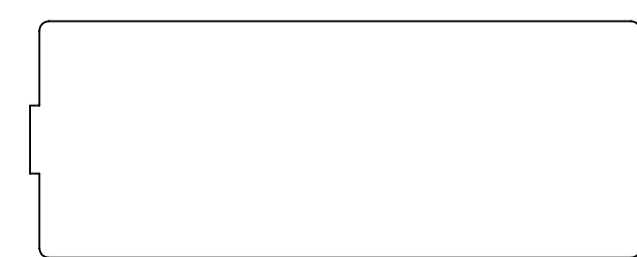
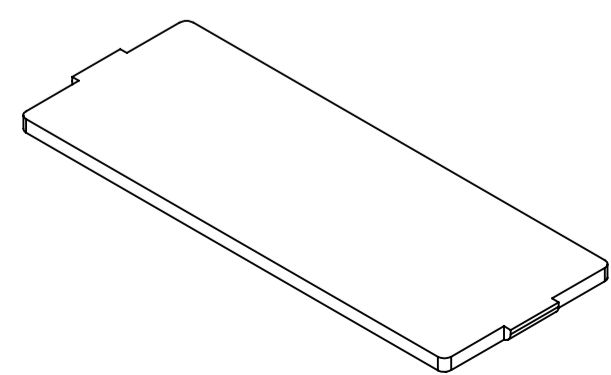


SURFACE-8

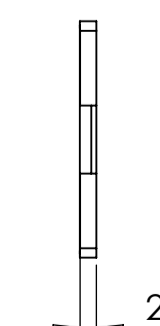


SURFACE-12 (INSIDE)

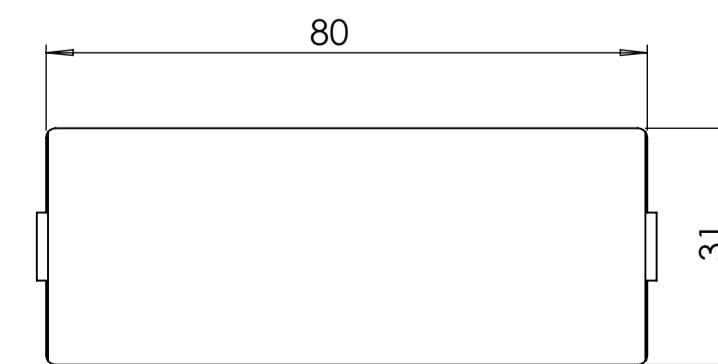
PANEL: 2 SURFACE




SURFACE-13



SURFACE-14 (INSIDE)



REV. NO.	DATE	REVISED BY	DESCRIPTION OF CHANGE
 ALTINKAYA Electronic Enclosures & Components www.altinkaya.com			
Customer Name:		Customer Ref.:	
Altinkaya Ref.:		Part Name: RT-130	
DRAWN	NAME	DATE	Drawn From:
CHECKED	Y. YEL	17.09.2024	Material:
DIMENSIONAL TOLERANCES UNLESS OTHERWISE SPECIFIED:			SCALE 1:1 UNIT : mm
±0.1	±0.1	±0.2	±0.3
±0.5	±0.5	±0.5	±0.5
Dimension (mm)			Dimension (mm)
30-120mm			120-400mm
m (medium)			m (medium)
SHEET 1 OF 2			A1

