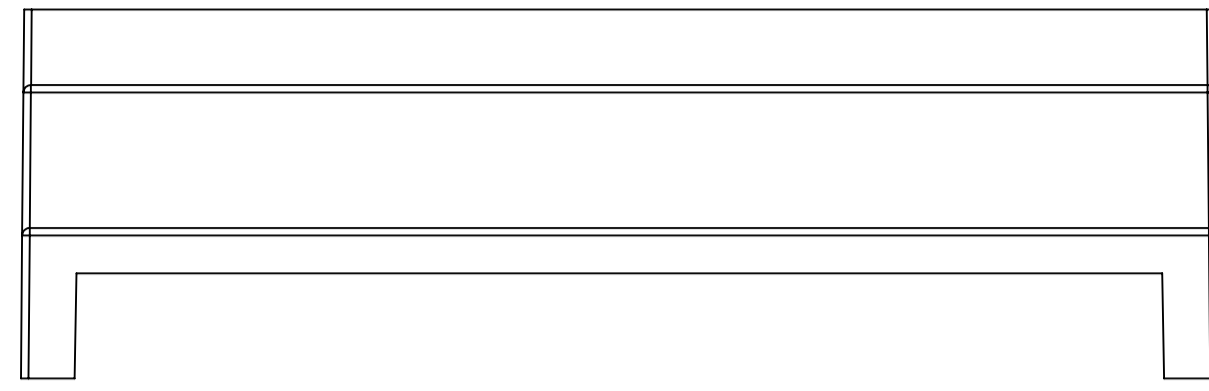
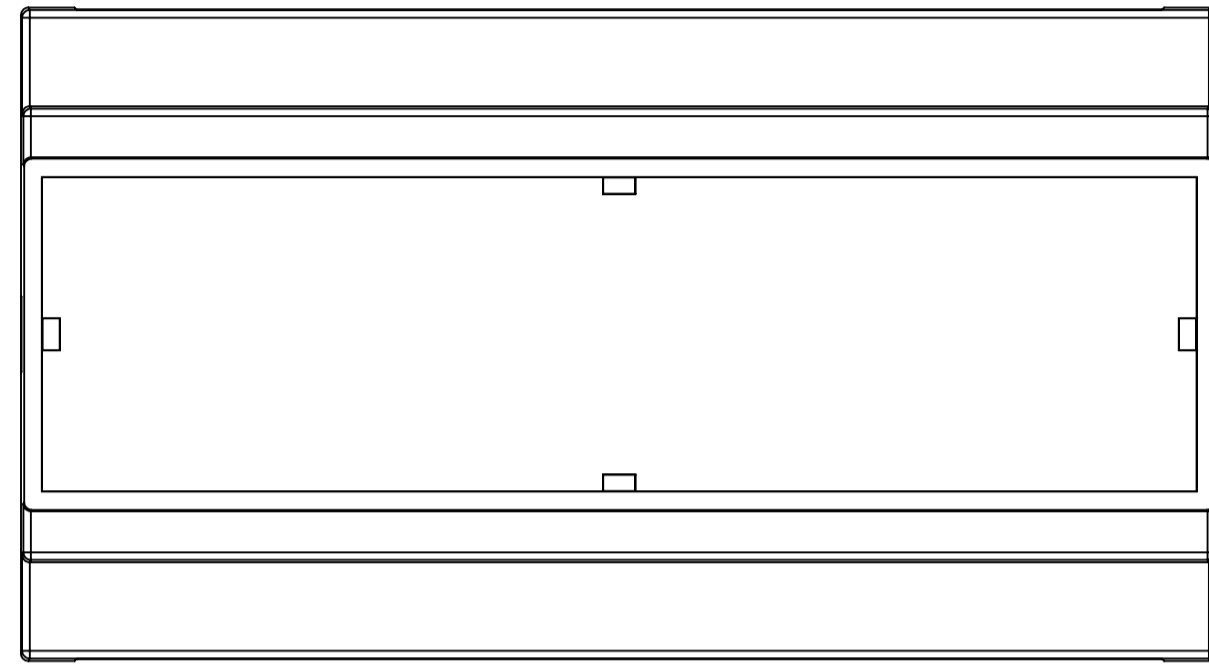


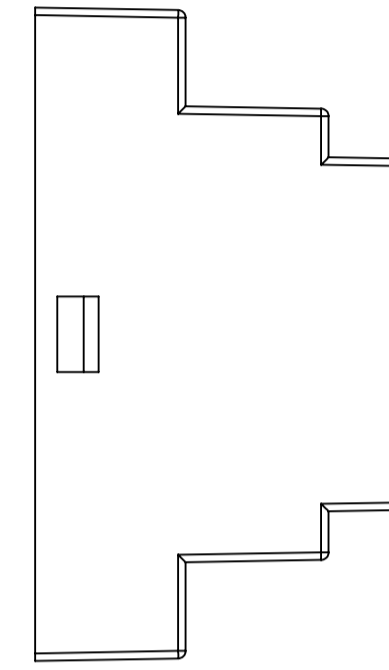
BASE: 6 SURFACE



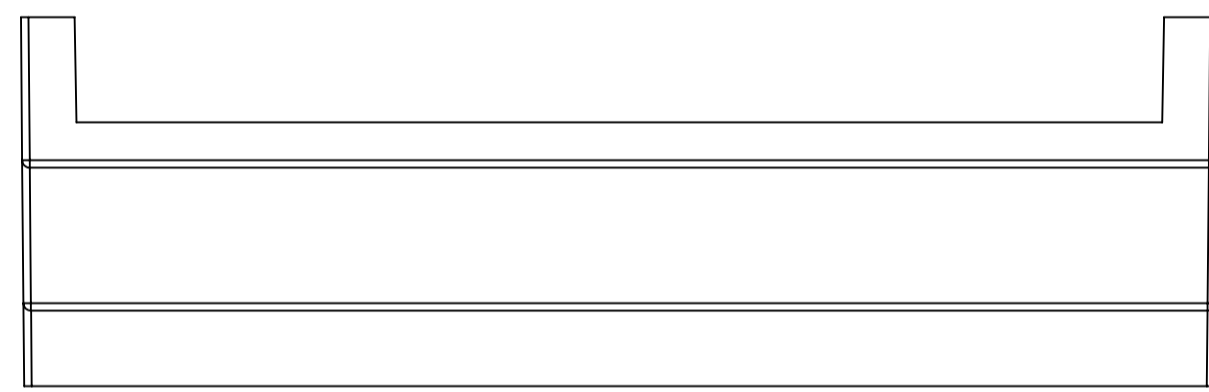
SURFACE-1



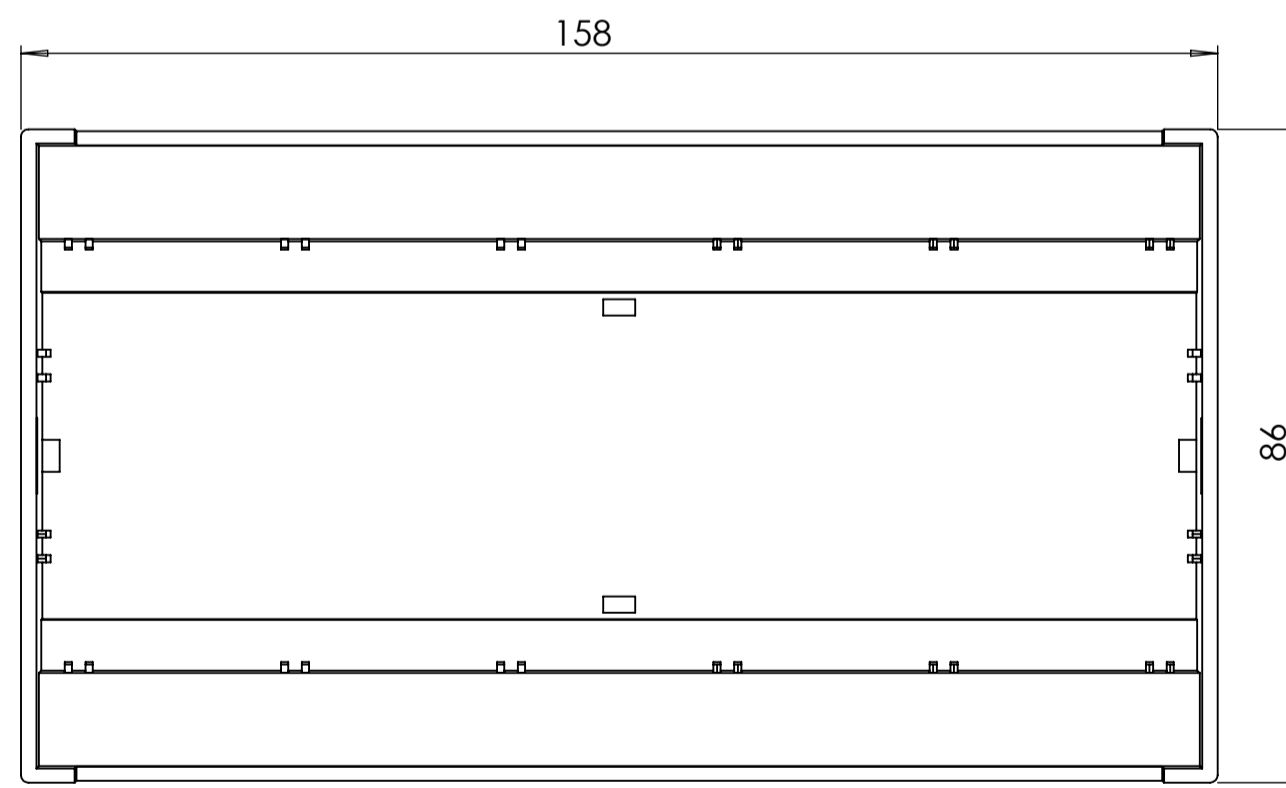
SURFACE-5



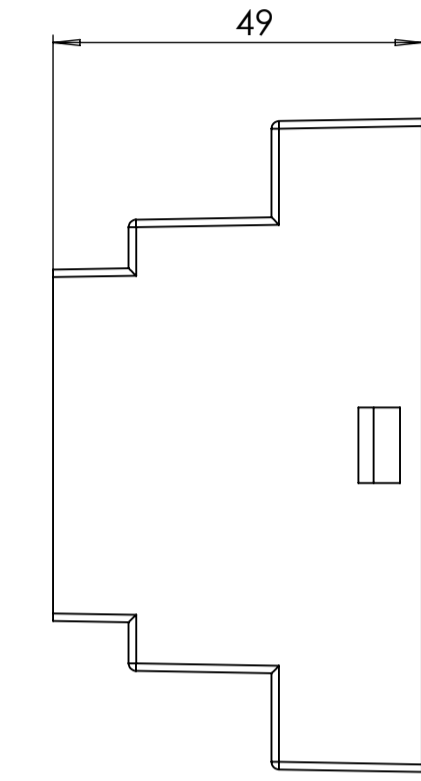
SURFACE-4



SURFACE-2

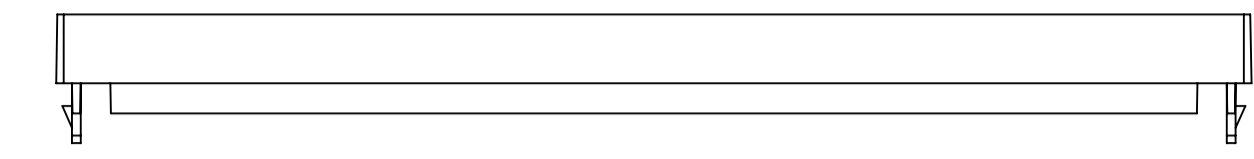


SURFACE-6 (INSIDE)

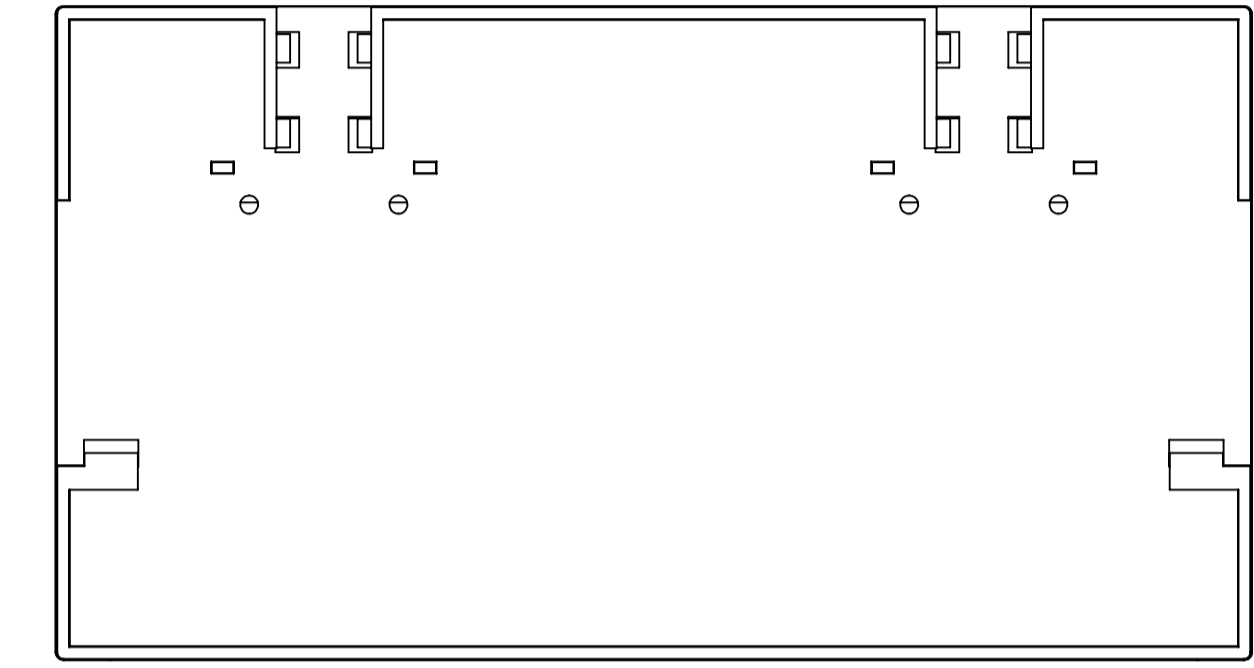


SURFACE-3

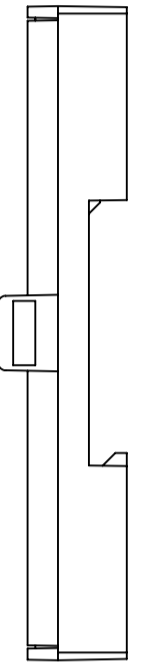
COVER: 6 SURFACE



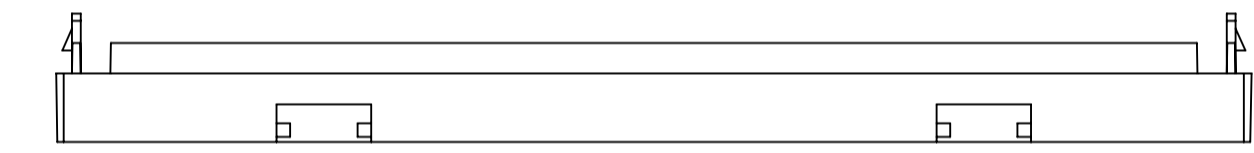
SURFACE-7



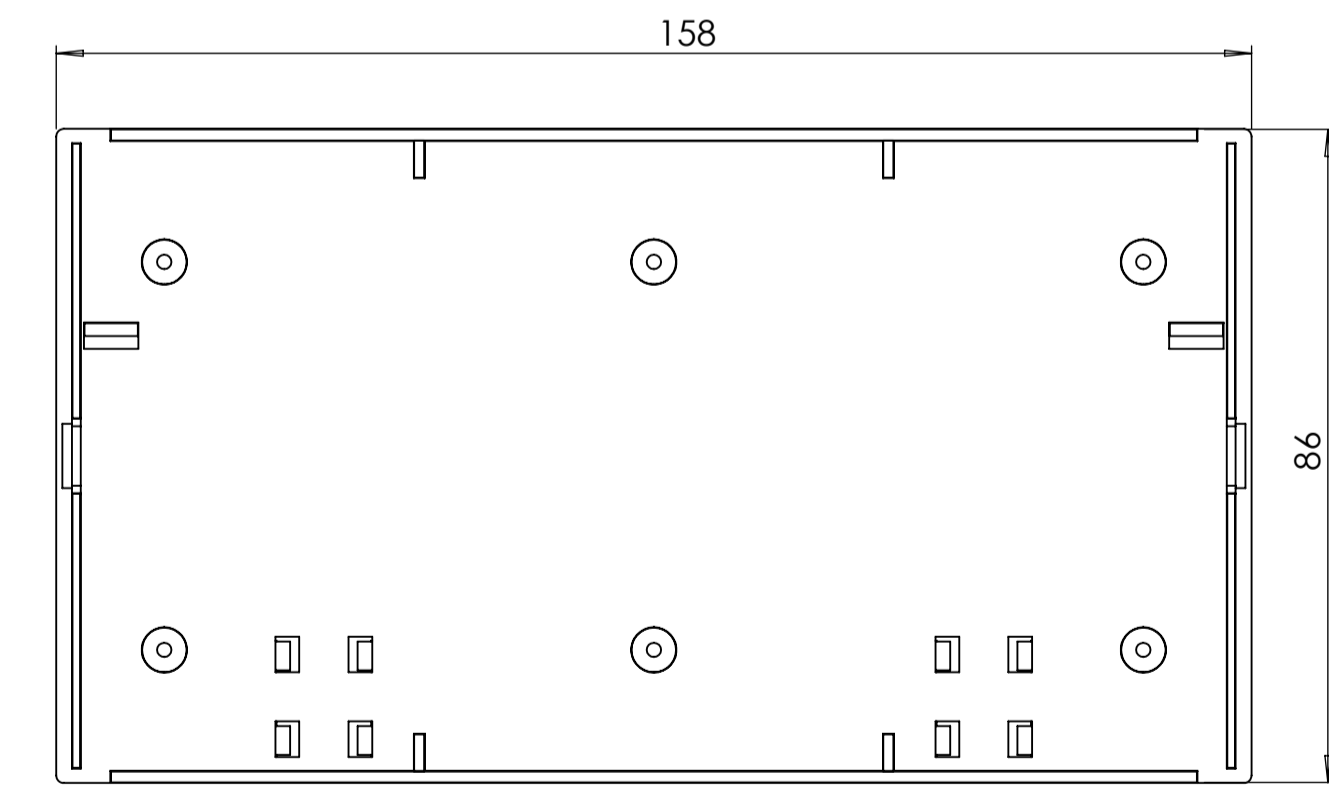
SURFACE-11



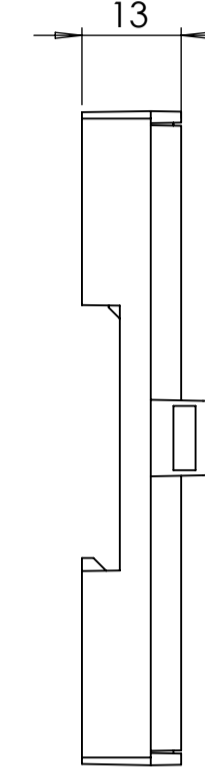
SURFACE-10



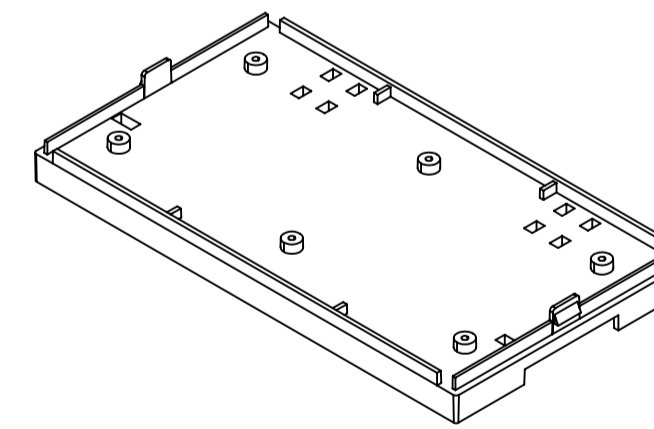
SURFACE-8



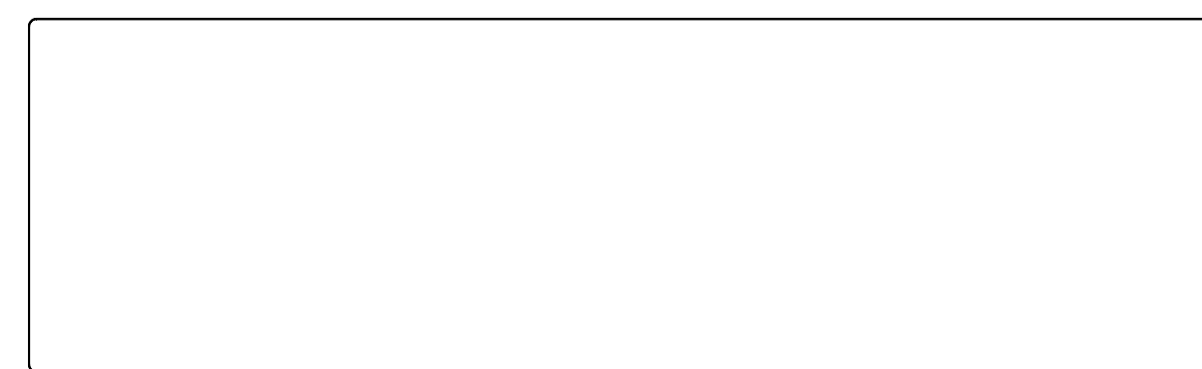
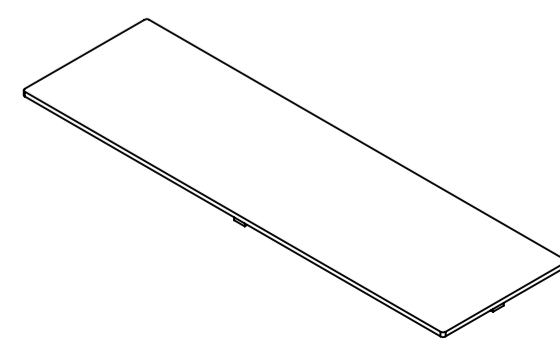
SURFACE-12 (INSIDE)



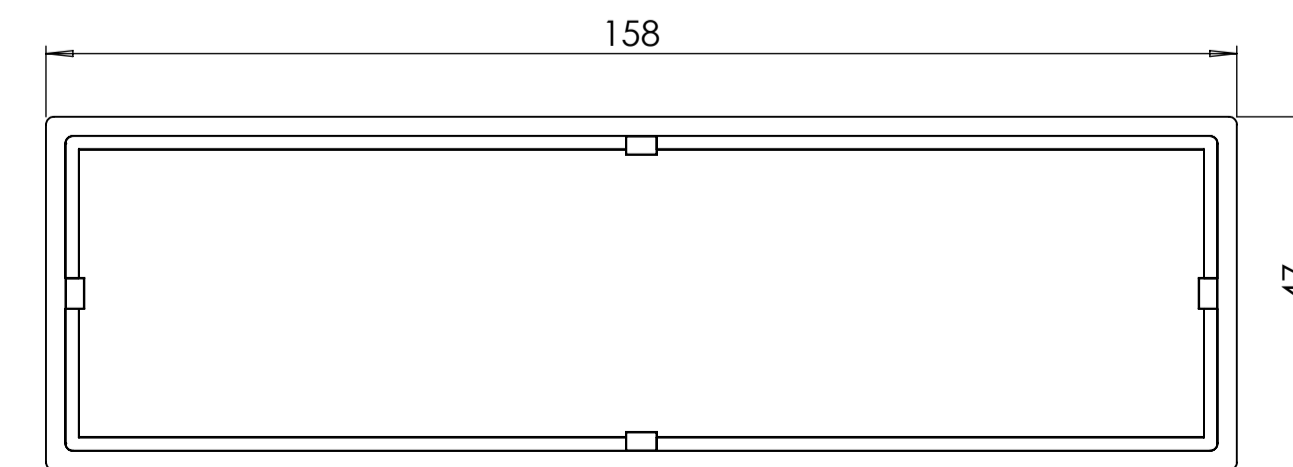
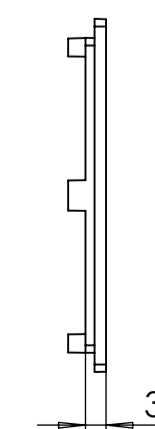
SURFACE-9



PANEL: 2 SURFACE



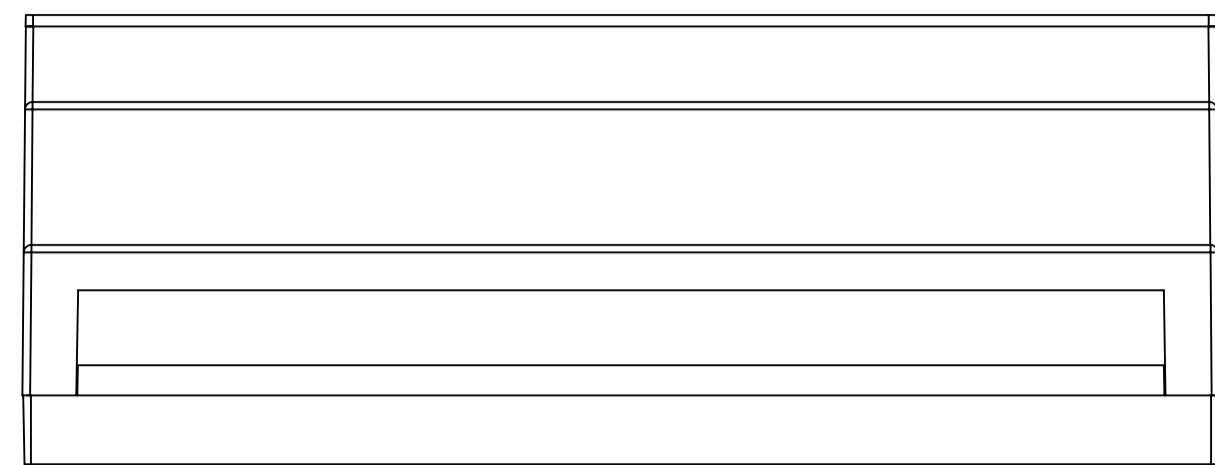
SURFACE-13



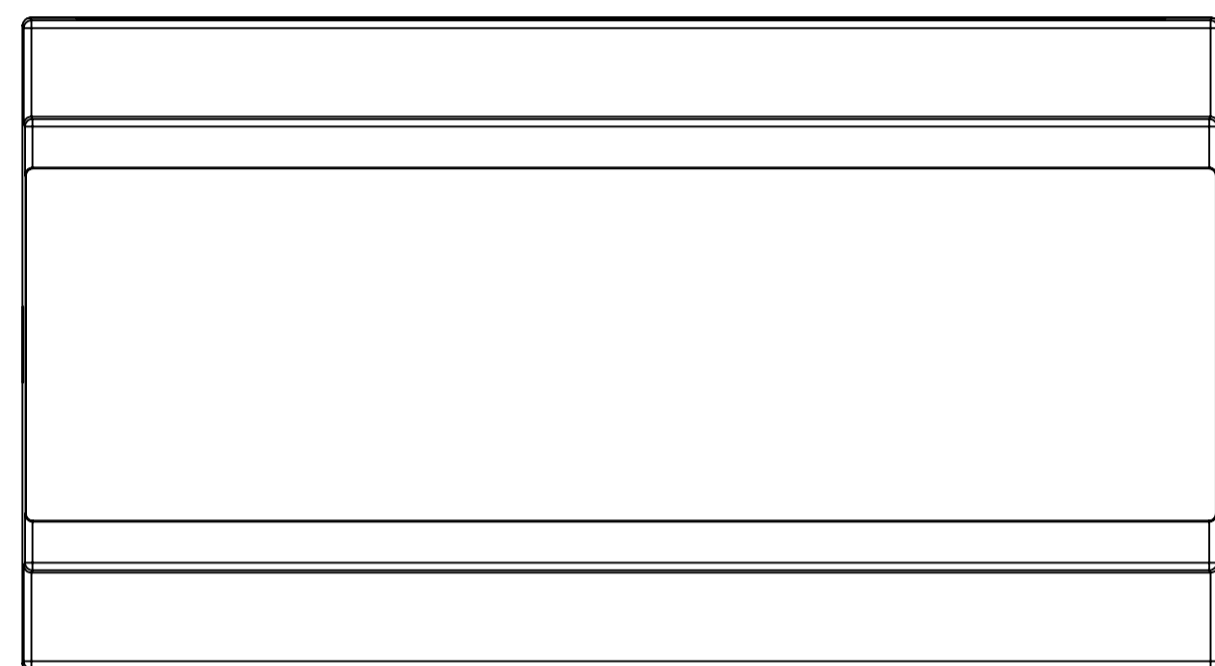
SURFACE-14 (INSIDE)

REV. NO.	DATE	REVISED BY	DESCRIPTION OF CHANGE
			www.altinkaya.com
Customer Name:		Customer Ref.:	
Altinkaya Ref.:		Part Name: RT-109-B	
DRAWN	NAME	DATE	Drawn From:
CHECKED	Y. YEL	18.09.2024	Material:
DIMENSIONAL TOLERANCES UNLESS OTHERWISE SPECIFIED:			SCALE 1:1 UNIT : mm
(DIN7148)	±0.1	±0.1	±0.2 ±0.3 ±0.5
	3-6mm	6-30mm	30-120mm 120-400mm
			Dimension(mm) m(medium)
			SHEET 1 OF 2

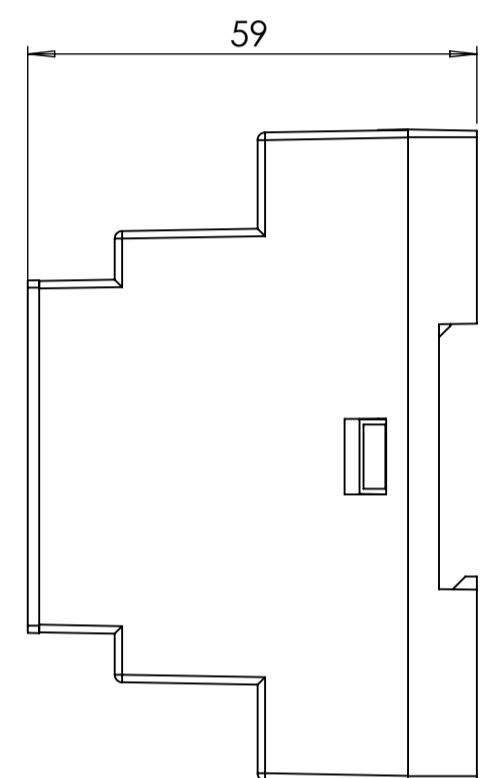
RT-109-B MACHINED TOGETHER



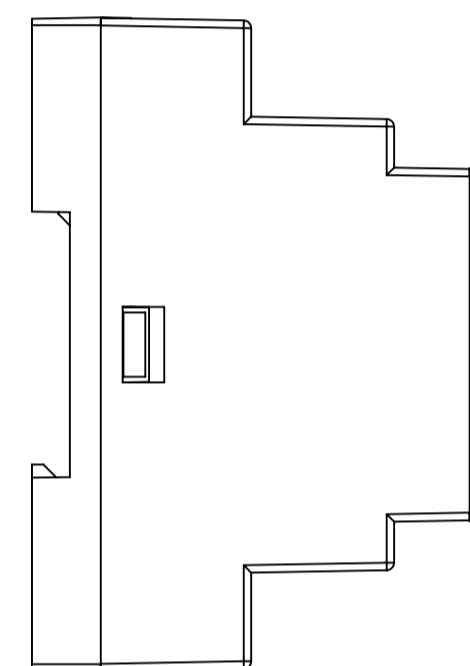
SURFACE-15



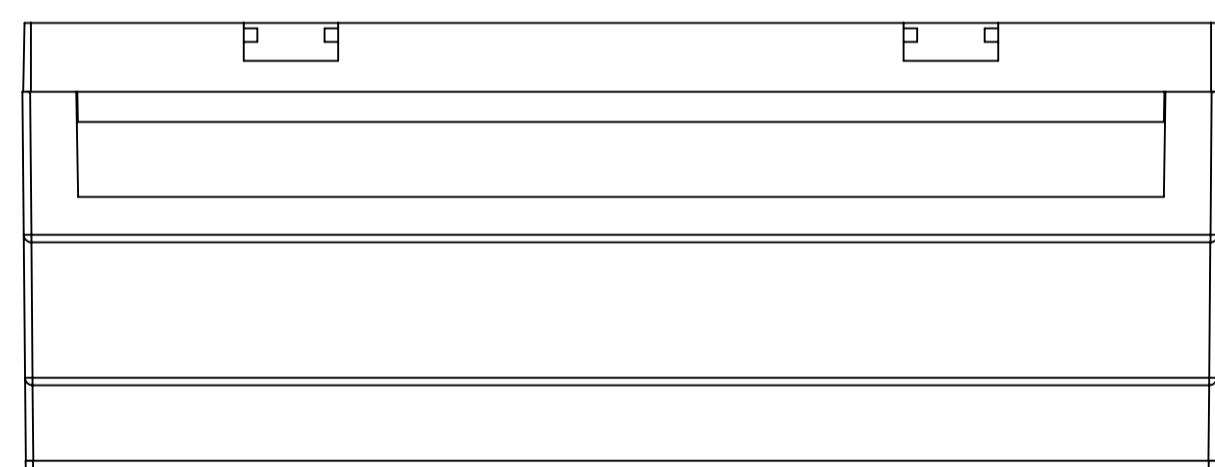
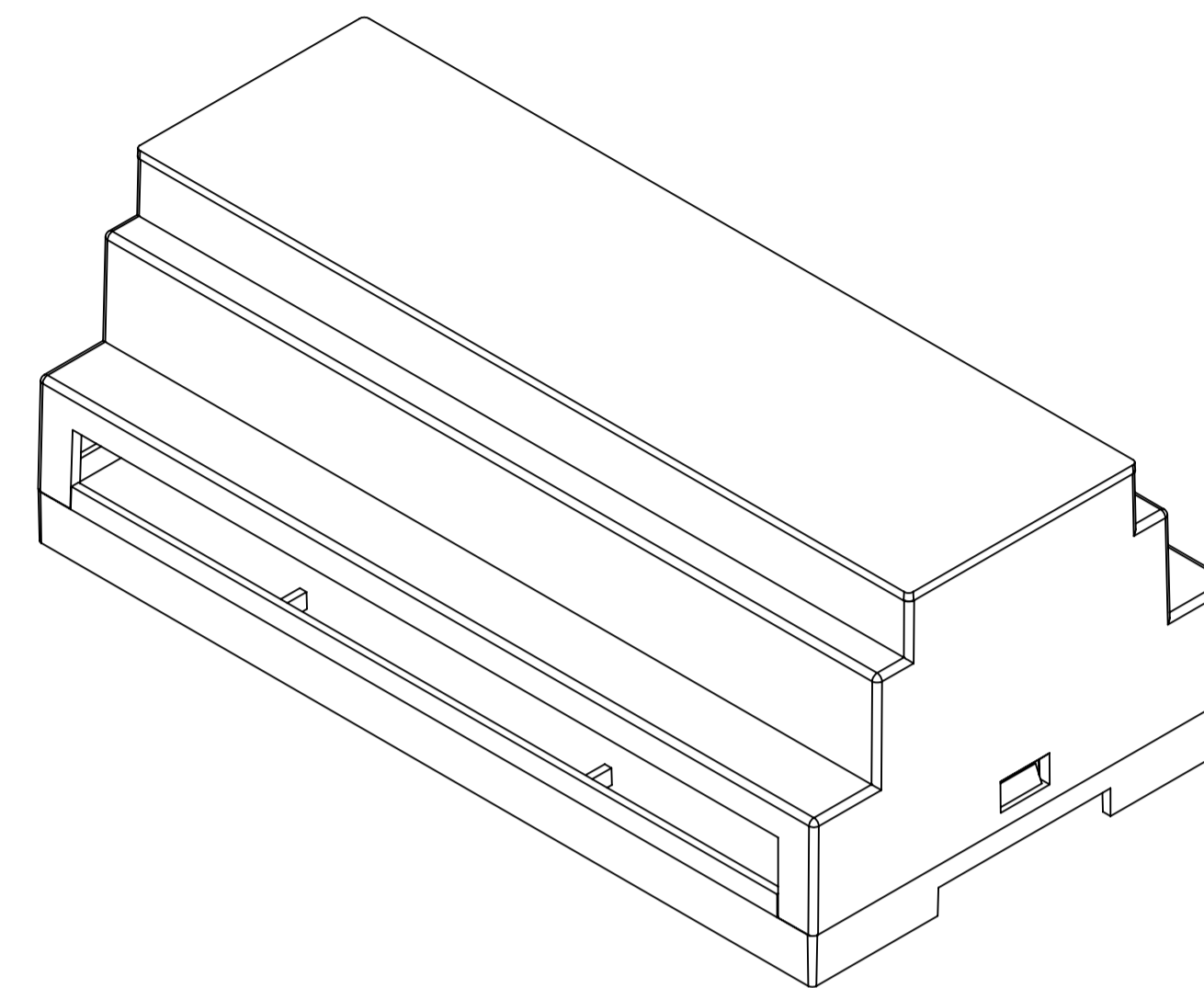
SURFACE-19



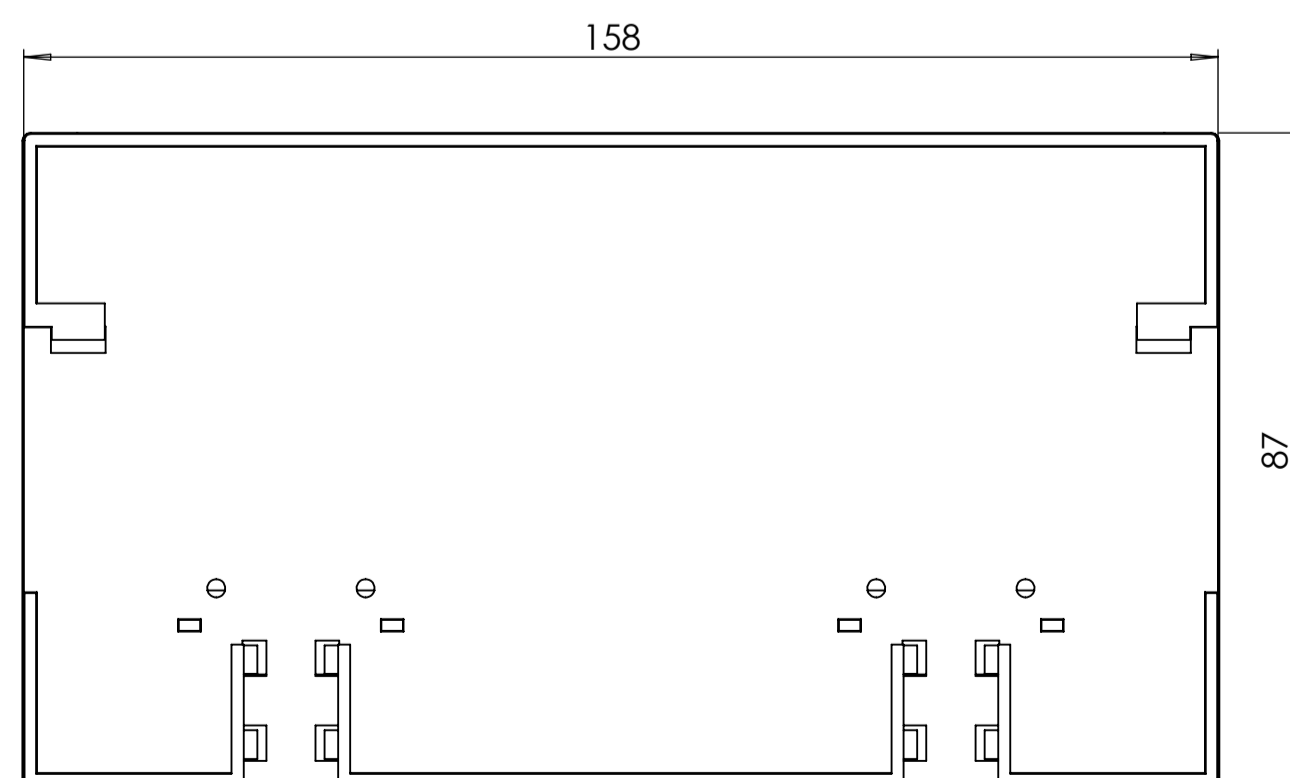
SURFACE-17



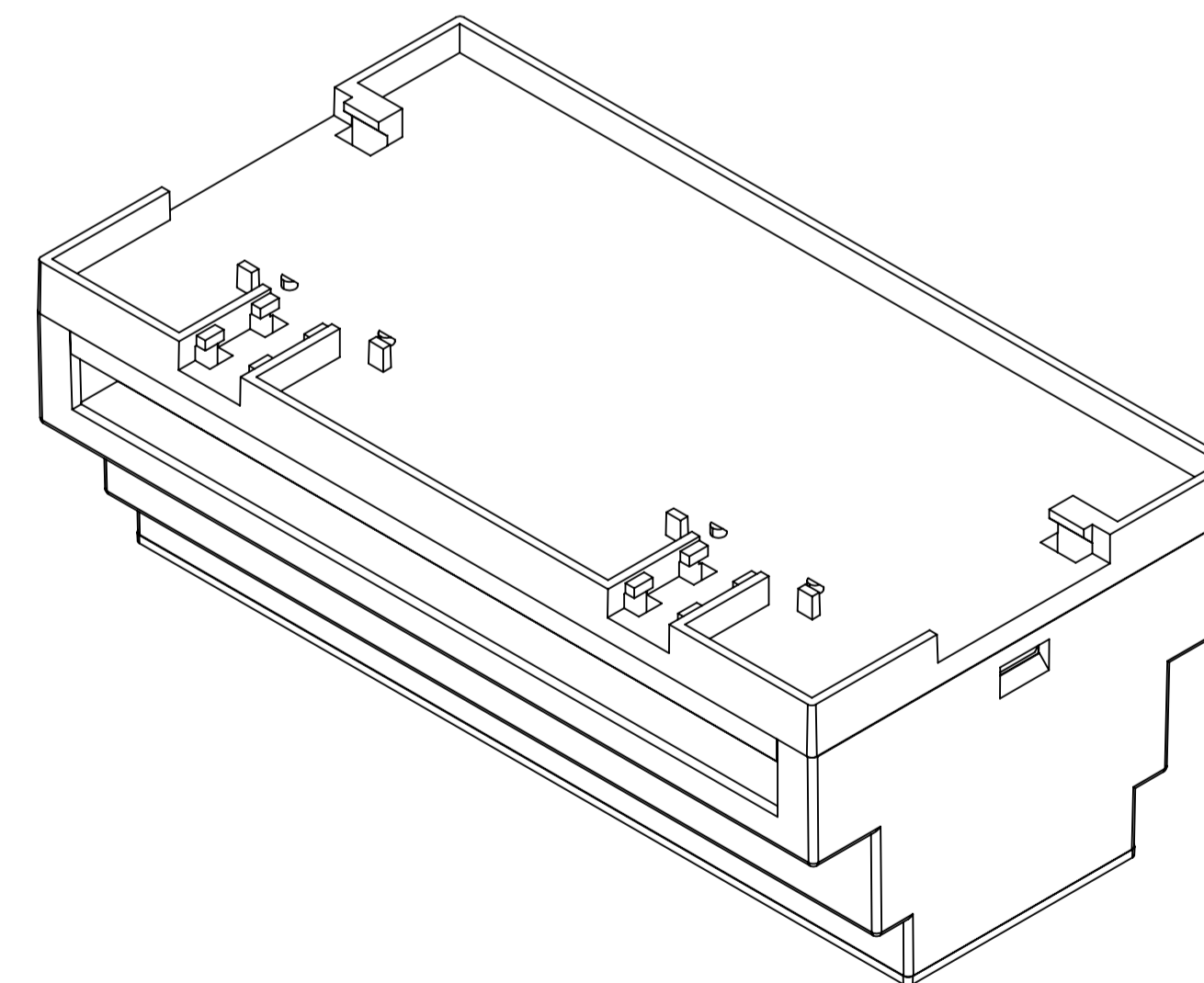
SURFACE-18



SURFACE-16



SURFACE-20



REV. NO.	DATE	REVISED BY	DESCRIPTION OF CHANGE
www.altinkaya.com			
Customer Name:		Customer Ref.:	
Altinkaya Ref.:		Part Name: RT-109-B	
DRAWN	NAME	DATE	Material:
CHECKED	Y. YEL	18.09.2024	Weight:
DIMENSIONAL TOLERANCES UNLESS OTHERWISE SPECIFIED:			SCALE 1:1 UNIT : mm
(DIN 7148)	±0.1	±0.1	±0.2
	±0.1	±0.2	±0.3
		±0.5	
			Dimension(mm)
			120-400mm
			m(medium)