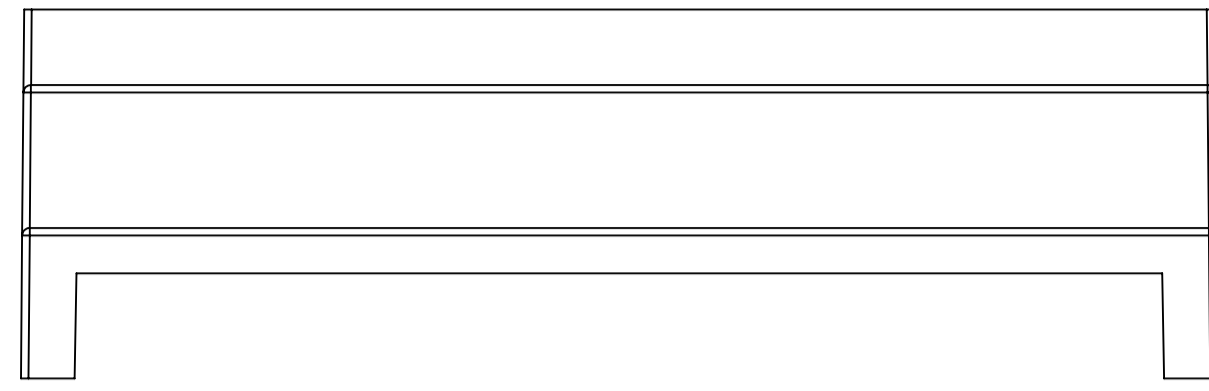
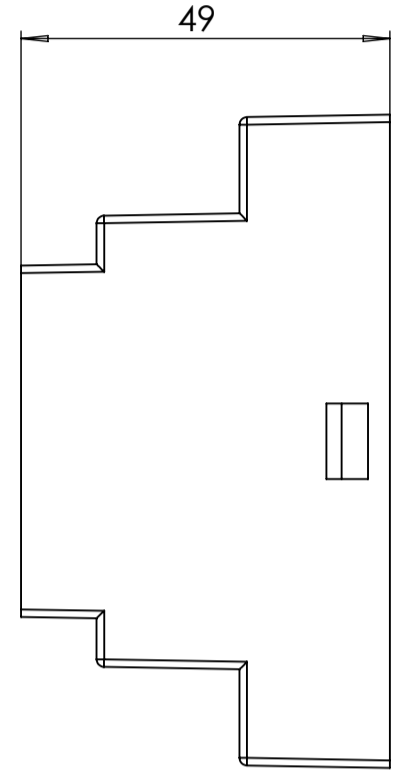


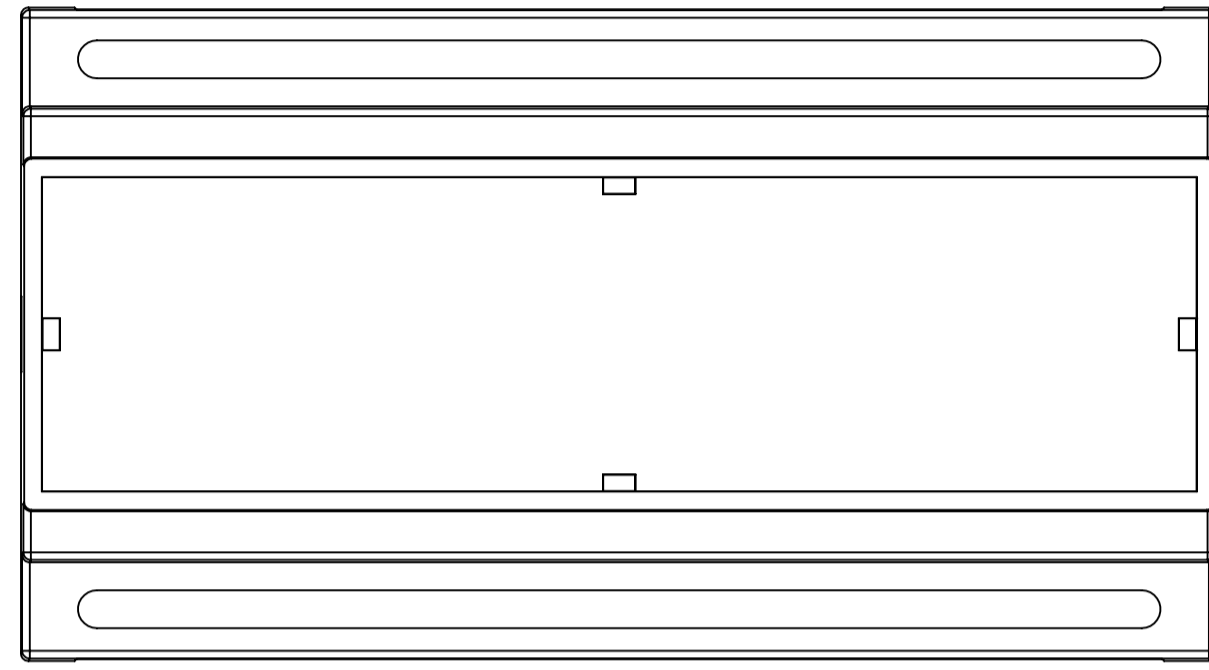
BASE: 6 SURFACE



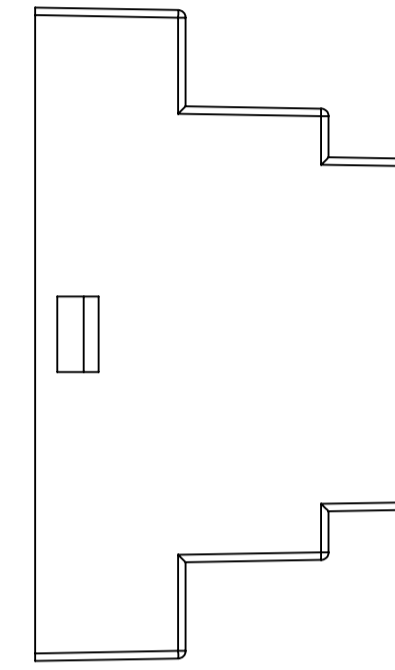
SURFACE-1



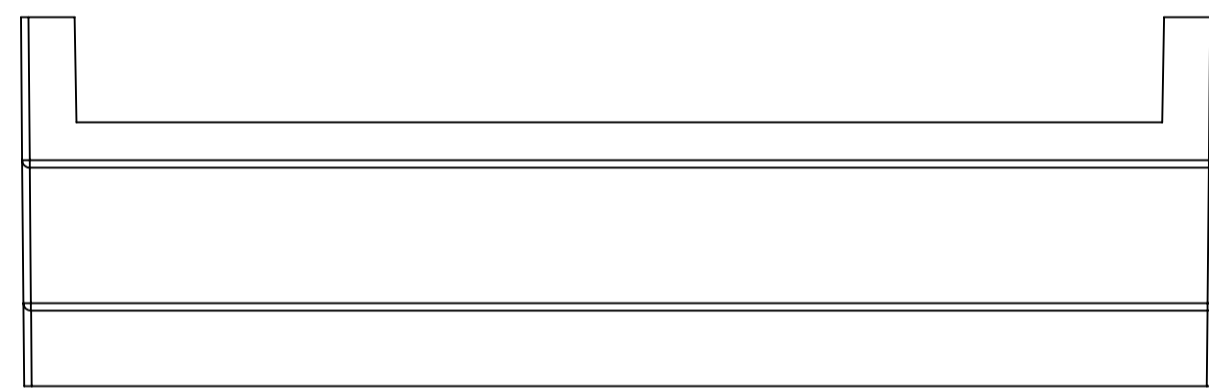
SURFACE-3



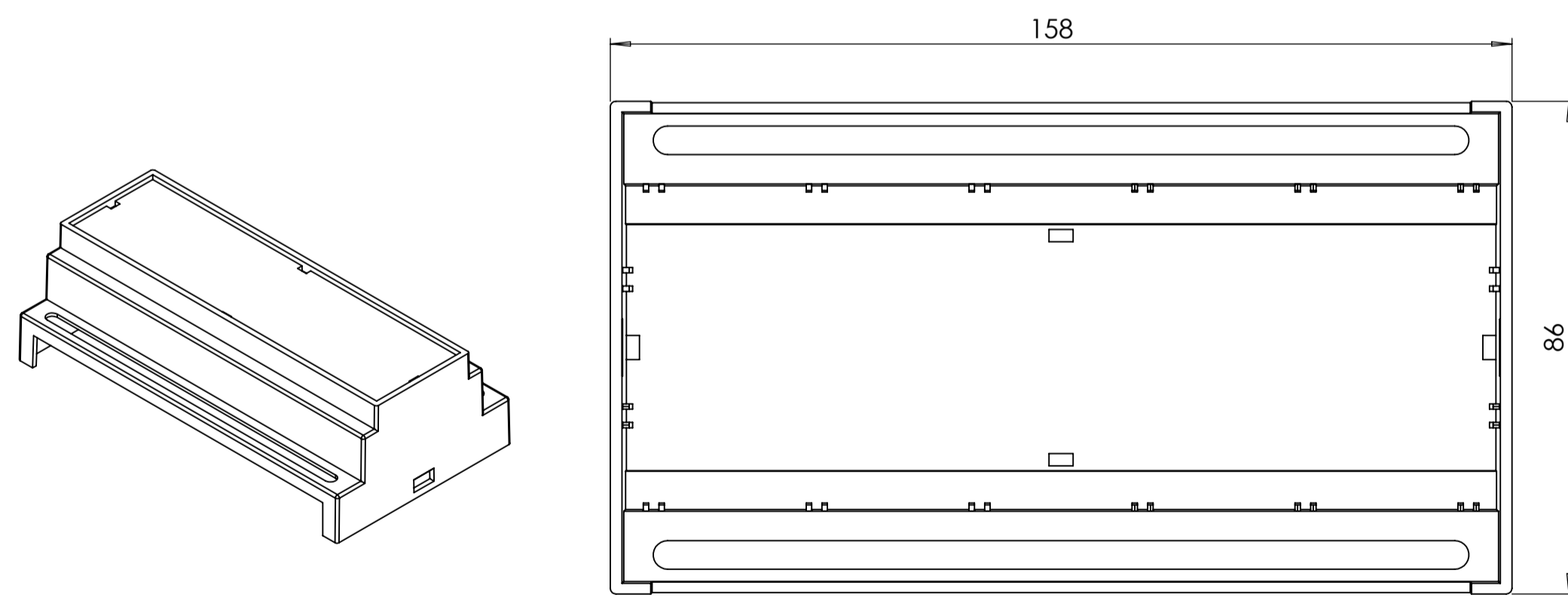
SURFACE-5



SURFACE-4

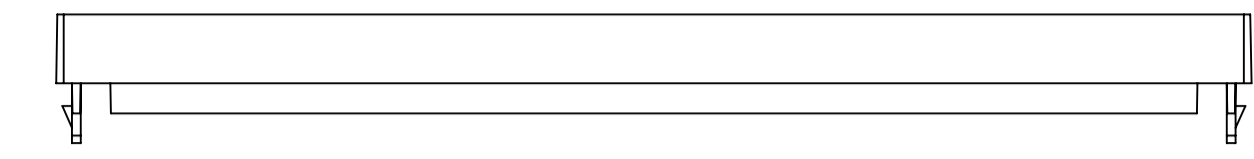


SURFACE-2

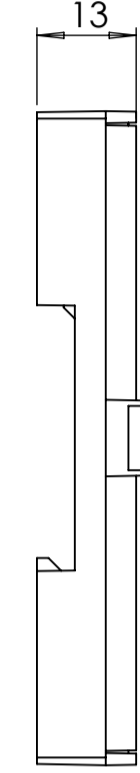


SURFACE-6 (INSIDE)

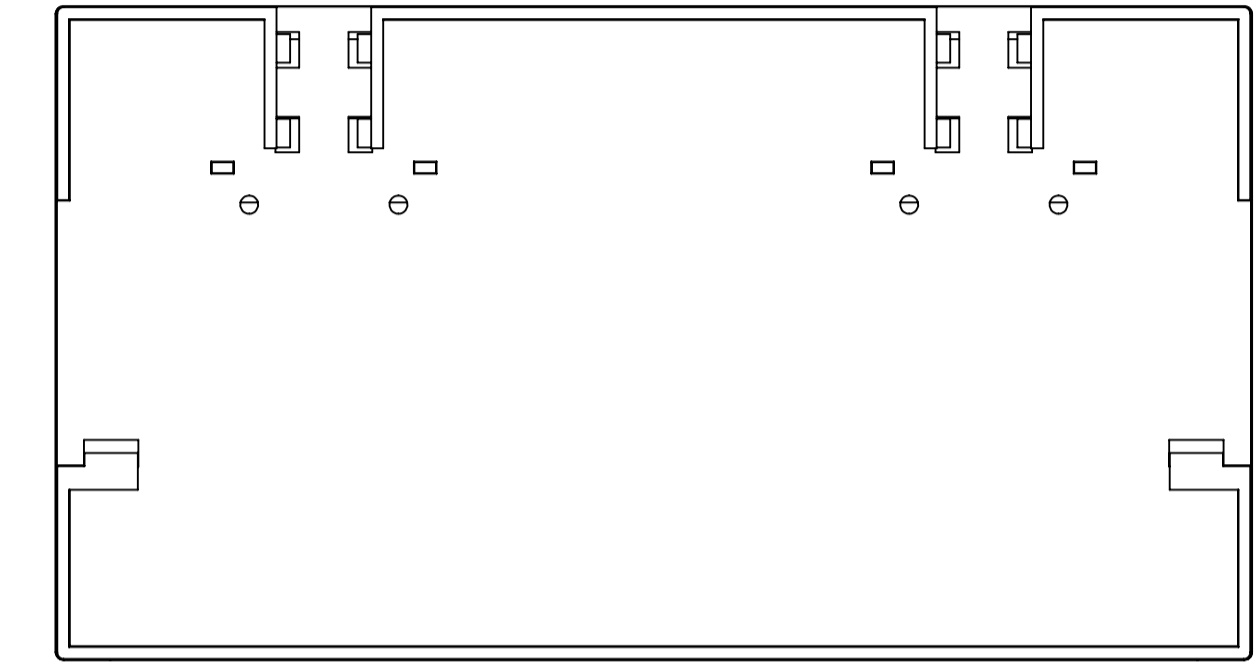
COVER: 6 SURFACE



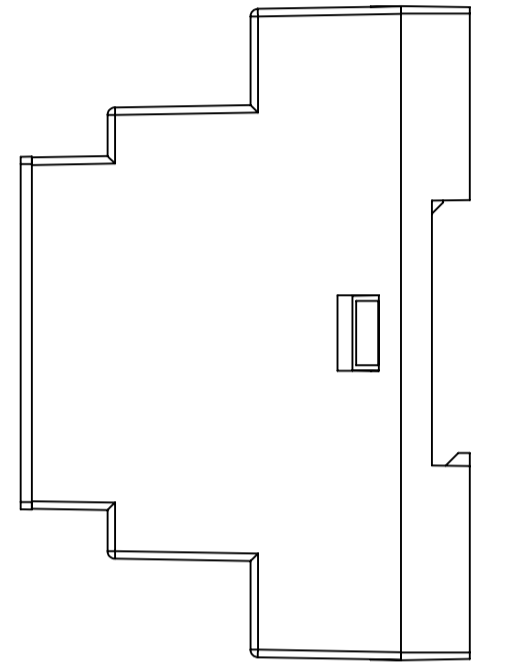
SURFACE-7



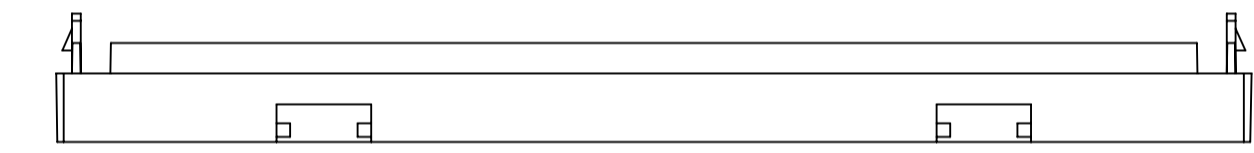
SURFACE-9



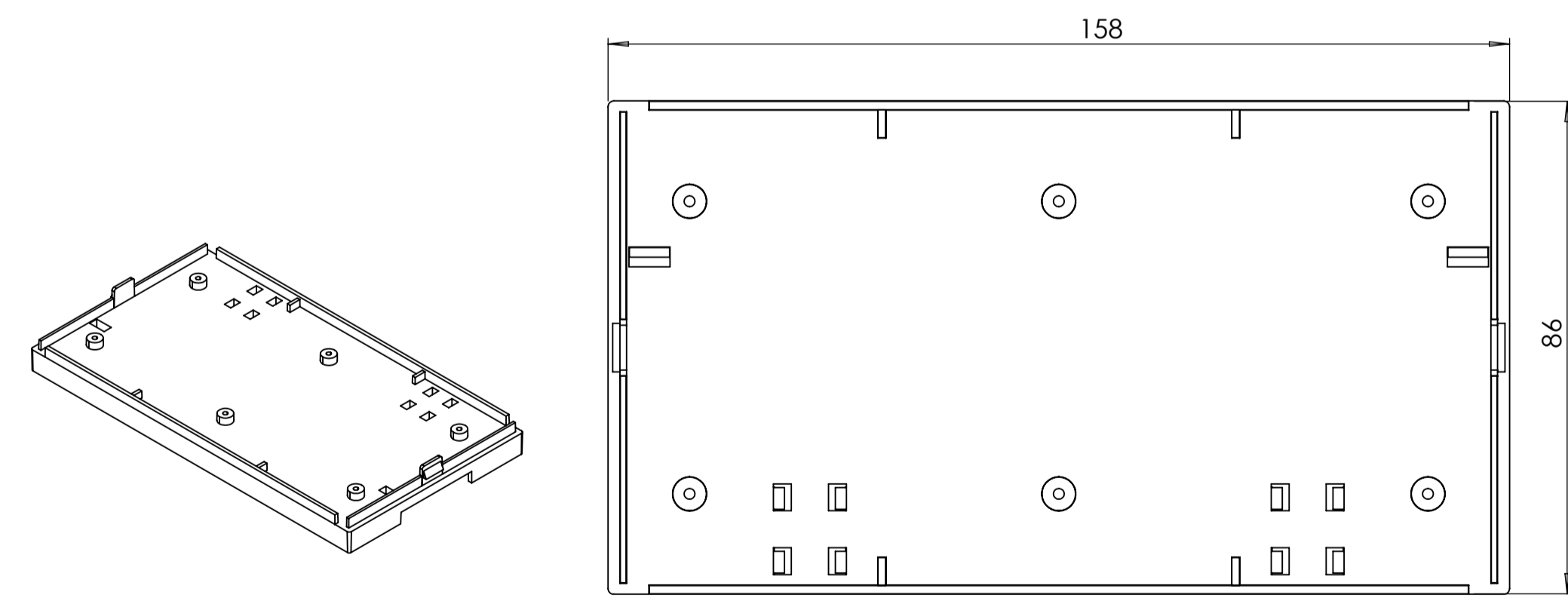
SURFACE-11



SURFACE-10

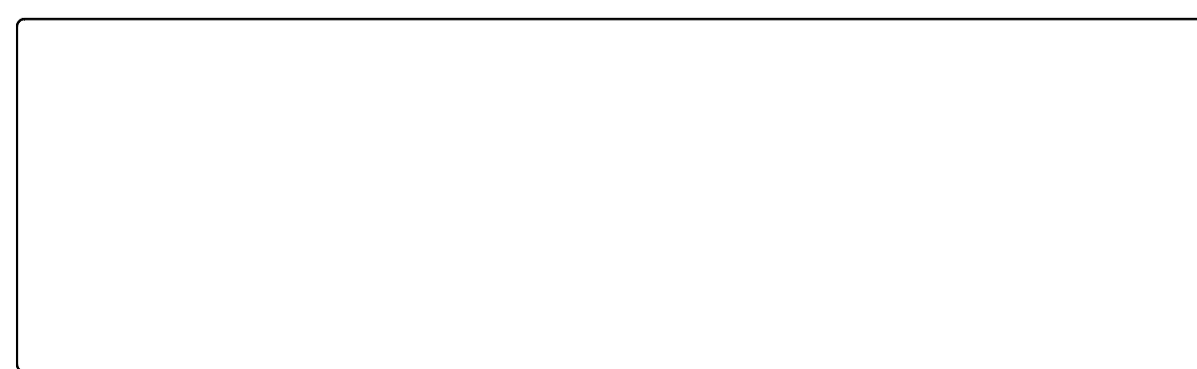
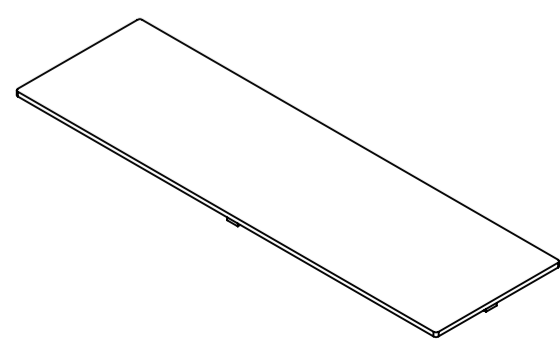


SURFACE-8

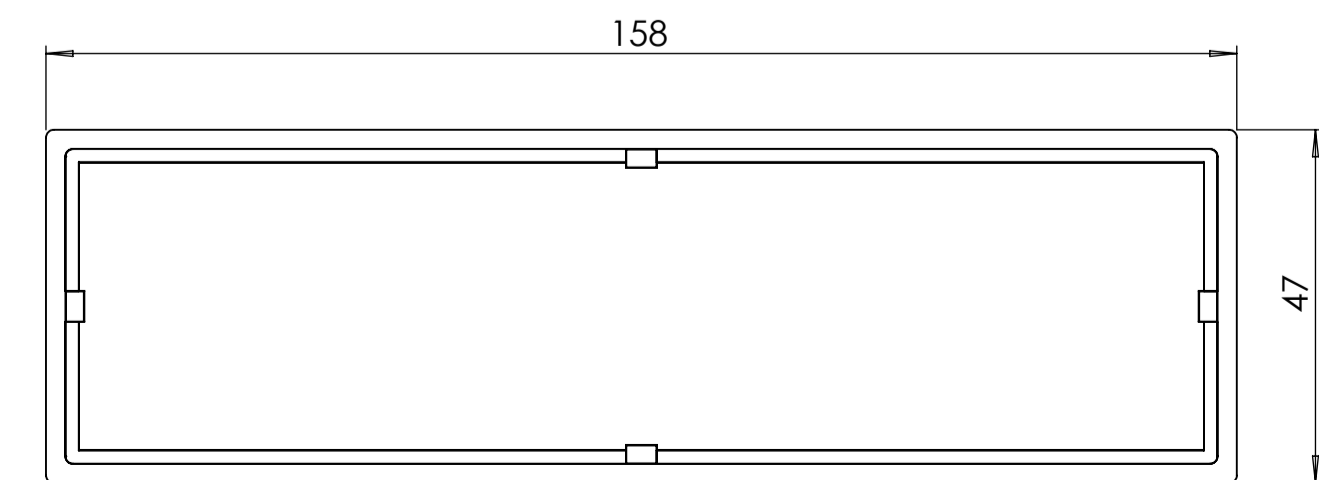
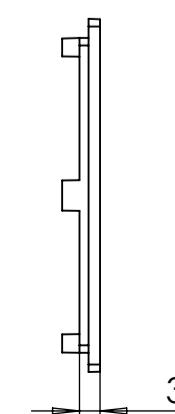


SURFACE-12 (INSIDE)

PANEL: 2 SURFACE



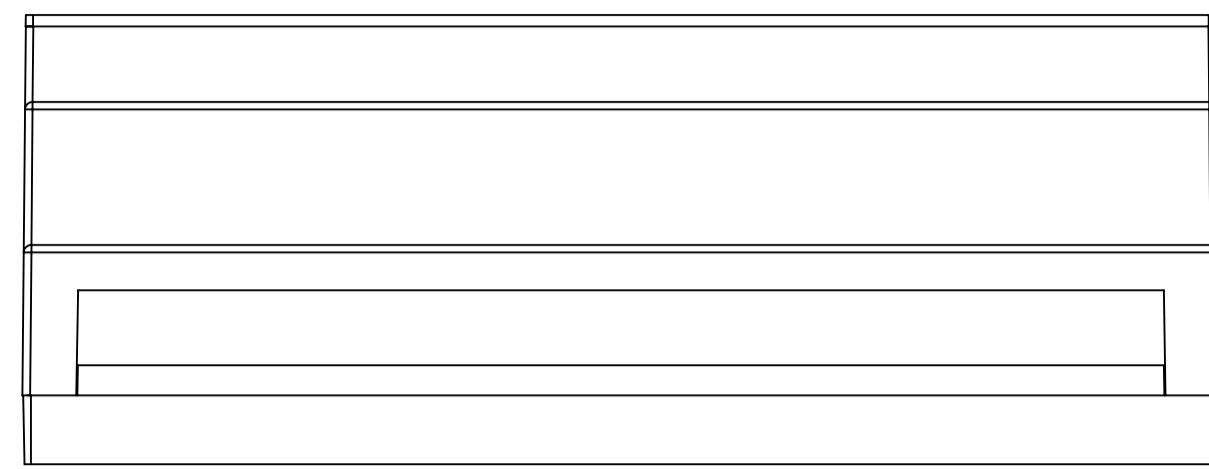
SURFACE-13



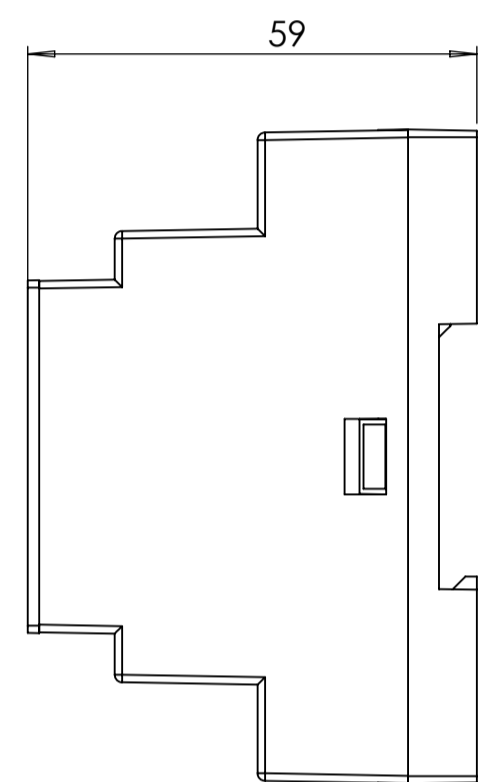
SURFACE-14 (INSIDE)

REV. NO.	DATE	REVISED BY	DESCRIPTION OF CHANGE
			www.altinkaya.com
Customer Name:		Customer Ref.:	
Altinkaya Ref.:		Part Name: RT-109-C	
DRAWN	NAME	DATE	Material:
CHECKED	Y. YEL	18.09.2024	Weight:
DIMENSIONAL TOLERANCES UNLESS OTHERWISE SPECIFIED:			SCALE 1:1 UNIT : mm
[R407148]	±0.1	±0.1	±0.2
	±0.3	±0.5	

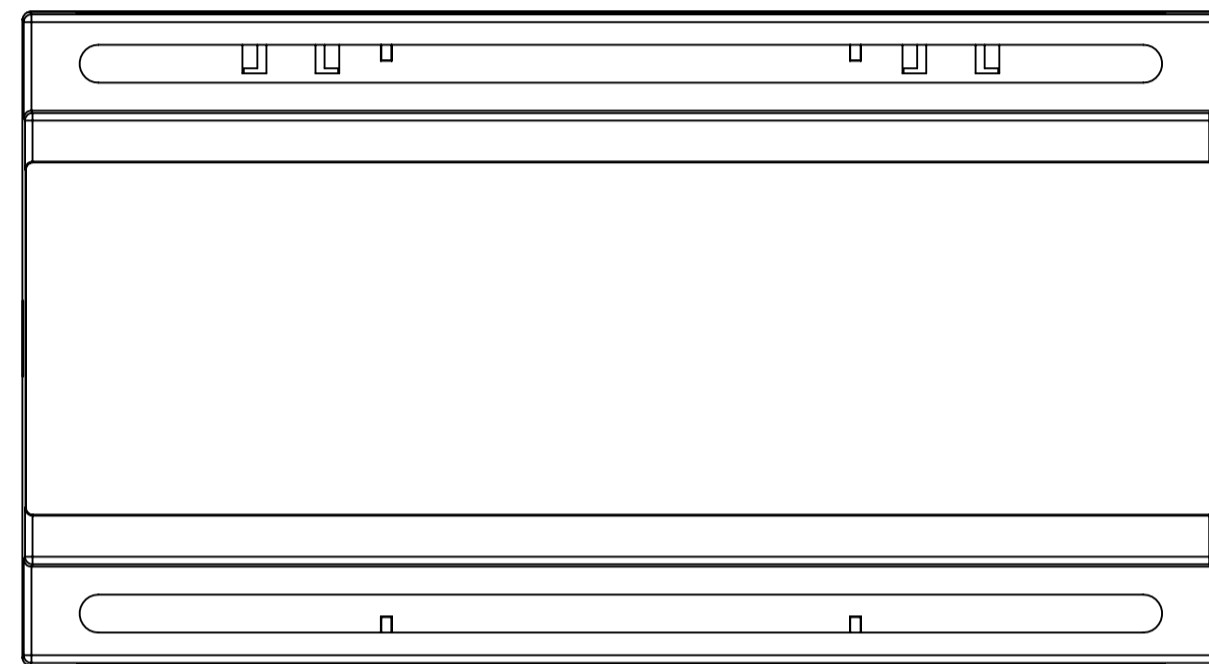
RT-109-C MACHINED TOGETHER



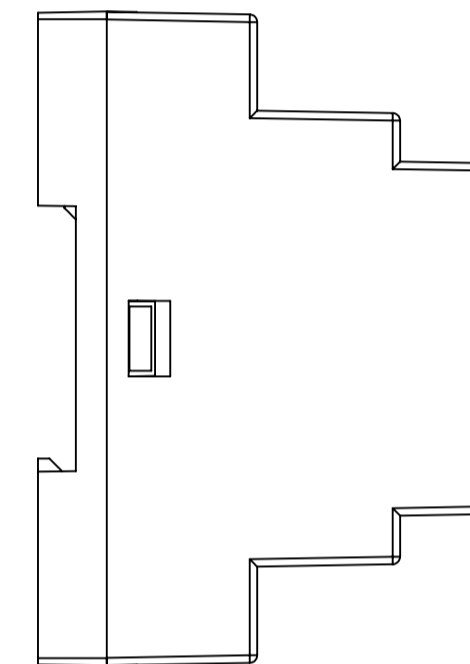
SURFACE-15



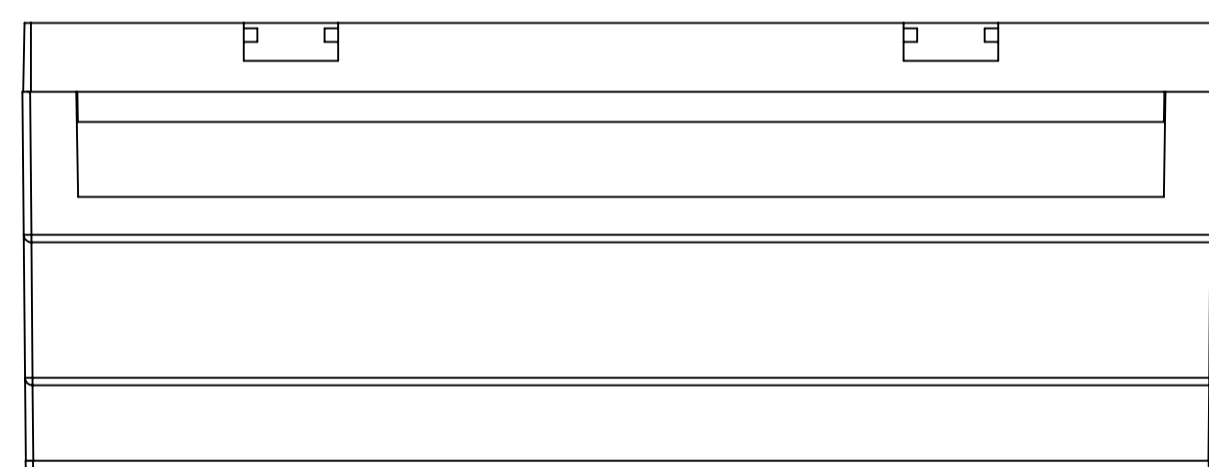
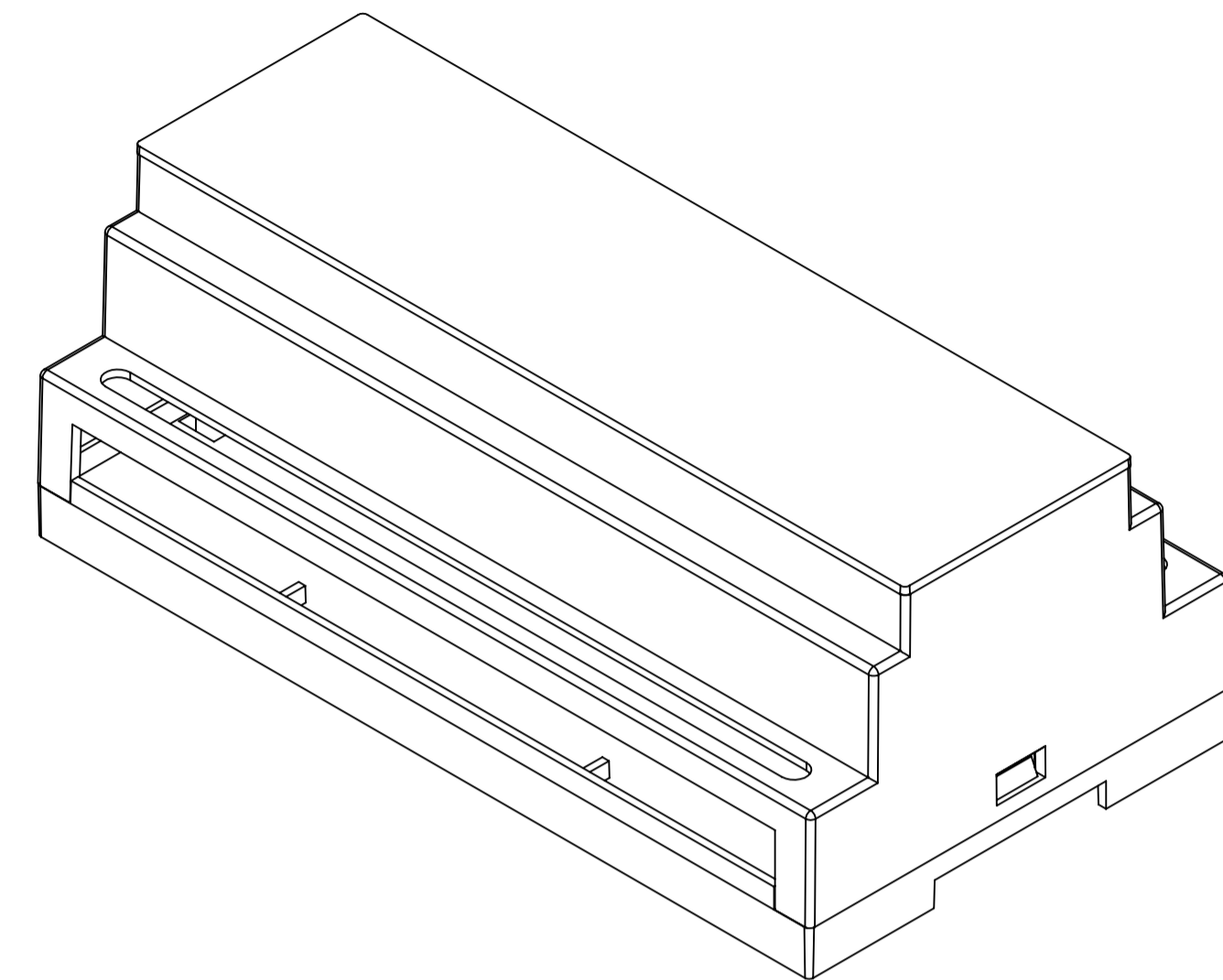
SURFACE-17



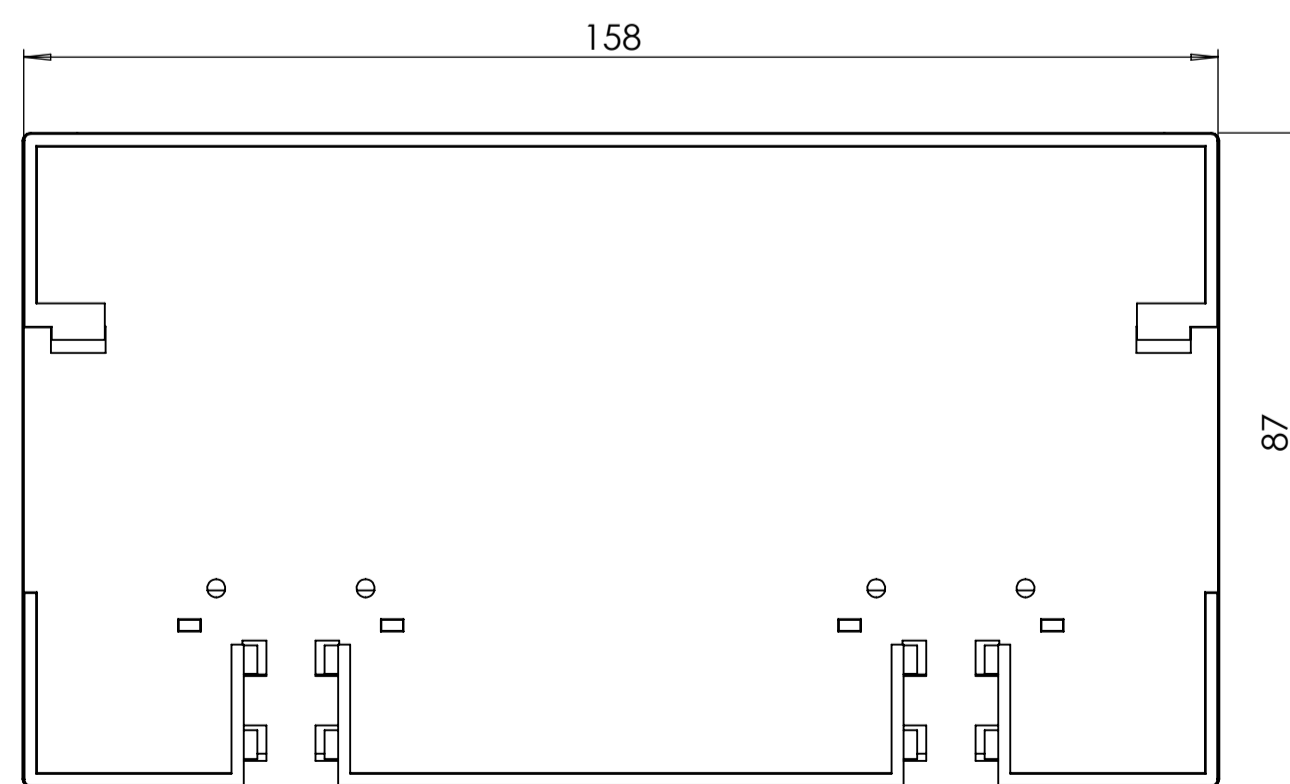
SURFACE-19



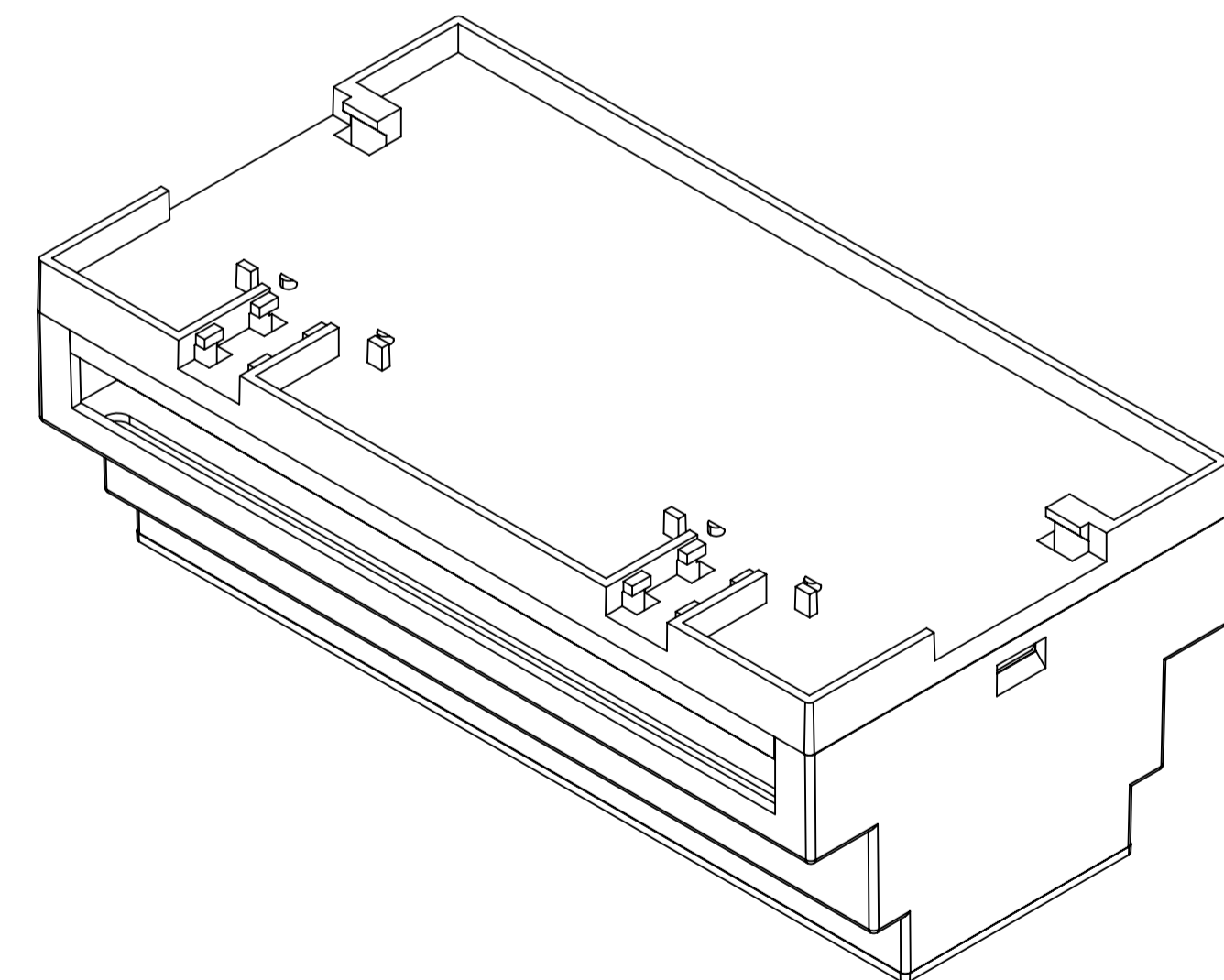
SURFACE-18



SURFACE-16



SURFACE-20



REV. NO.	DATE	REVISED BY	DESCRIPTION OF CHANGE
ALTINKAYA Electronic Enclosures & Components			
Customer Name:		Customer Ref.:	
Altinkaya Ref.:		Part Name: RT-109-C	
DRAWN	NAME	DATE	Drawn From:
CHECKED	Y. YEL	18.09.2024	Material:
DIMENSIONAL TOLERANCES UNLESS OTHERWISE SPECIFIED:			SCALE 1:1 UNIT : mm
[R&T7148]	±0.1	±0.1	±0.2
	±0.1	±0.1	±0.3
		±0.2	±0.5
			±0.5