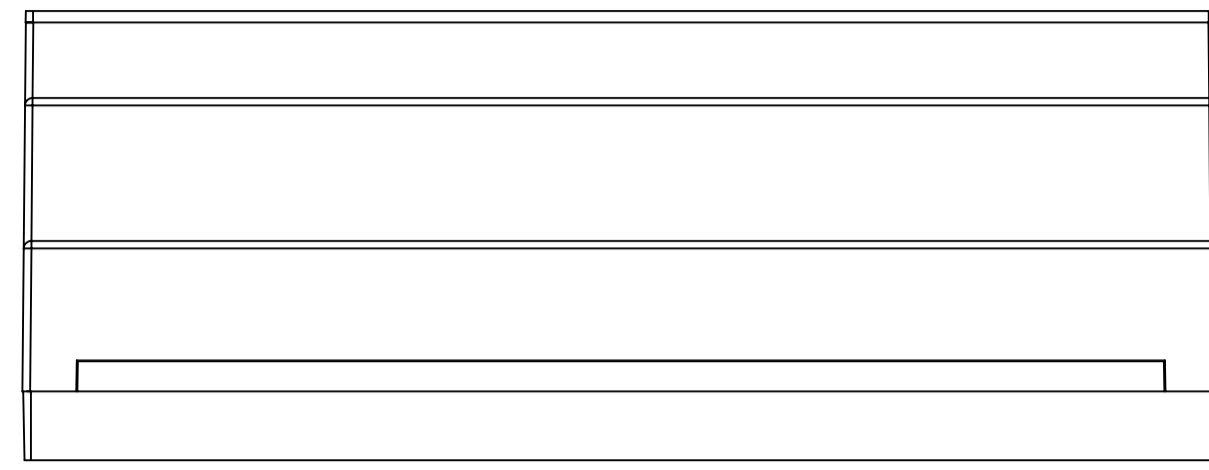
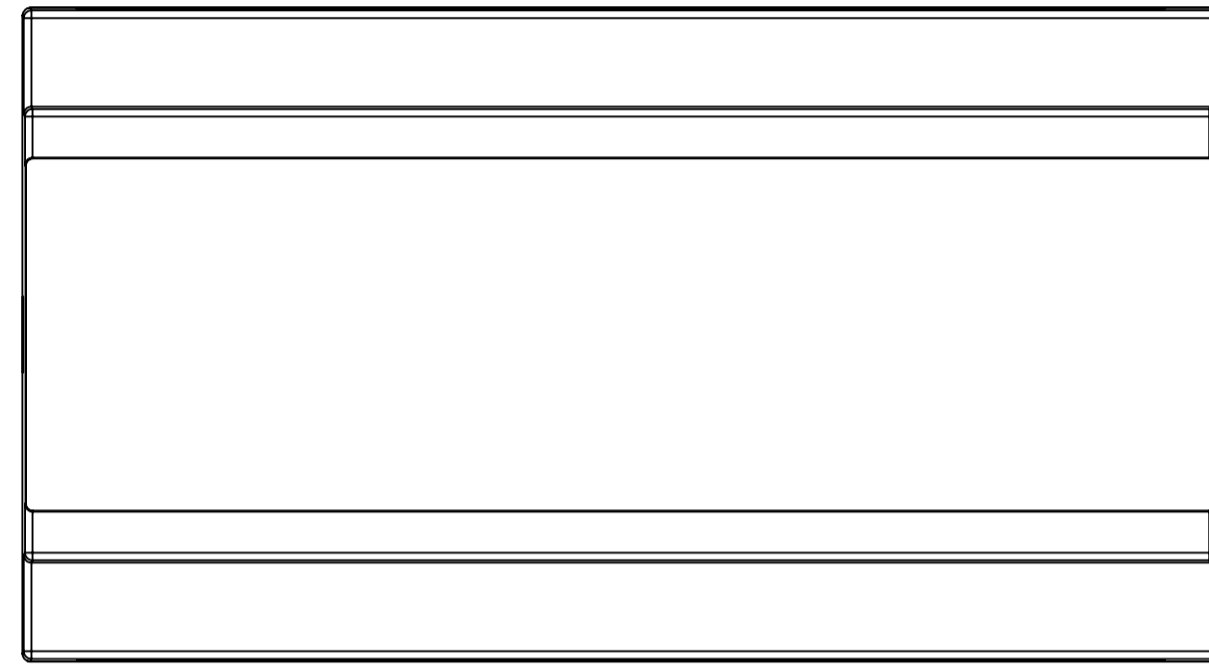




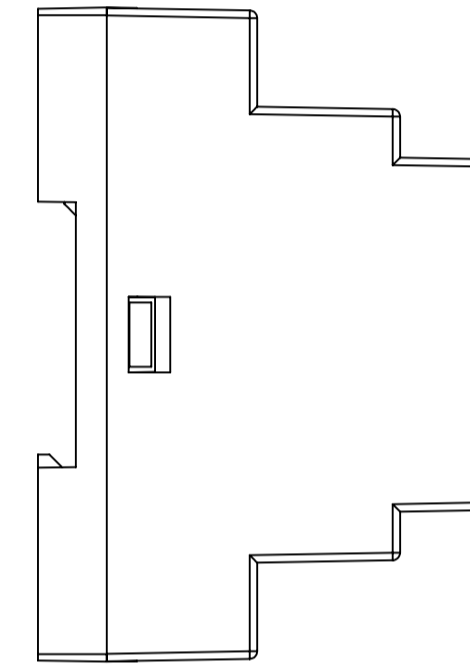
# RT-109-A MACHINED TOGETHER



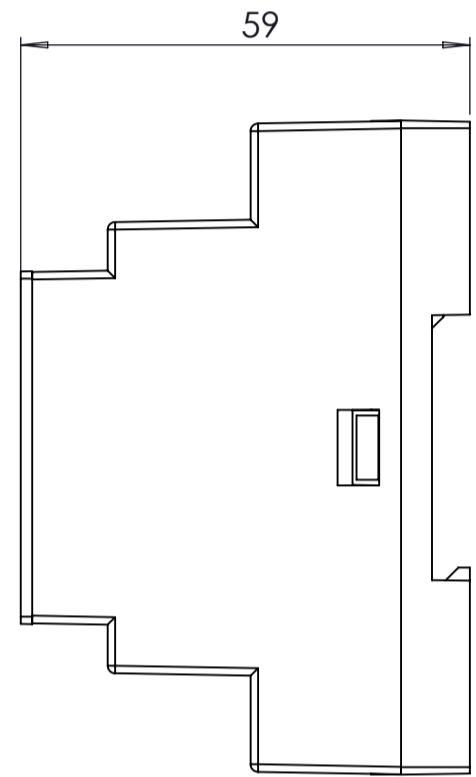
SURFACE-15



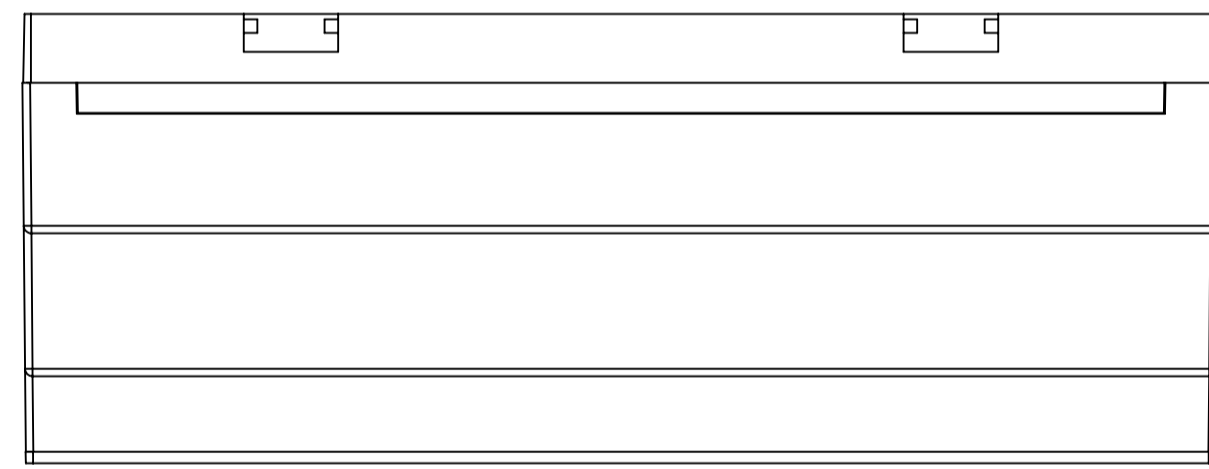
SURFACE-19



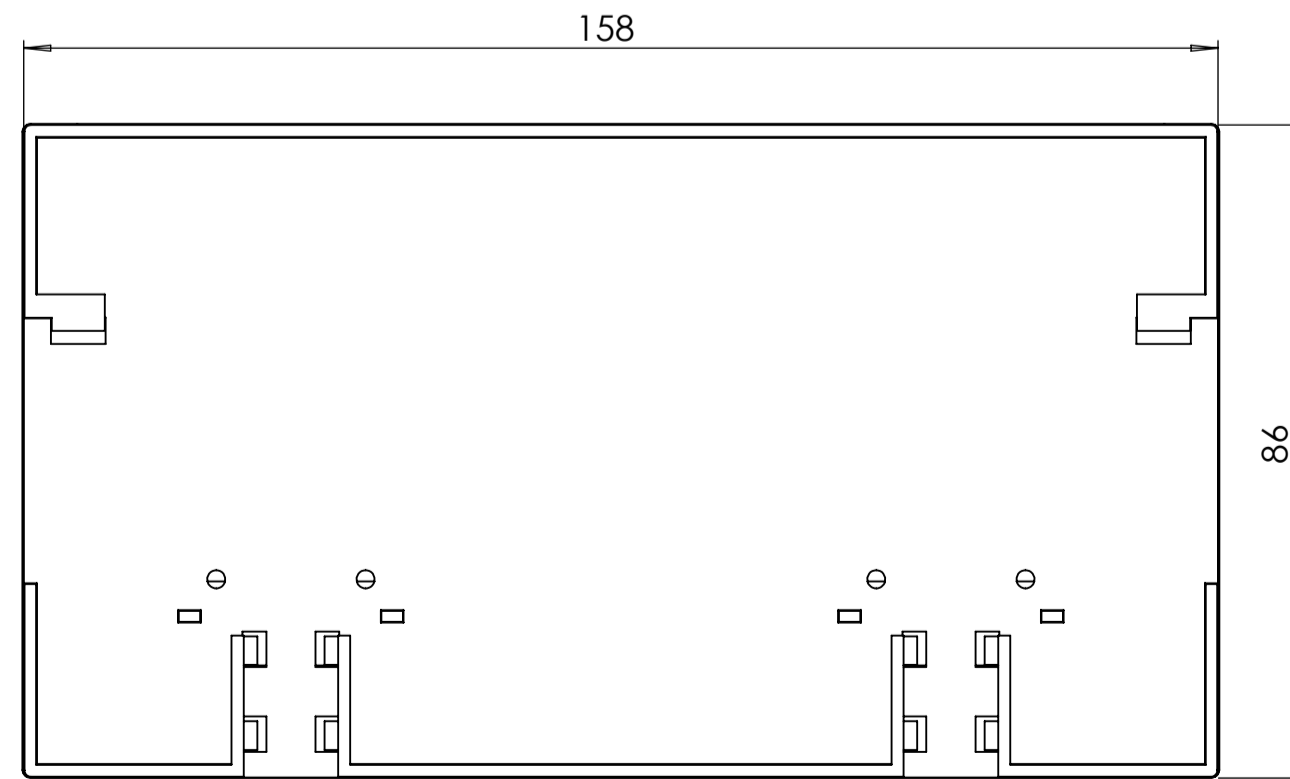
SURFACE-18



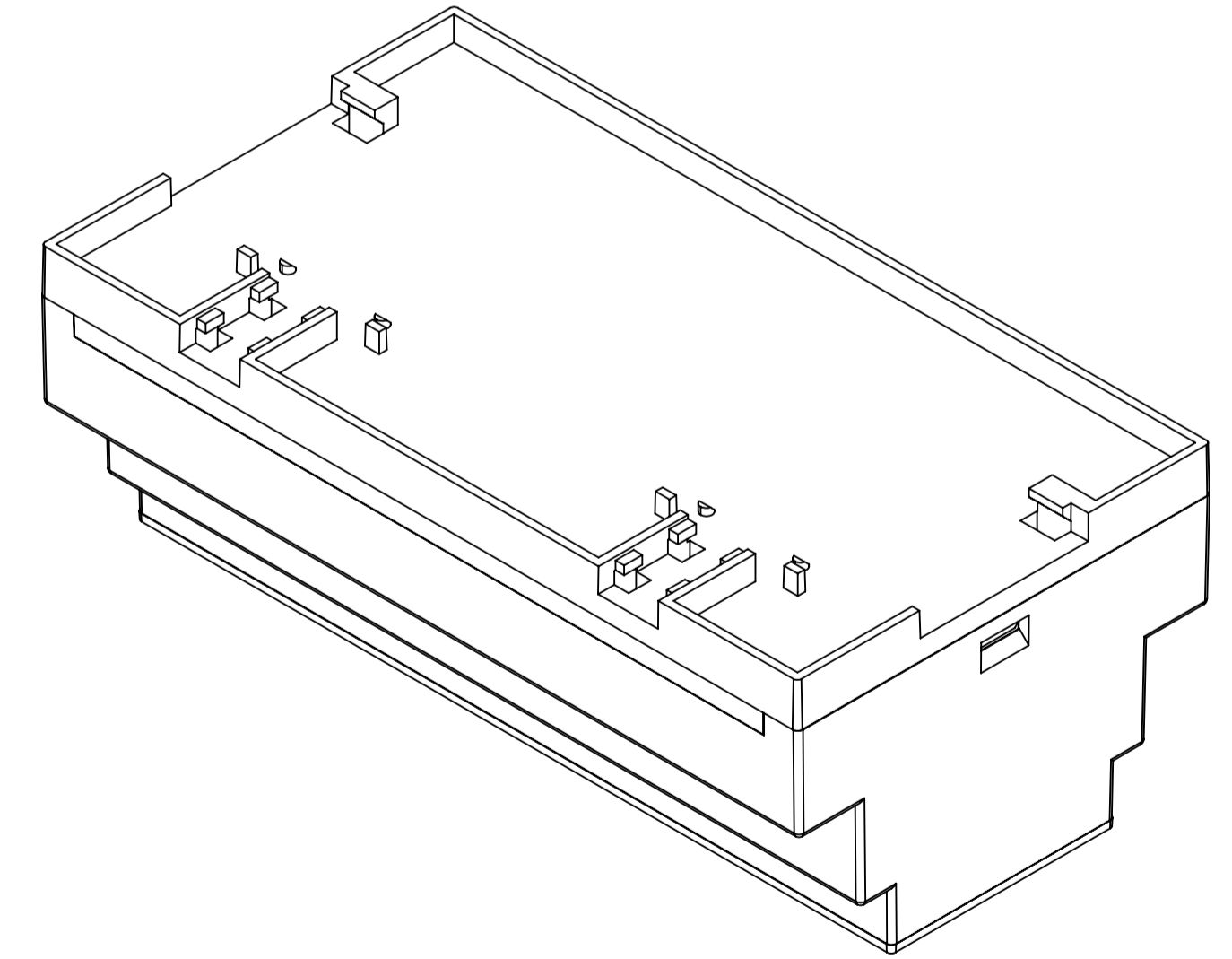
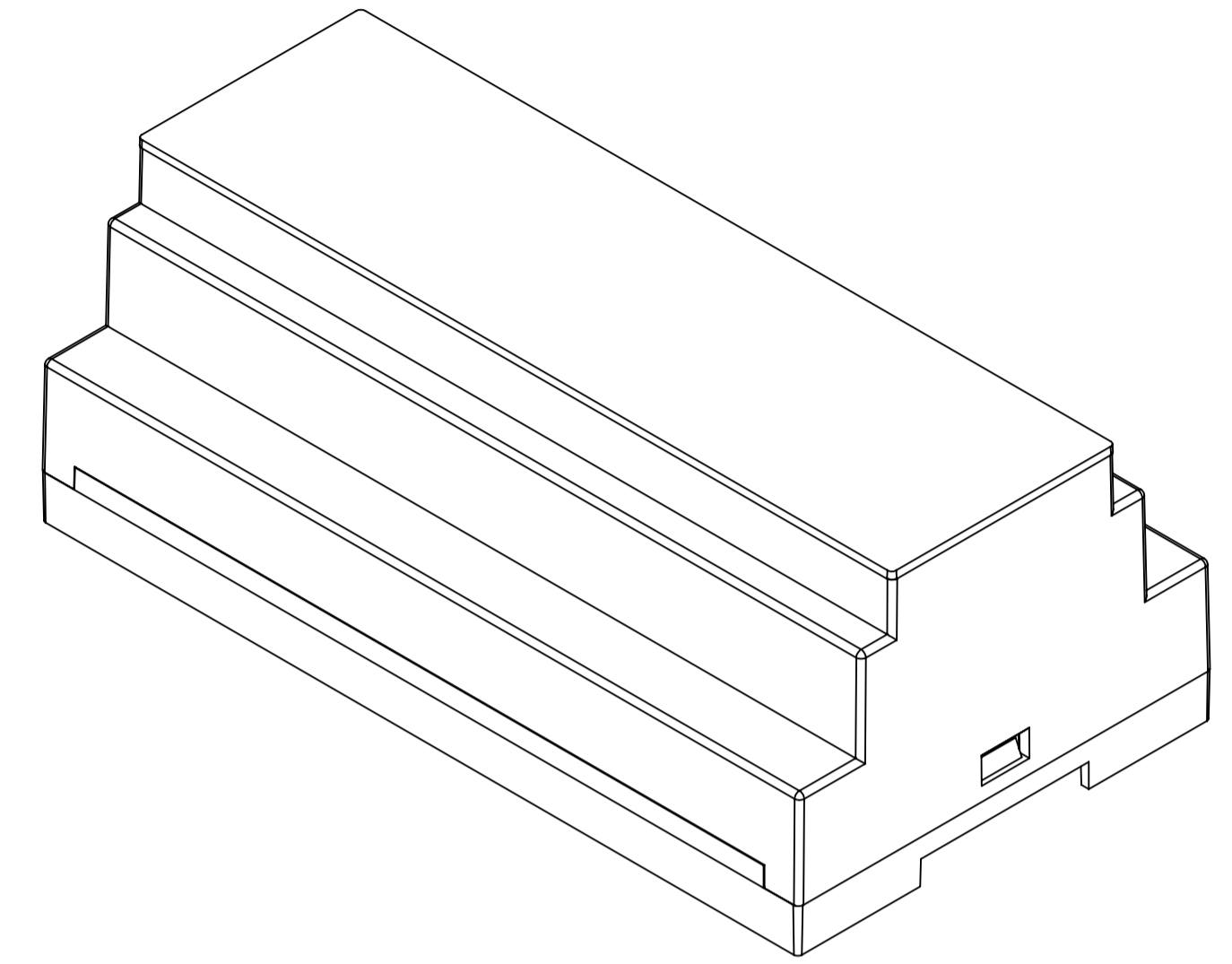
SURFACE-17



SURFACE-16



SURFACE-20



REV. NO.	DATE	REVISED BY	DESCRIPTION OF CHANGE
<b>ALTINKAYA</b> Electronic Enclosures & Components			<a href="http://www.altinkaya.com">www.altinkaya.com</a>
Customer Name:		Customer Ref.:	
Altinkaya Ref.:		Part Name: RT-109-A	
DRAWN	NAME	DATE	Drawn From:
CHECKED	Y. YEL	18.09.2024	Material:
DIMENSIONAL TOLERANCES UNLESS OTHERWISE SPECIFIED:			Weight:
(mm)	±0.1	±0.1	±0.2
(mm)	±0.1	±0.2	±0.3
(mm)	±0.1	±0.2	±0.5
SCALE: 1:1			UNIT: mm
Dimension (mm)			Dimension (mm)
m (medium)			m (medium)
SHEET 2 OF 2			A1