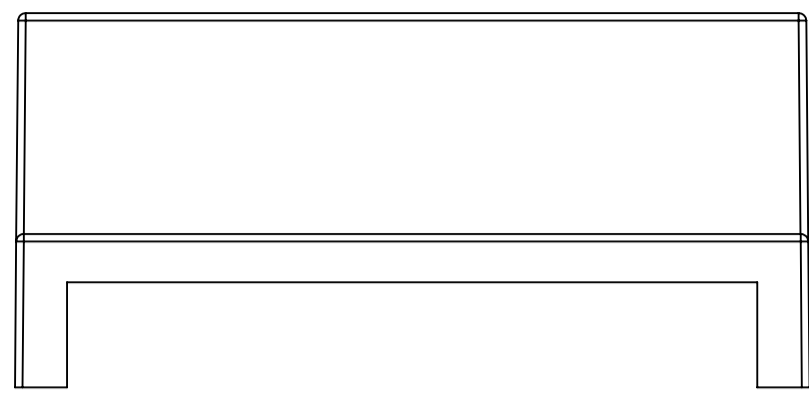
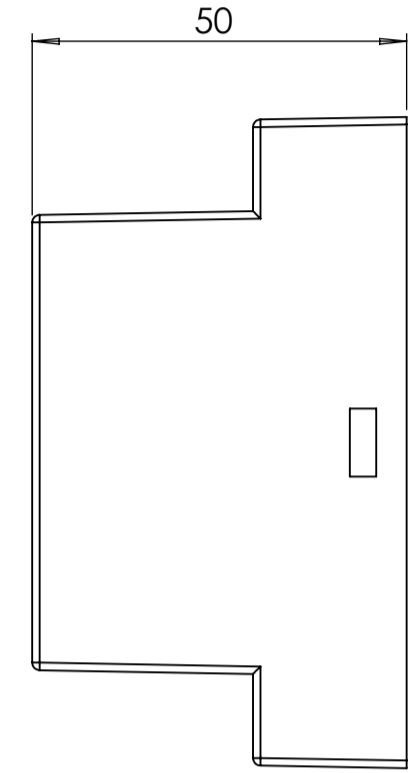


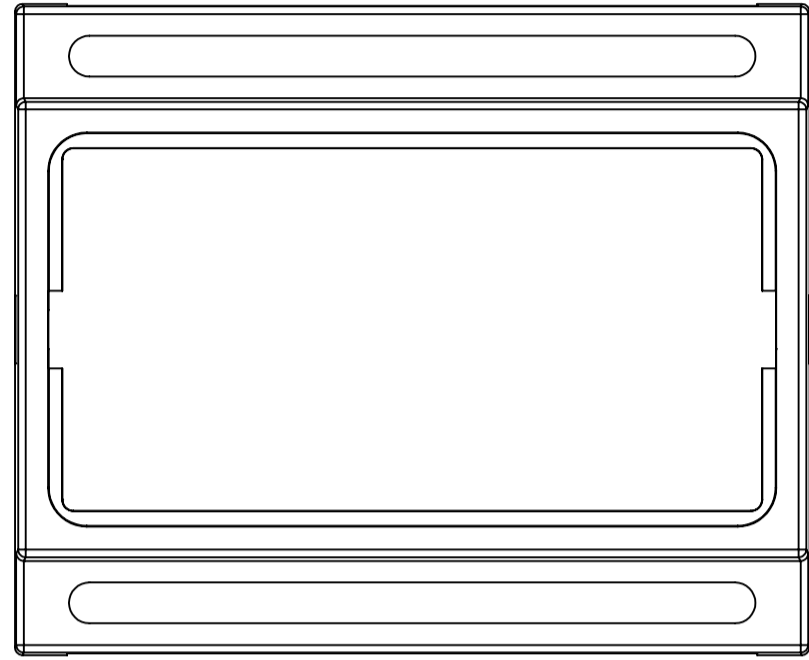
BASE: 6 SURFACE



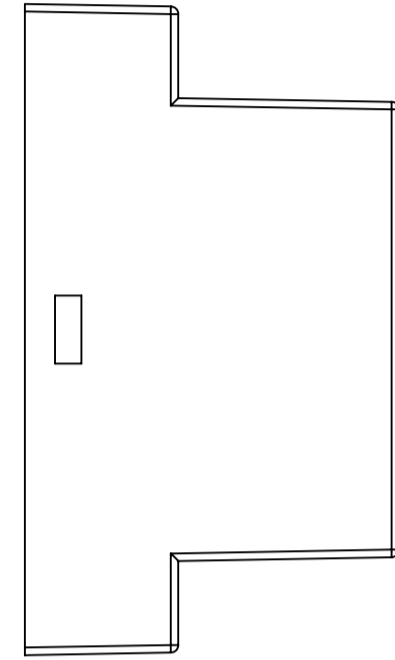
SURFACE-1



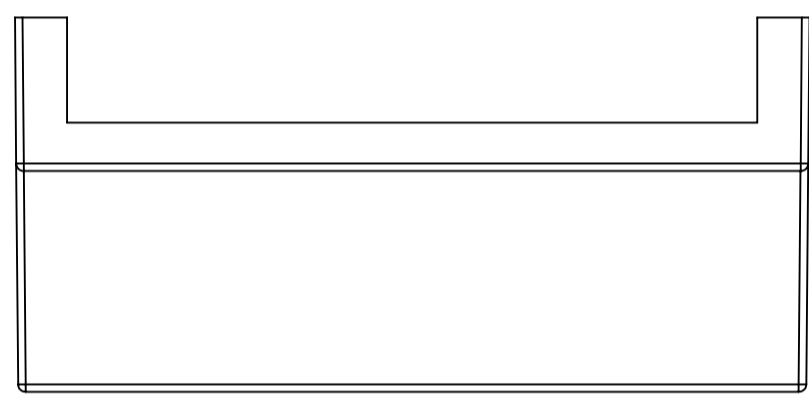
SURFACE-3



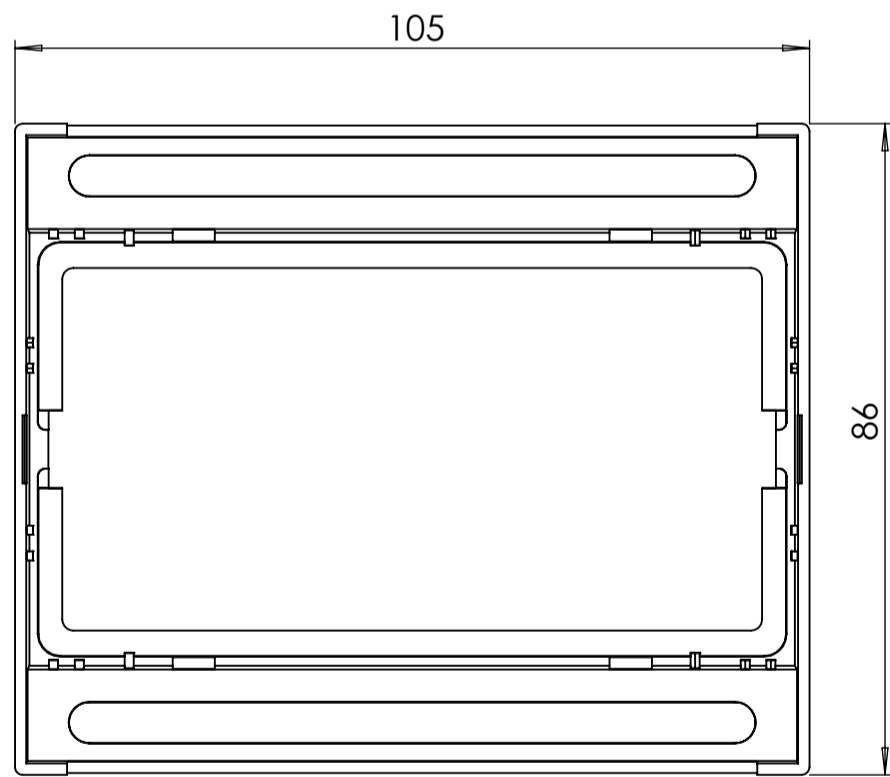
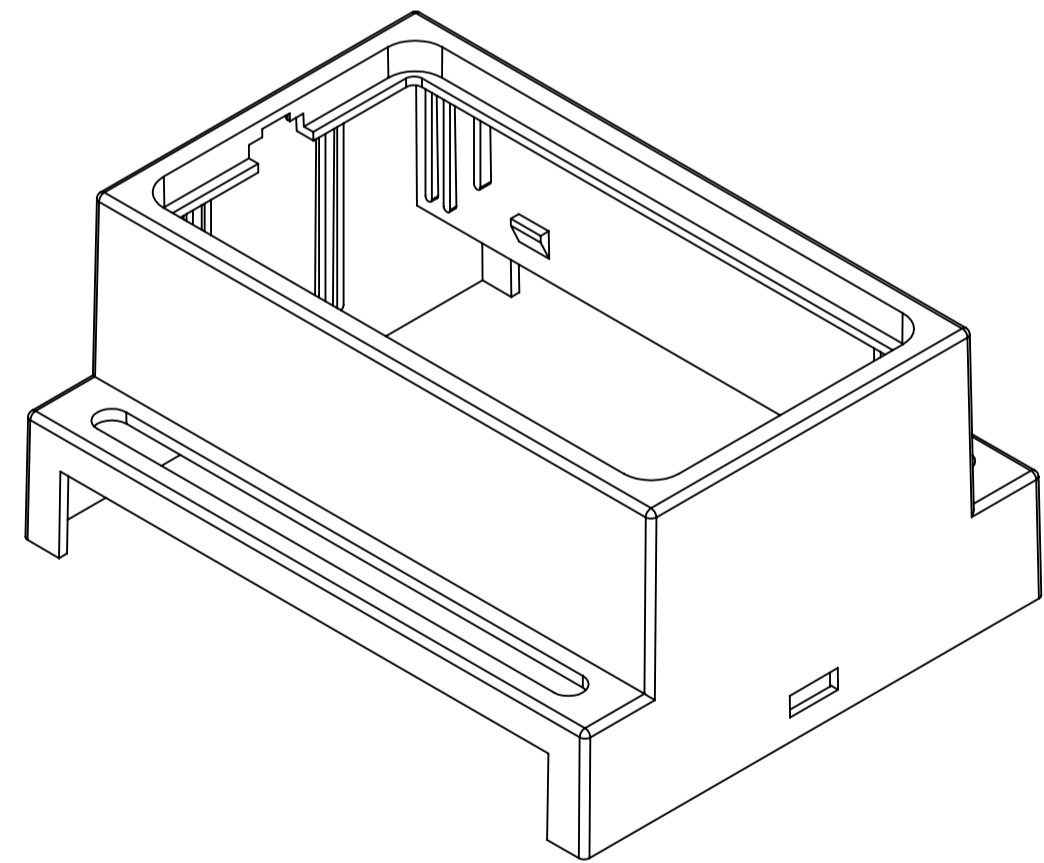
SURFACE-5



SURFACE-4

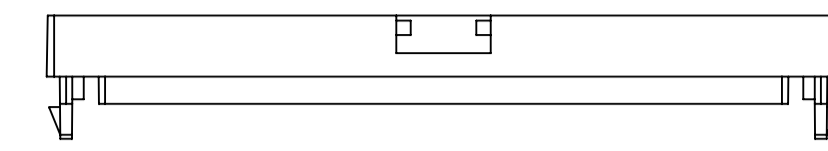


SURFACE-2

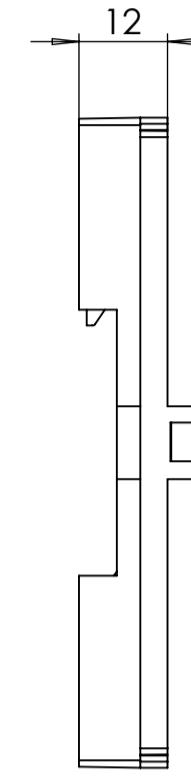


SURFACE-6 (INSIDE)

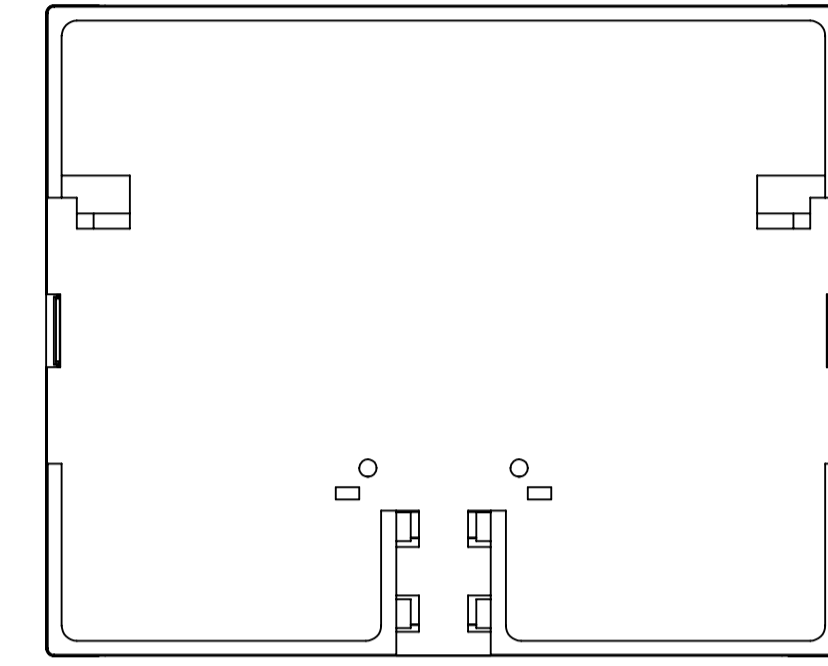
COVER: 6 SURFACE



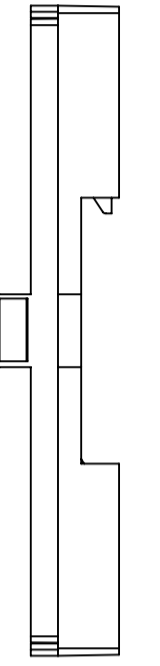
SURFACE-7



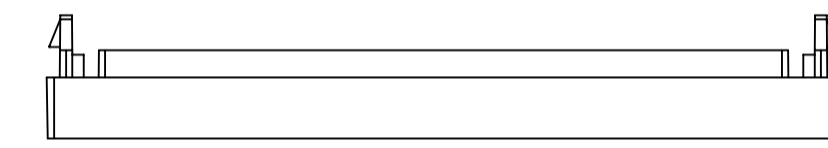
SURFACE-9



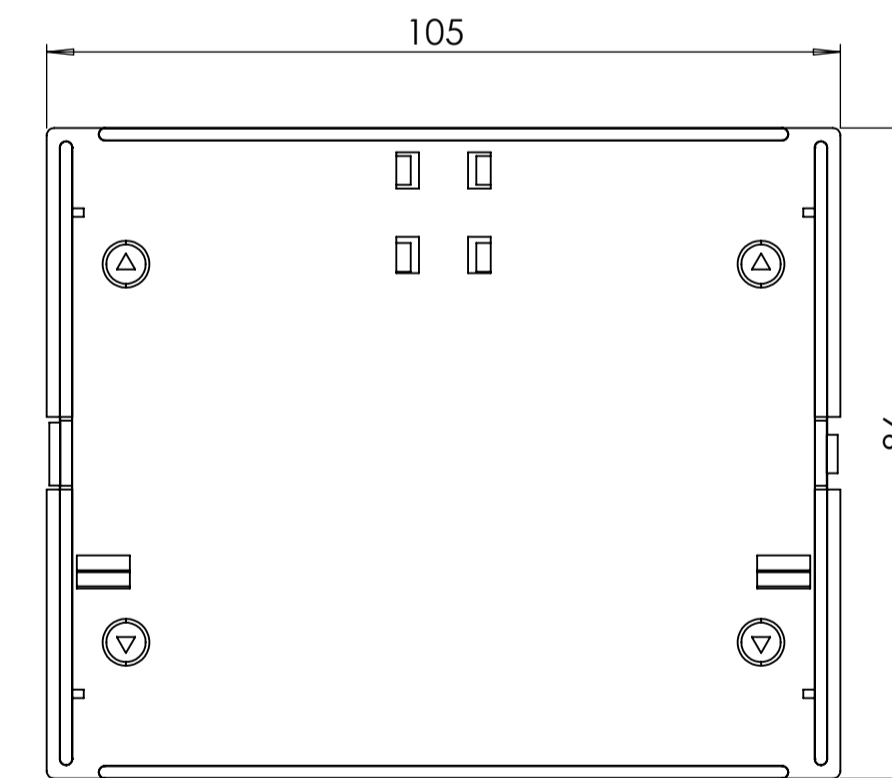
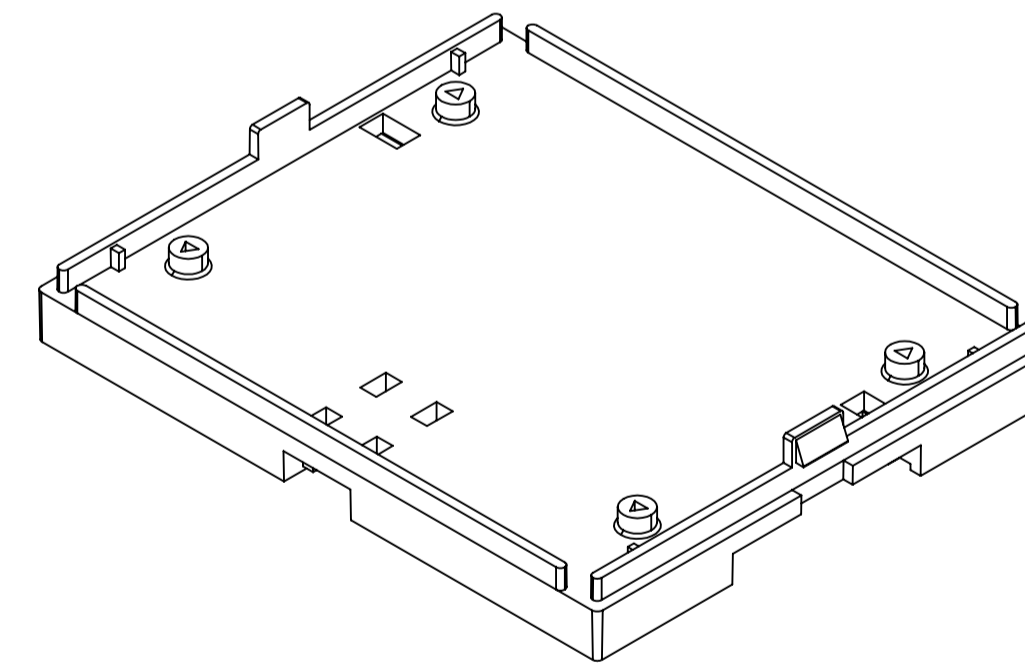
SURFACE-11



SURFACE-10

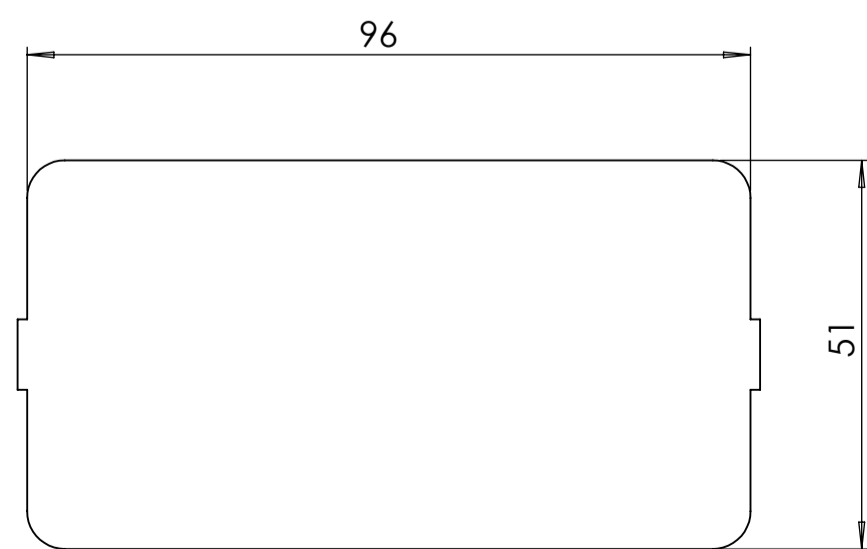
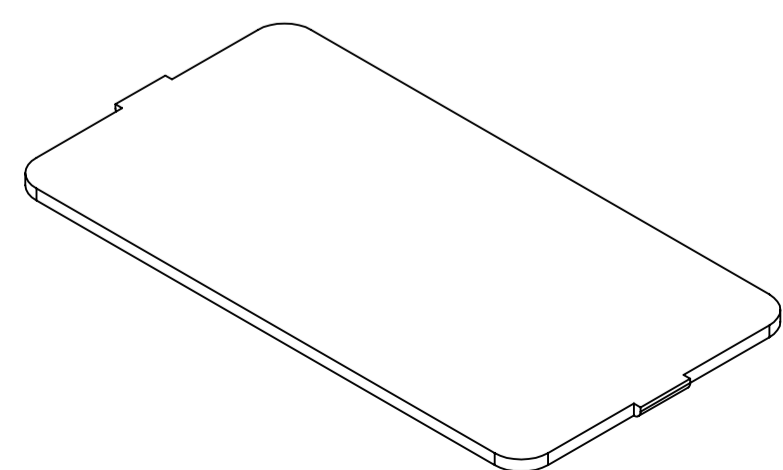


SURFACE-8

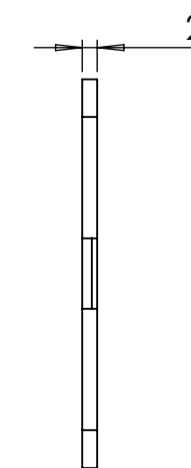


SURFACE-12 (INSIDE)

PANEL: 2 SURFACE



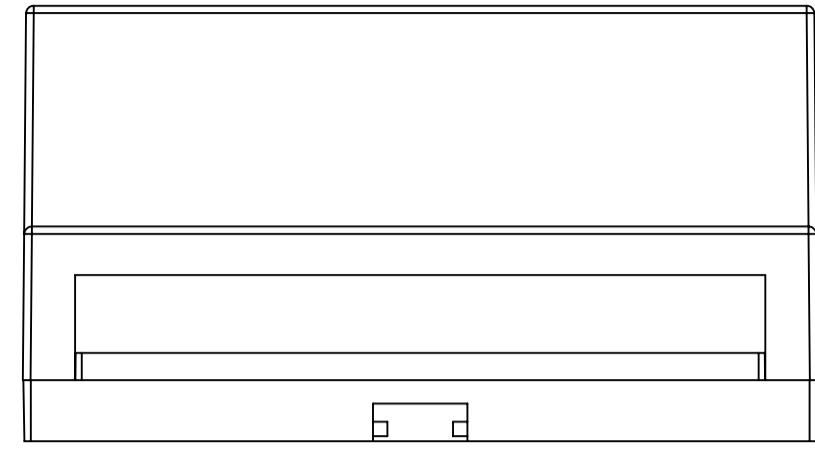
SURFACE-13



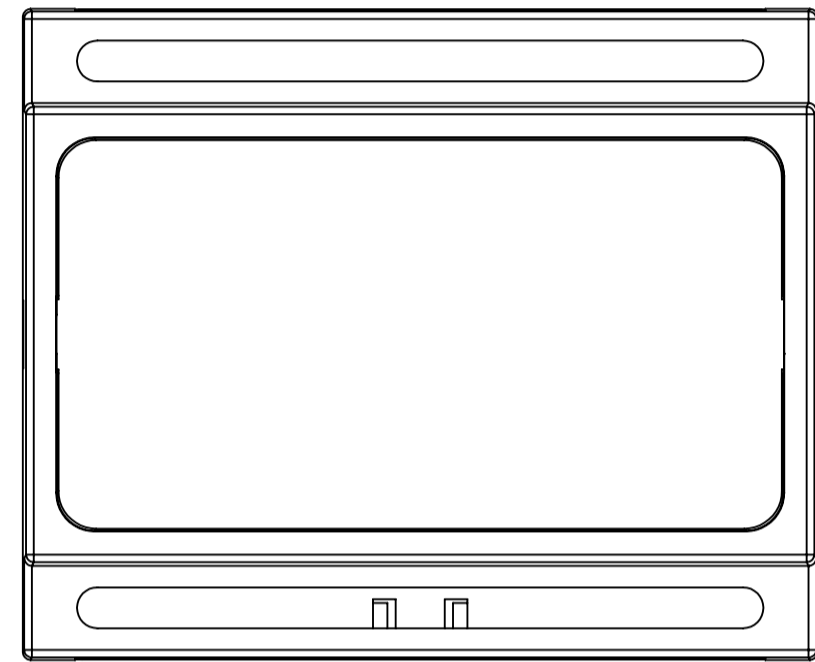
SURFACE-14 (INSIDE)

REV. NO.	DATE	REVISED BY	DESCRIPTION OF CHANGE
ALTINKAYA Electronic Enclosures & Components www.altinkaya.com			
Customer Name:		Customer Ref.:	
Altinkaya Ref.:		Part Name: RT-104-C	
DRAWN	NAME	DATE	Material:
CHECKED	Y. YESLOZ	16.09.2024	Weight:
DIMENSIONAL TOLERANCES UNLESS OTHERWISE SPECIFIED:		0.5-3mm	3-6mm
		±0.1	±0.1 ±0.2 ±0.3 ±0.5
SCALE 1:1			UNIT : mm
Dimension(mm)			A1
m(medium)			SHEET 1 OF 2

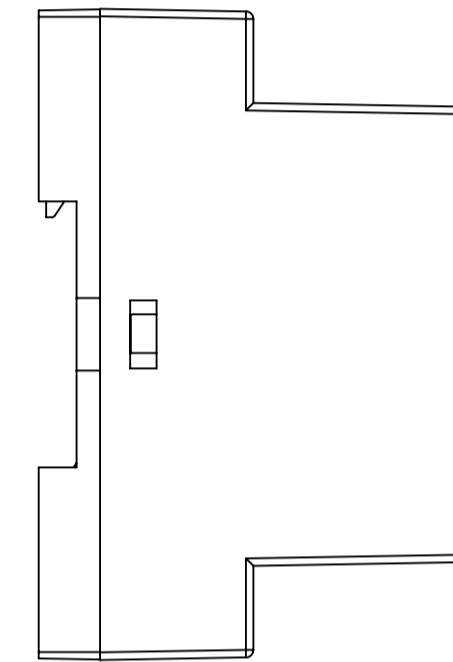
RT-106-C IF MACHINED TOGETHER



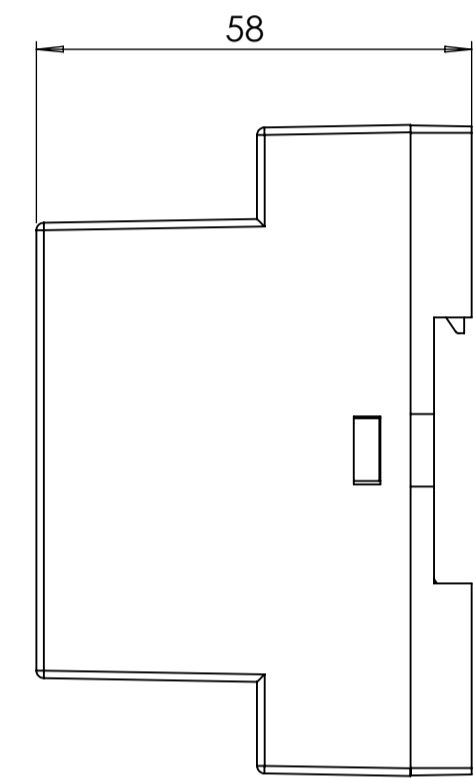
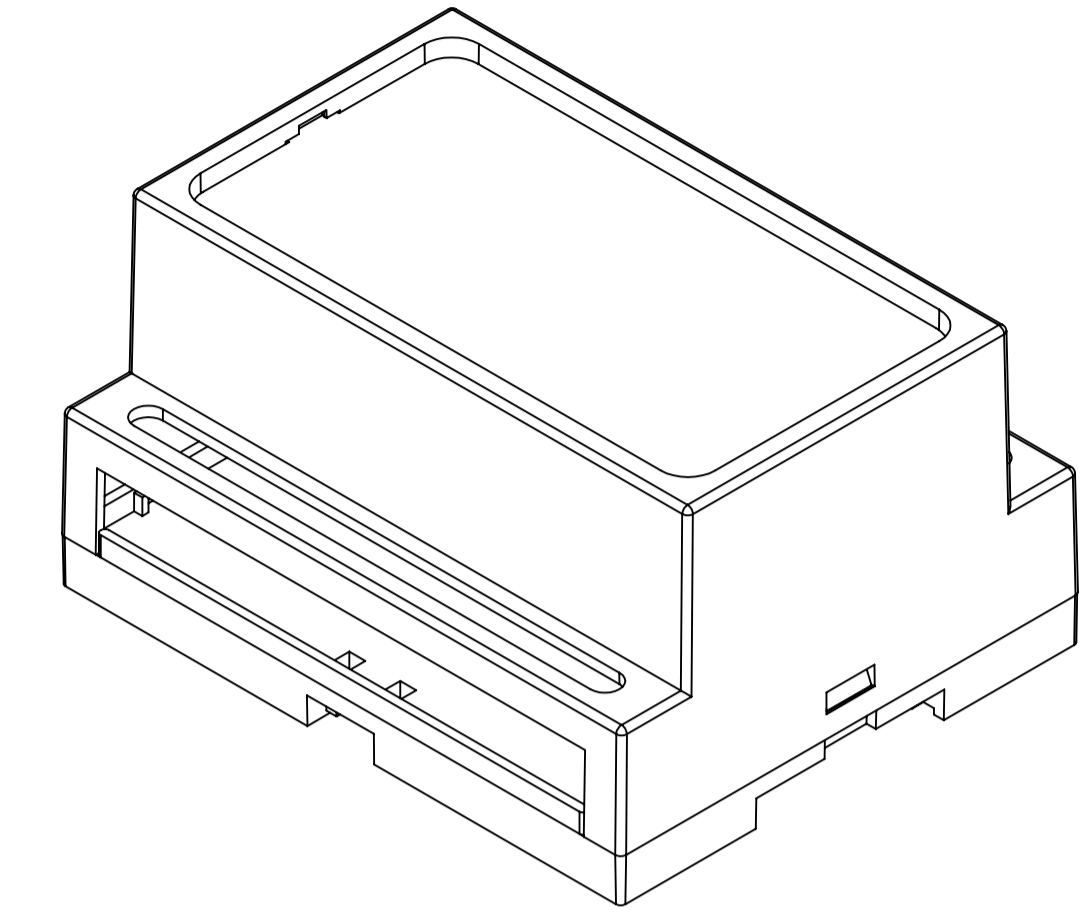
SURFACE-15



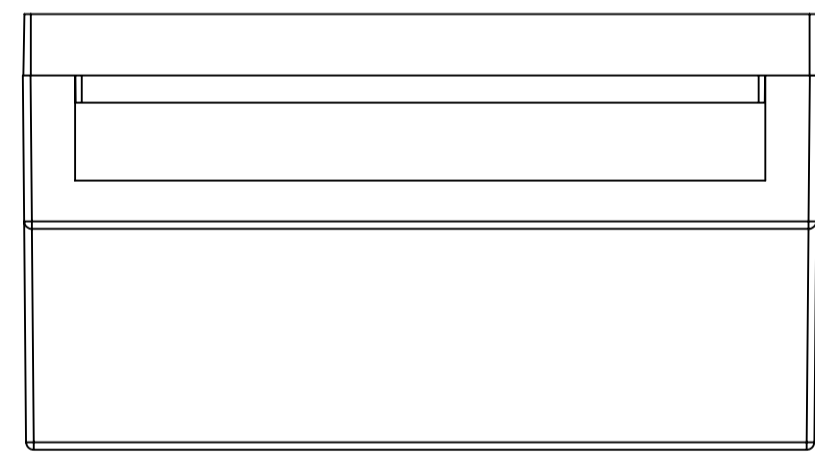
SURFACE-19



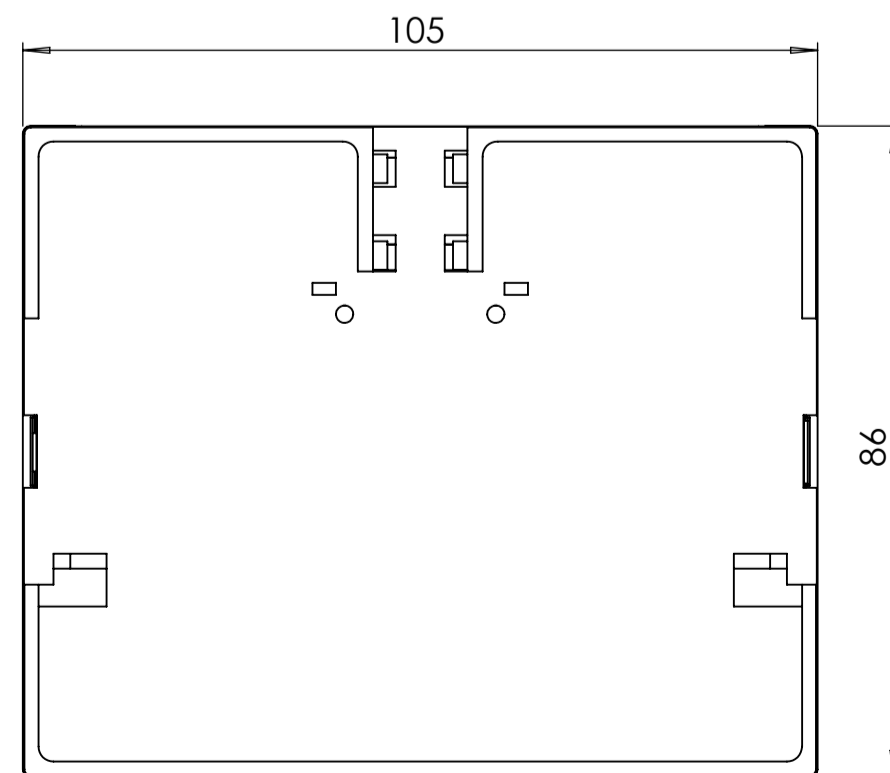
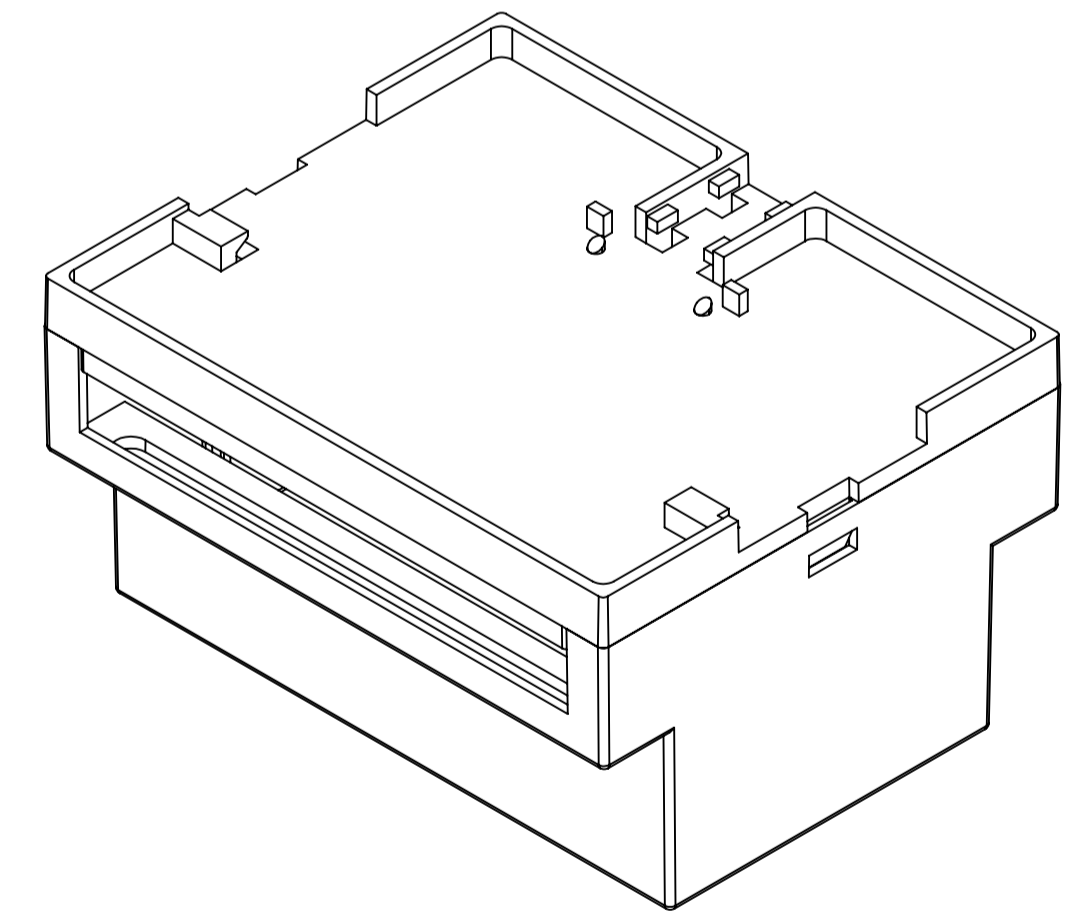
SURFACE-18



SURFACE-17



SURFACE-16



SURFACE-20

REV. NO.	DATE	REVISED BY	DESCRIPTION OF CHANGE
ALTINKAYA Electronic Enclosures & Components			www.altinkaya.com
Customer Name:		Customer Ref.:	
Altinkaya Ref.:		Part Name: RT-106-C	
DRAWN	NAME	DATE	Drawn From:
CHECKED	Y. YESLOZ	16.09.2024	Material:
DIMENSIONAL TOLERANCES UNLESS OTHERWISE SPECIFIED:		Weight:	SCALE 1:1 UNIT : mm
(mm)	±0.1	±0.1	±0.2
(mm)	±0.3	±0.3	±0.5
(mm)	±0.5	±0.5	±0.5
Dimension(mm)			A1
m(medium)			1
SHEET 2 OF 2			2