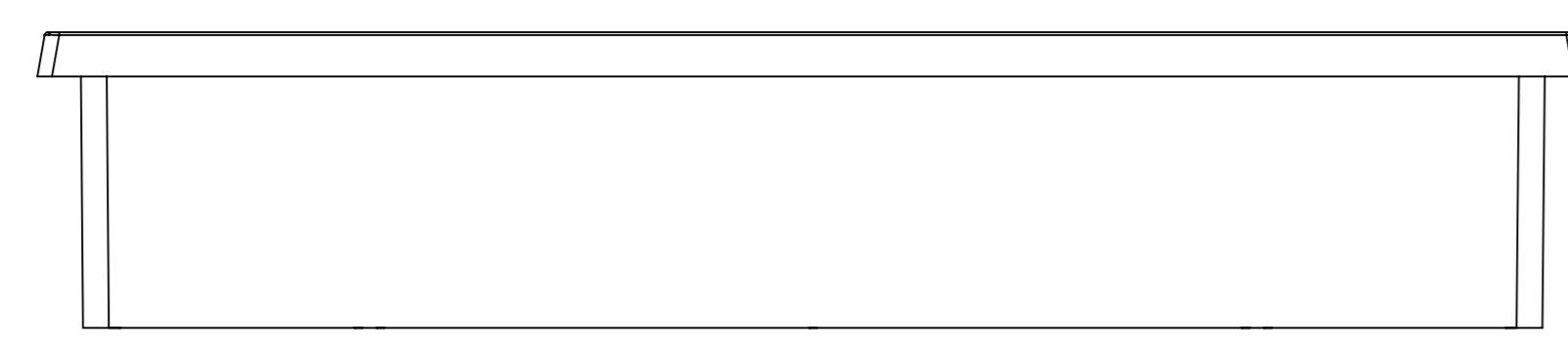
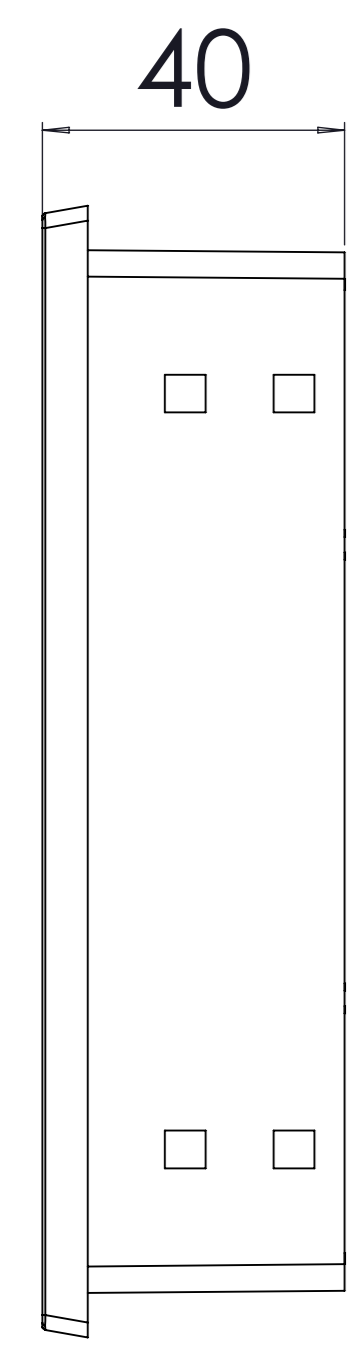


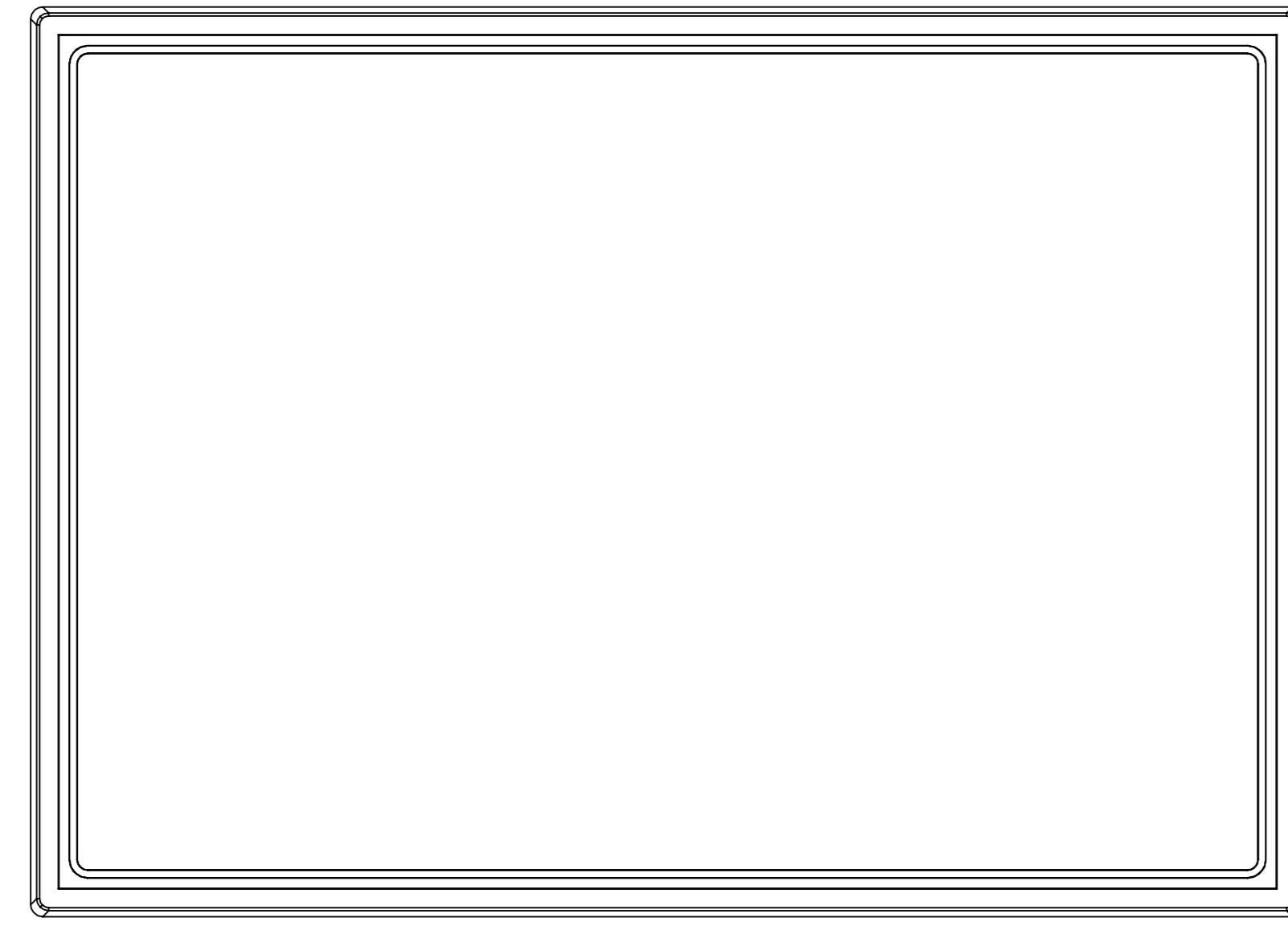
BASE: 6 SURFACE



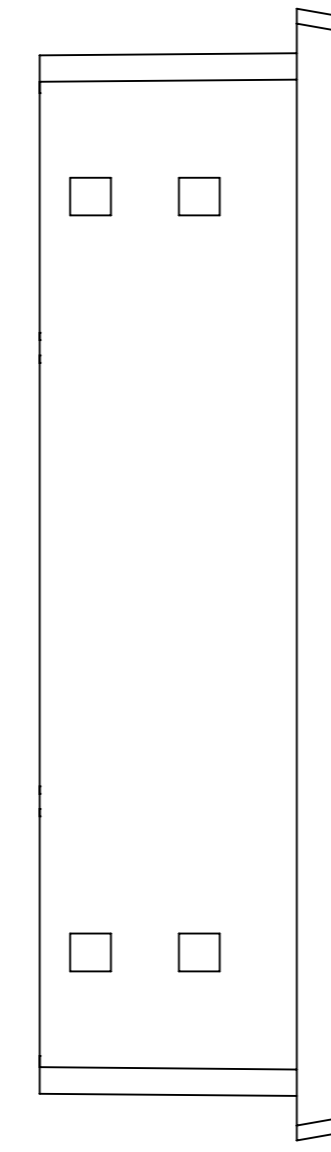
SURFACE-1



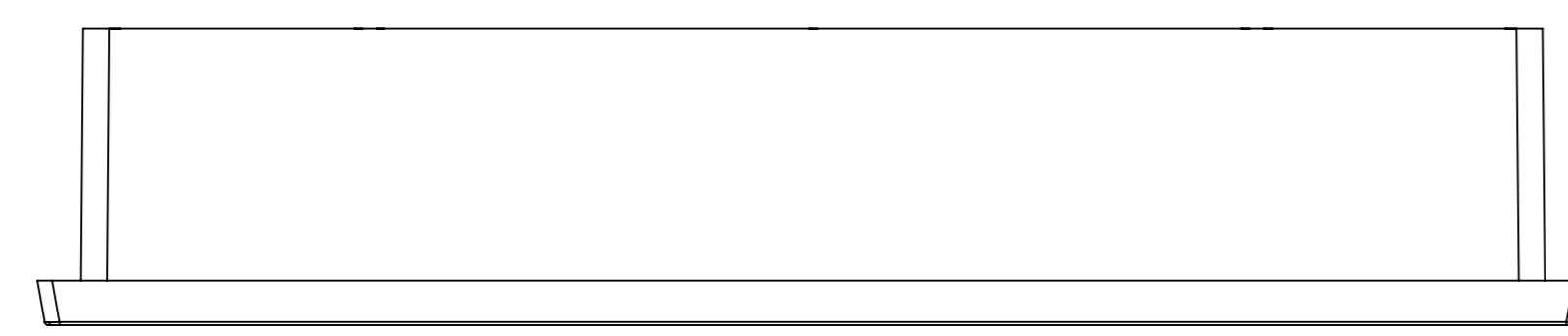
SURFACE-3



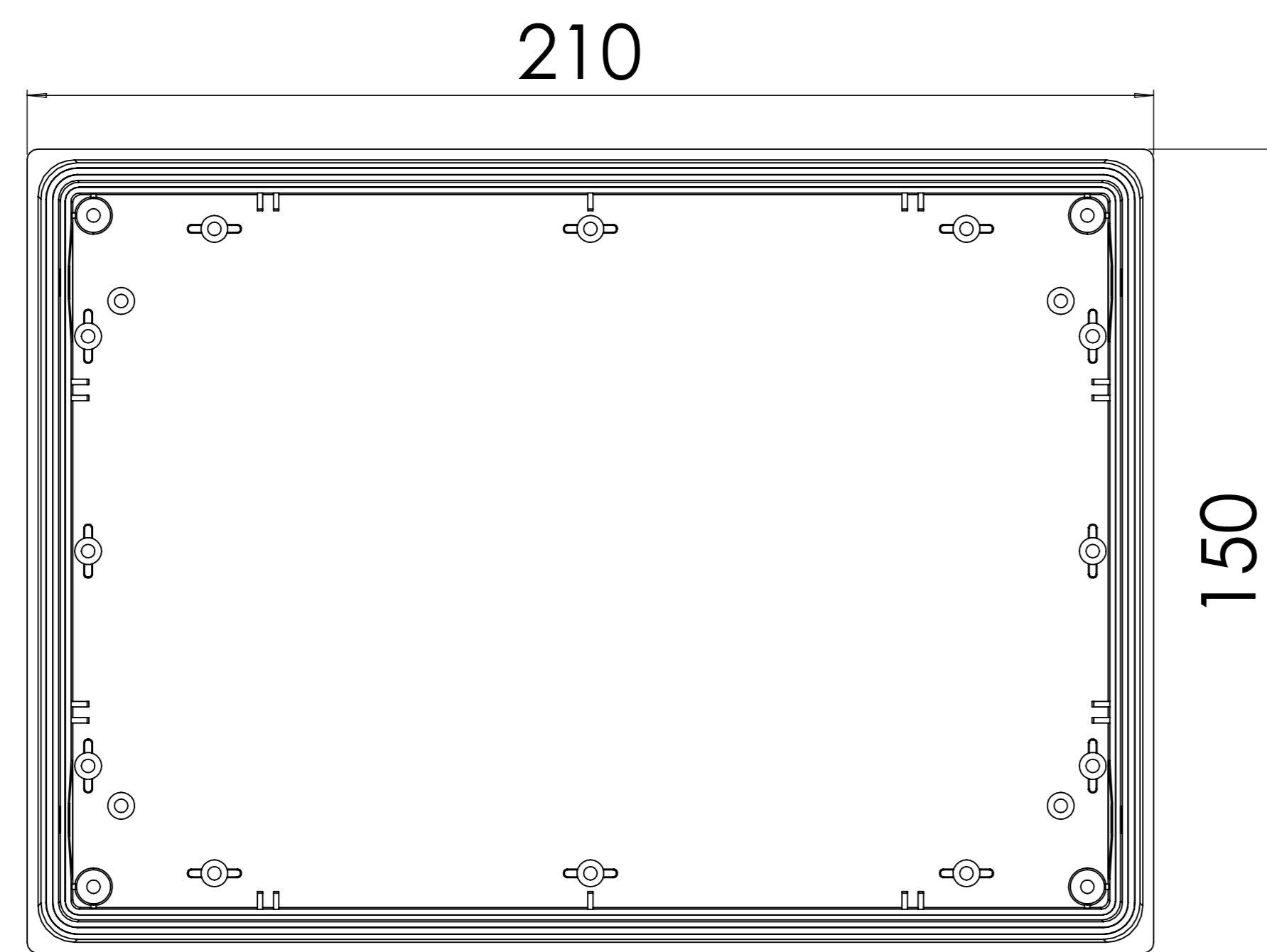
SURFACE-5



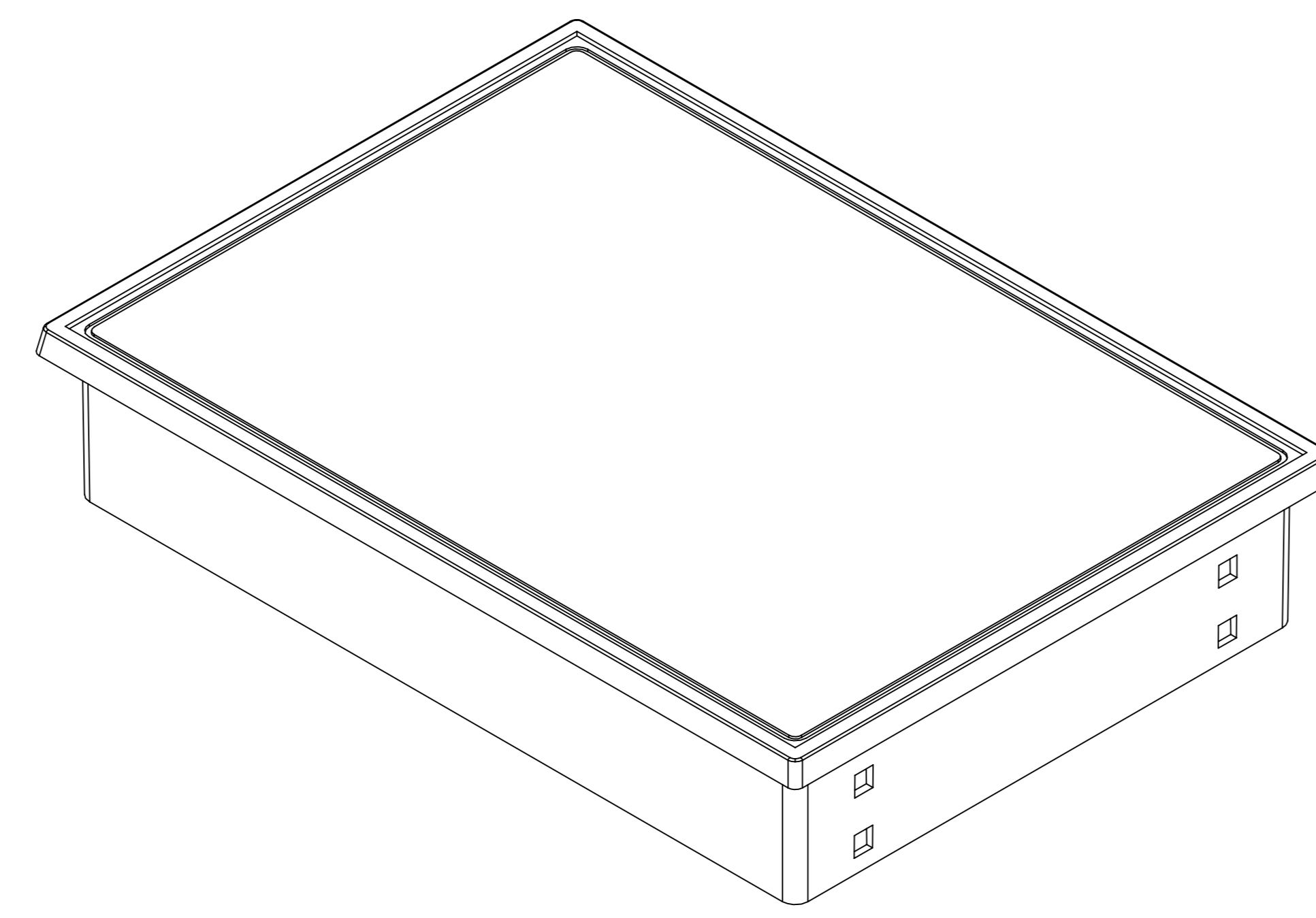
SURFACE-4



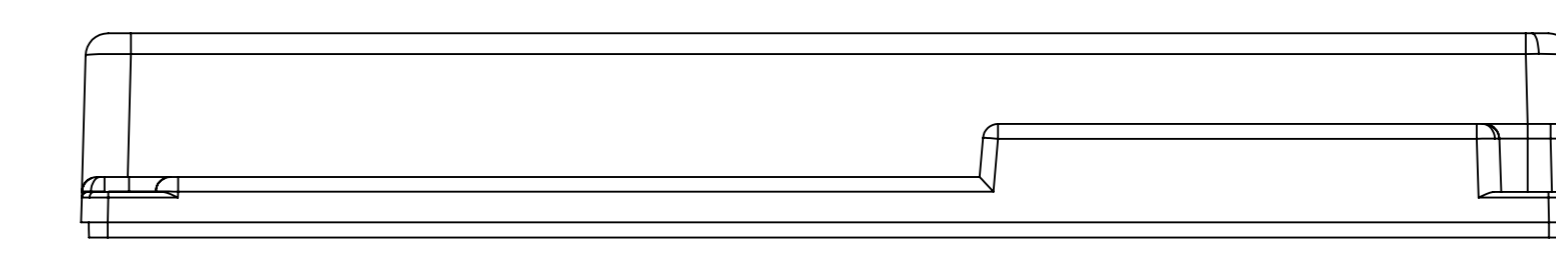
SURFACE-2



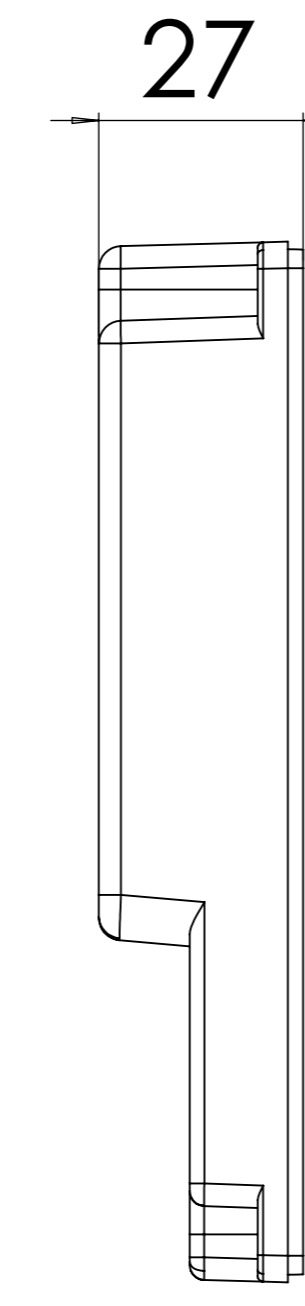
SURFACE-6 (INSIDE)



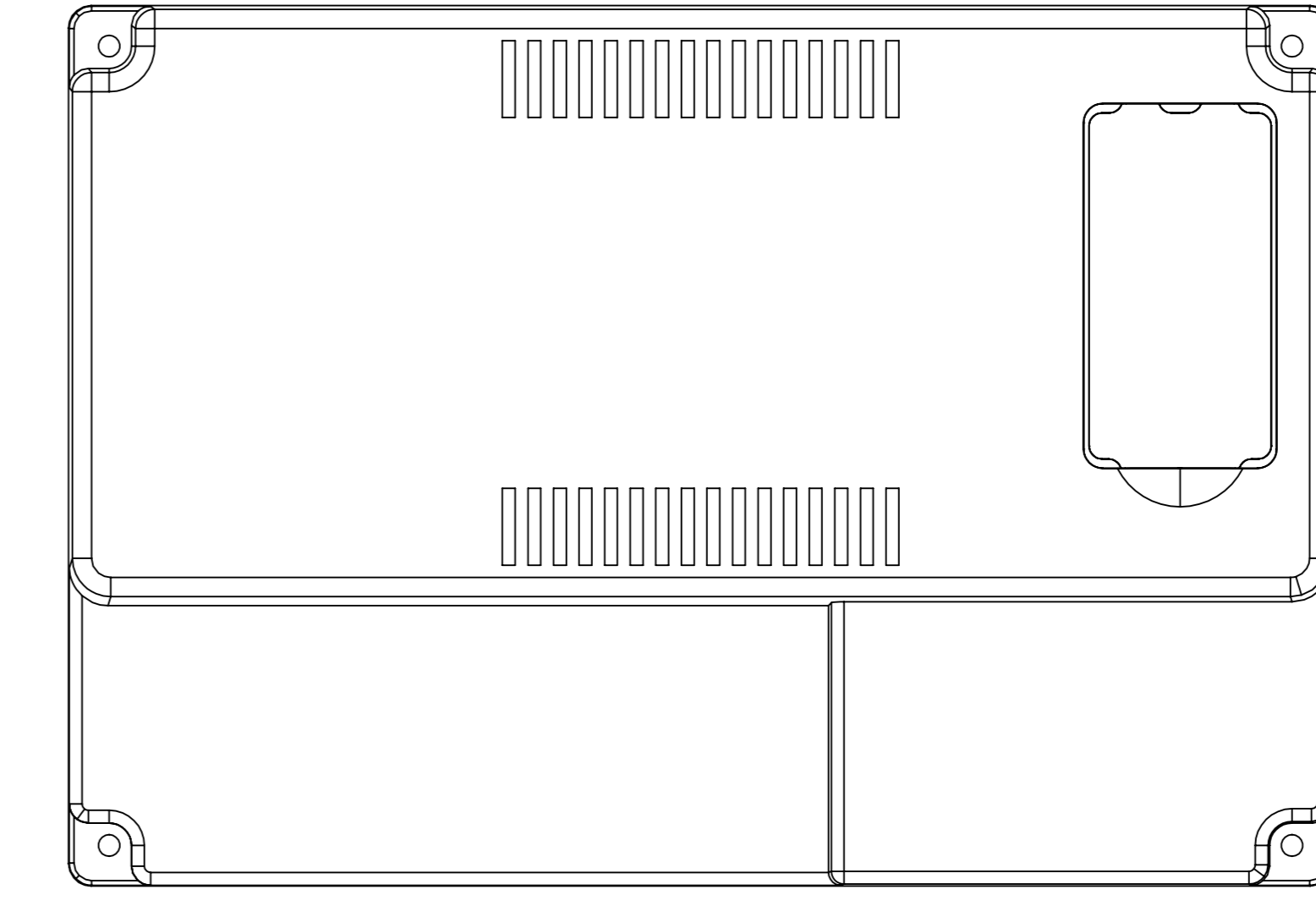
COVER: 6 SURFACE



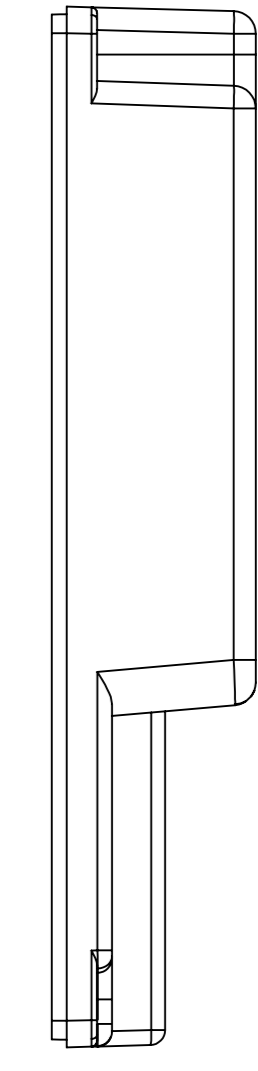
SURFACE-7



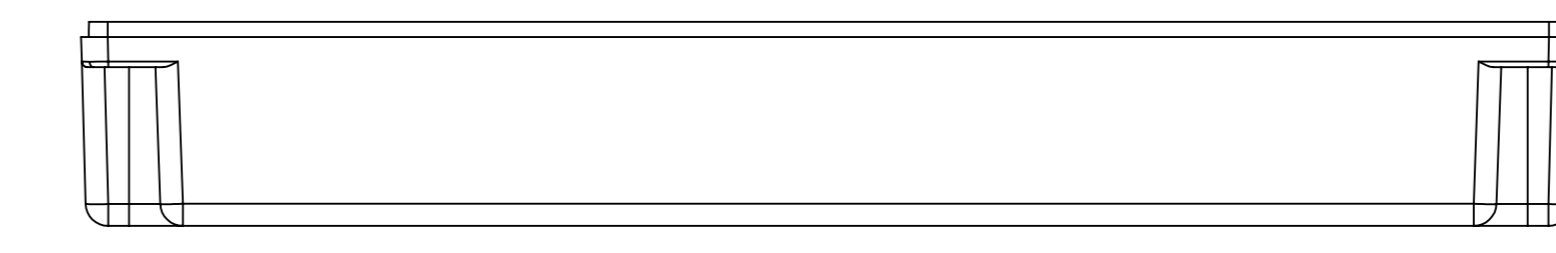
SURFACE-9



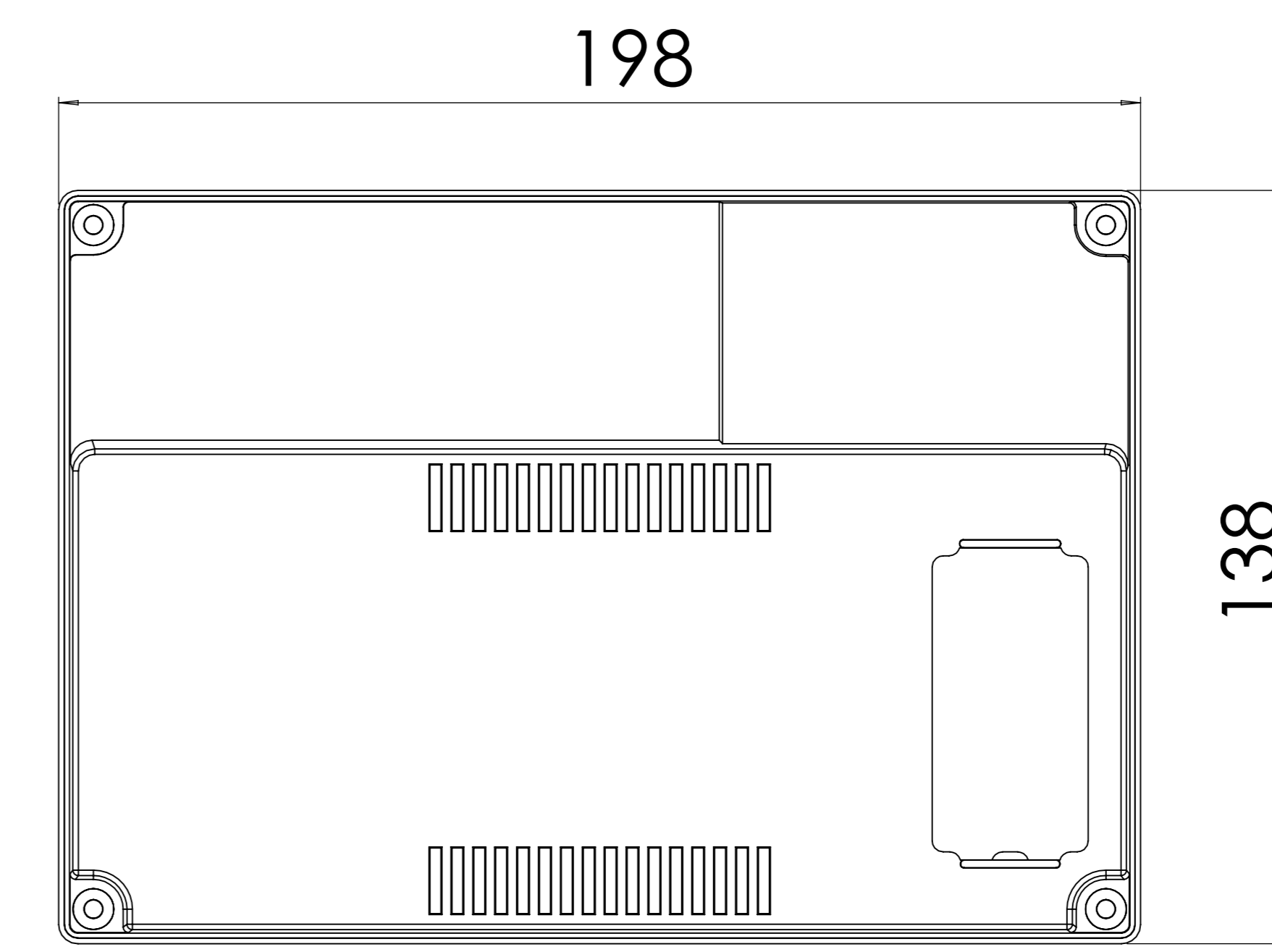
SURFACE-11



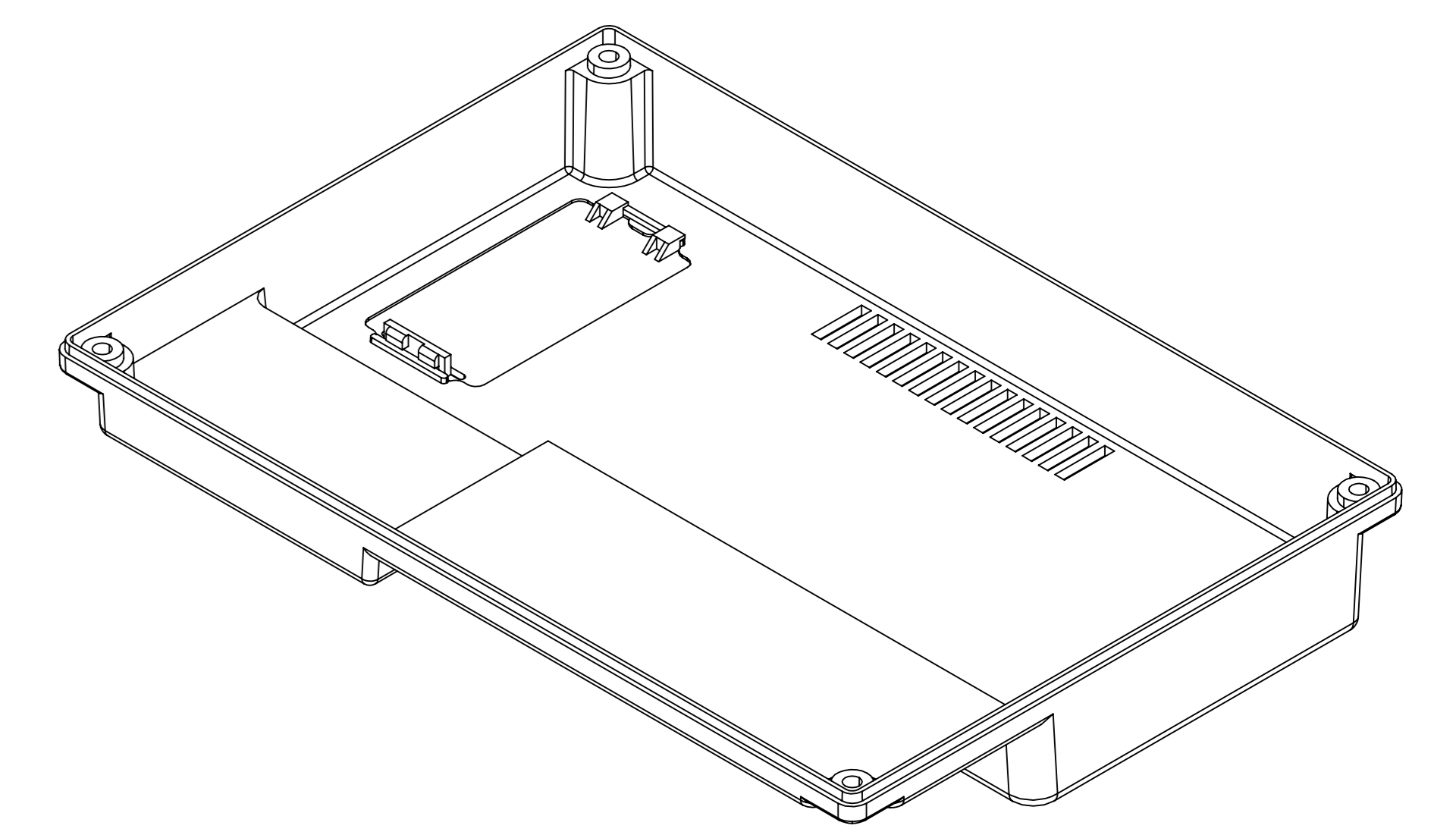
SURFACE-10



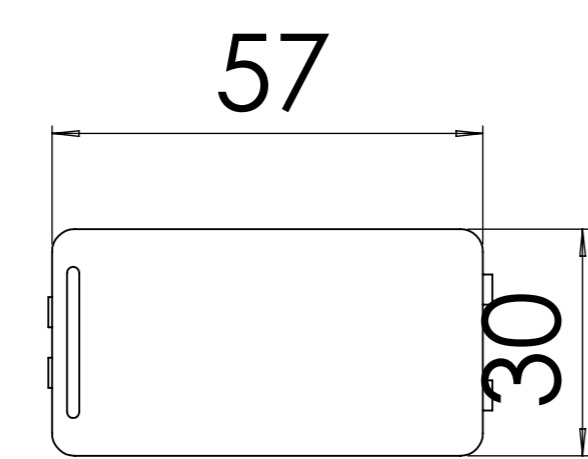
SURFACE-8



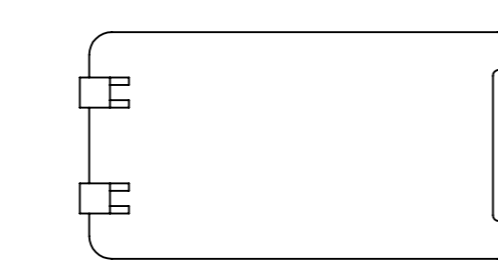
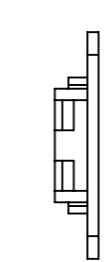
SURFACE-12 (INSIDE)




BATTERY COVER: 2 SURFACE



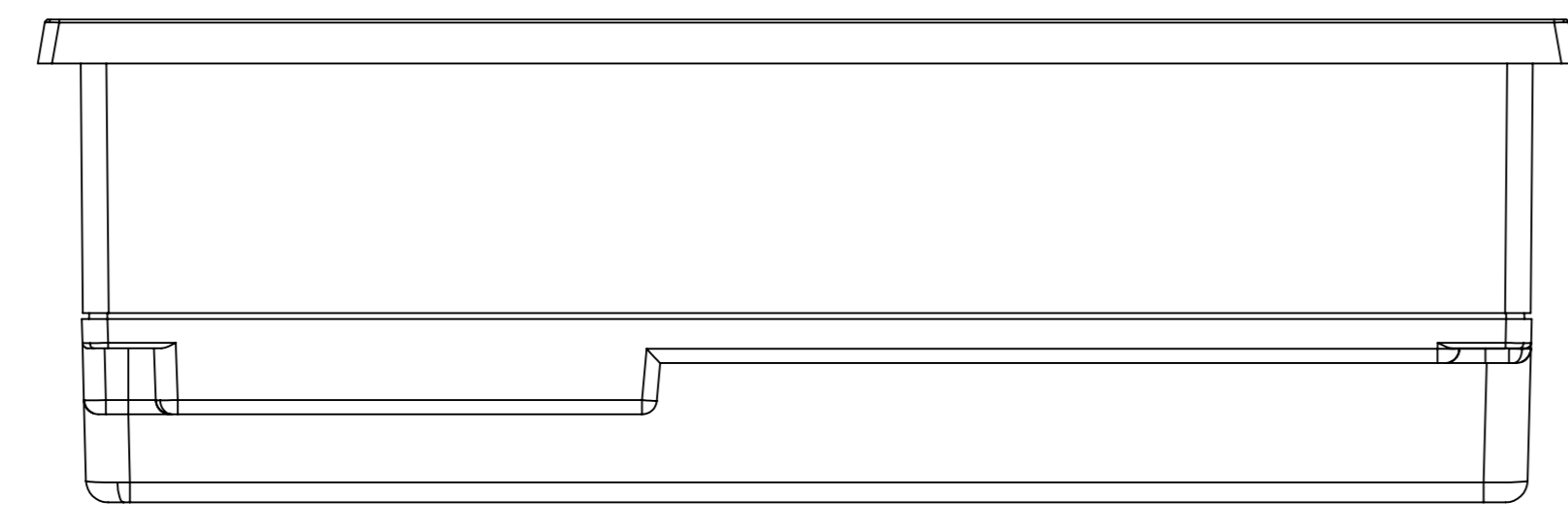
SURFACE-13



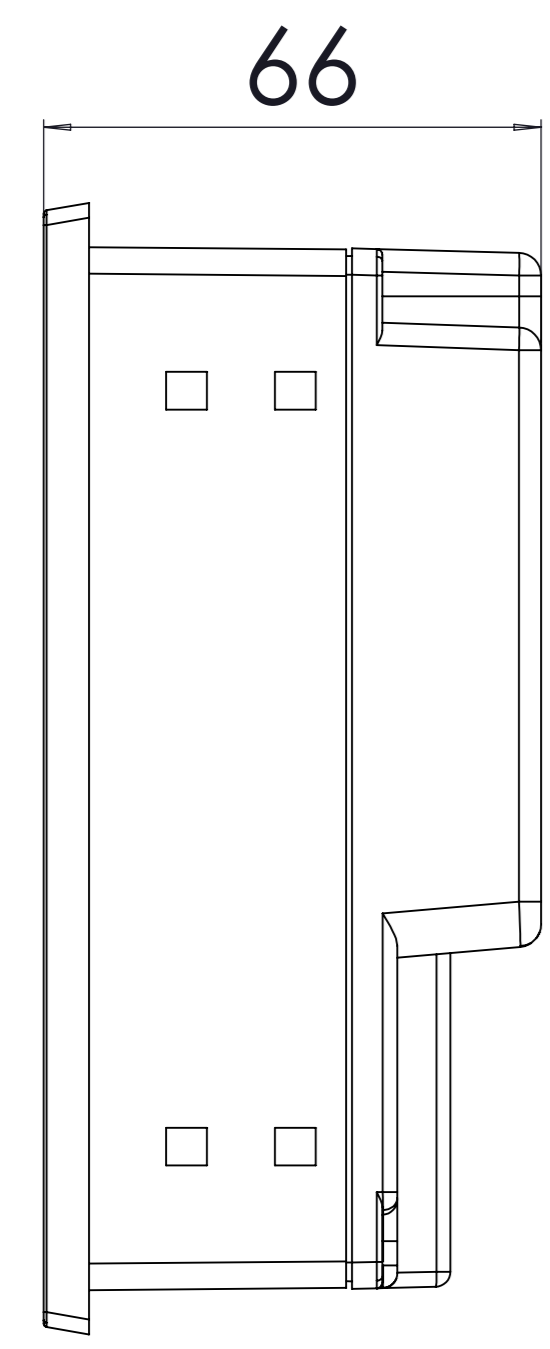
SURFACE-14

REV. NO	DATE	REVISED BY	DESCRIPTION OF CHANGE
 ALTINKAYA Electronic Enclosures & Components			
Customer Name :		Customer Ref. :	
Altinkaya Ref :		Part Name: OP-360-K	
DRAWN	NAME	DATE	Drawn From:
CHECKED	Y.YEL	6.11.2024	Material:
DIMENSIONAL TOLERANCES UNLESS OTHERWISE SPECIFIED (DIN7168)			Weight:
0.5-3mm	3-6mm	6-30mm	30-120mm
±0,1	±0,1	±0,2	±0,3
			120-400mm
			±0,5
			UNIT: mm
			Dimension(mm)
			m (medium)

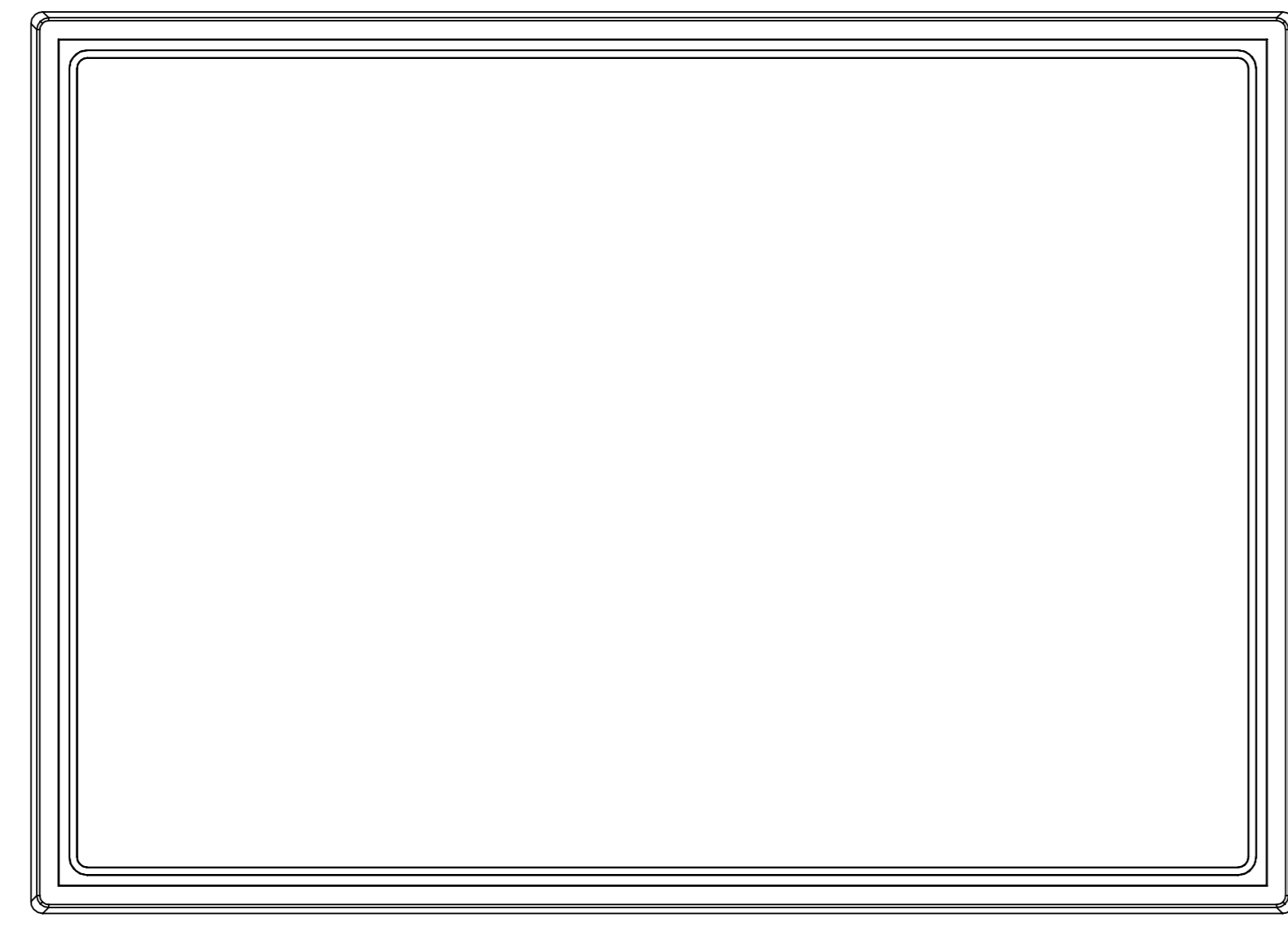
OP-360-K IF MACHINED TOGETHER



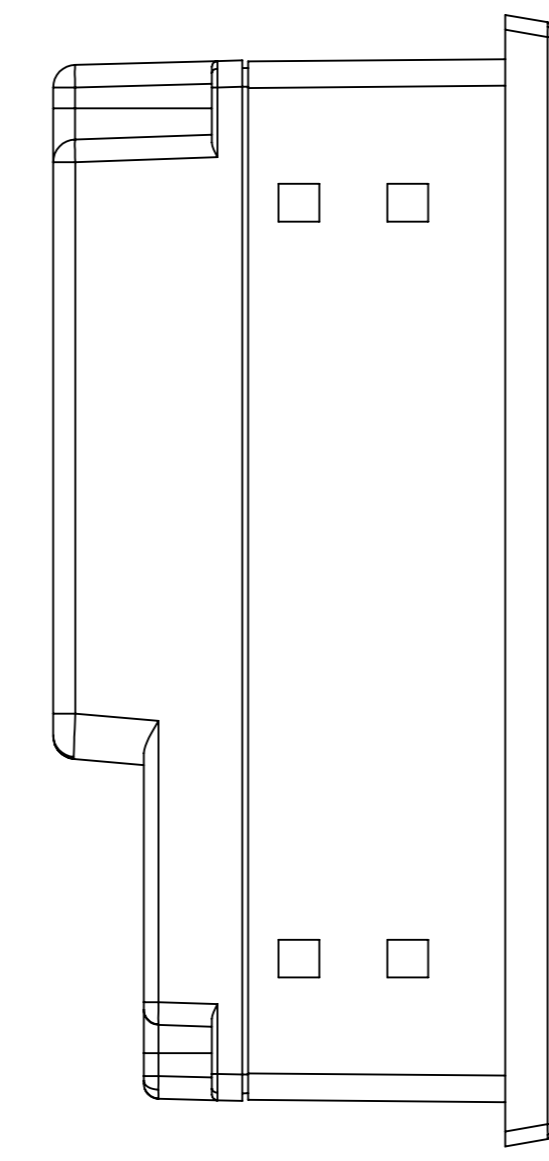
SURFACE-15



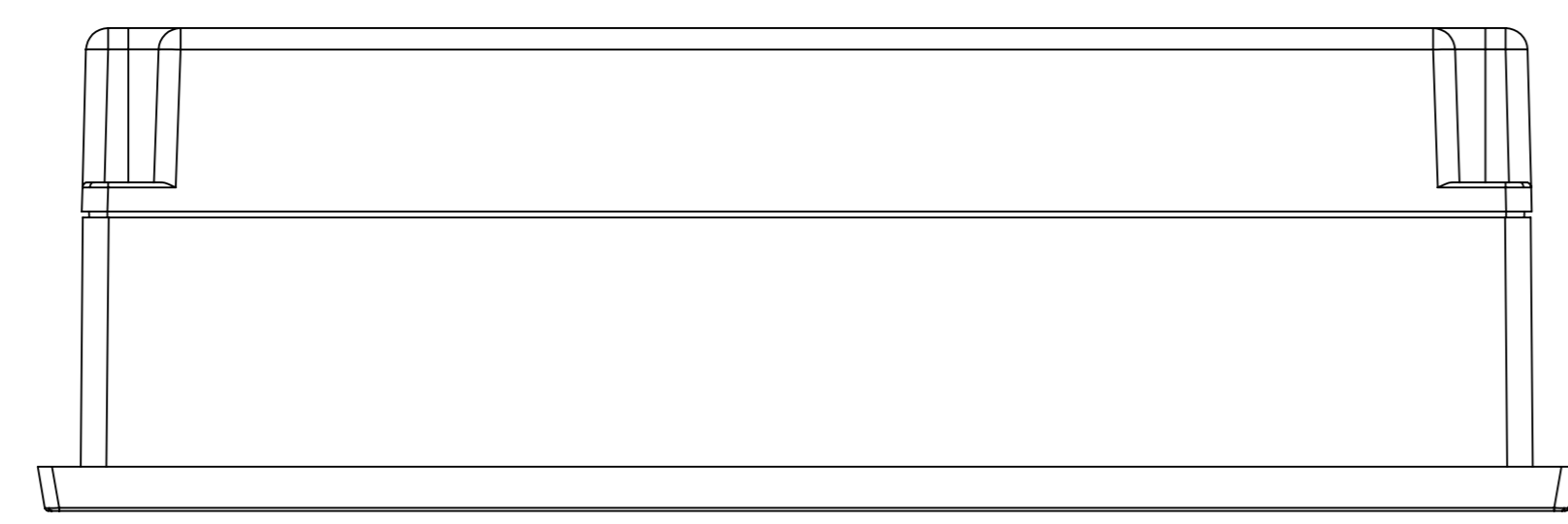
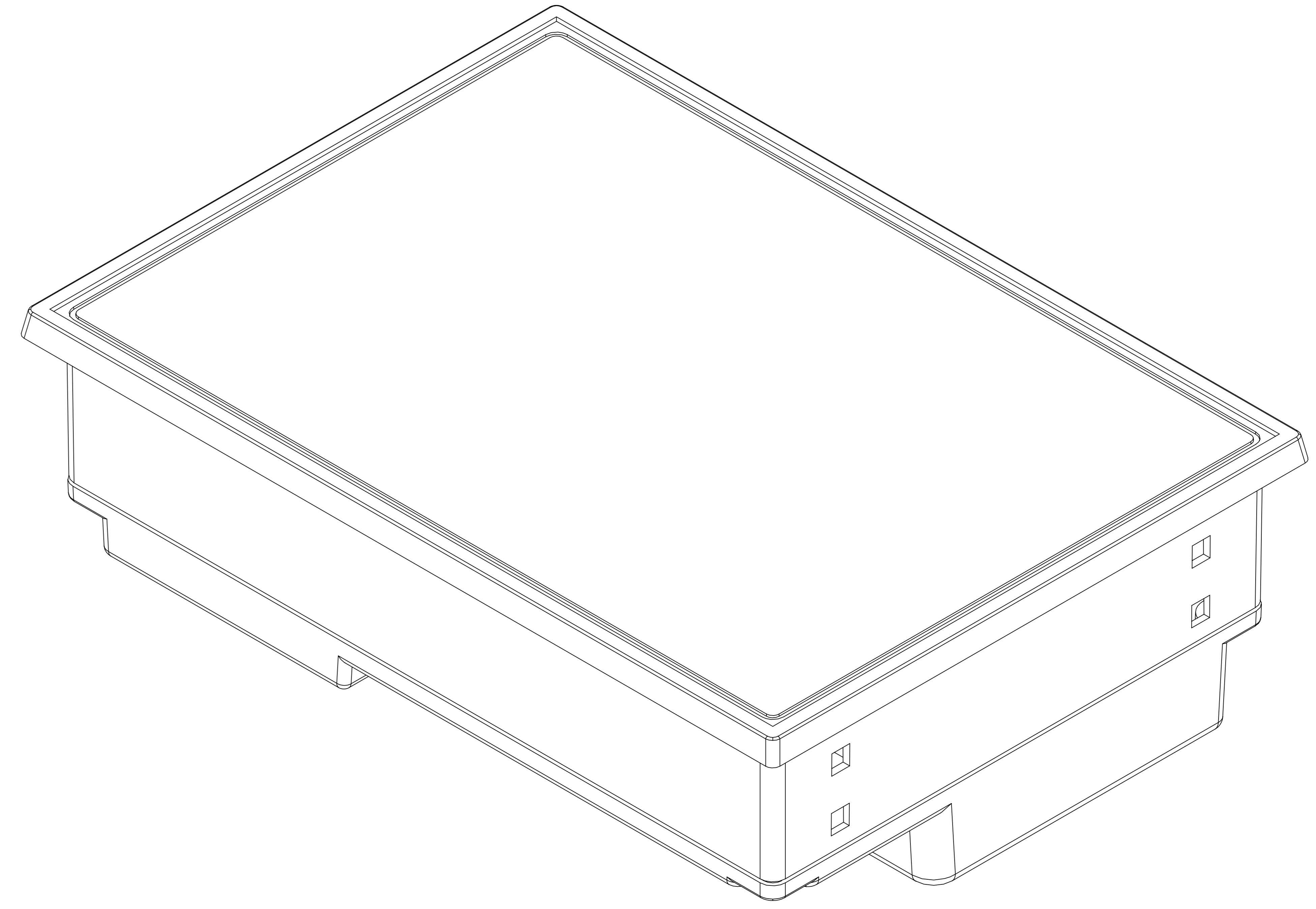
SURFACE-17



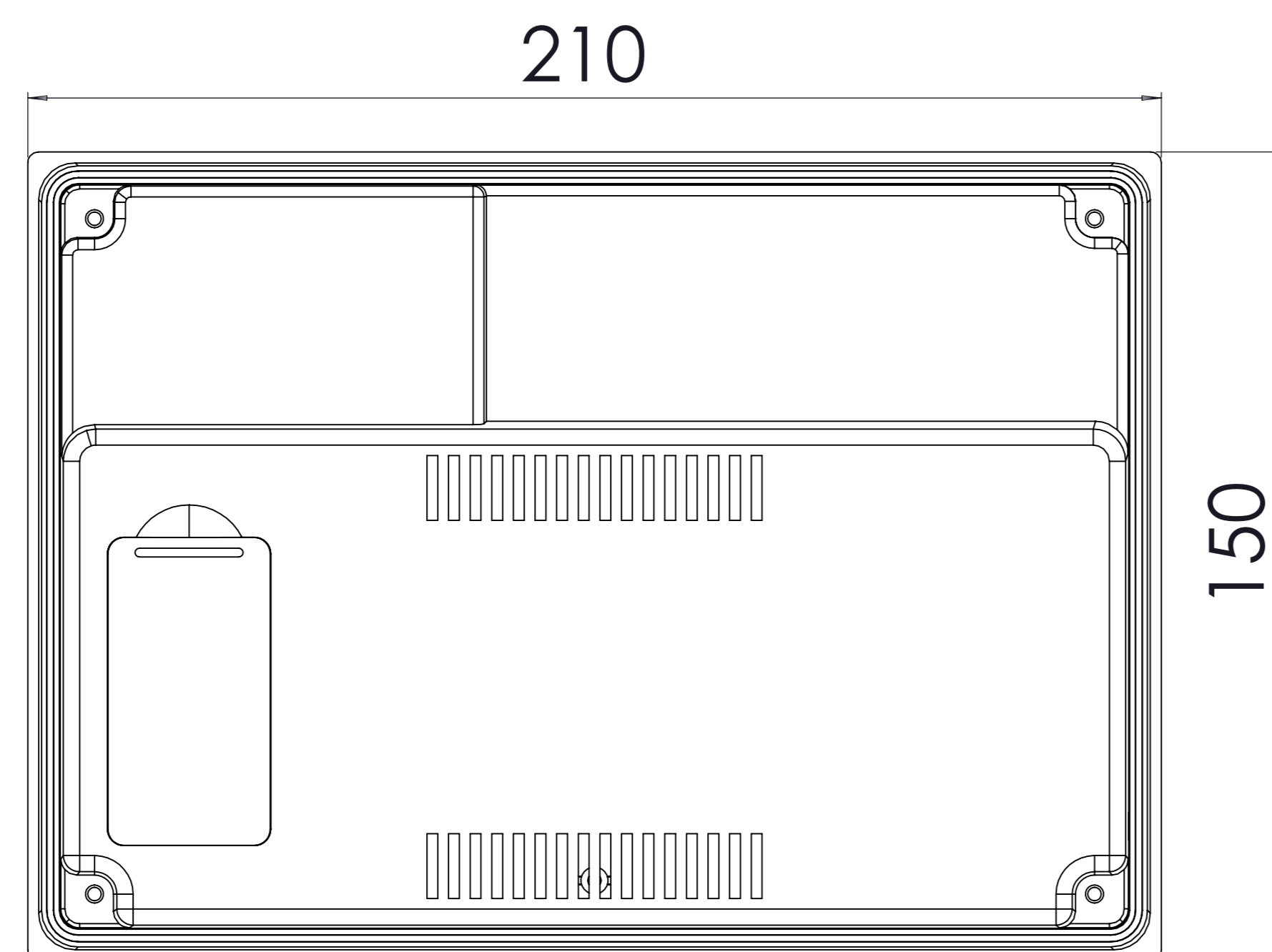
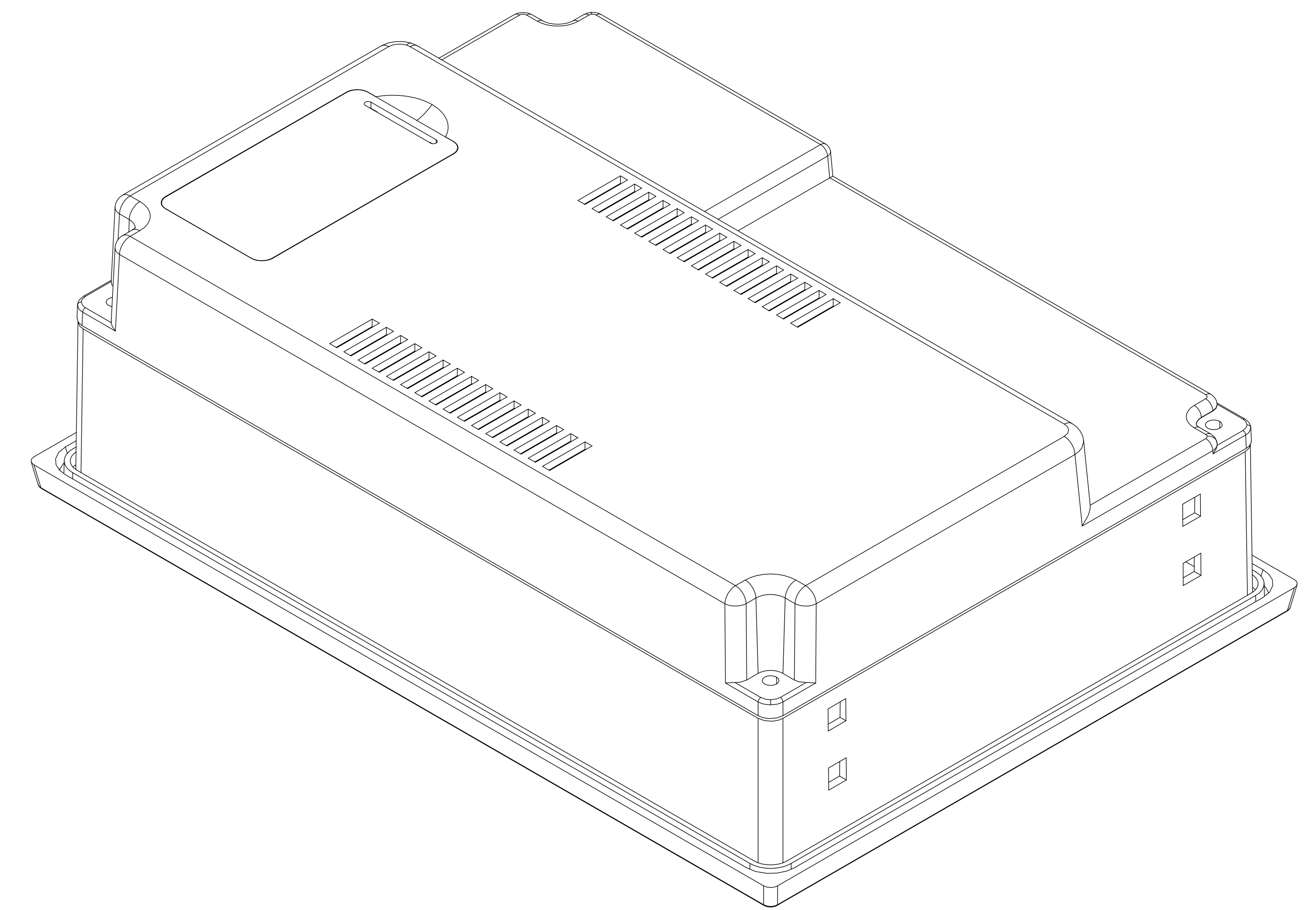
SURFACE-19



SURFACE-18



SURFACE-16



SURFACE-20

REV. NO	DATE	REVISED BY	DESCRIPTION OF CHANGE
ALTINKAYA Electronic Enclosures & Components			www.altinkaya.com
Customer Name :		Customer Ref. :	
Altinkaya Ref :		Part Name: OP-360-K	
DRAWN	NAME	DATE	Drawn From:
CHECKED	Y.YEL	6.11.2024	Material:
Weight:			UNIT: mm
DIMENSIONAL TOLERANCES UNLESS OTHERWISE SPECIFIED (DIN7168)			
	0.5-3mm	3-6mm	30-120mm 120-400mm
	±0,1	±0,1	±0,2 ±0,3 ±0,5
			Dimension(mm) m (medium)