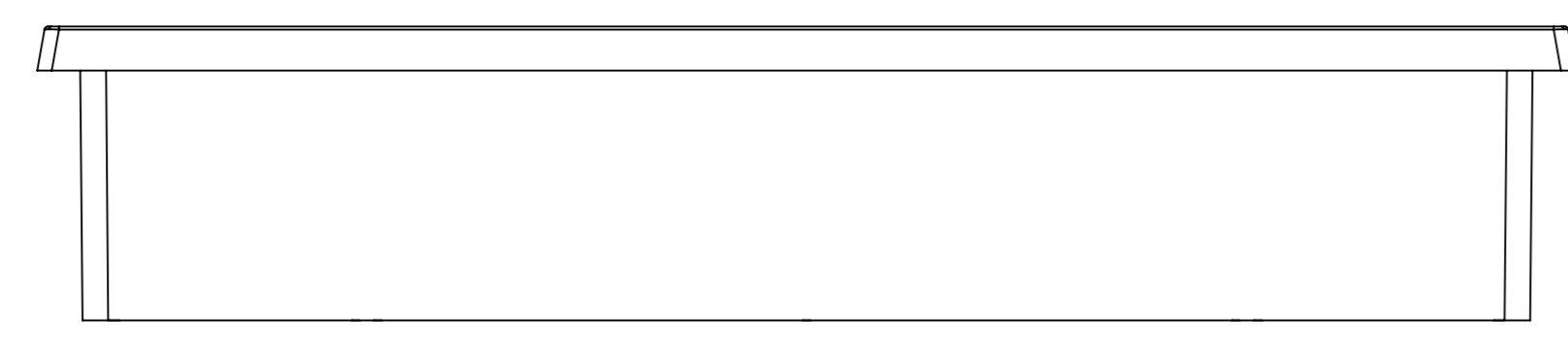
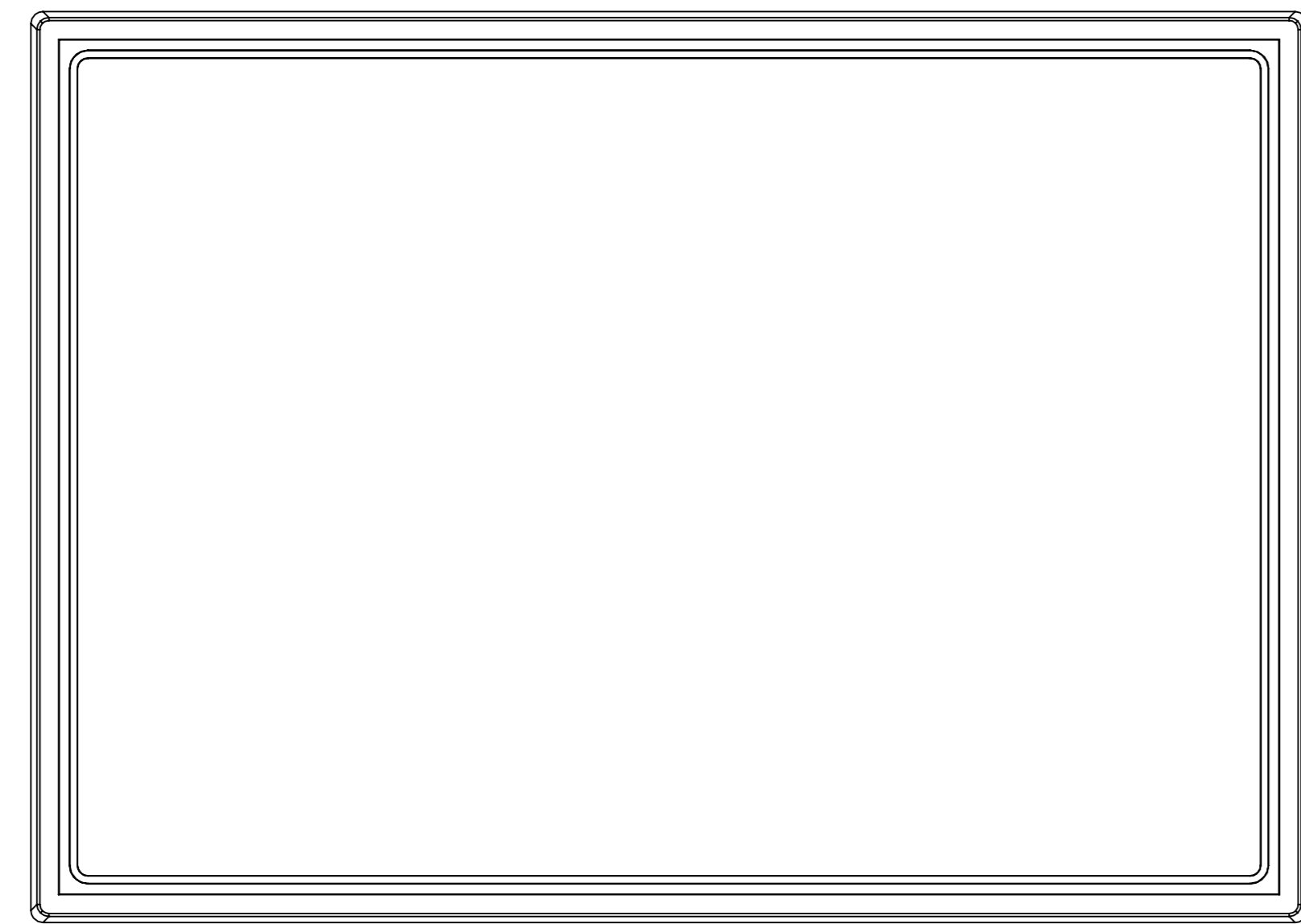


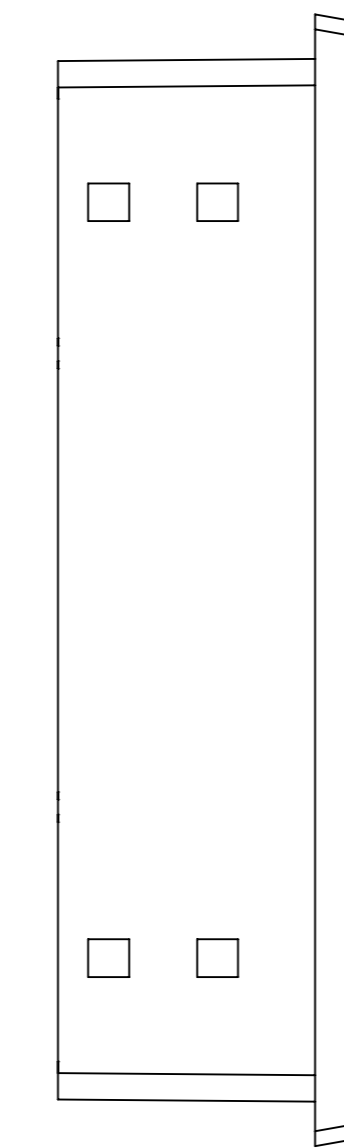
**BASE: 6 SURFACE**



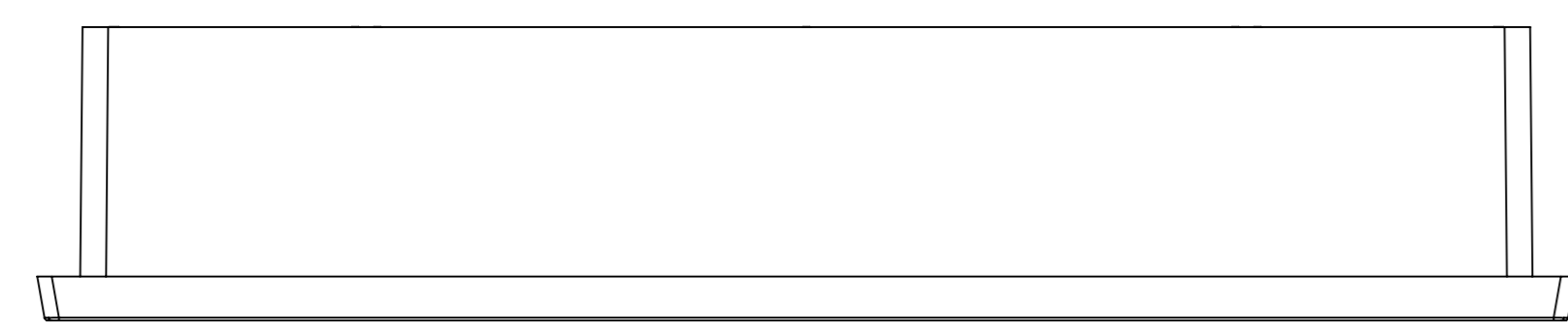
SURFACE-1



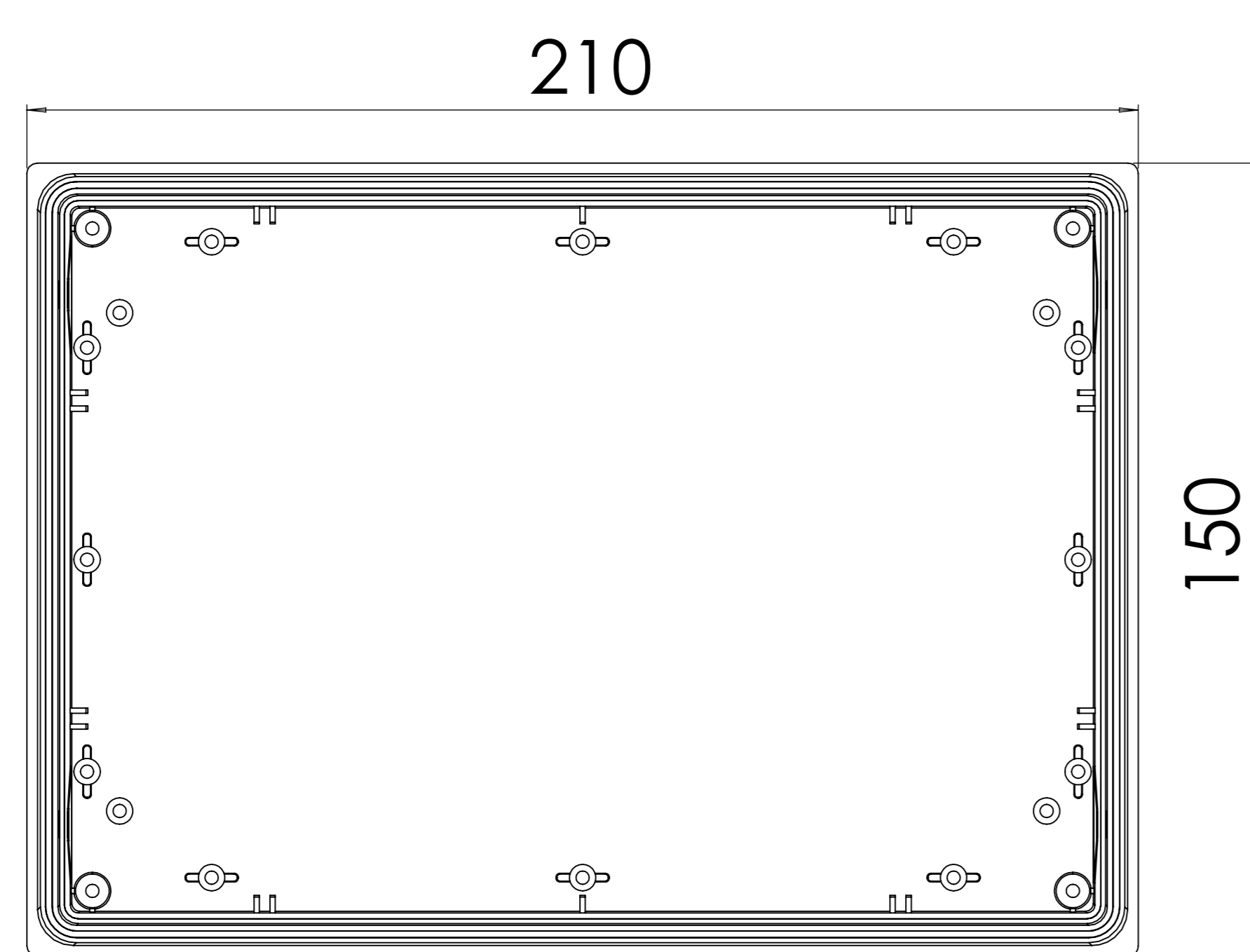
SURFACE-5



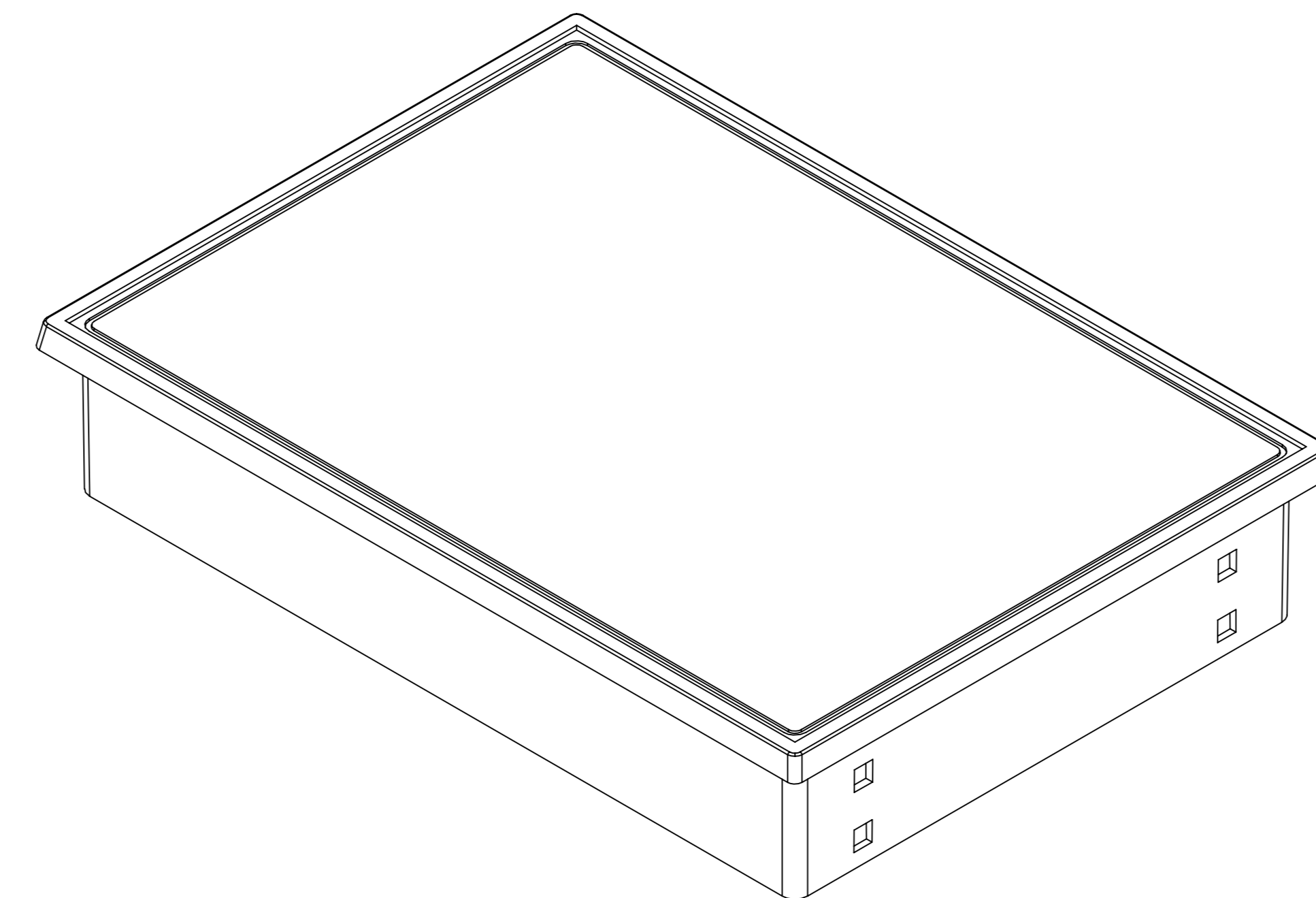
SURFACE-4



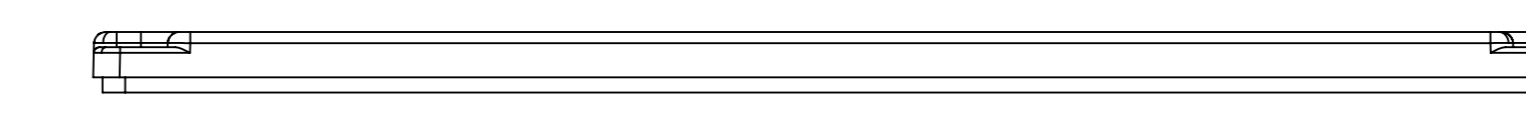
SURFACE-2



SURFACE-6 (INSIDE)

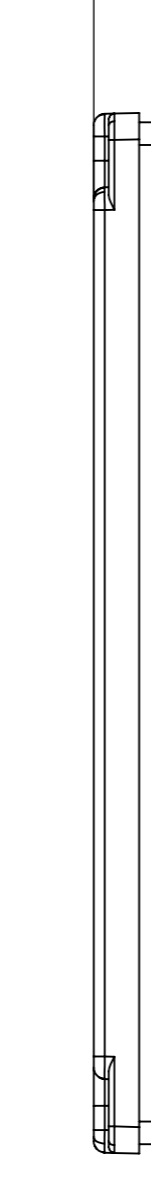


**COVER: 6 SURFACE**

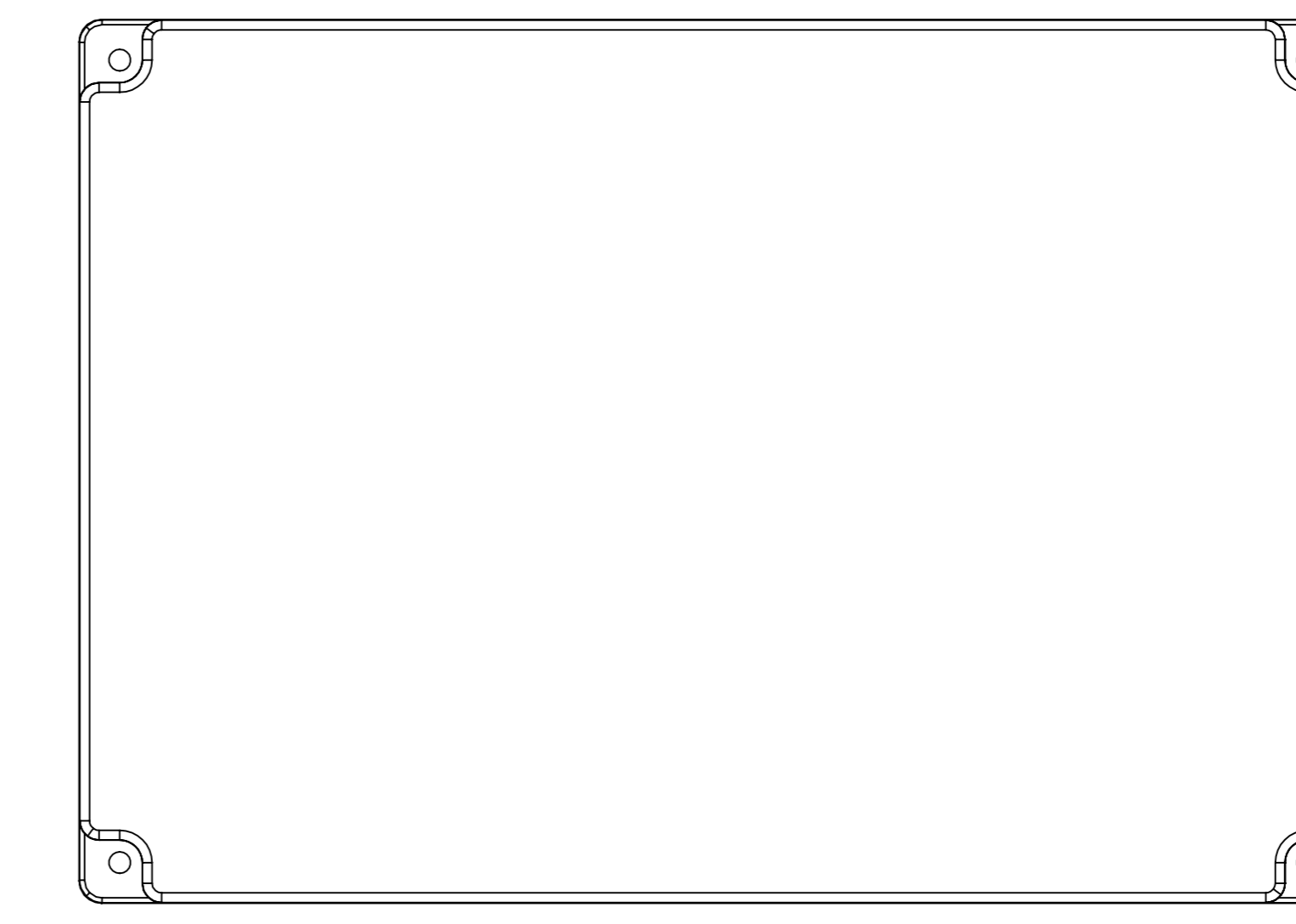


SURFACE-7

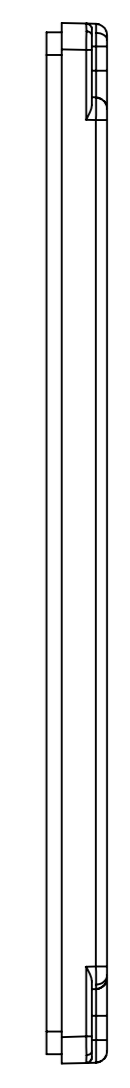
8



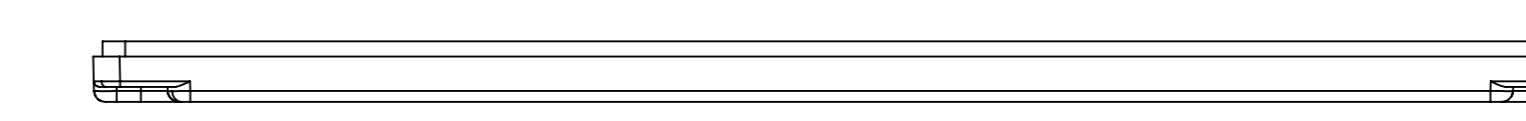
SURFACE-9



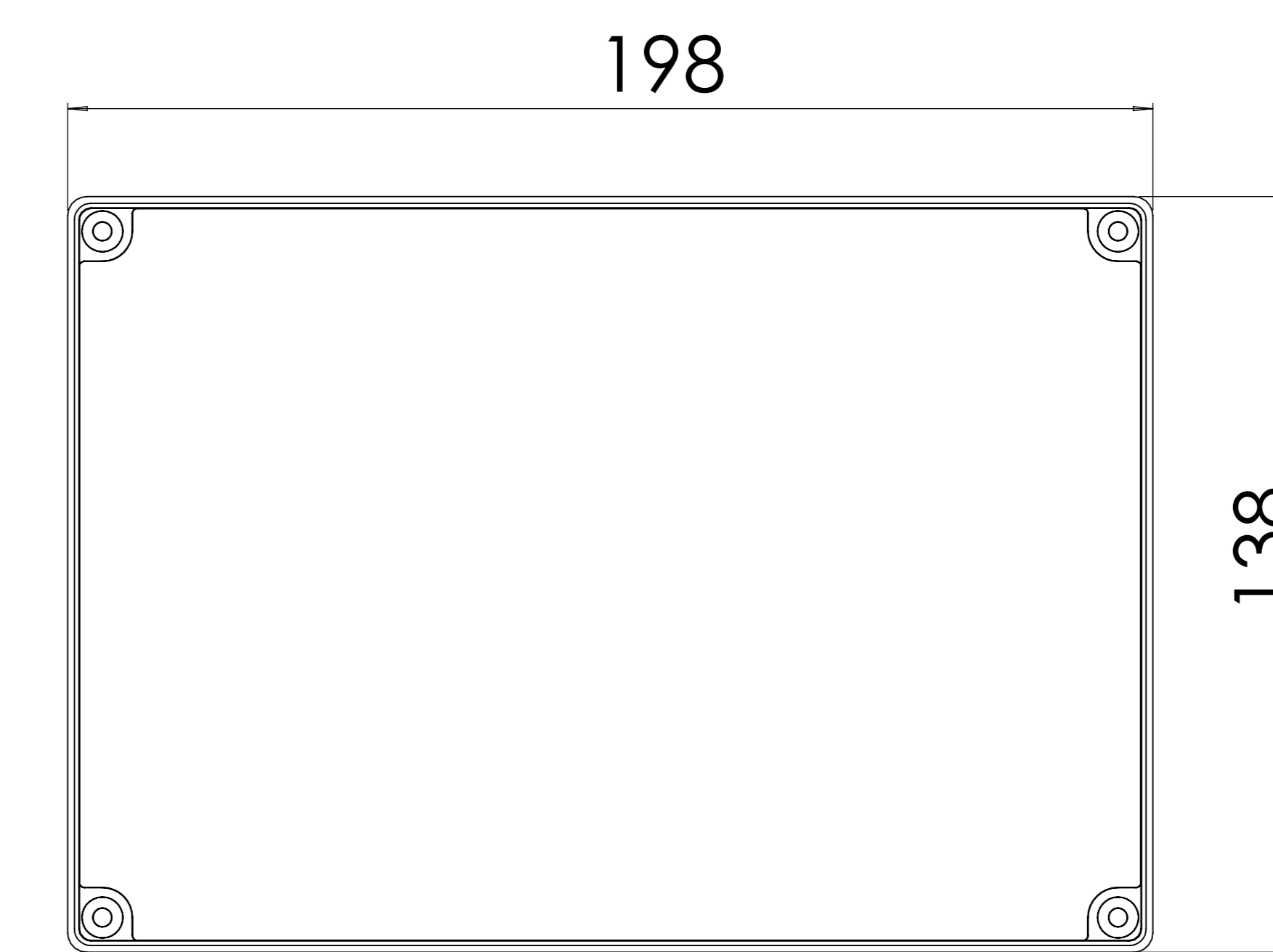
SURFACE-11



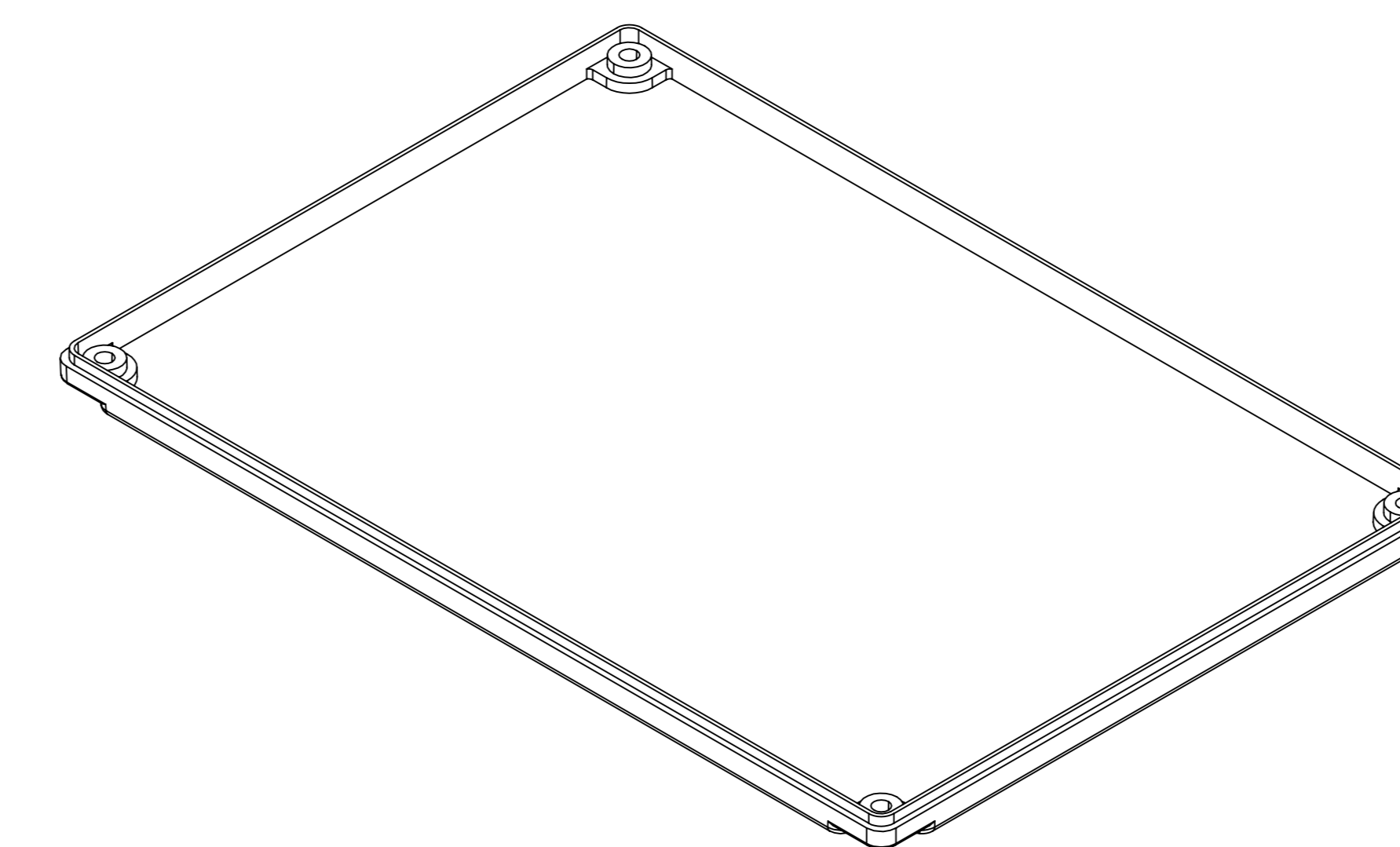
SURFACE-10



SURFACE-8

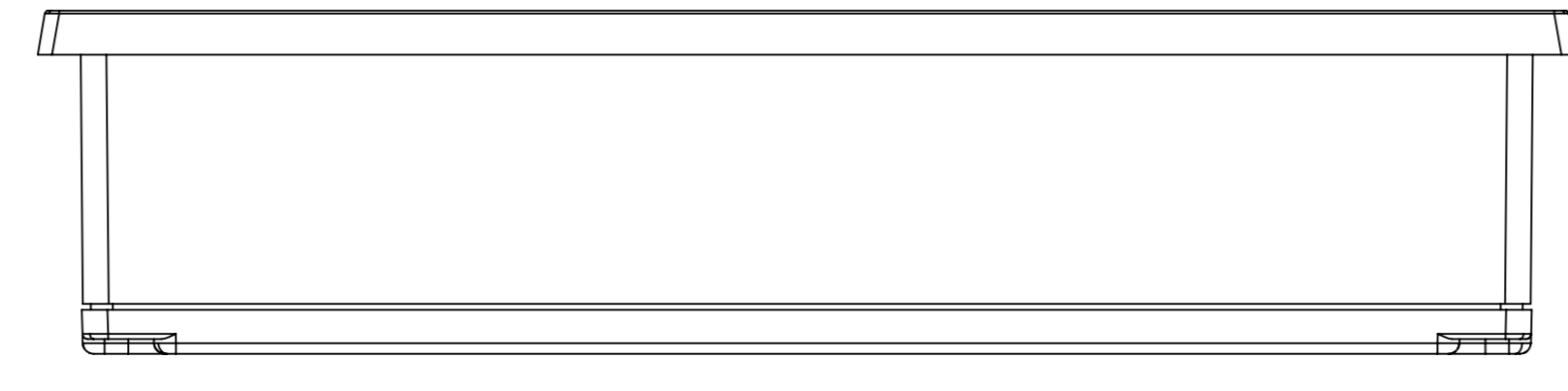


SURFACE-12 (INSIDE)

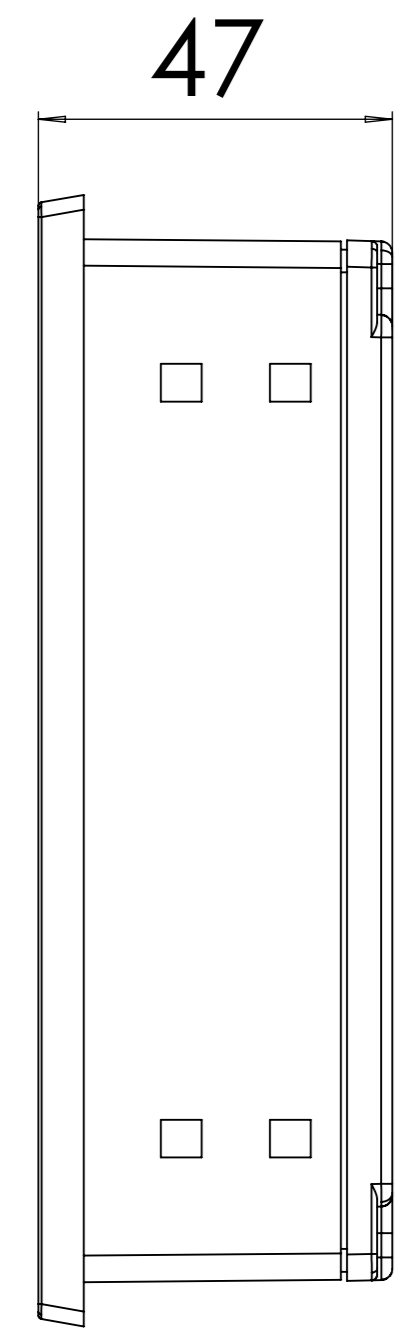


REV. NO	DATE	REVISED BY	DESCRIPTION OF CHANGE
 <b>ALTINKAYA</b> Electronic Enclosures & Components			<a href="http://www.altinkaya.com">www.altinkaya.com</a>
Customer Name :		Customer Ref. :	
Altinkaya Ref :		Part Name: OP-358-K	
DRAWN	NAME	DATE	Drawn From:
CHECKED	Y.YEL	6.11.2024	Weight:
DIMENSIONAL TOLERANCES UNLESS OTHERWISE SPECIFIED (DIN7168)			UNIT: mm
	0.5-3mm	3-6mm	6-30mm
	±0,1	±0,1	±0,2
		±0,3	±0,5
			Dimension(mm)
			m (medium)

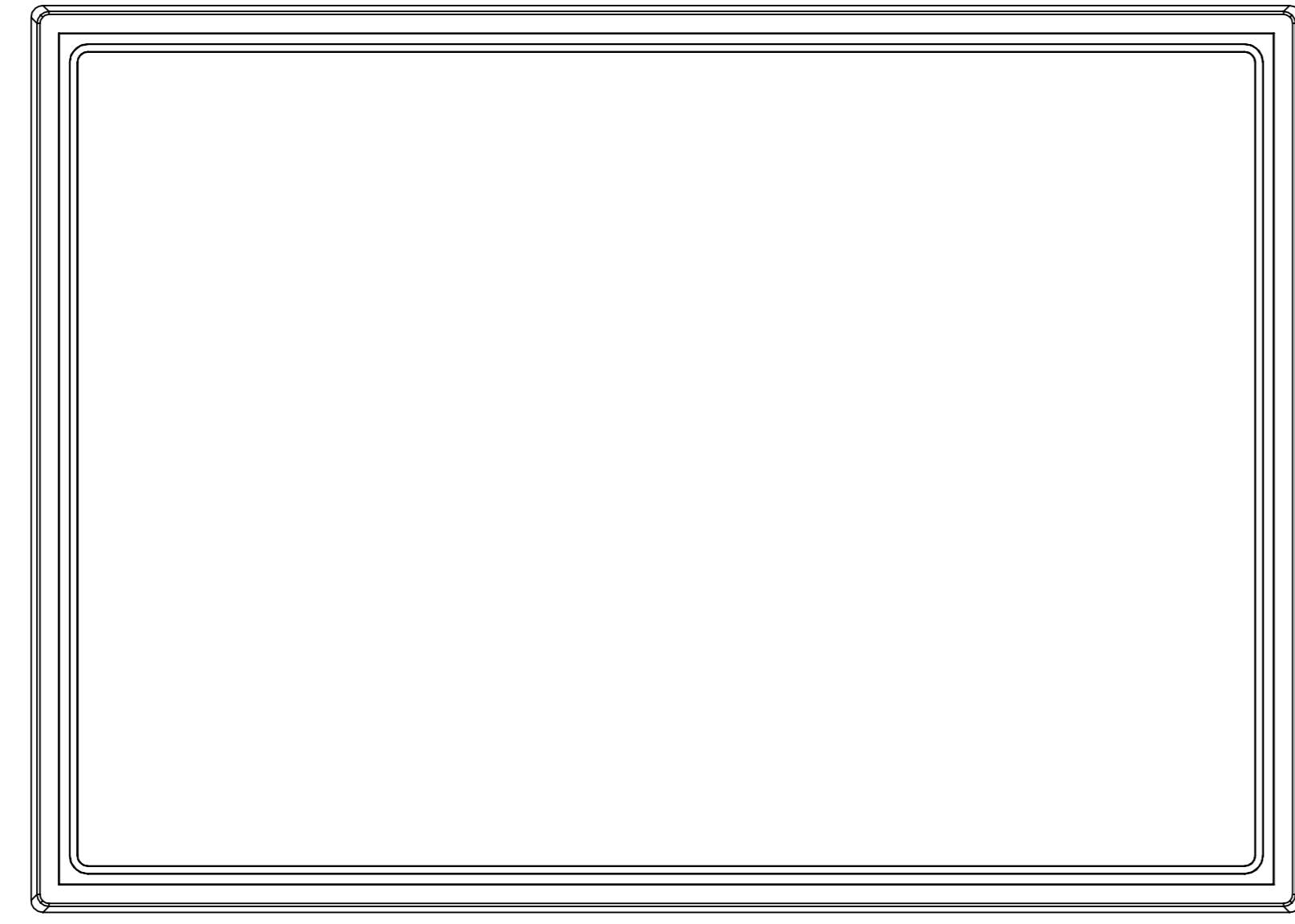
**OP-358-K IF MACHINED TOGETHER**



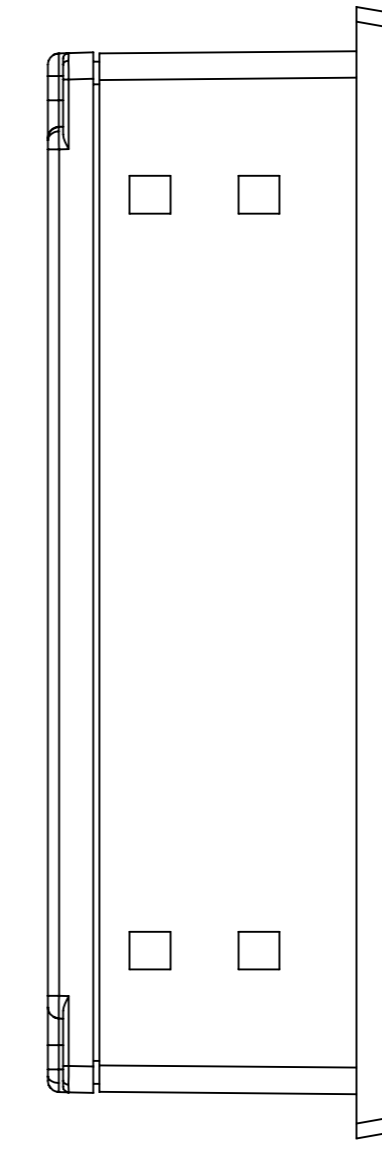
SURFACE-13



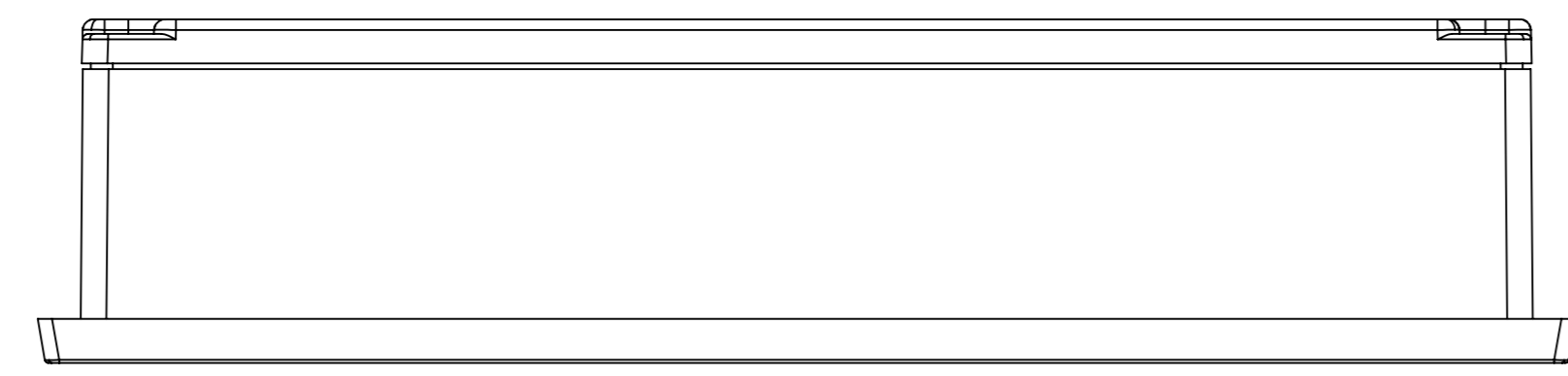
SURFACE-15



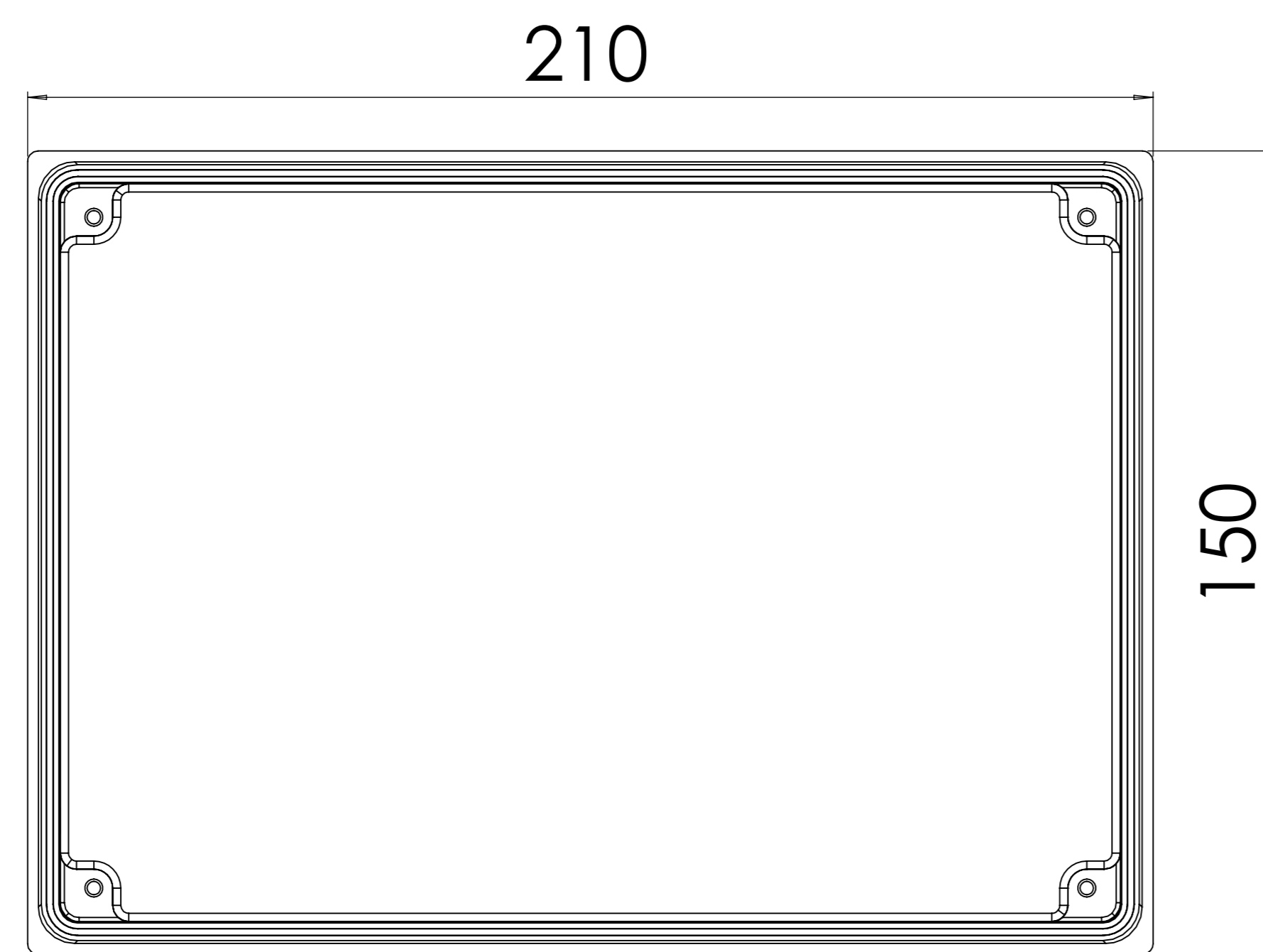
SURFACE-17



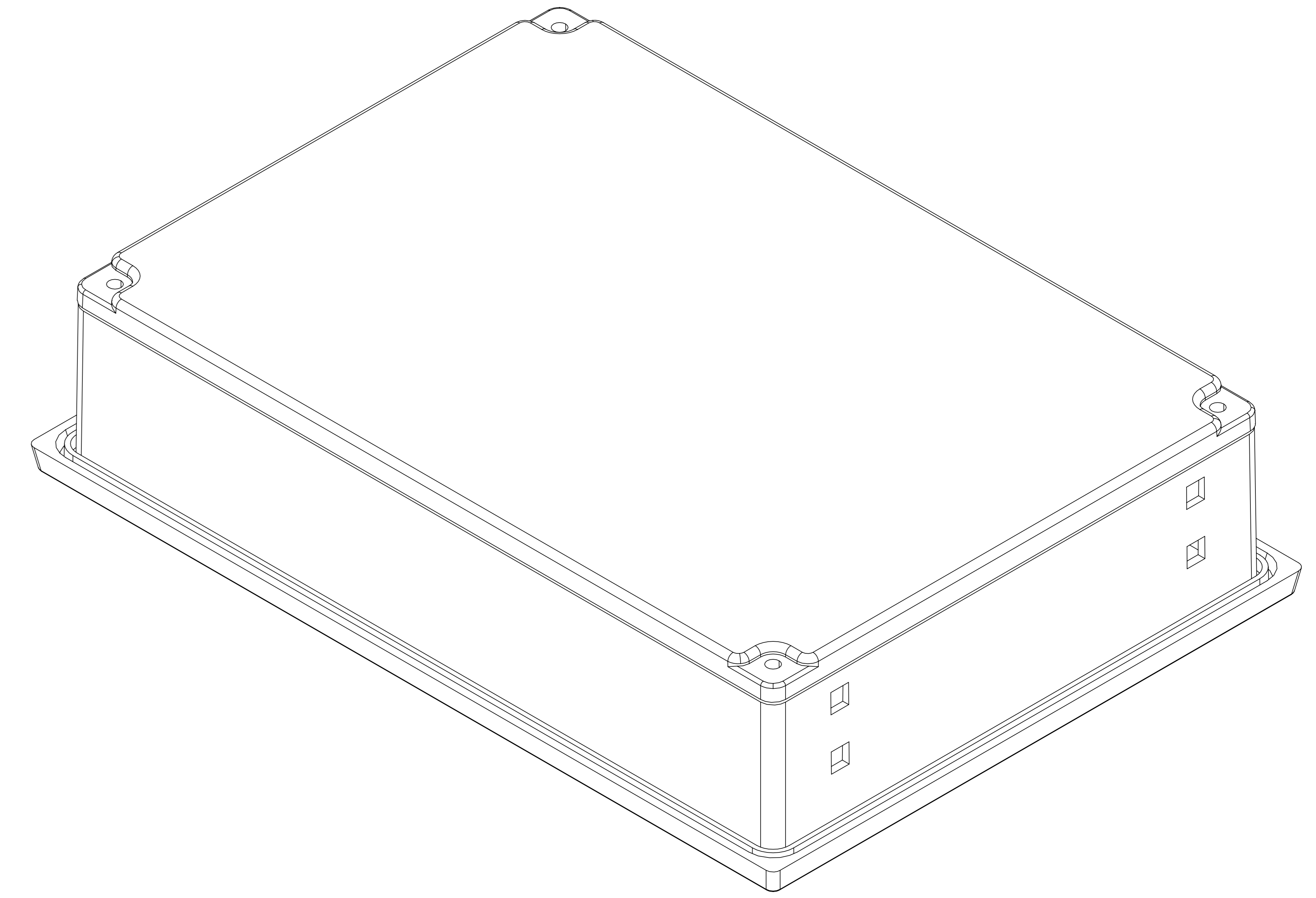
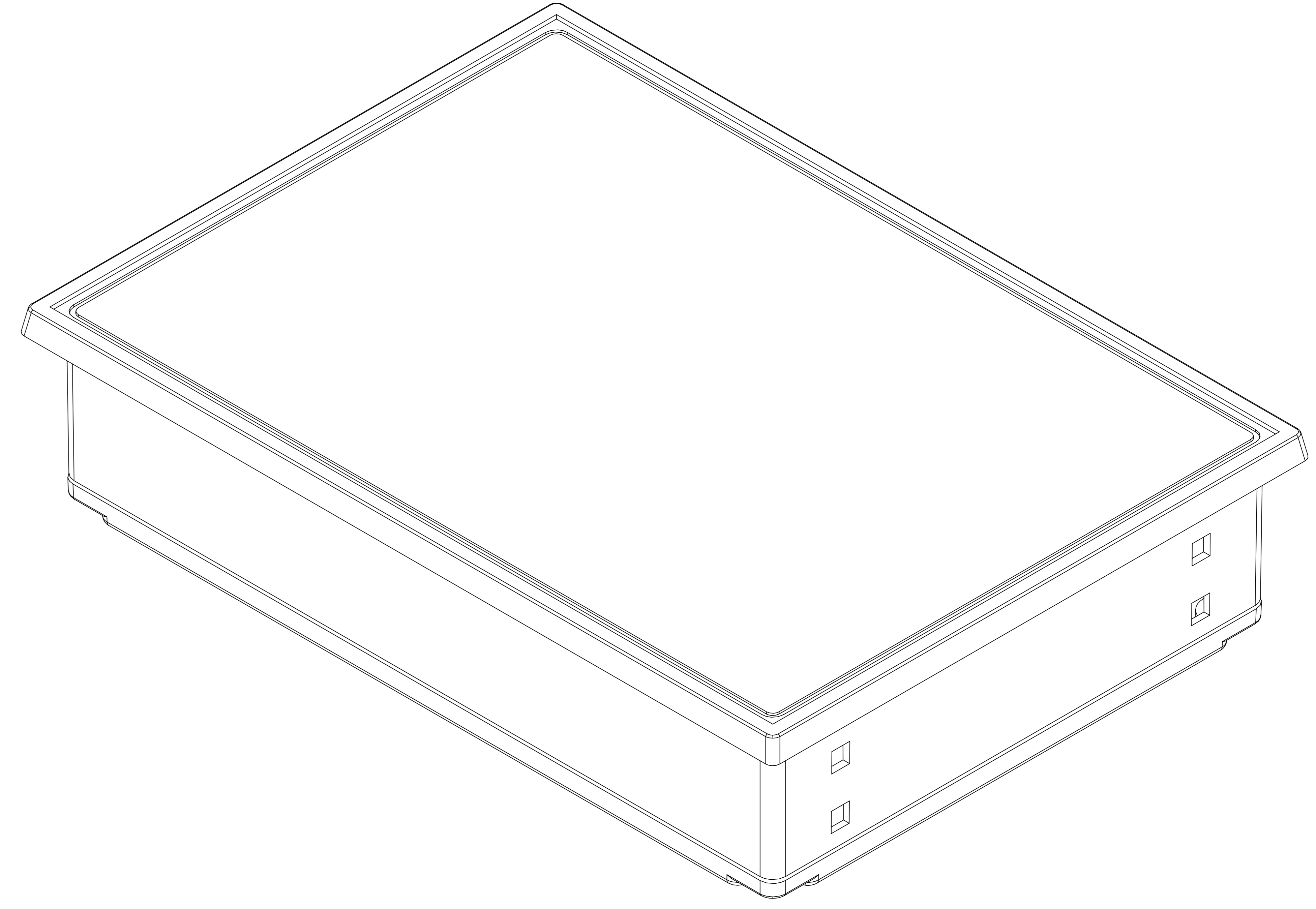
SURFACE-16



SURFACE-14



SURFACE-18



REV. NO	DATE	REVISED BY	DESCRIPTION OF CHANGE
 <b>ALTINKAYA</b> Electronic Enclosures & Components			<a href="http://www.altinkaya.com">www.altinkaya.com</a>
Customer Name :		Customer Ref. :	
Altinkaya Ref :		Part Name: OP-358-K	
DRAWN	NAME	DATE	Drawn From:
CHECKED	Y.YEL	6.11.2024	Material:
DIMENSIONAL TOLERANCES UNLESS OTHERWISE SPECIFIED (DIN7168)			Weight:
±0,1	±0,1	±0,2	±0,3
±0,5	UNIT: mm		Dimension(mm)
m (medium)		S1	