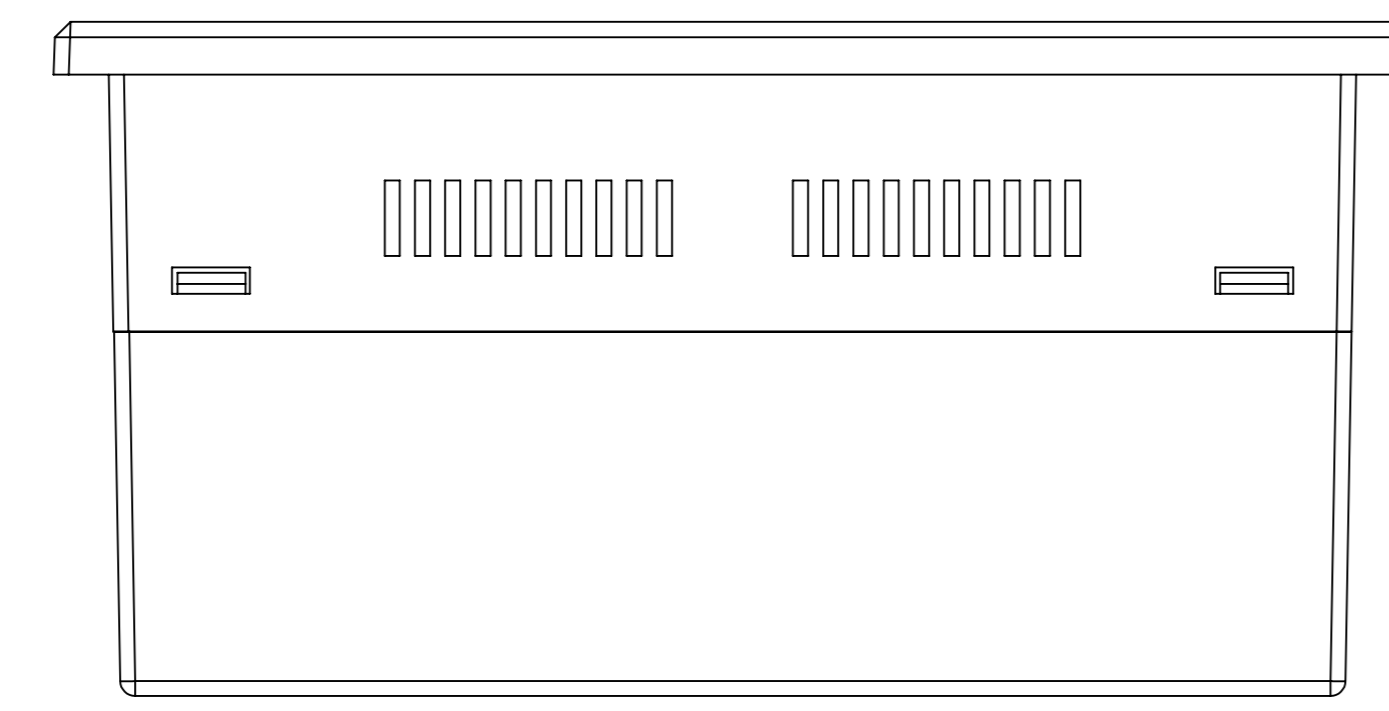


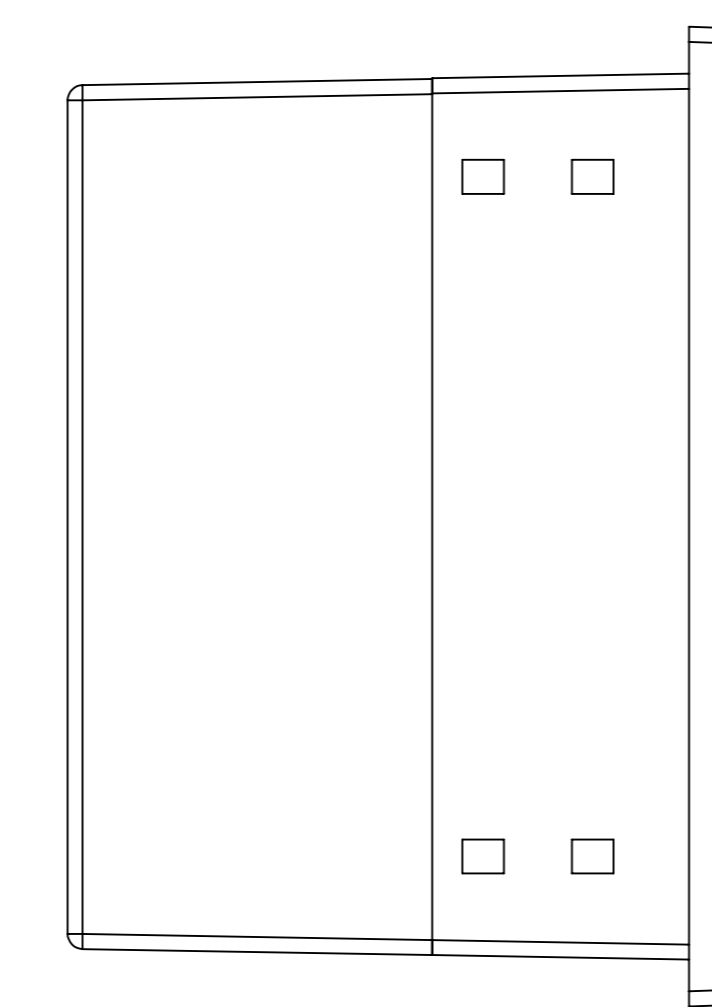
OP-310 IF MACHINED TOGETHER



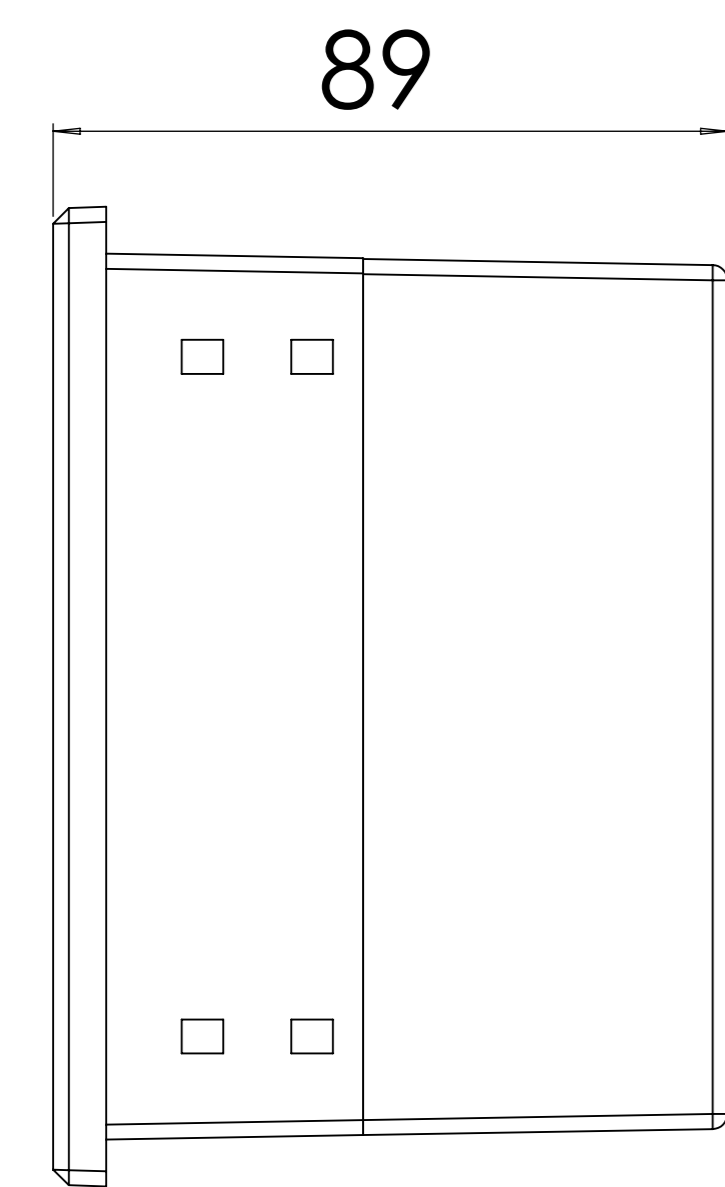
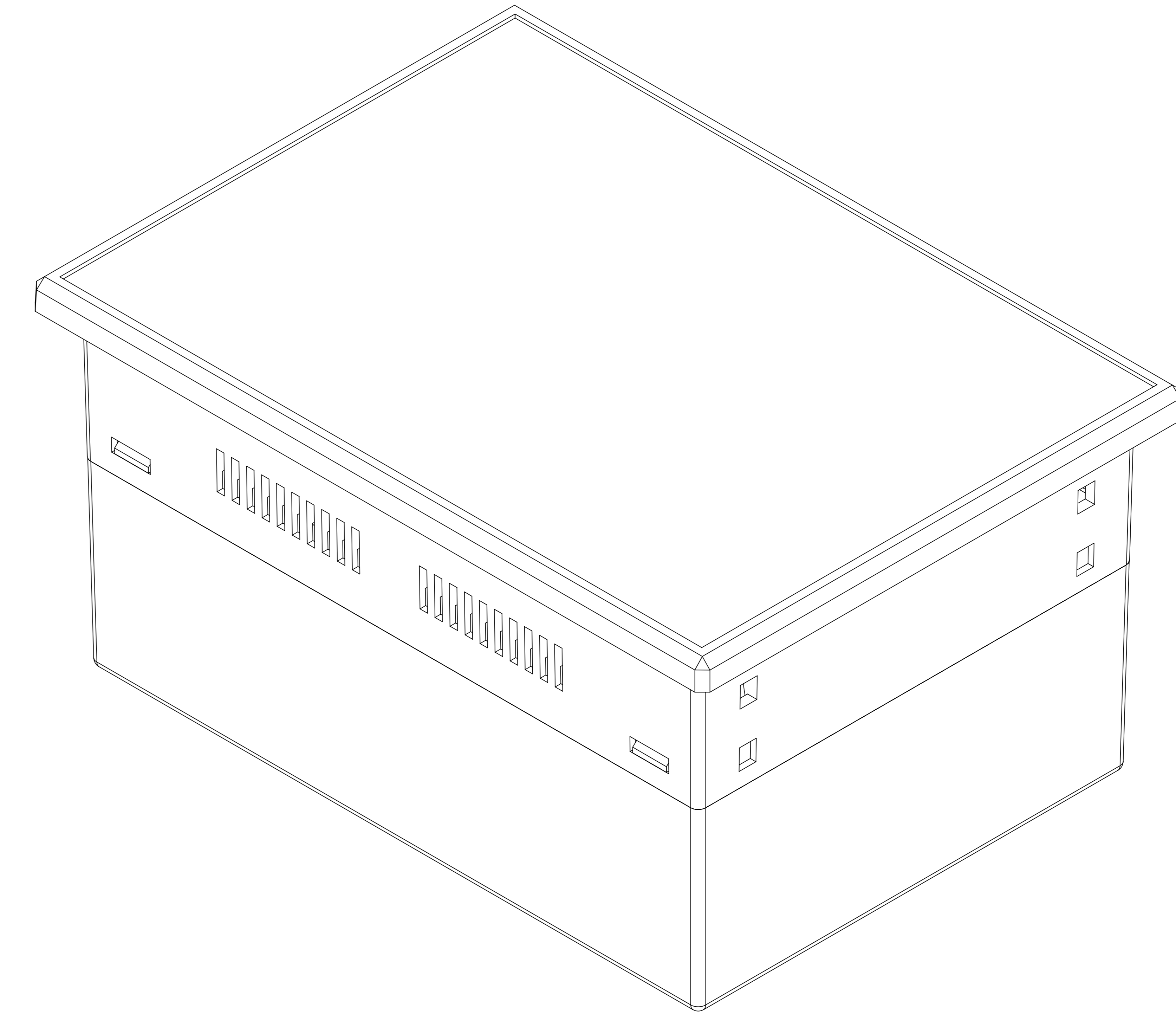
SURFACE-13



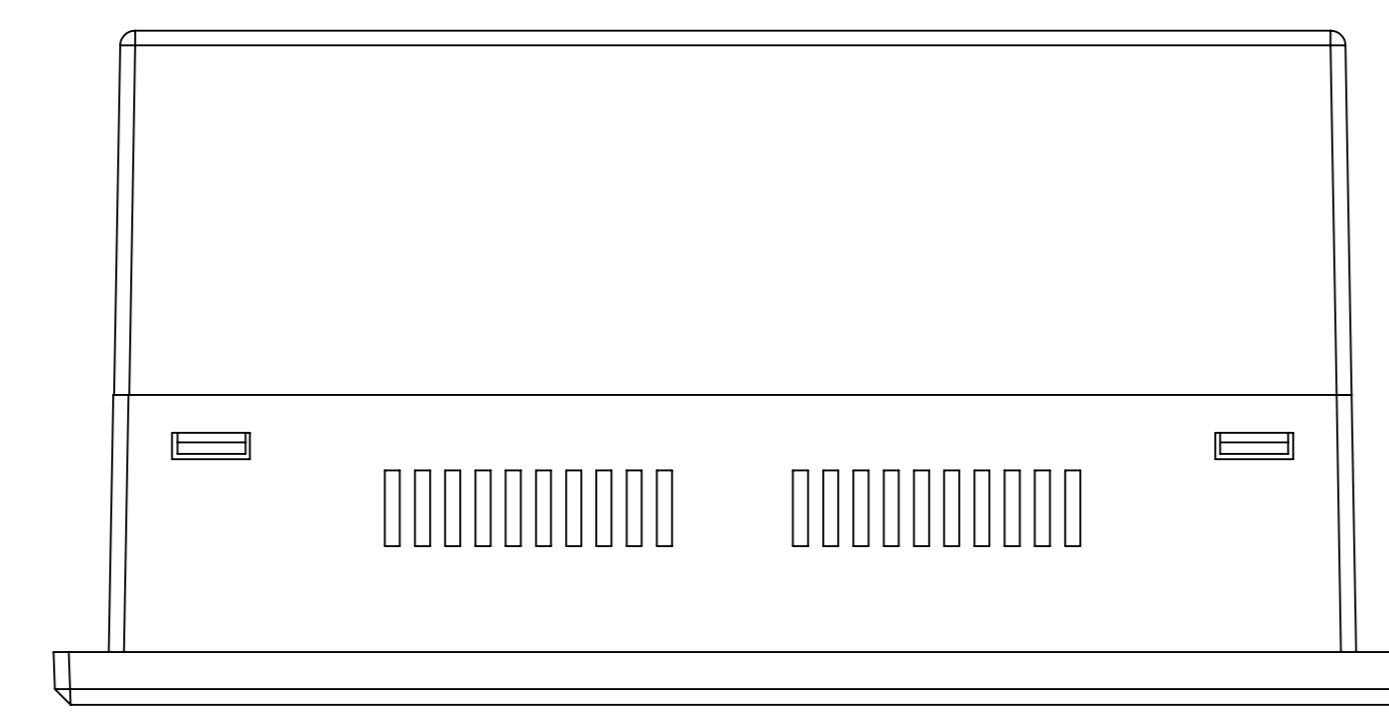
SURFACE-17



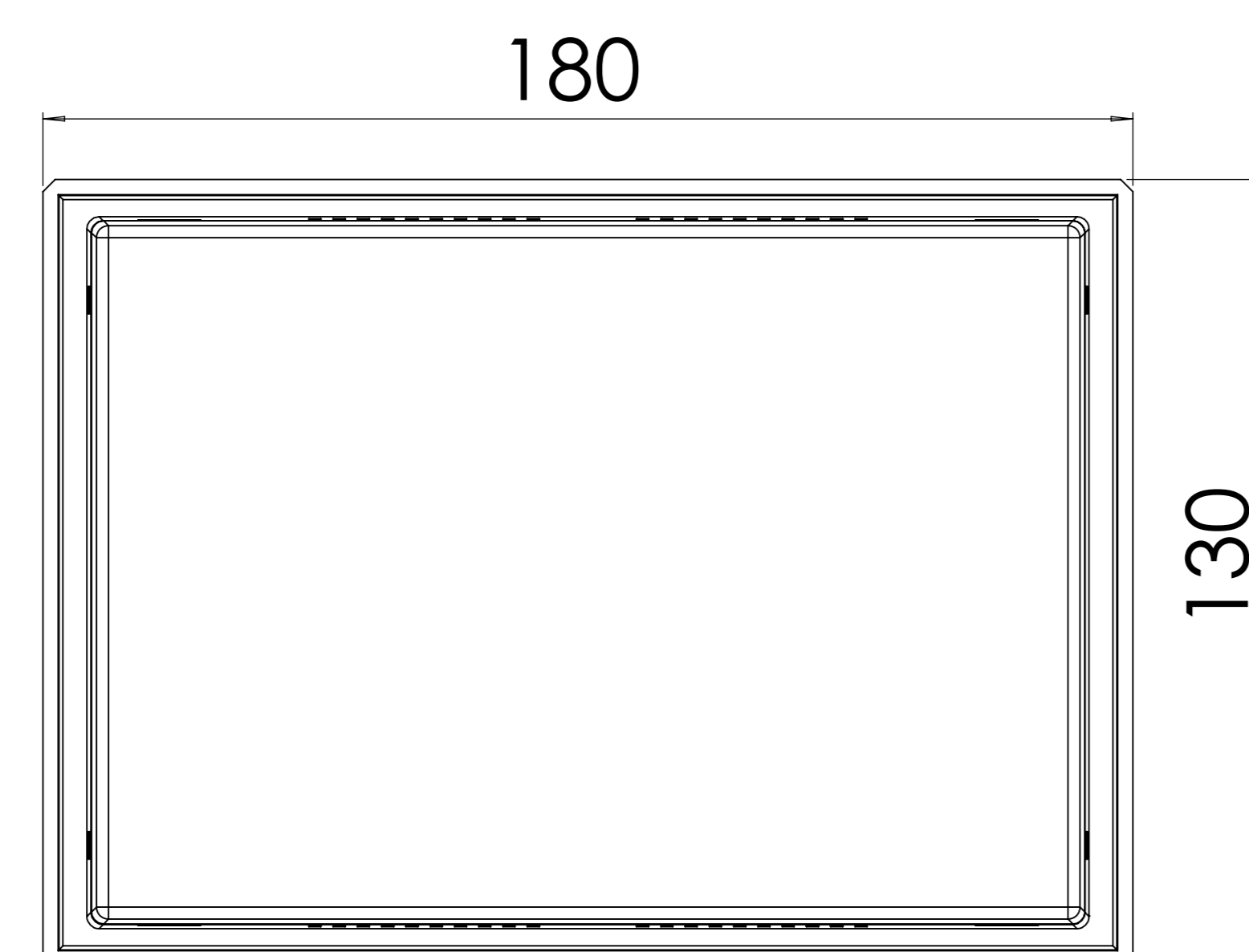
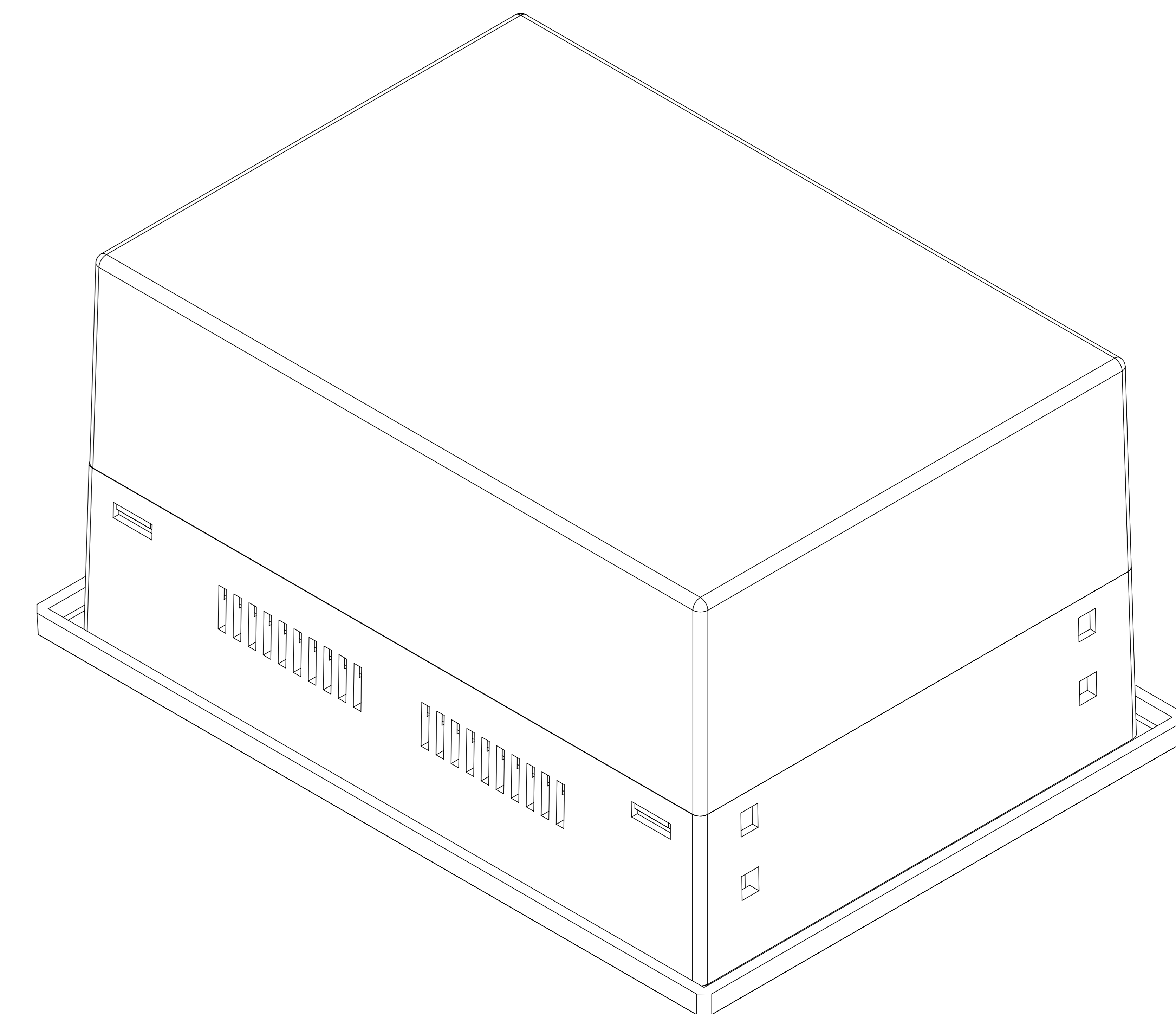
SURFACE-16



SURFACE-15



SURFACE-14



SURFACE-18

REV. NO	DATE	REVISED BY	DESCRIPTION OF CHANGE
ALTINKAYA Electronic Enclosures & Components			www.altinkaya.com
Customer Name :		Customer Ref. :	
Altinkaya Ref :		Part Name: OP-310	
	NAME	DATE	Drawn From:
DRAWN	S.YESILOZ	6.11.2024	Material:
CHECKED	Y.YEL	6.11.2024	Weight:
DIMENSIONAL TOLERANCES UNLESS OTHERWISE SPECIFIED (DIN7168)			UNIT: mm
	0.5-3mm	3-6mm	6-30mm
	±0,1	±0,1	±0,2
			±0,3
			±0,5
			Dimension(mm)
			m (medium)