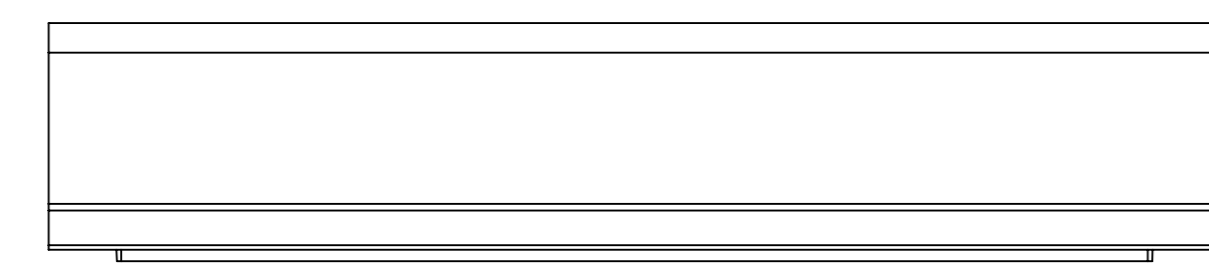
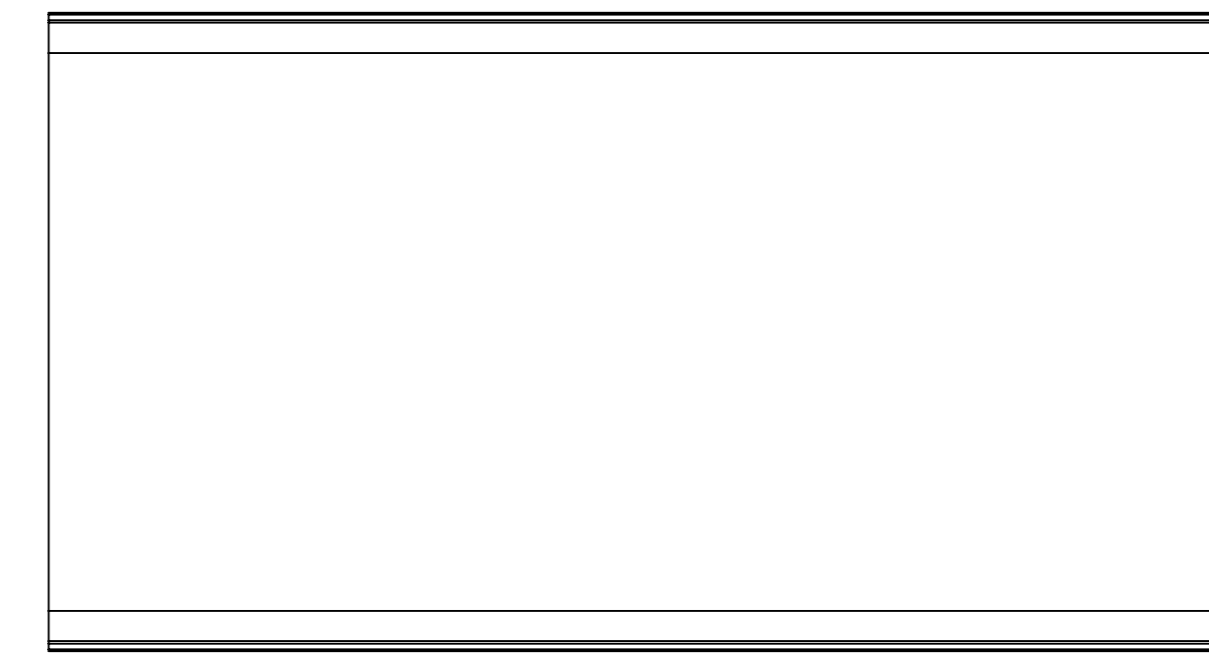


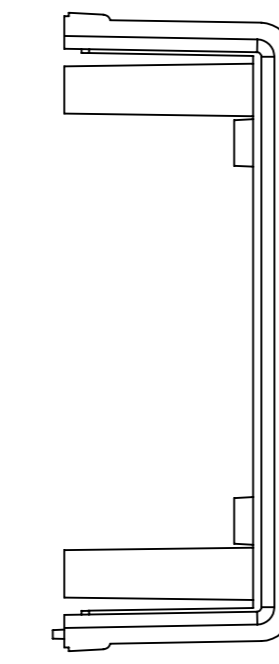
**BASE: 6 SURFACE**



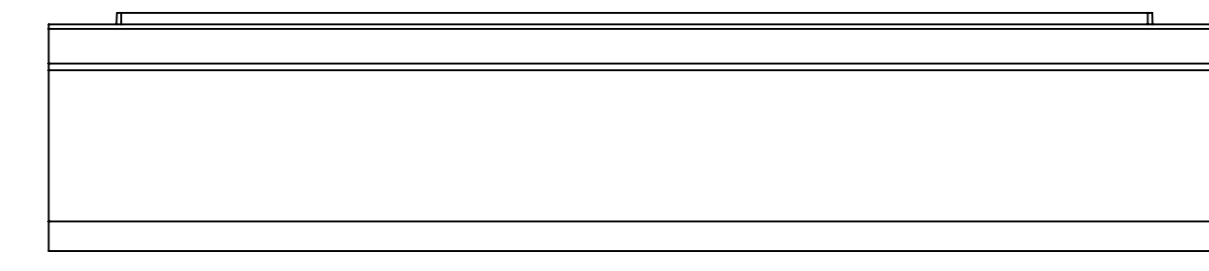
SURFACE-1



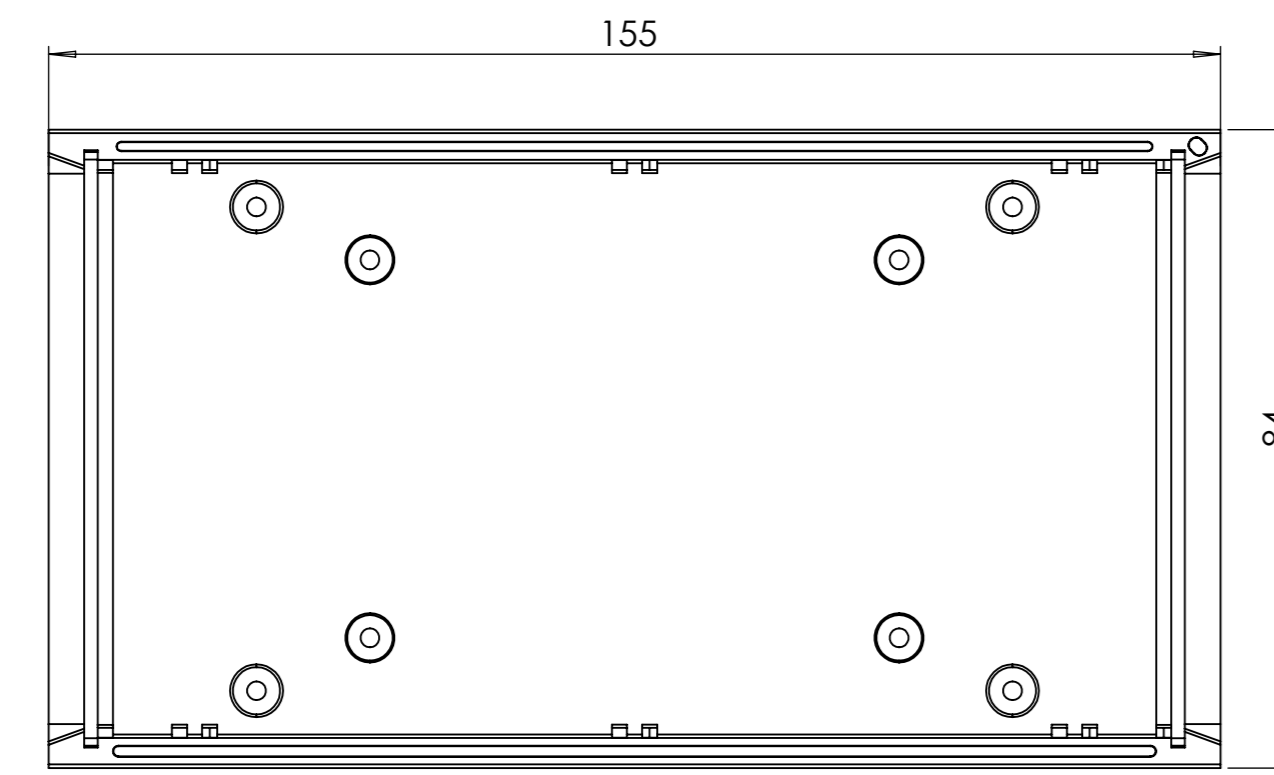
SURFACE-5



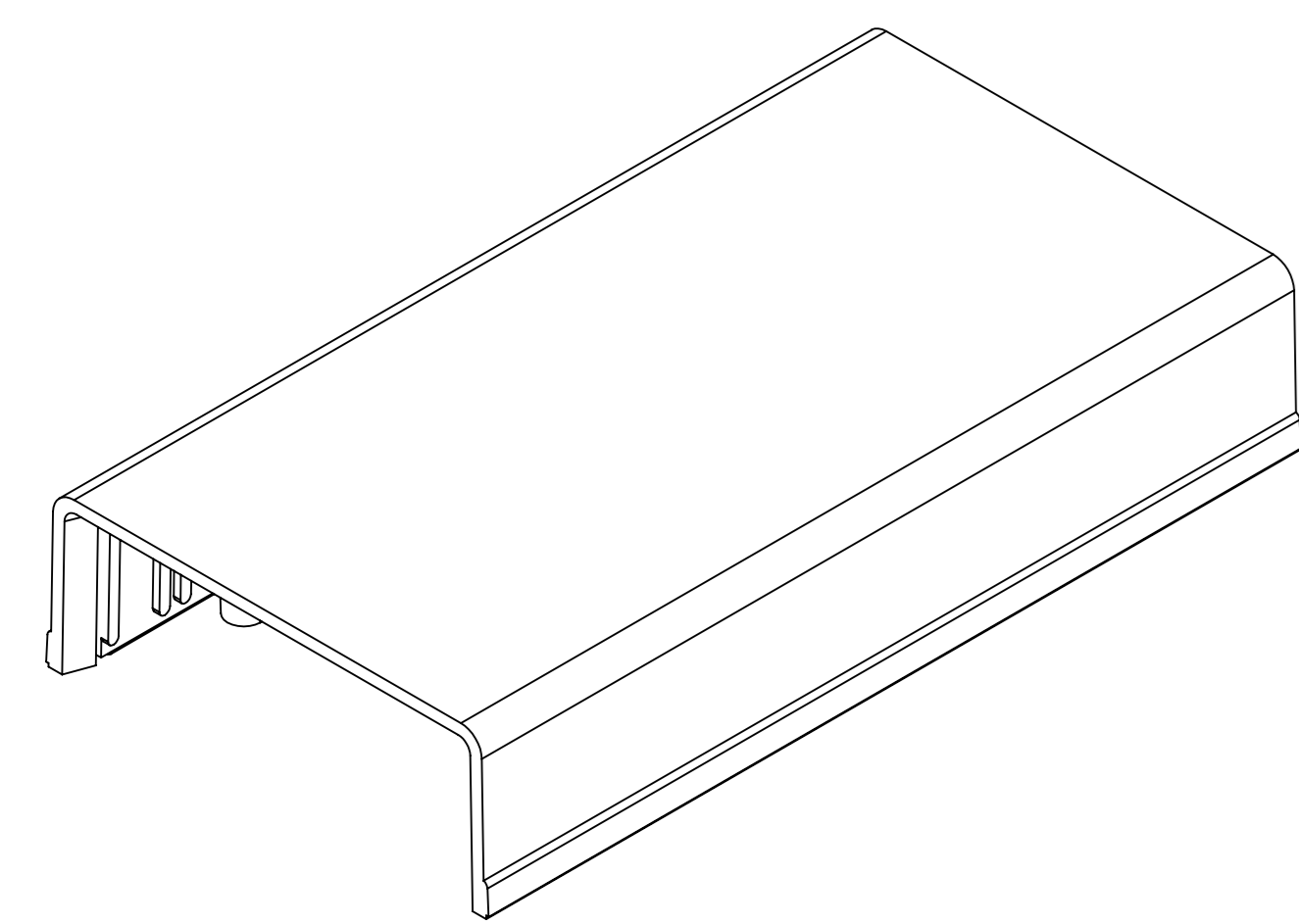
SURFACE-4



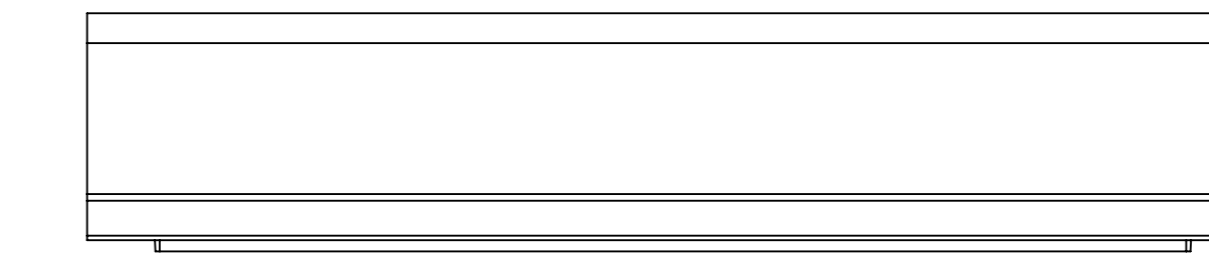
SURFACE-2



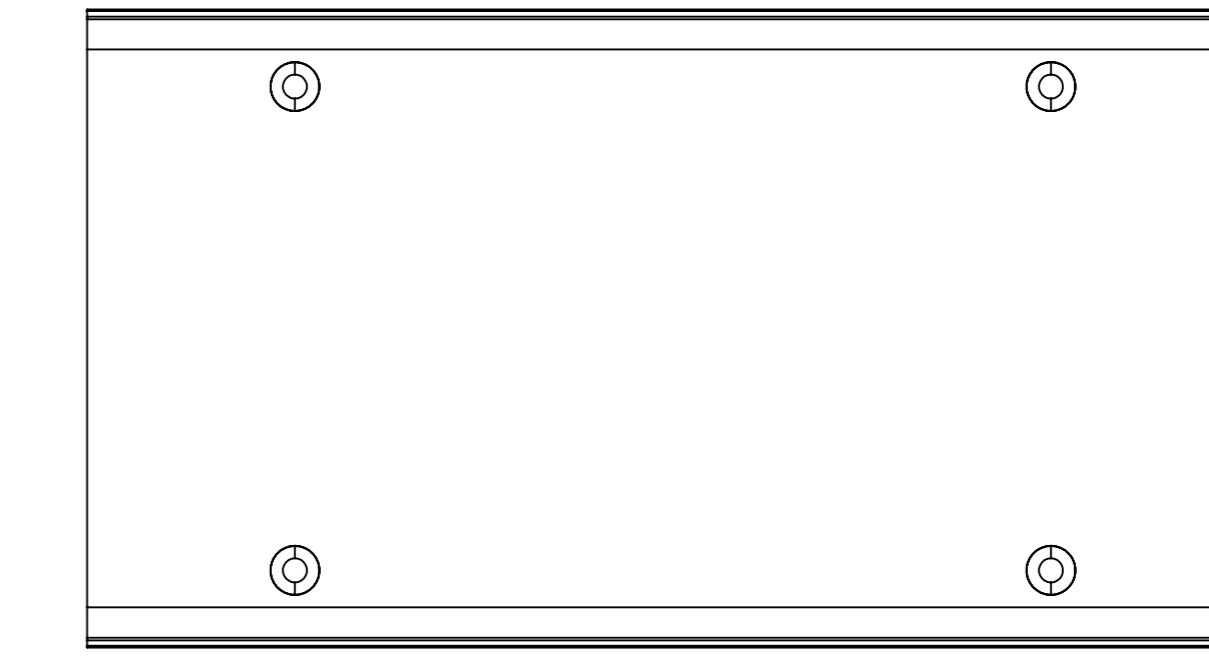
SURFACE-6 (INSIDE)



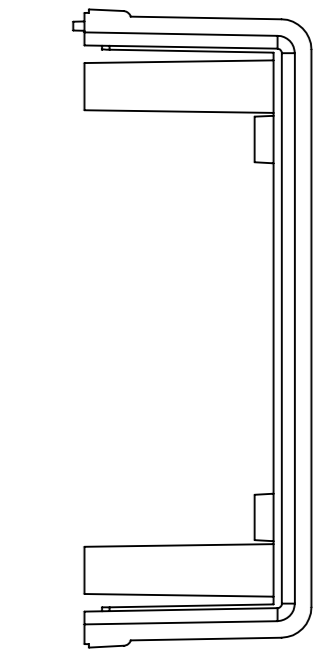
**COVER: 6 SURFACE**



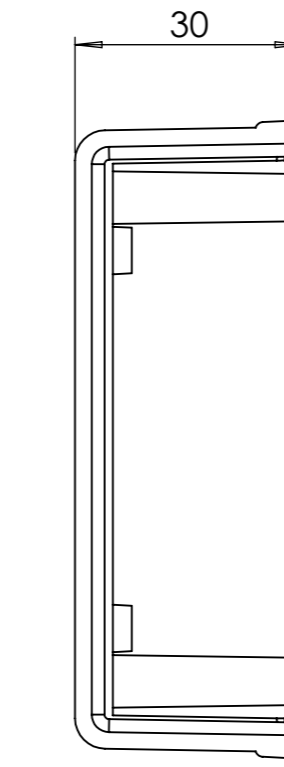
SURFACE-7



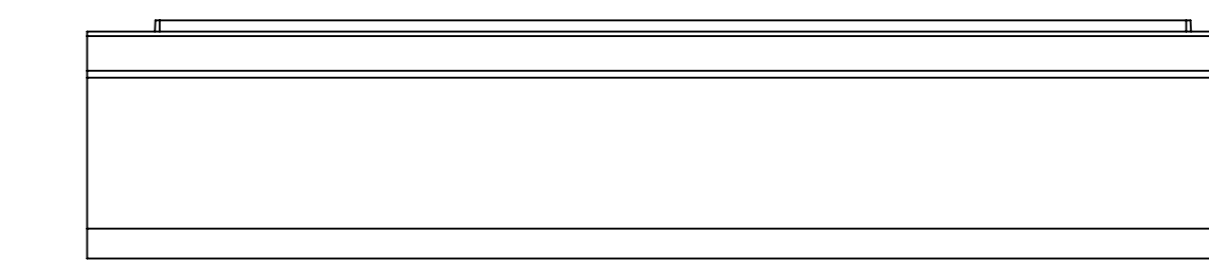
SURFACE-11



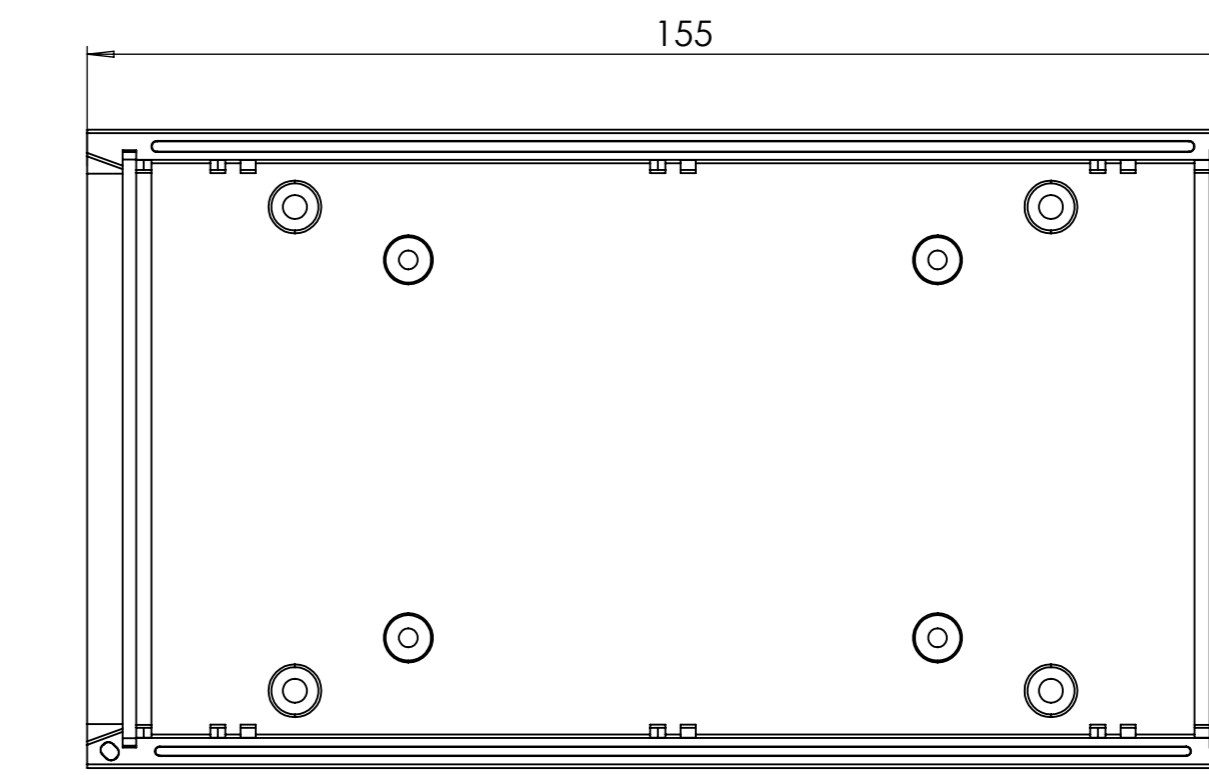
SURFACE-10



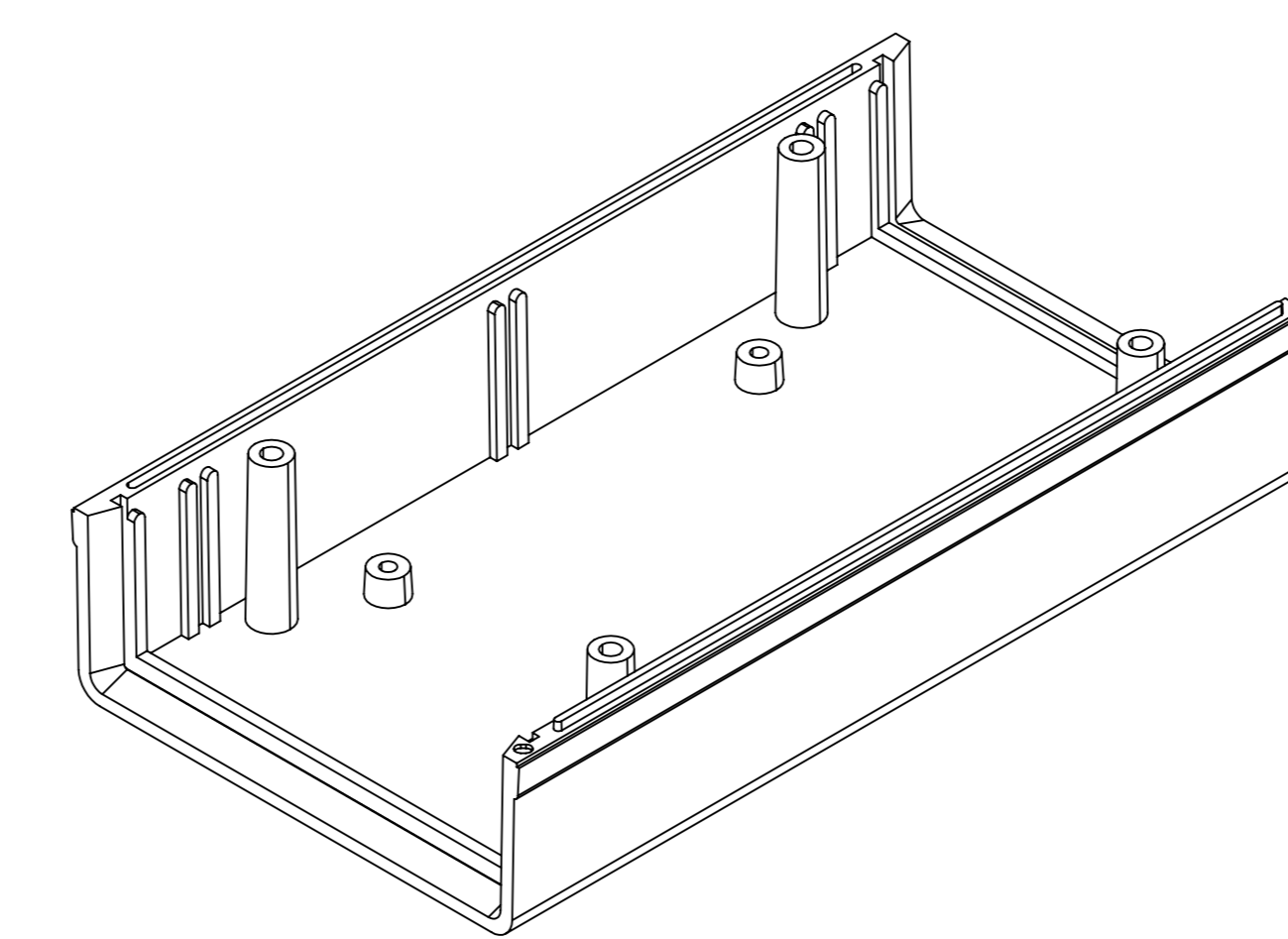
SURFACE-9



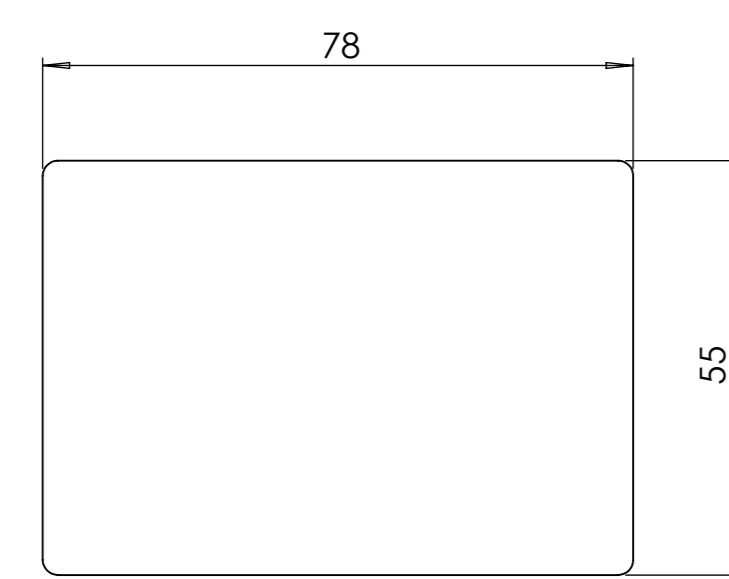
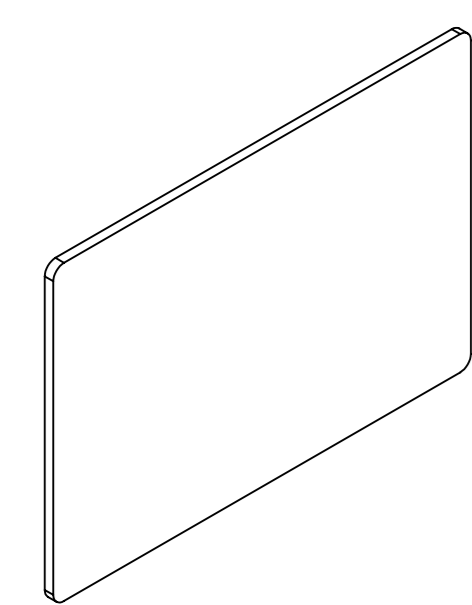
SURFACE-8



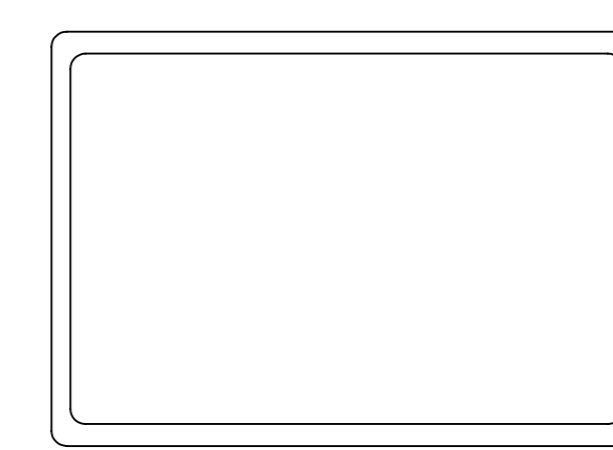
SURFACE-12 (INSIDE)



**PANEL-1: 2 SURFACE**

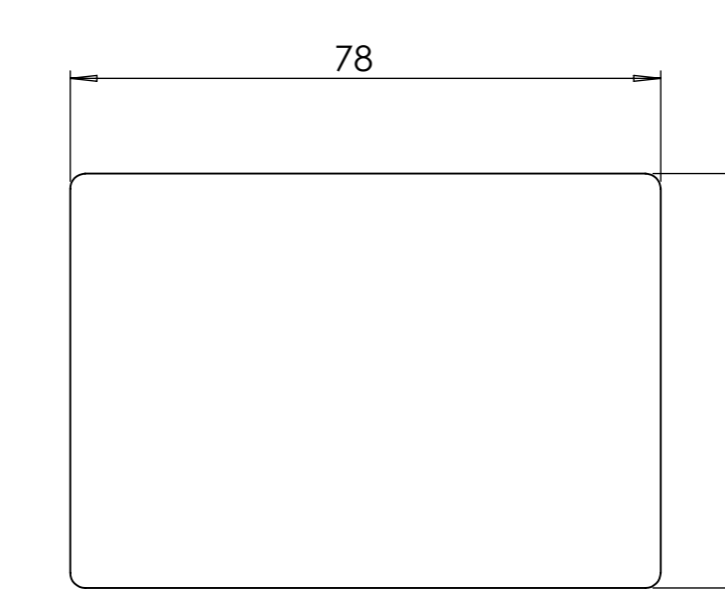
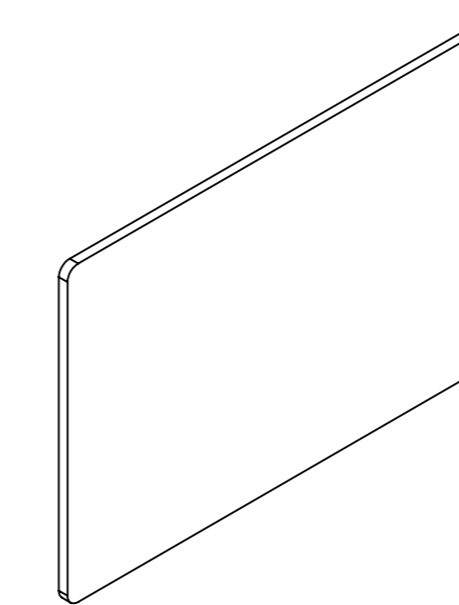


SURFACE-13

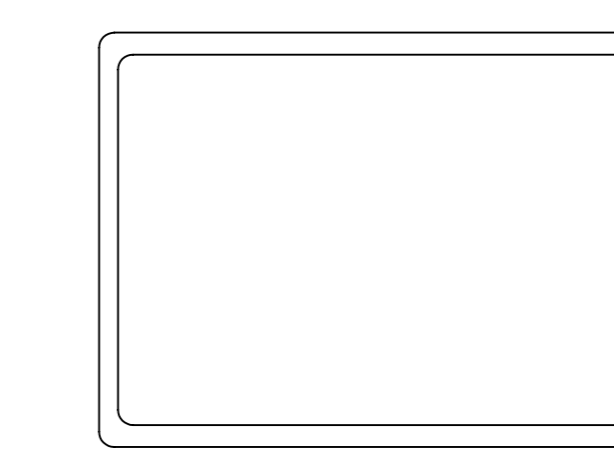


SURFACE-14

**PANEL-2: 2 SURFACE**



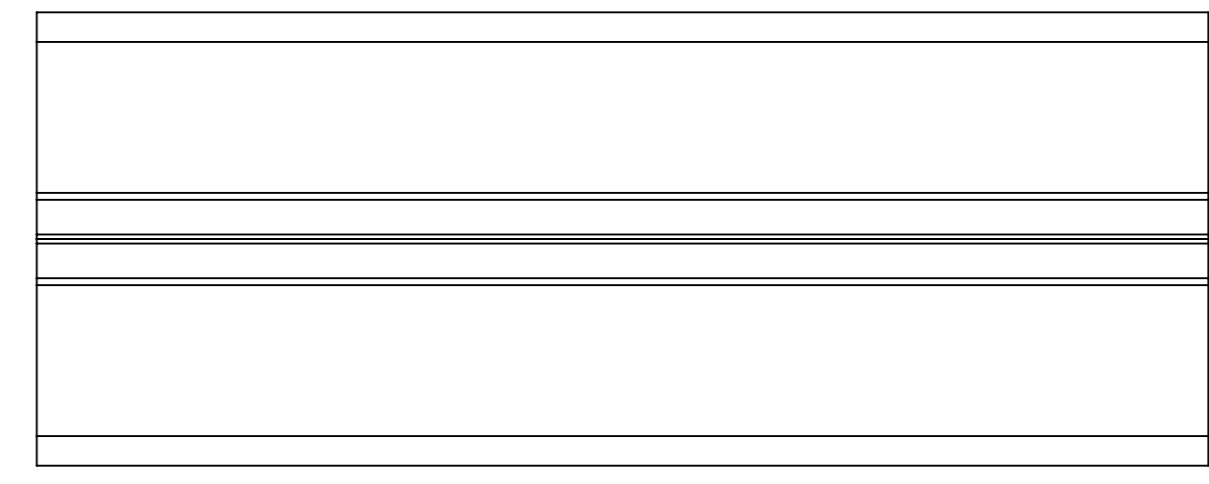
SURFACE-15



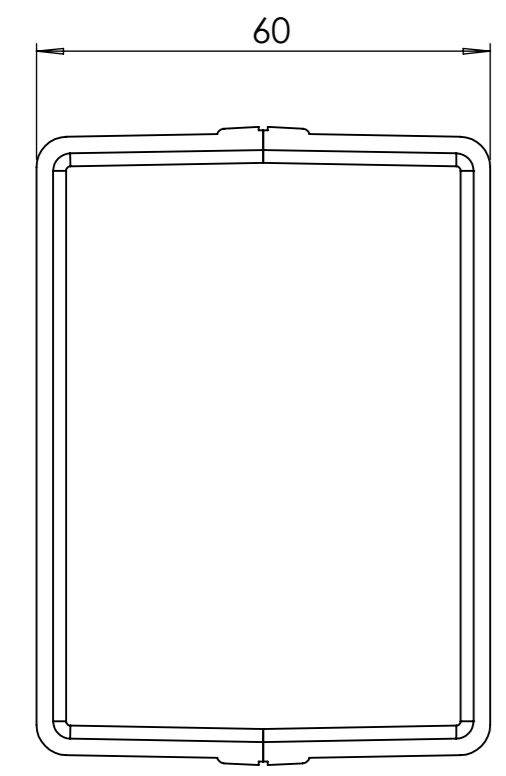
SURFACE-16

REV. NO	DATE	REVISED BY	DESCRIPTION OF CHANGE
 <b>ALTINKAYA</b> Electronic Enclosures & Components			
Customer Name :		Customer Ref. :	
Altinkaya Ref :		Part Name: HH-8282	
DRAWN	NAME	DATE	Drawn From:
CHECKED	Y.YEL	14.10.2024	Weight:
DIMENSIONAL TOLERANCES UNLESS OTHERWISE SPECIFIED (DIN7168)			UNIT: mm
	±0,1	±0,1	±0,2 ±0,3 ±0,5
	0,5-3mm	3-6mm	6-30mm 30-120mm 120-400mm
			Dimension(mm)

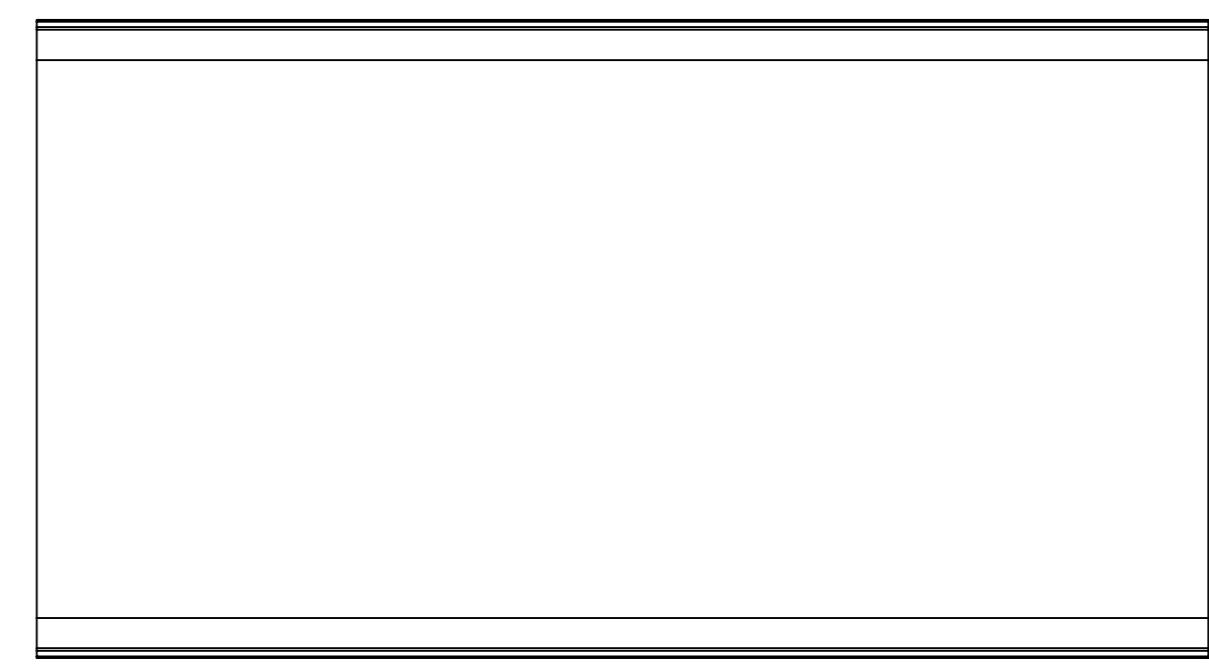
**HH-8282 IF MACHINED TOGETHER**



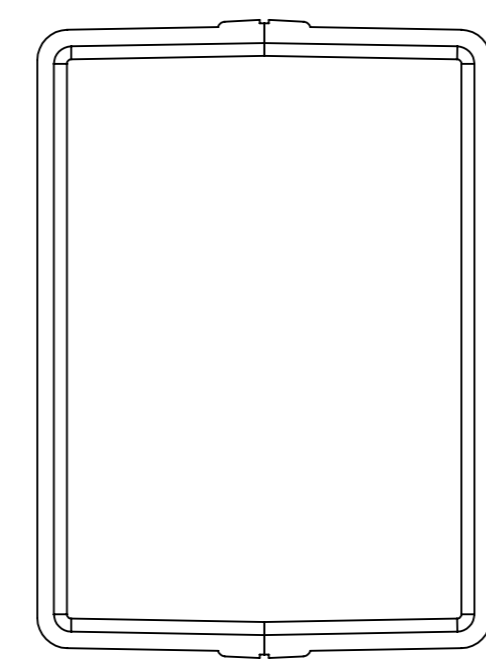
SURFACE-17



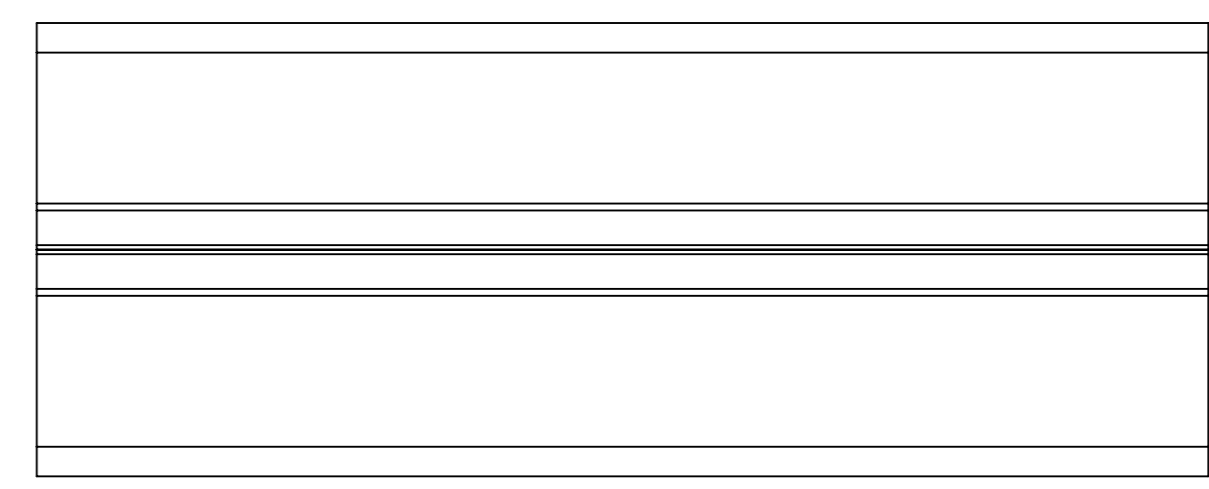
SURFACE-19



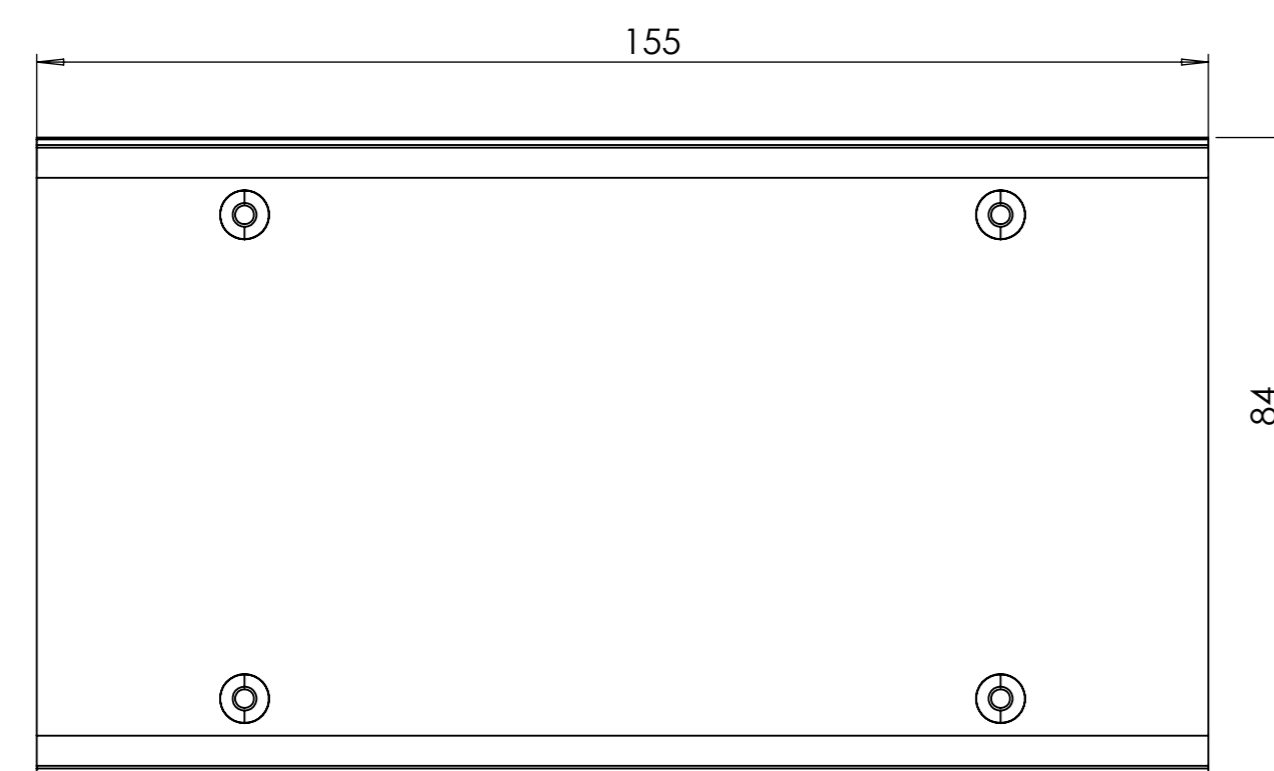
SURFACE-21



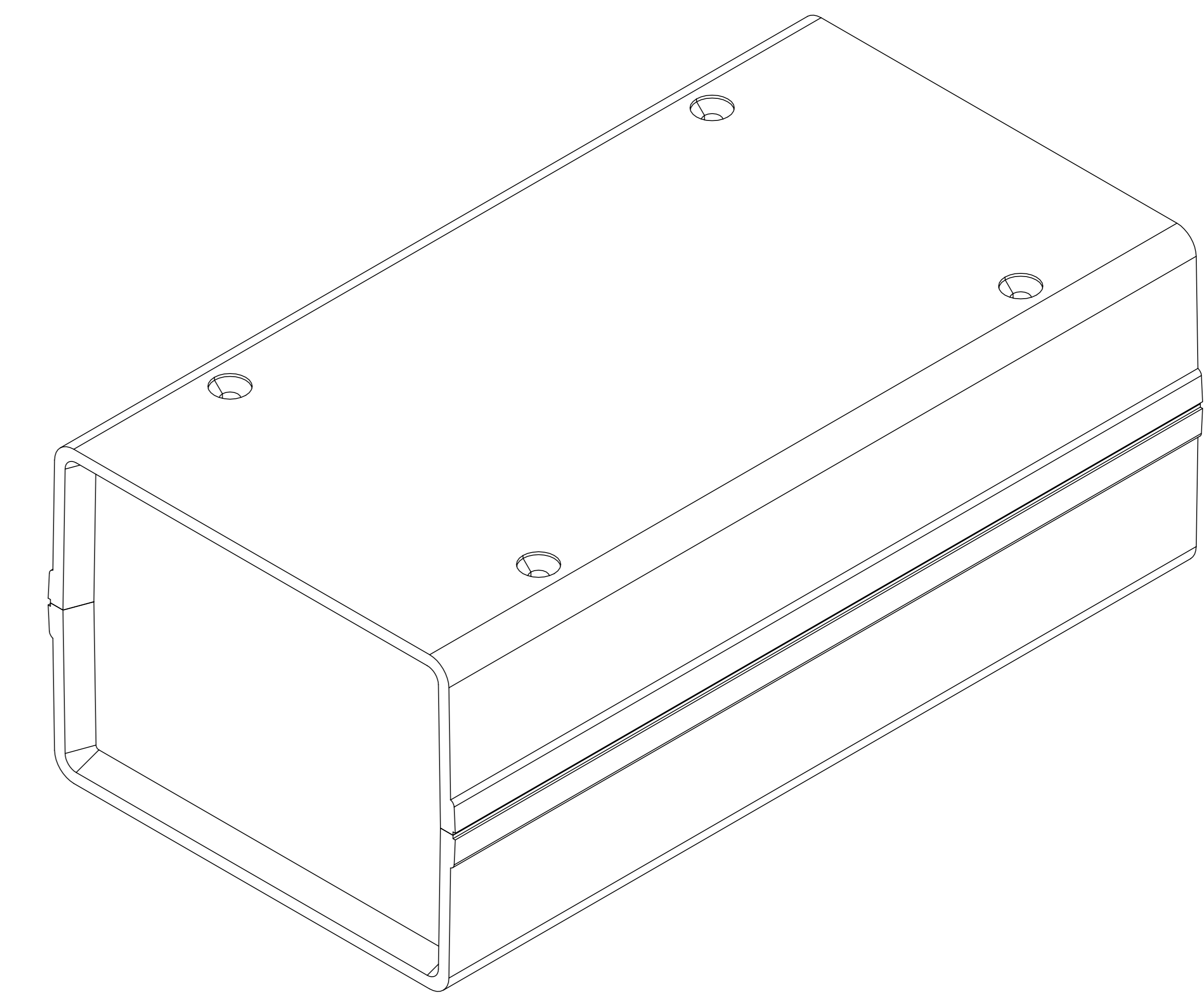
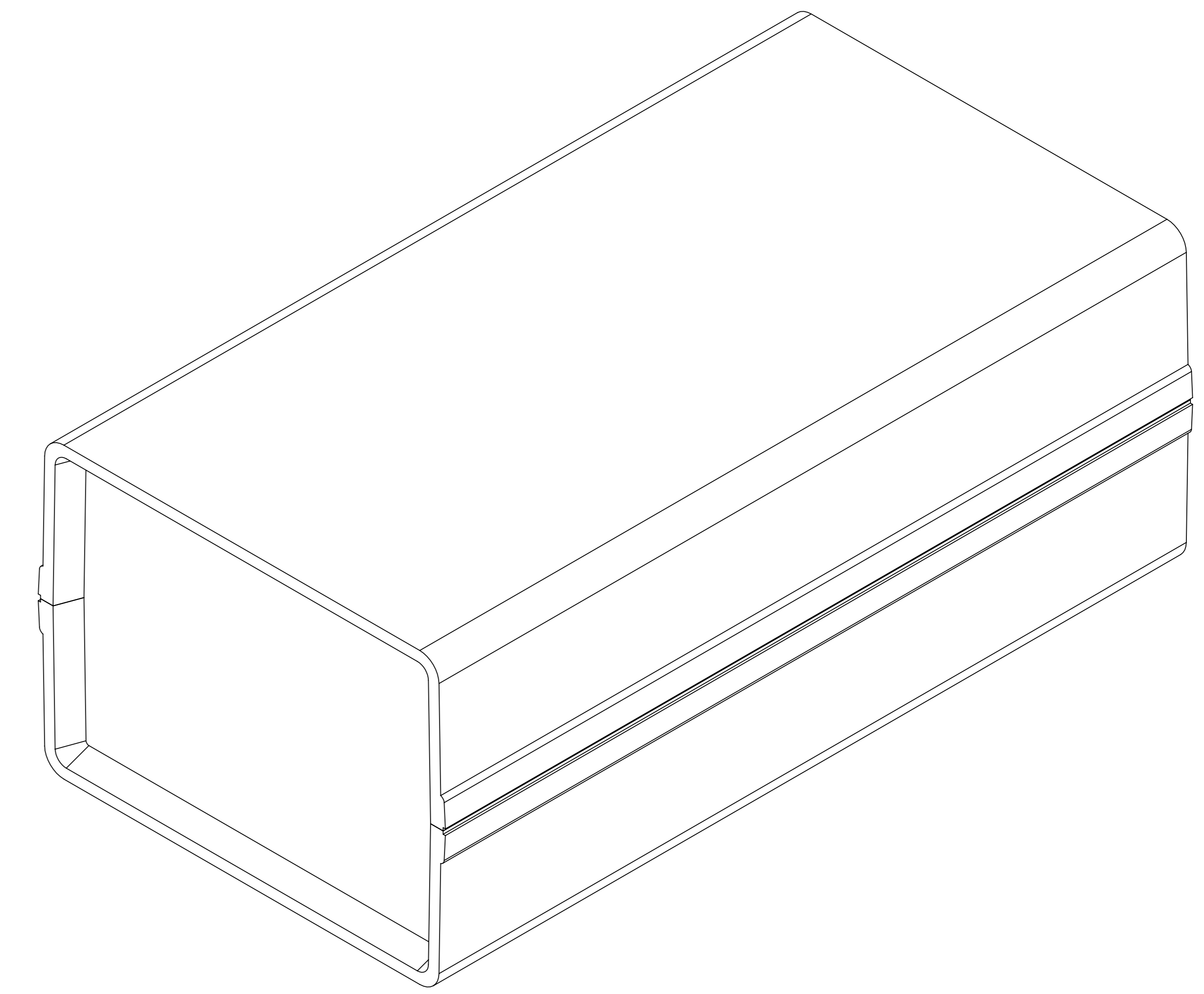
SURFACE-20




SURFACE-18



SURFACE-22



REV. NO	DATE	REVISED BY	DESCRIPTION OF CHANGE			
 <b>ALTINKAYA</b> Electronic Enclosures & Components			<a href="http://www.altinkaya.com">www.altinkaya.com</a>			
Customer Name :		Customer Ref. :				
Altinkaya Ref :		Part Name: HH-8282				
	NAME	DATE	Drawn From:			
DRAWN	S.YESILOZ	14.10.2024	Material:			
CHECKED	Y.YEL	14.10.2024	Weight:			
DIMENSIONAL TOLERANCES UNLESS OTHERWISE SPECIFIED (DIN7168)			UNIT: mm			
	0.5-3mm	3-6mm	6-30mm	30-120mm	120-400mm	Dimension(mm)
	±0,1	±0,1	±0,2	±0,3	±0,5	m (medium)