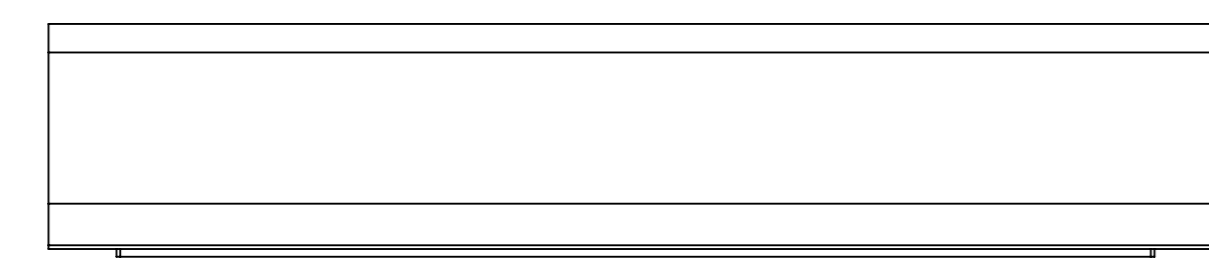
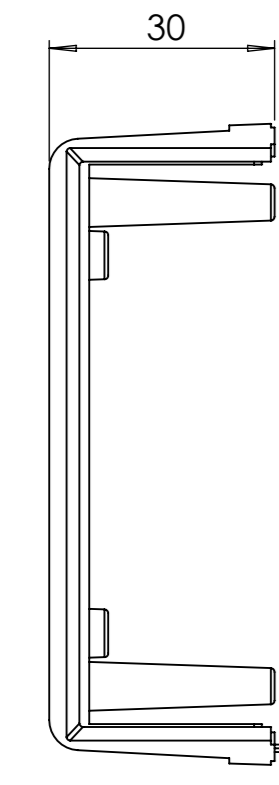


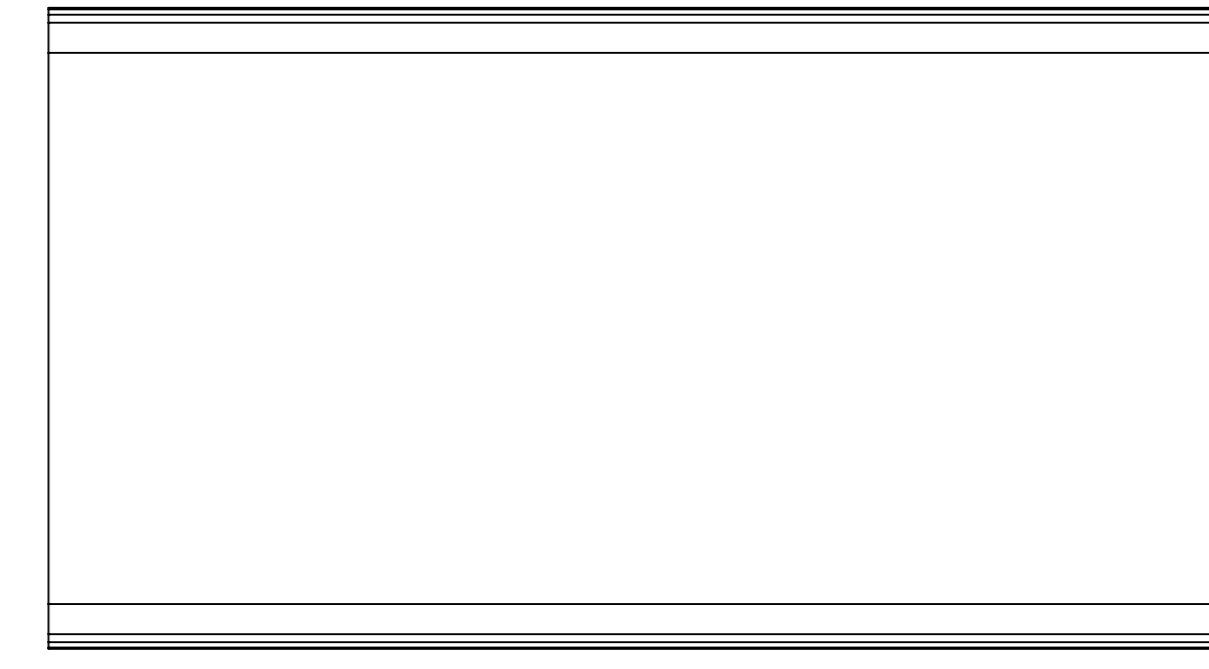
BASE: 6 SURFACE



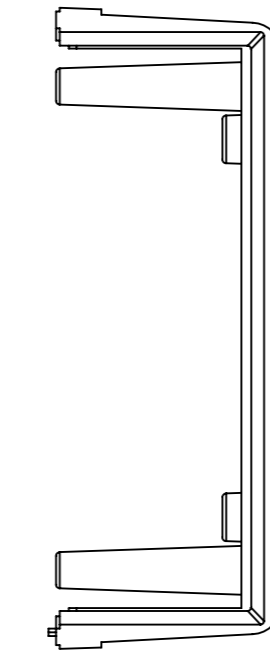
SURFACE-1



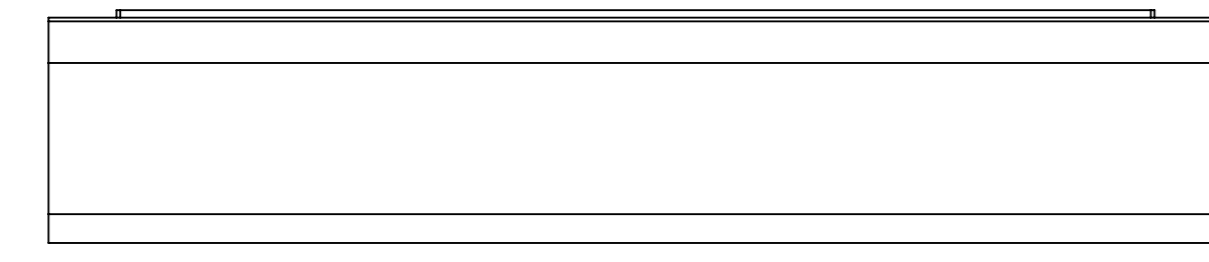
SURFACE-3



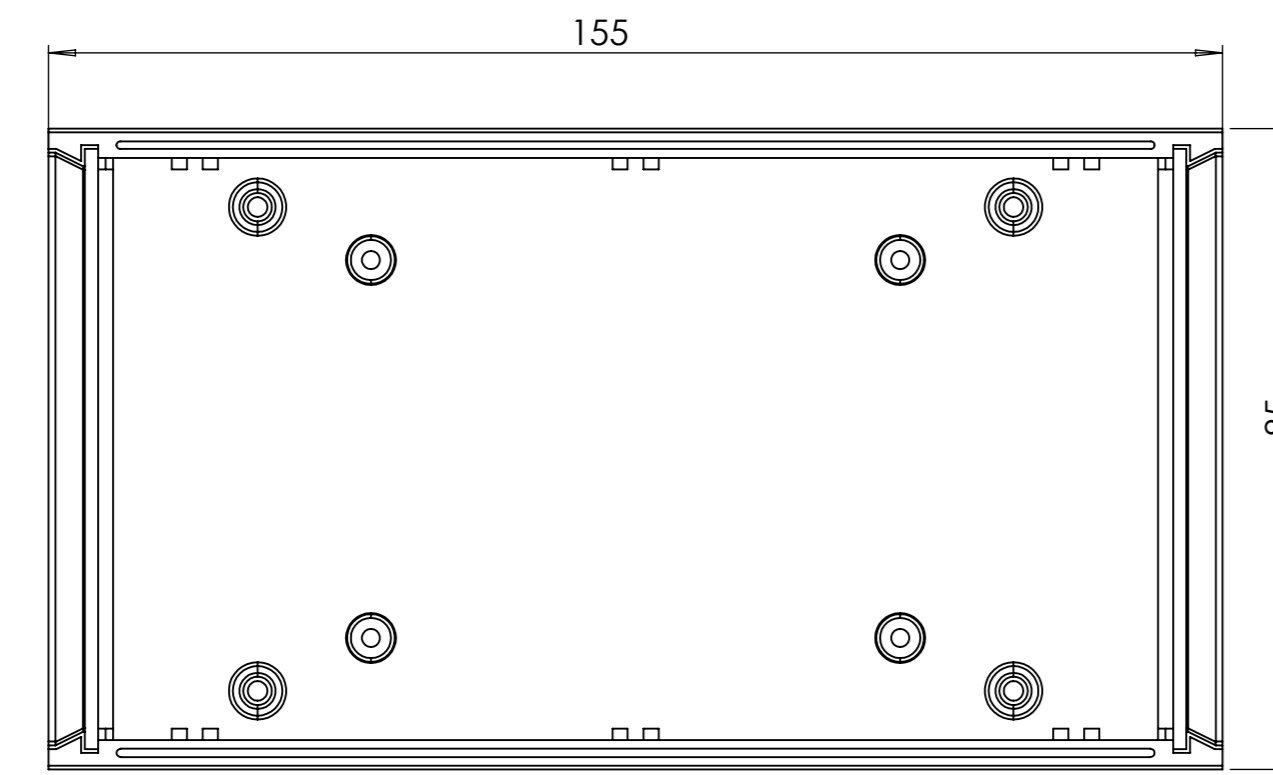
SURFACE-5



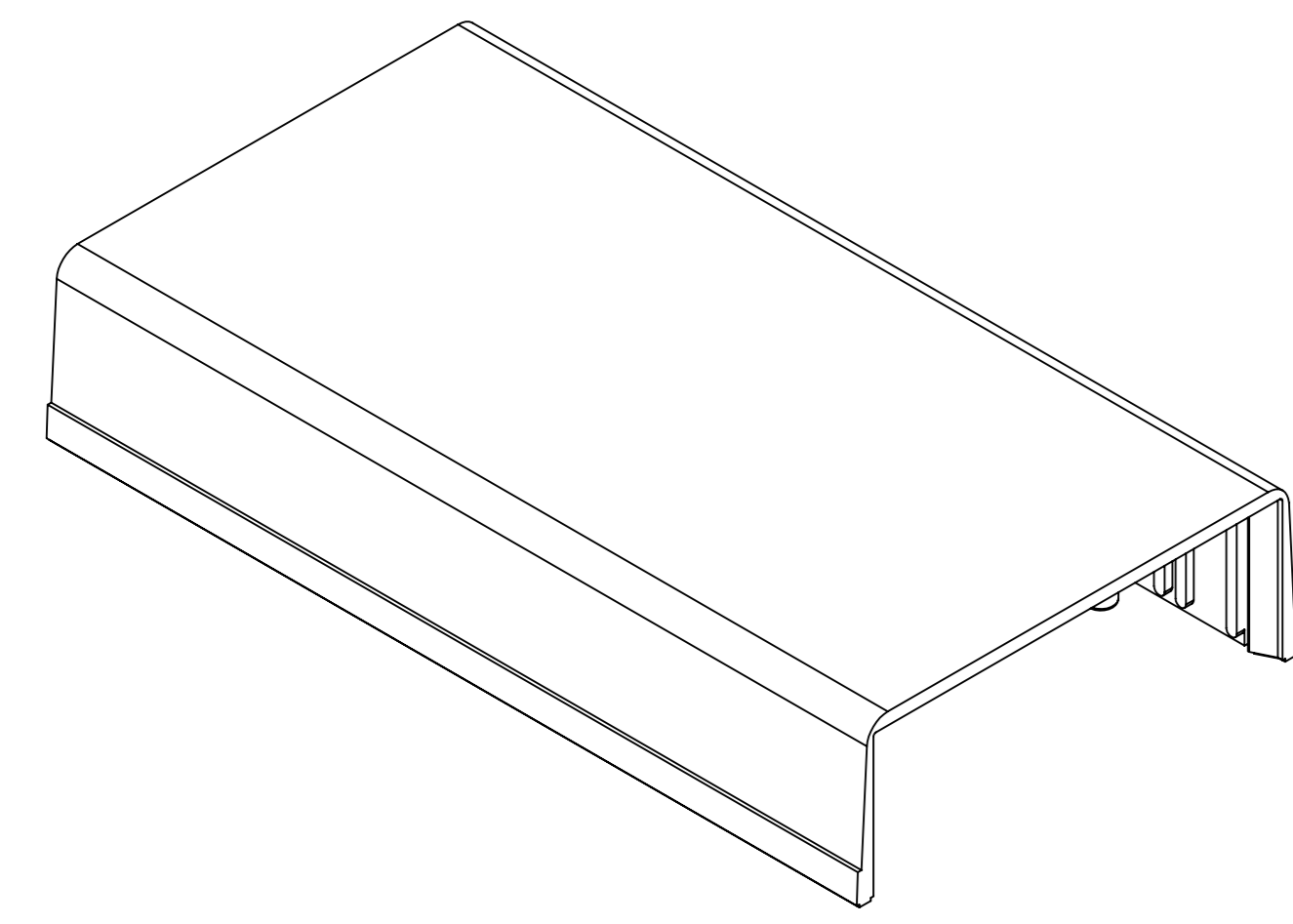
SURFACE-4



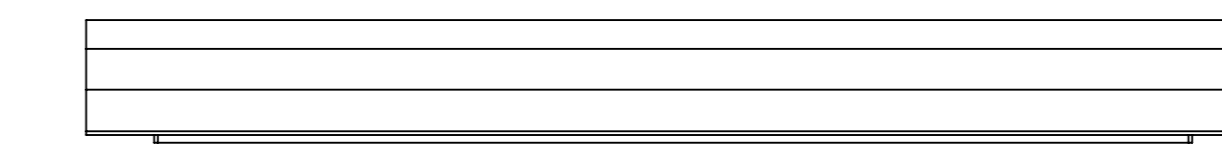
SURFACE-2



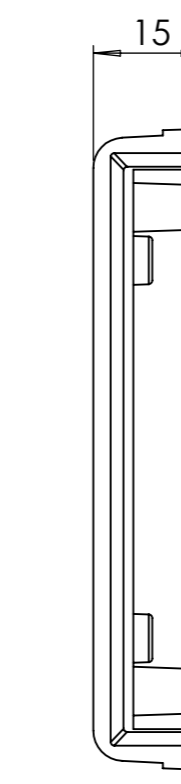
SURFACE-6 (INSIDE)



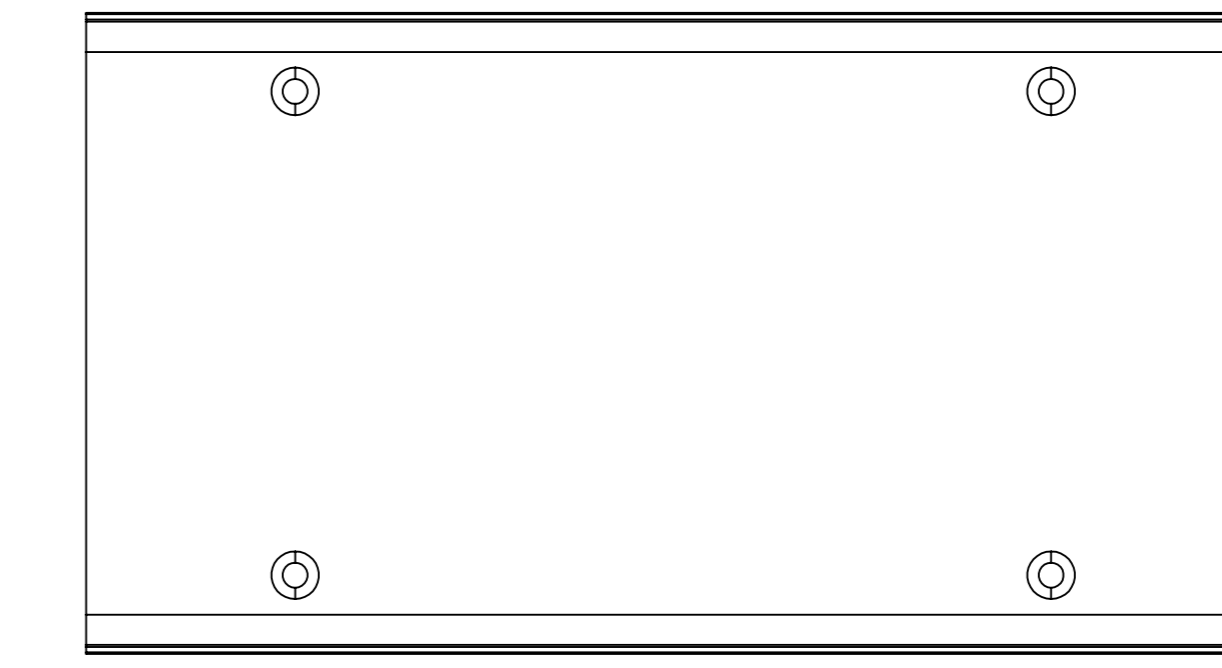
COVER: 6 SURFACE



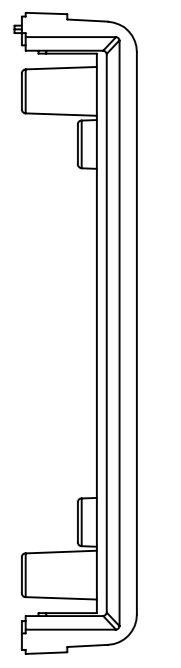
SURFACE-7



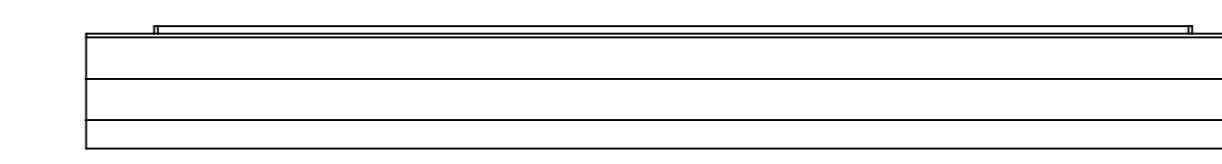
SURFACE-9



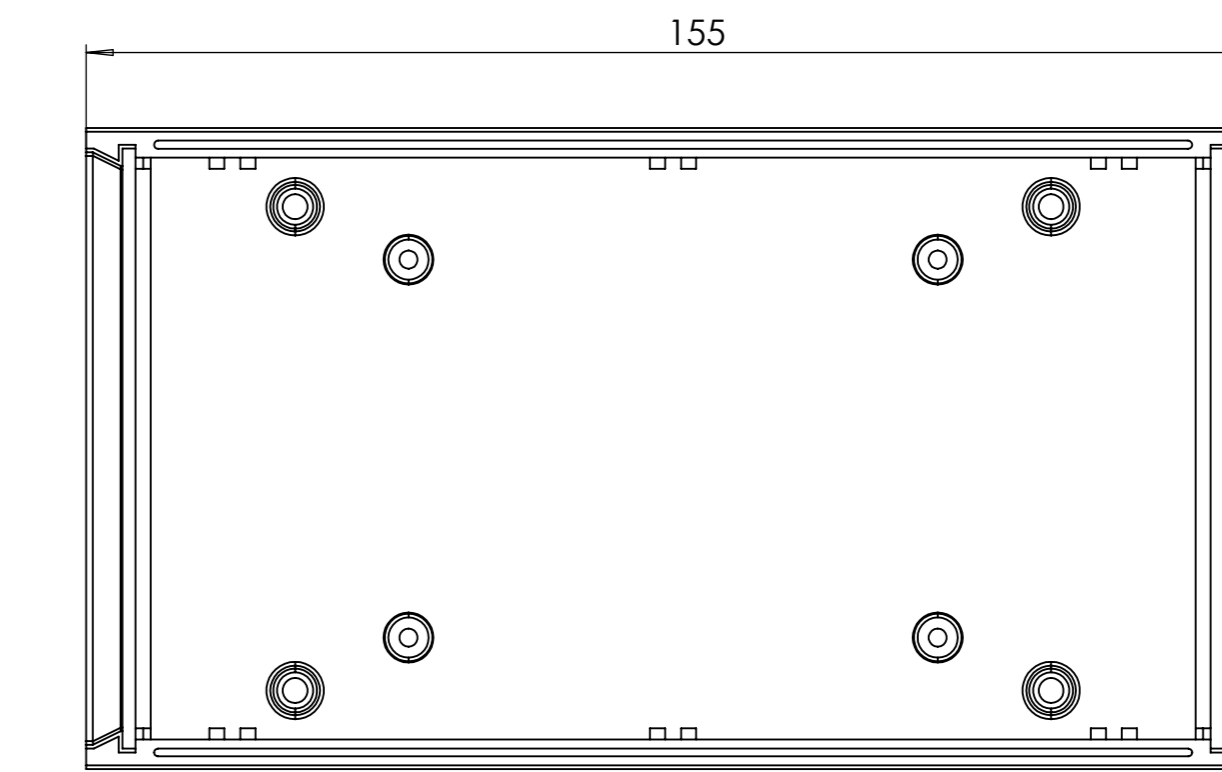
SURFACE-11



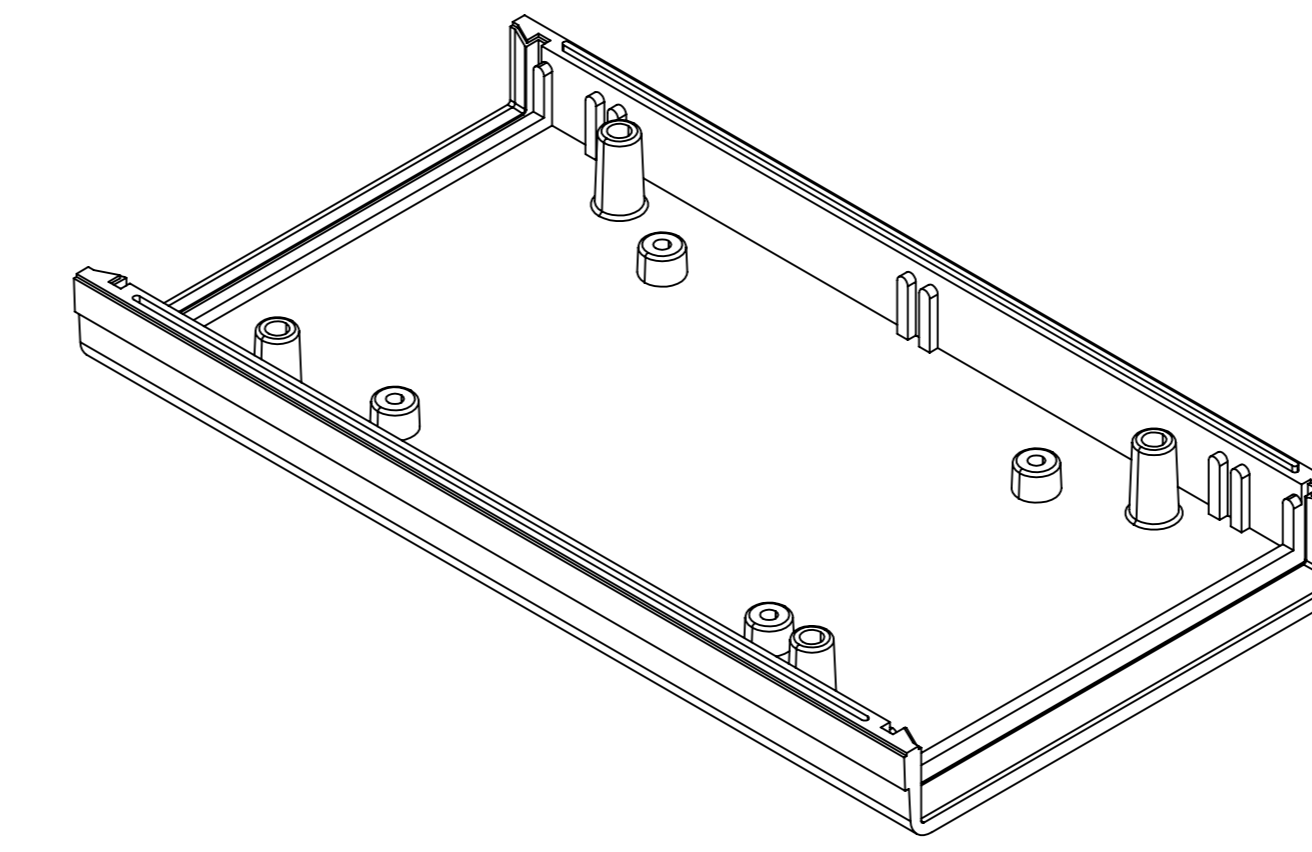
SURFACE-10



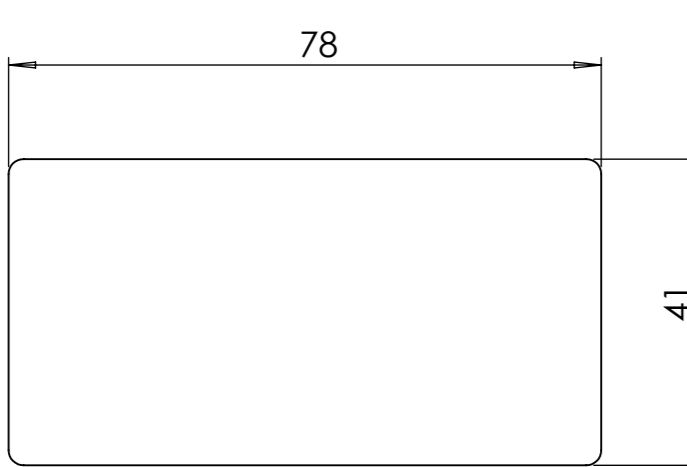
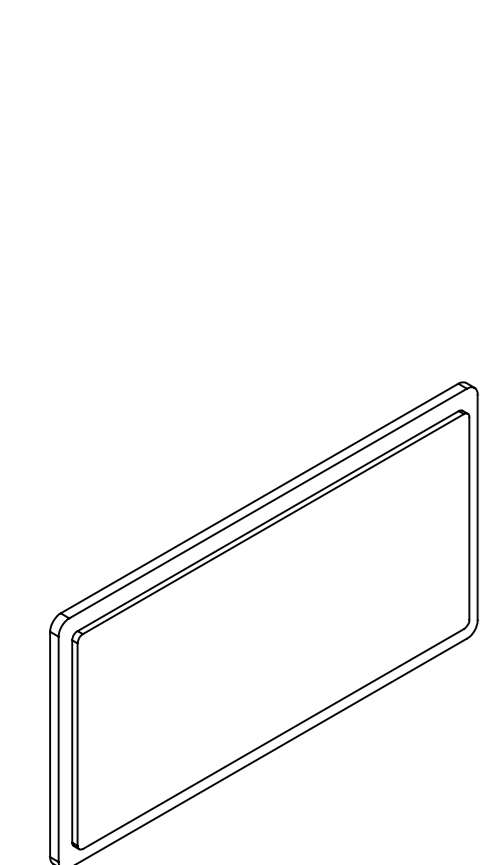
SURFACE-8



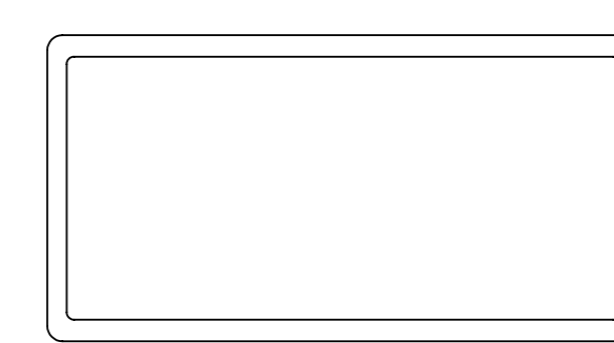
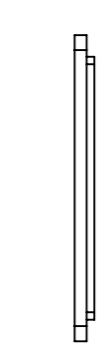
SURFACE-12 (INSIDE)



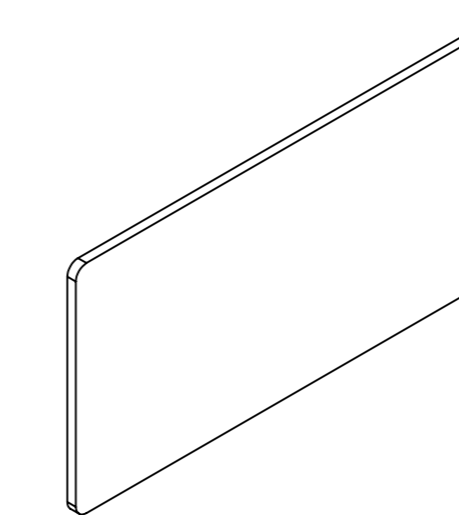
PANEL-1: 2 SURFACE



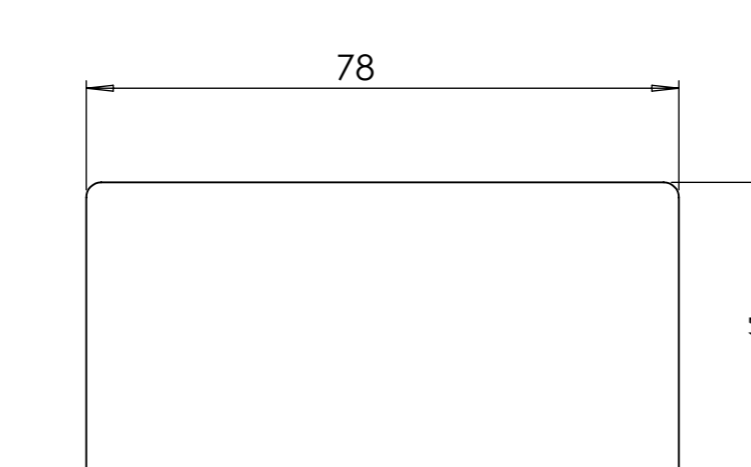
SURFACE-13



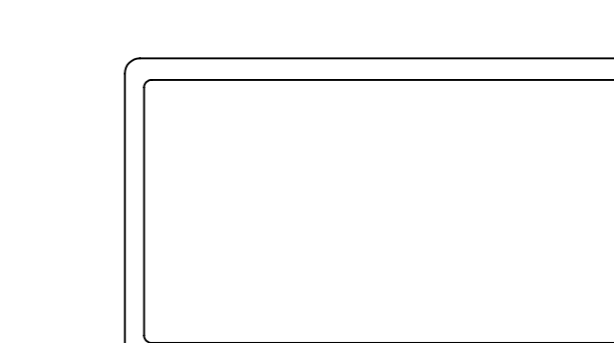
SURFACE-14




PANEL-2: 2 SURFACE



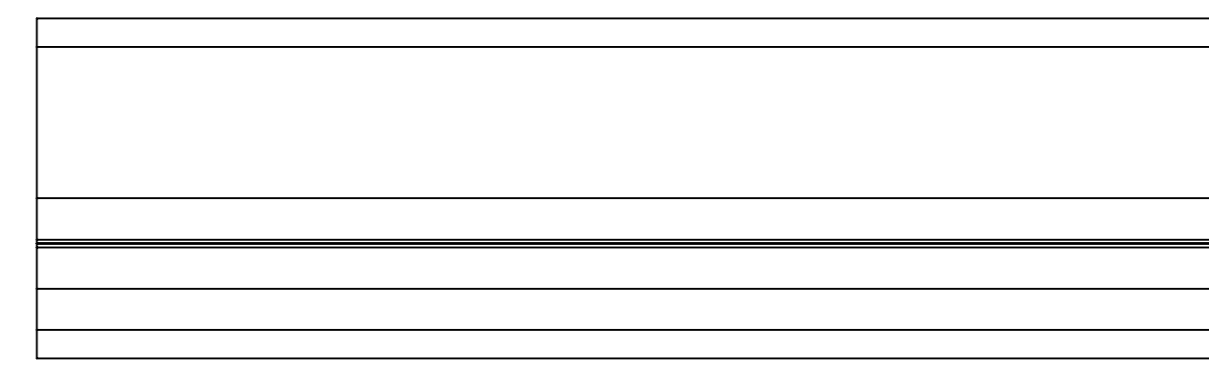
SURFACE-15



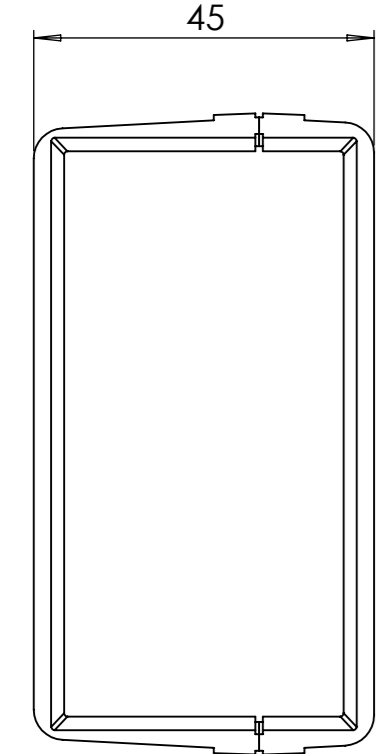
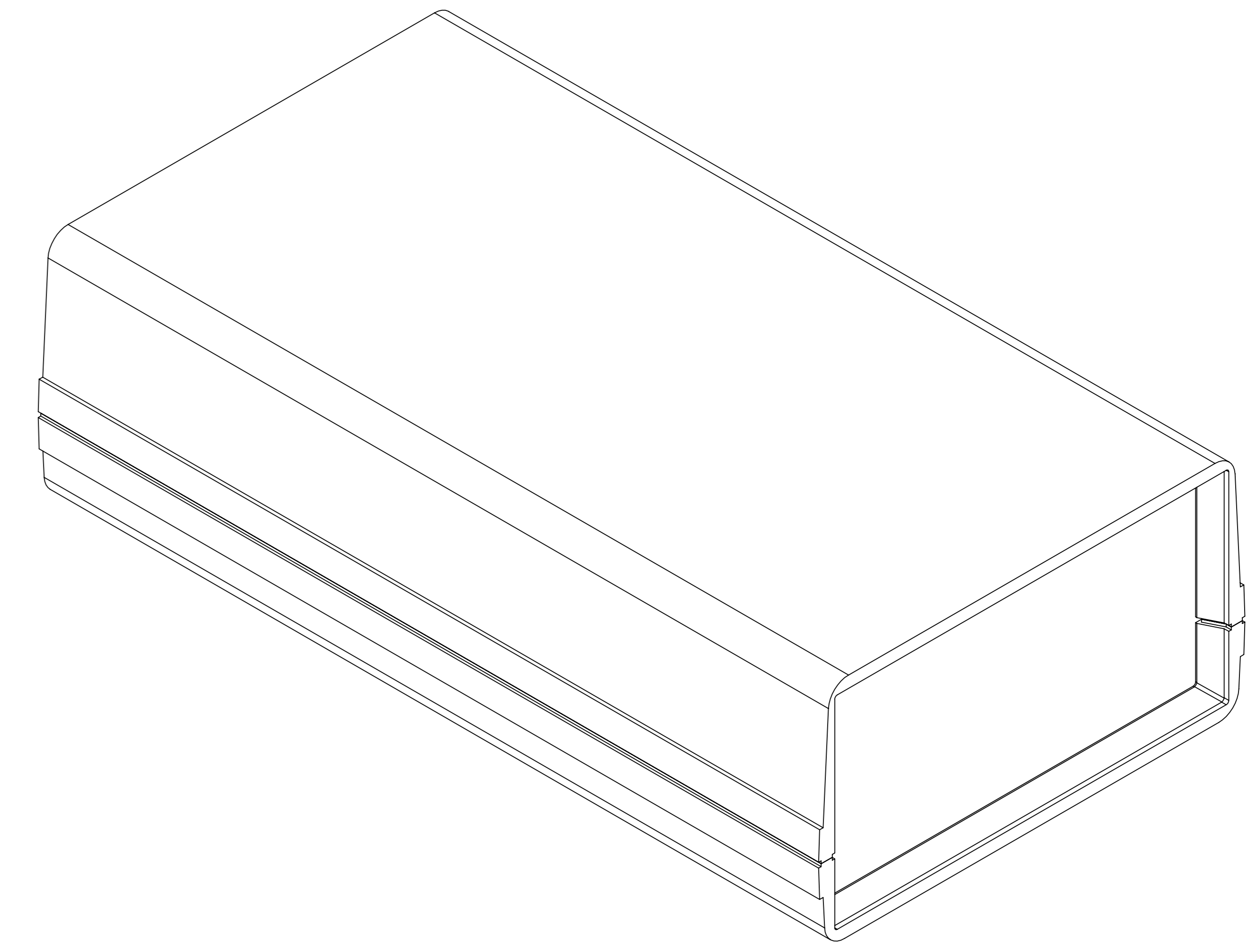
SURFACE-16

REV. NO	DATE	REVISED BY	DESCRIPTION OF CHANGE
 ALTINKAYA Electronic Enclosures & Components			
Customer Name :		Customer Ref. :	
Altinkaya Ref :		Part Name: HH-8082	
DRAWN	NAME	DATE	Drawn From:
CHECKED	Y.YEL	14.10.2024	Material:
DIMENSIONAL TOLERANCES UNLESS OTHERWISE SPECIFIED (DIN7168)			Weight:
±0,1	±0,1	±0,2	±0,3
±0,5	±0,5	±0,5	±0,5
UNIT: mm			Dimension(mm)
m (medium)			

HH-8082 IF MACHINED TOGETHER



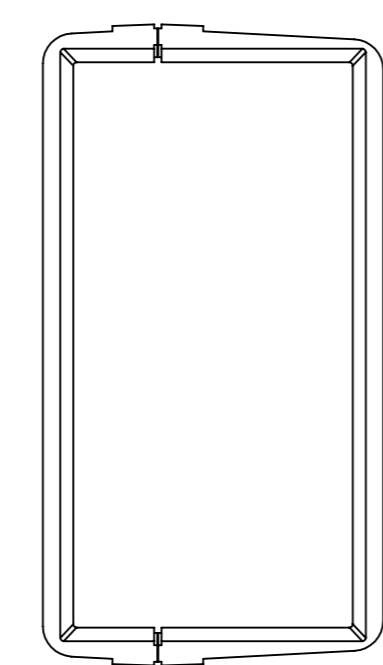
SURFACE-17



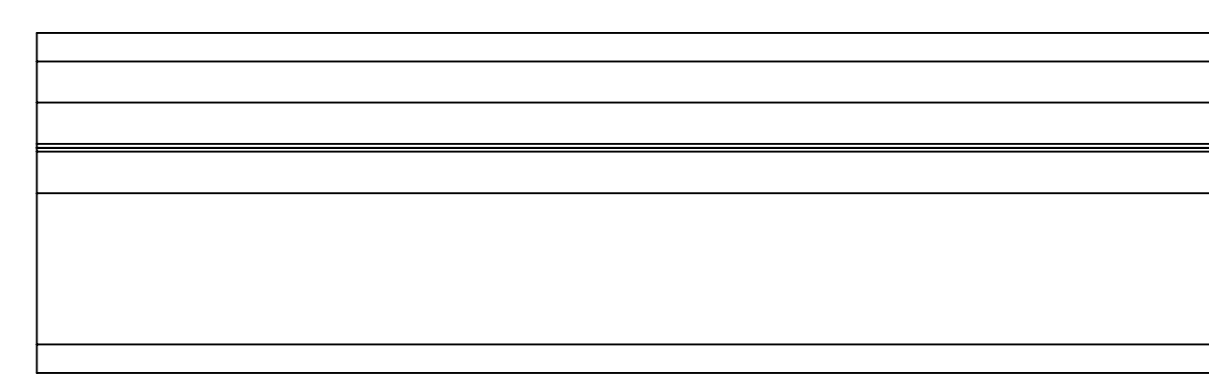
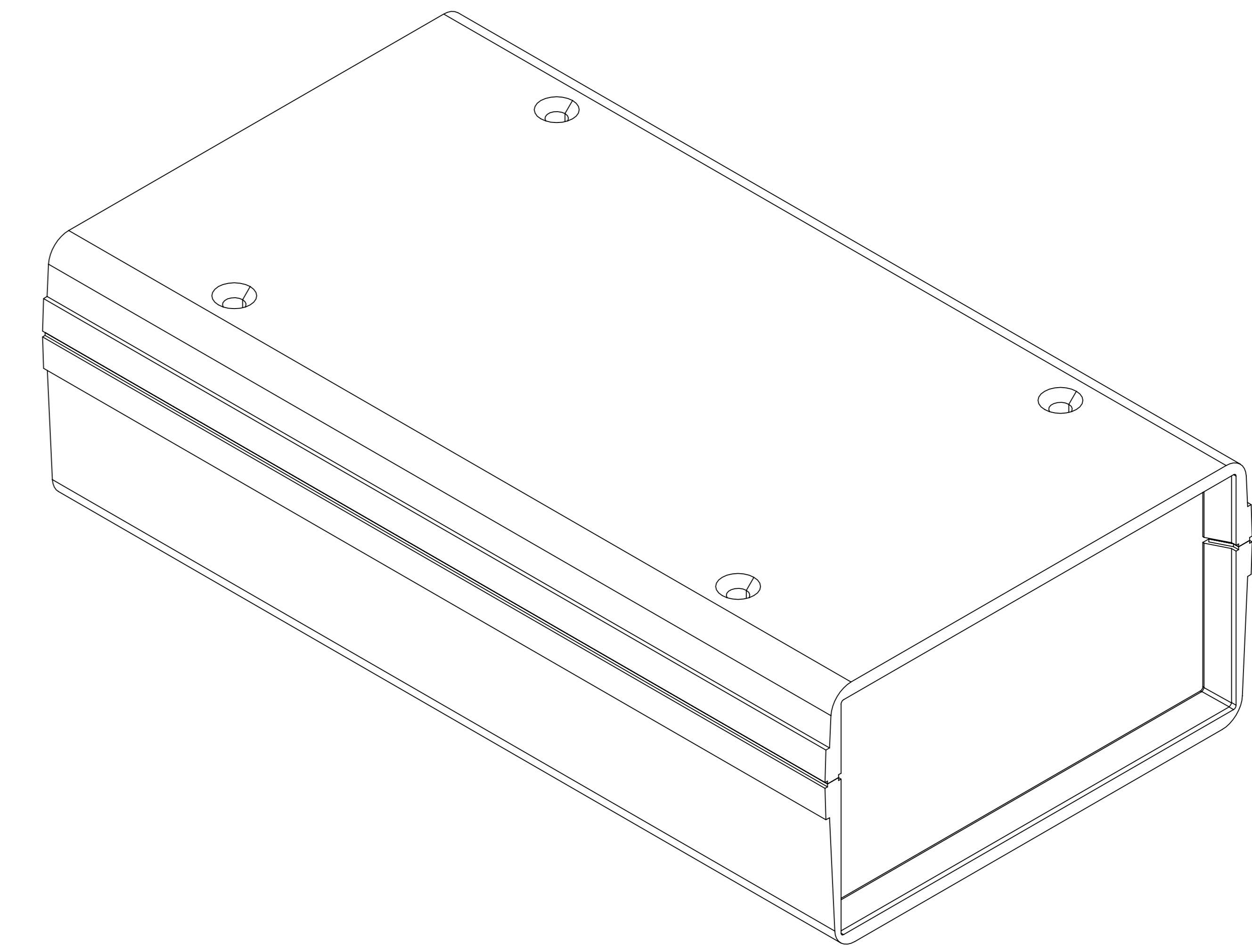
SURFACE-19



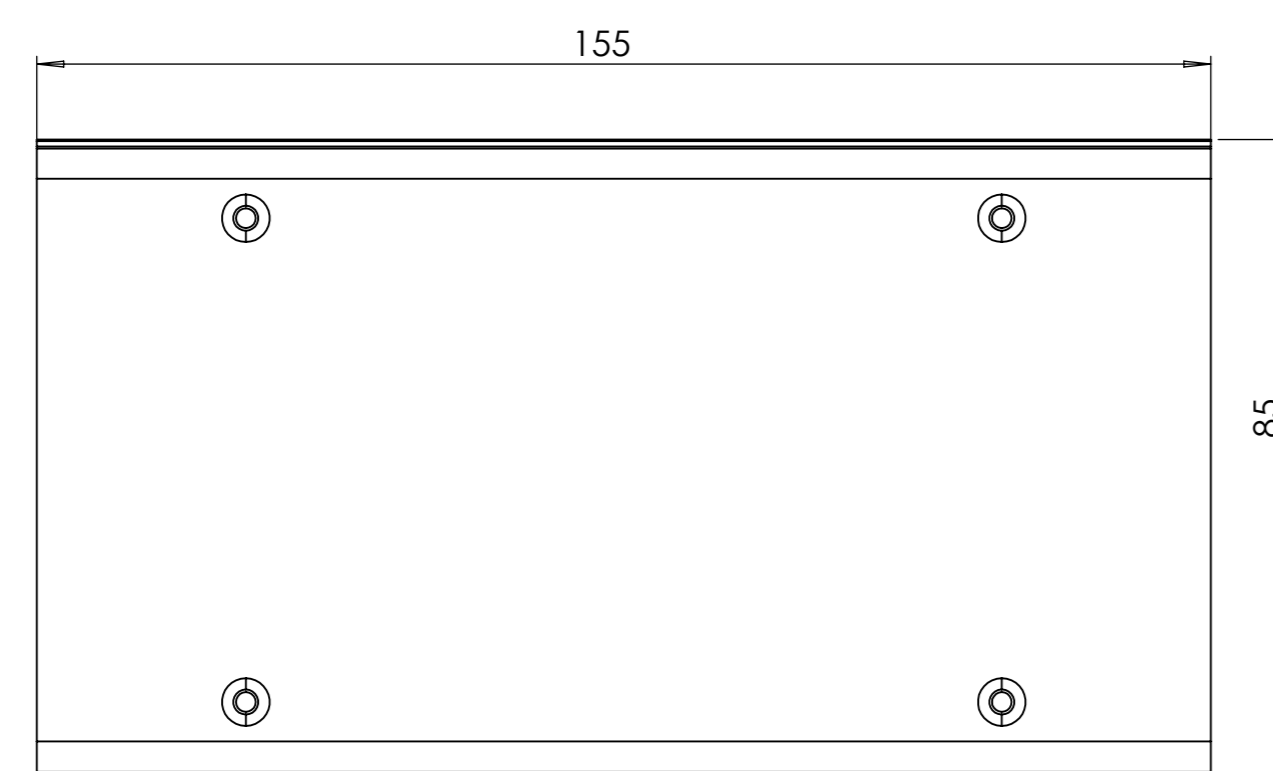
SURFACE-21




SURFACE-20



SURFACE-18



SURFACE-22

REV. NO	DATE	REVISED BY	DESCRIPTION OF CHANGE
 ALTINKAYA Electronic Enclosures & Components			
Customer Name :		Customer Ref. :	
Altinkaya Ref :		Part Name: HH-8082	
	NAME	DATE	Drawn From:
DRAWN	S.YESILOZ	14.10.2024	Material:
CHECKED	Y.YEL	14.10.2024	Weight:
DIMENSIONAL TOLERANCES UNLESS OTHERWISE SPECIFIED (DIN7168)			UNIT: mm
	0.5-3mm	3-6mm	6-30mm
	±0,1	±0,1	±0,2
			±0,3
			±0,5
			Dimension(mm)
			m (medium)