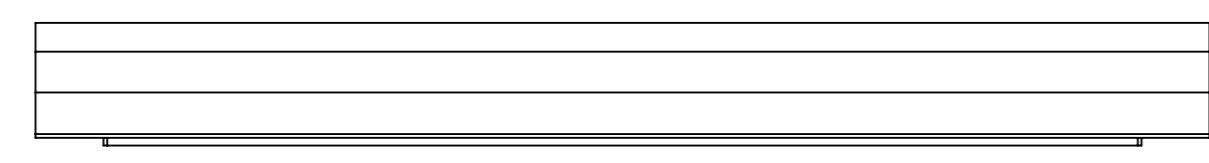
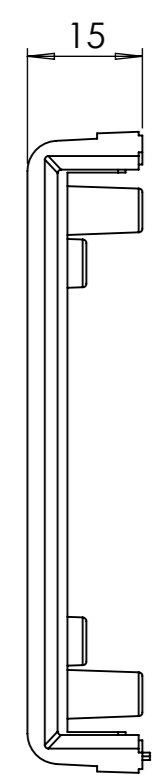


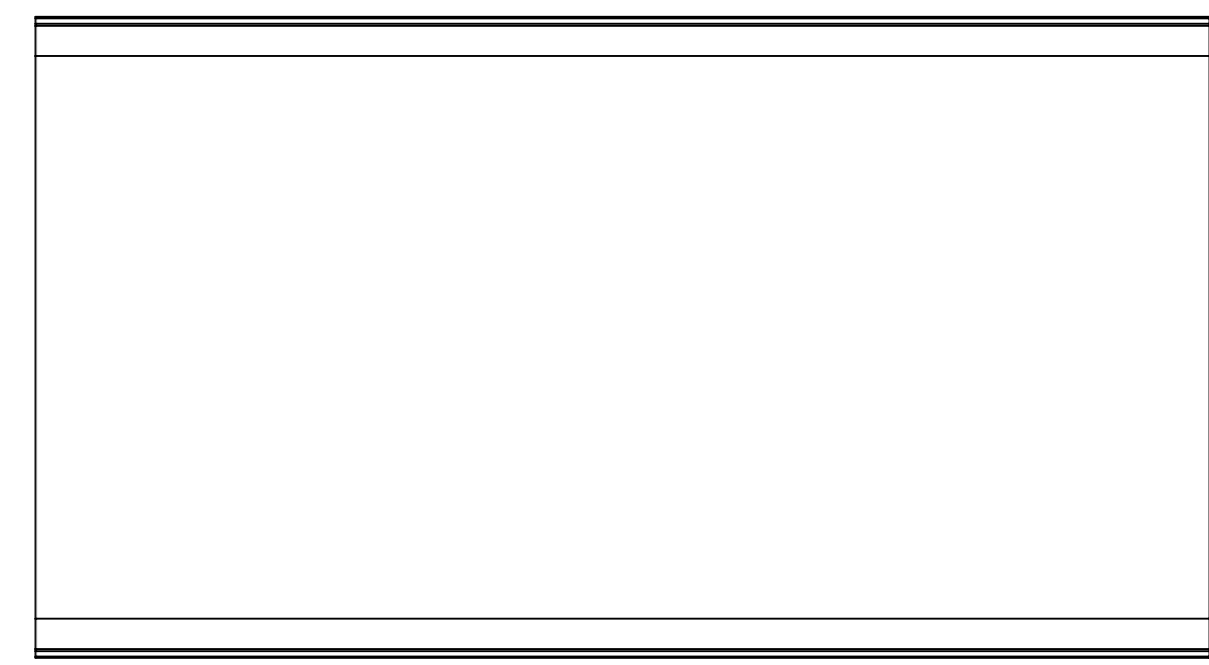
**BASE: 6 SURFACE**



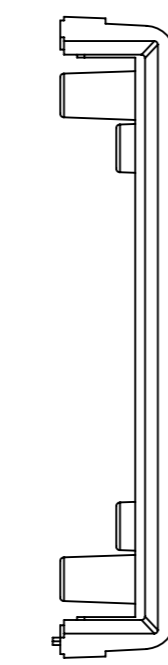
SURFACE-1



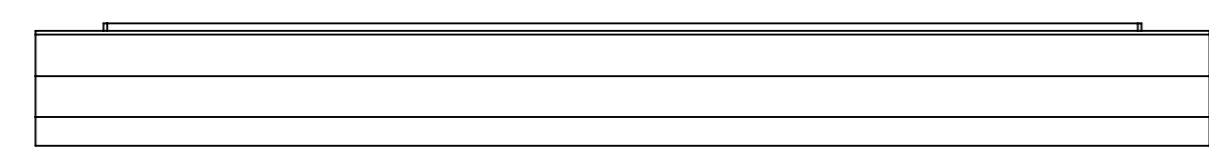
SURFACE-3



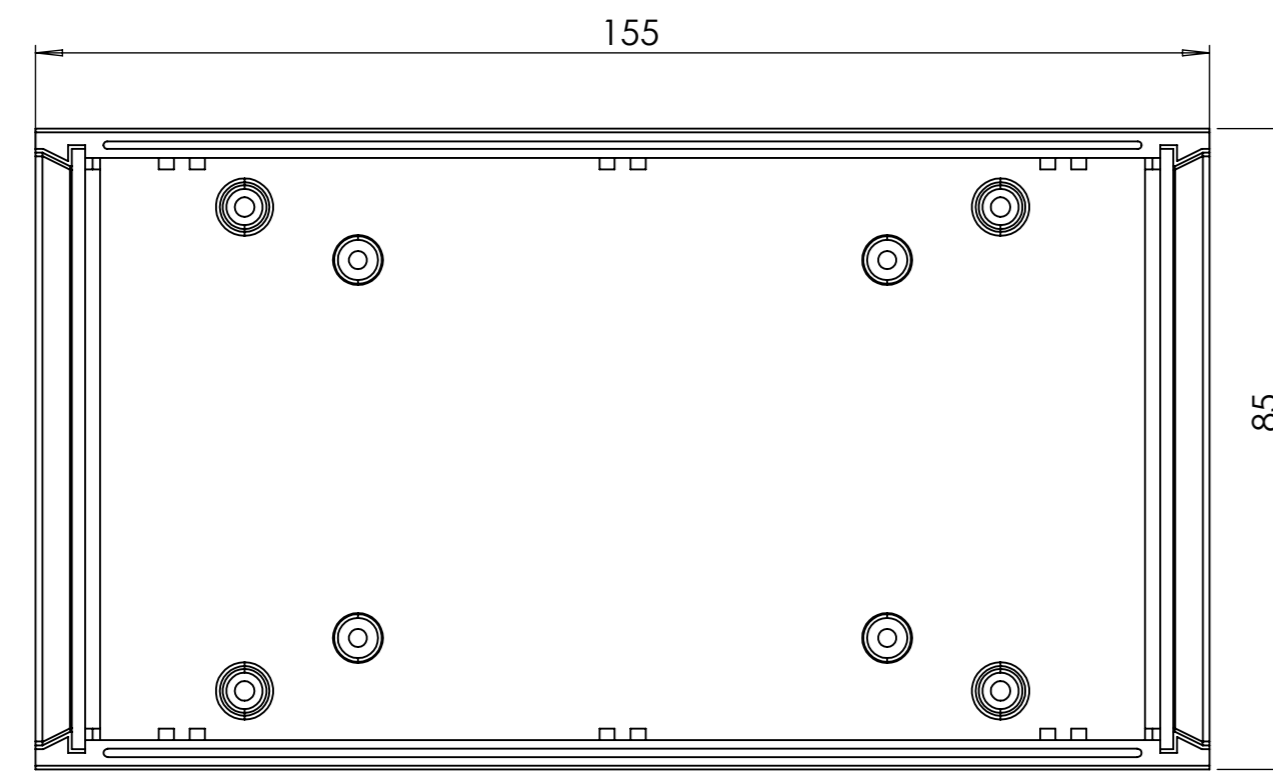
SURFACE-5



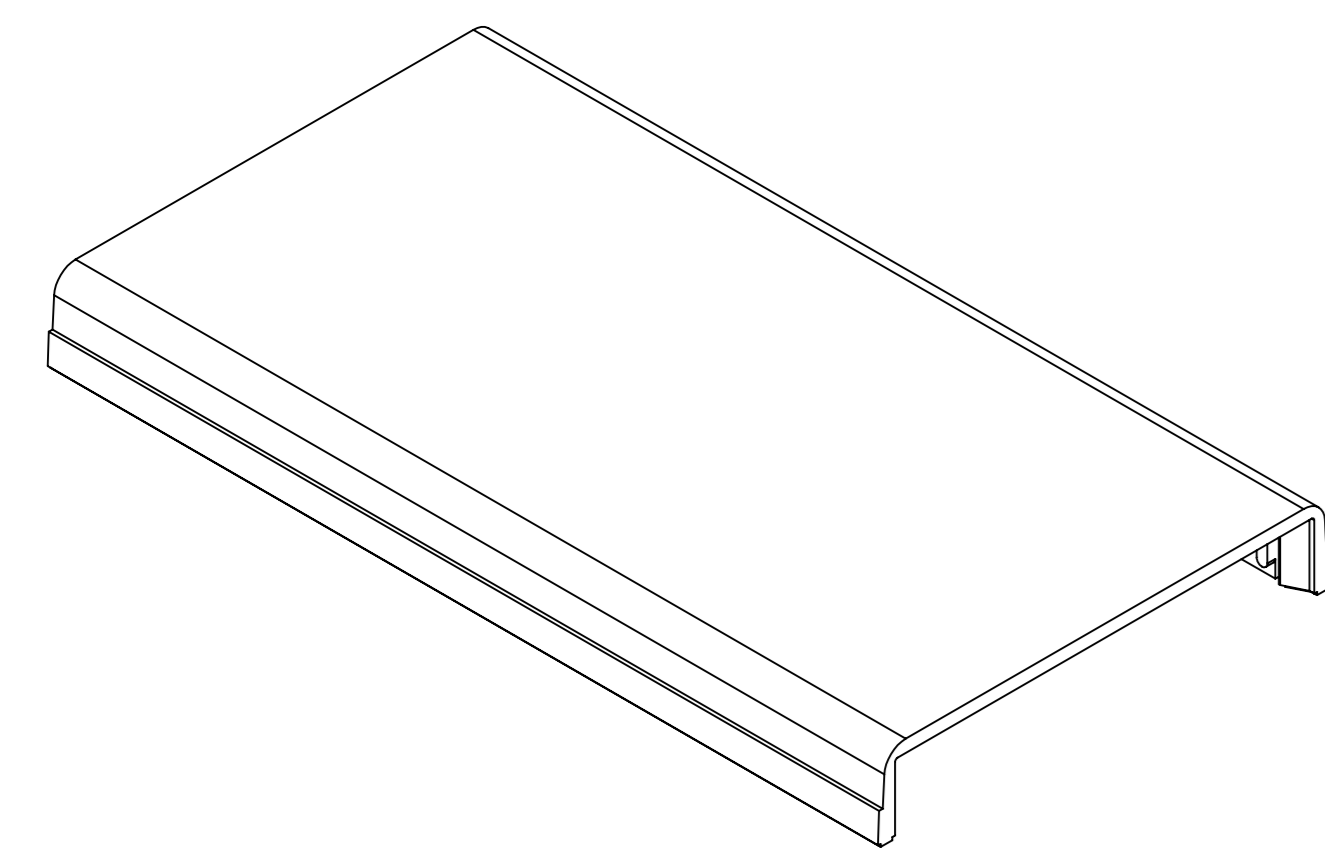
SURFACE-4



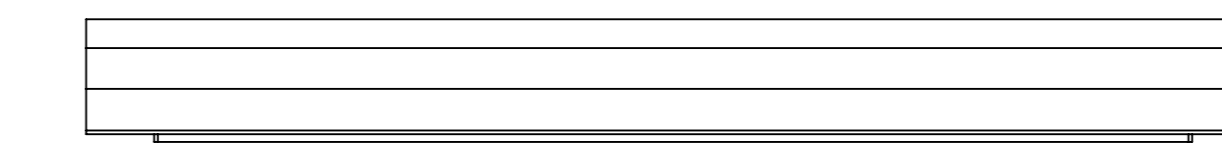
SURFACE-2



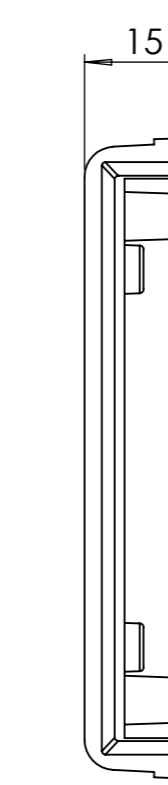
SURFACE-6 (INSIDE)



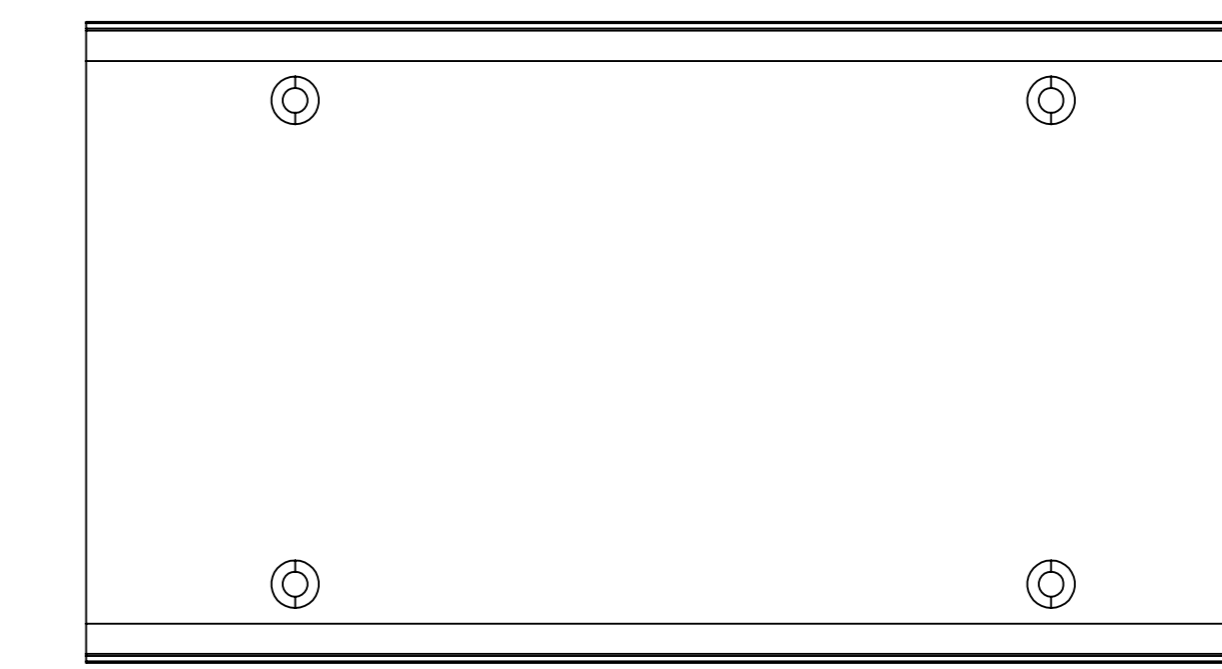
**COVER: 6 SURFACE**



SURFACE-7



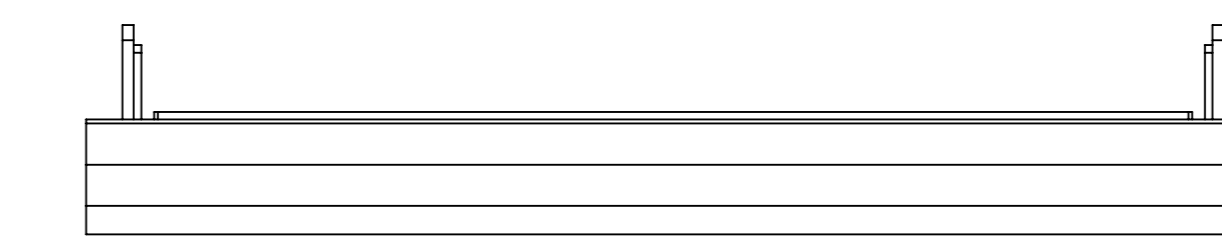
SURFACE-9



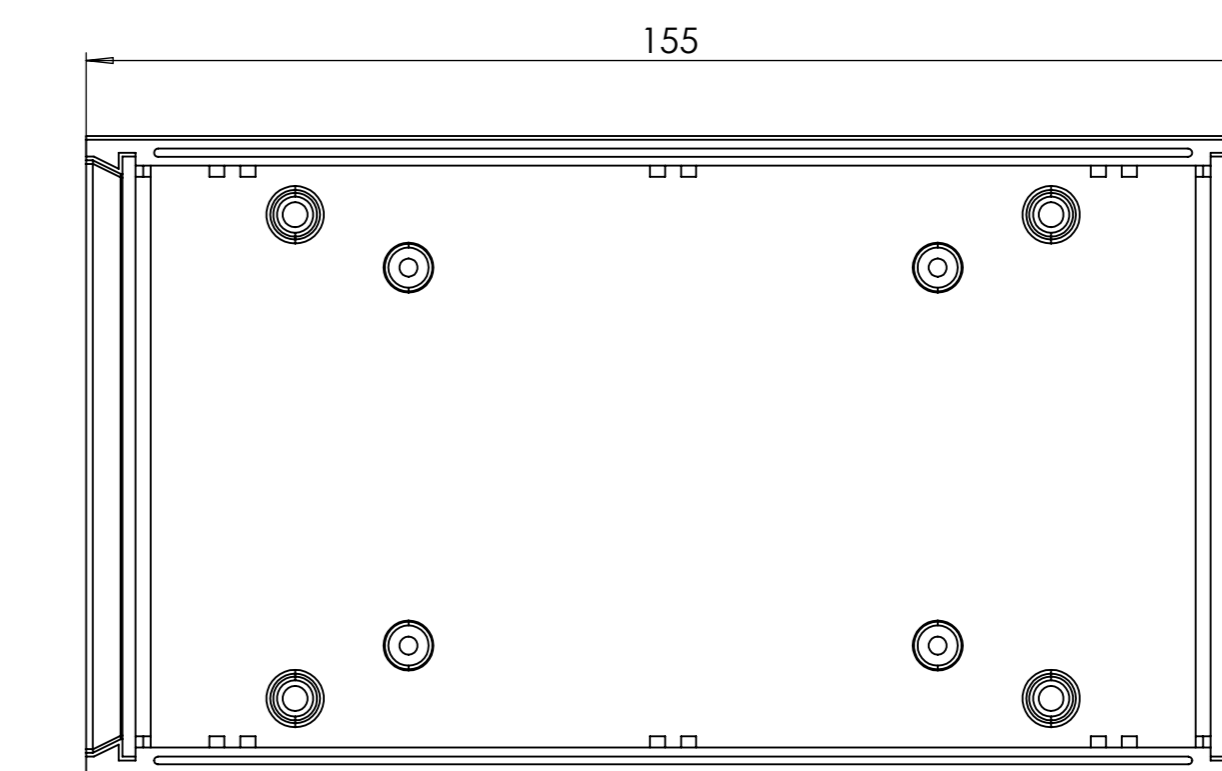
SURFACE-11



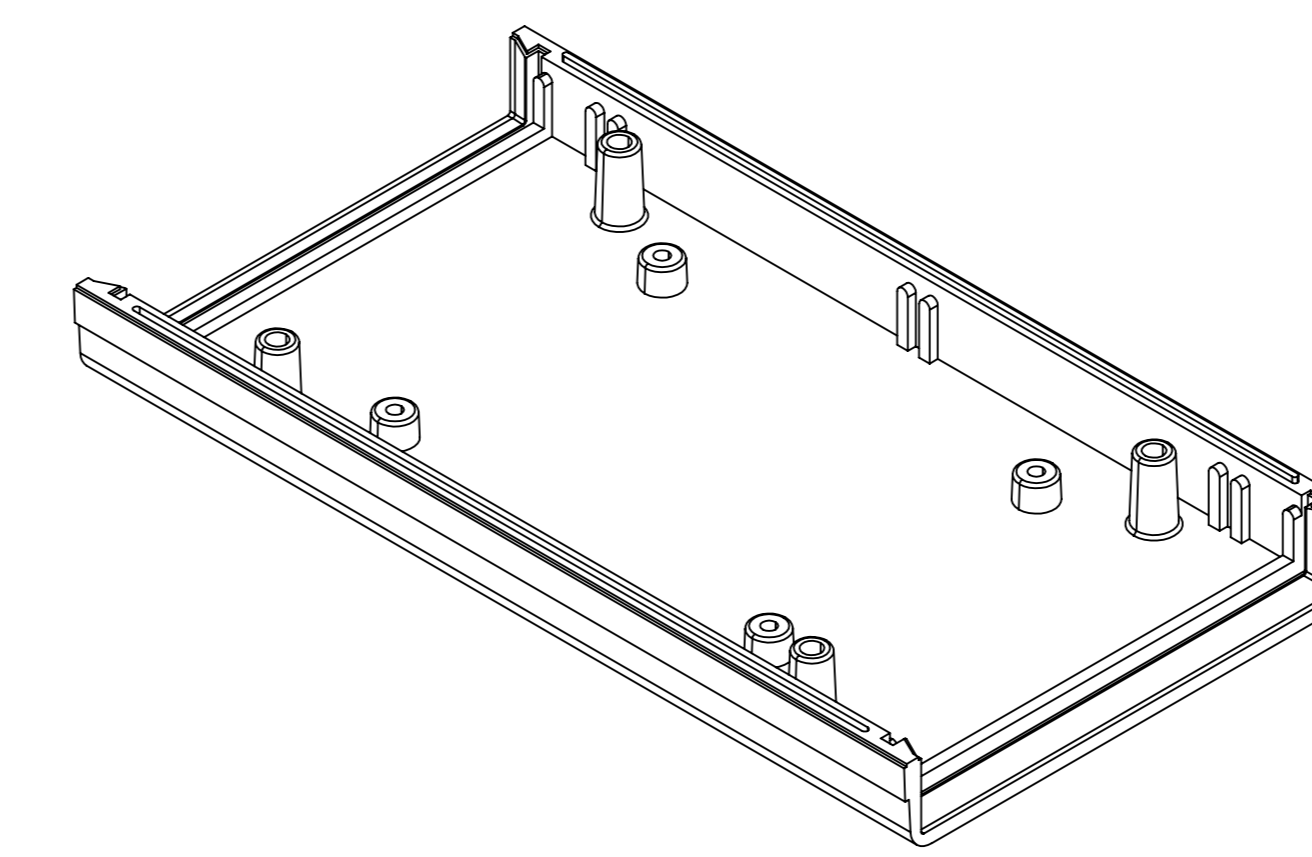
SURFACE-10



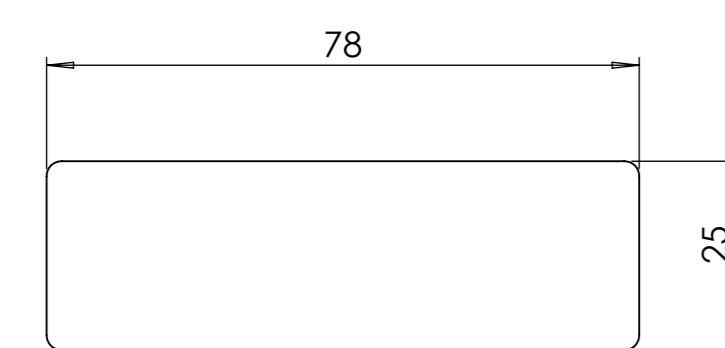
SURFACE-8



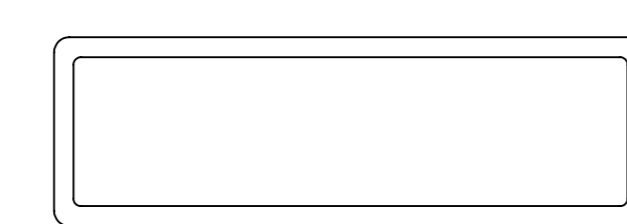
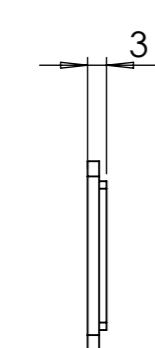
SURFACE-12 (INSIDE)



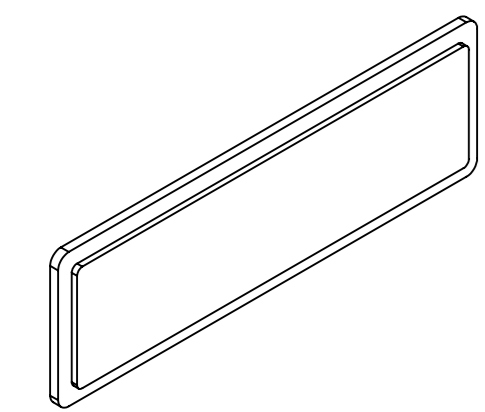
**PANEL-1: 2 SURFACE**



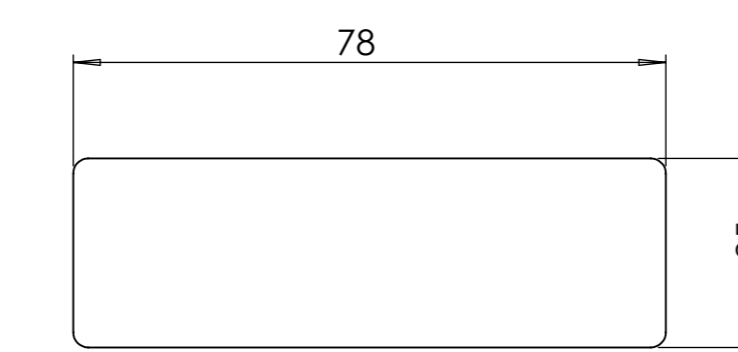
SURFACE-13



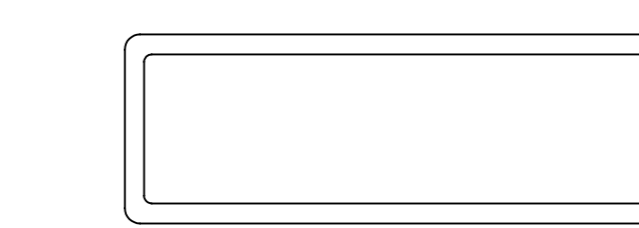
SURFACE-14



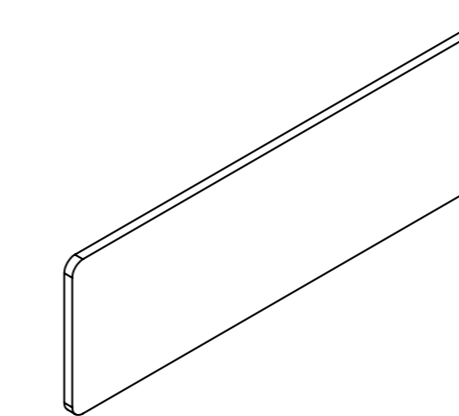
**PANEL-2: 2 SURFACE**




SURFACE-15



SURFACE-16

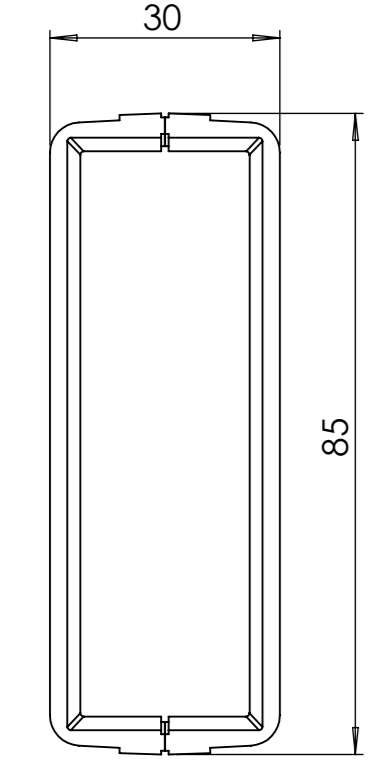


REV. NO	DATE	REVISED BY	DESCRIPTION OF CHANGE
 <b>ALTINKAYA</b> Electronic Enclosures & Components			
Customer Name :		Customer Ref. :	
Altinkaya Ref :		Part Name: HH-8080	
DRAWN	NAME	DATE	Drawn From:
CHECKED	Y.YEL	14.10.2024	Material:
DIMENSIONAL TOLERANCES UNLESS OTHERWISE SPECIFIED (DIN7168)			Weight:
±0,1	±0,1	±0,2	±0,3
±0,5	UNIT: mm		Dimension(mm)
m (medium)		30-120mm	120-400mm

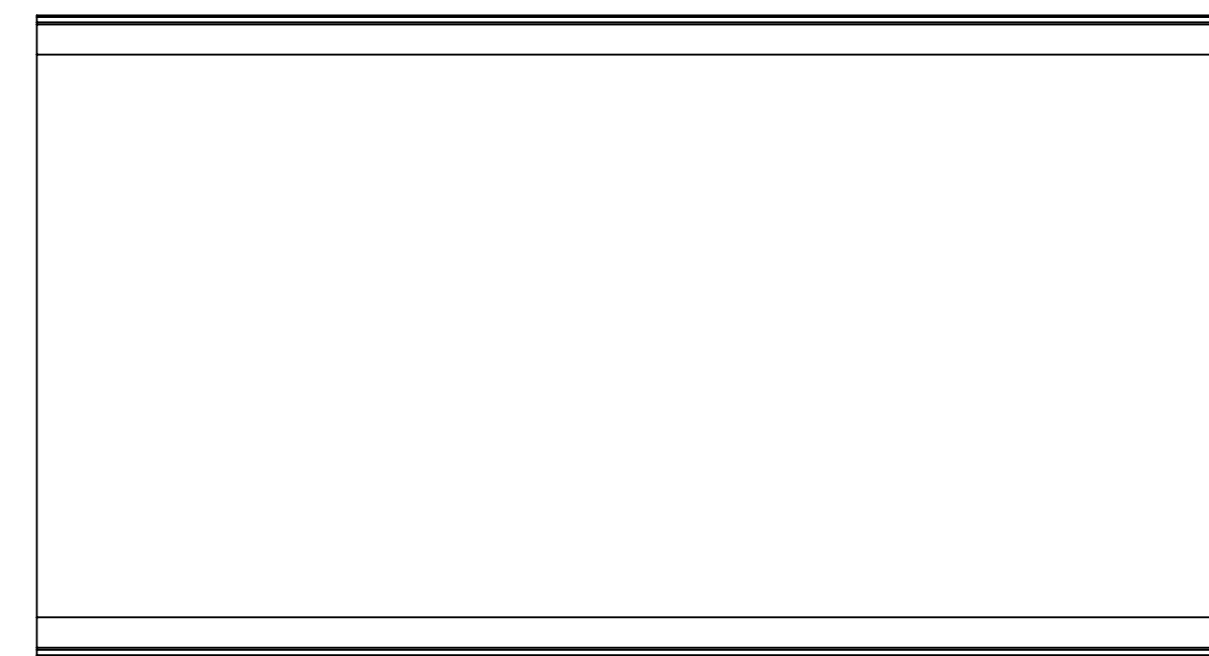
**HH-8080 IF MACHINED TOGETHER**



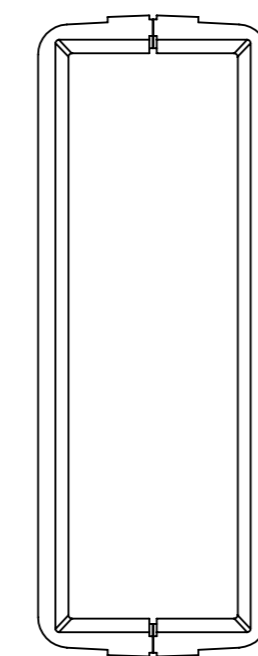
SURFACE-17



SURFACE-19



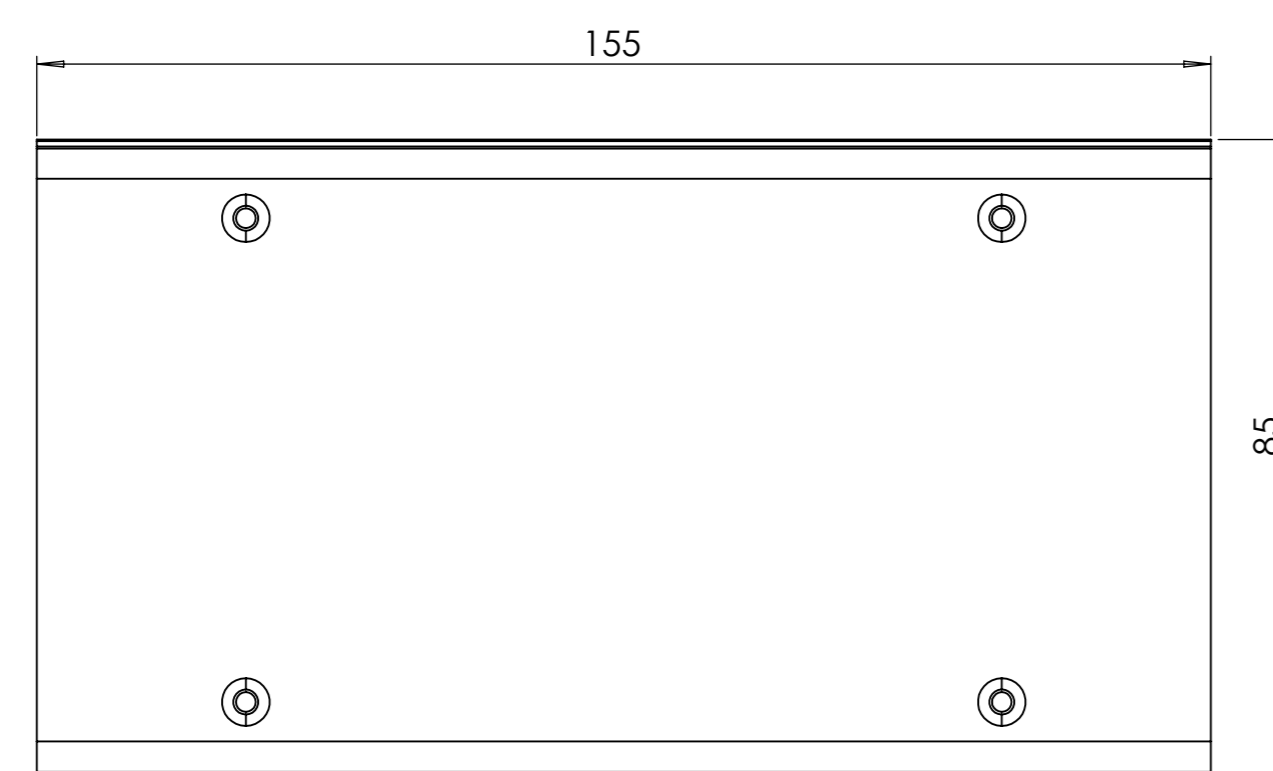
SURFACE-21



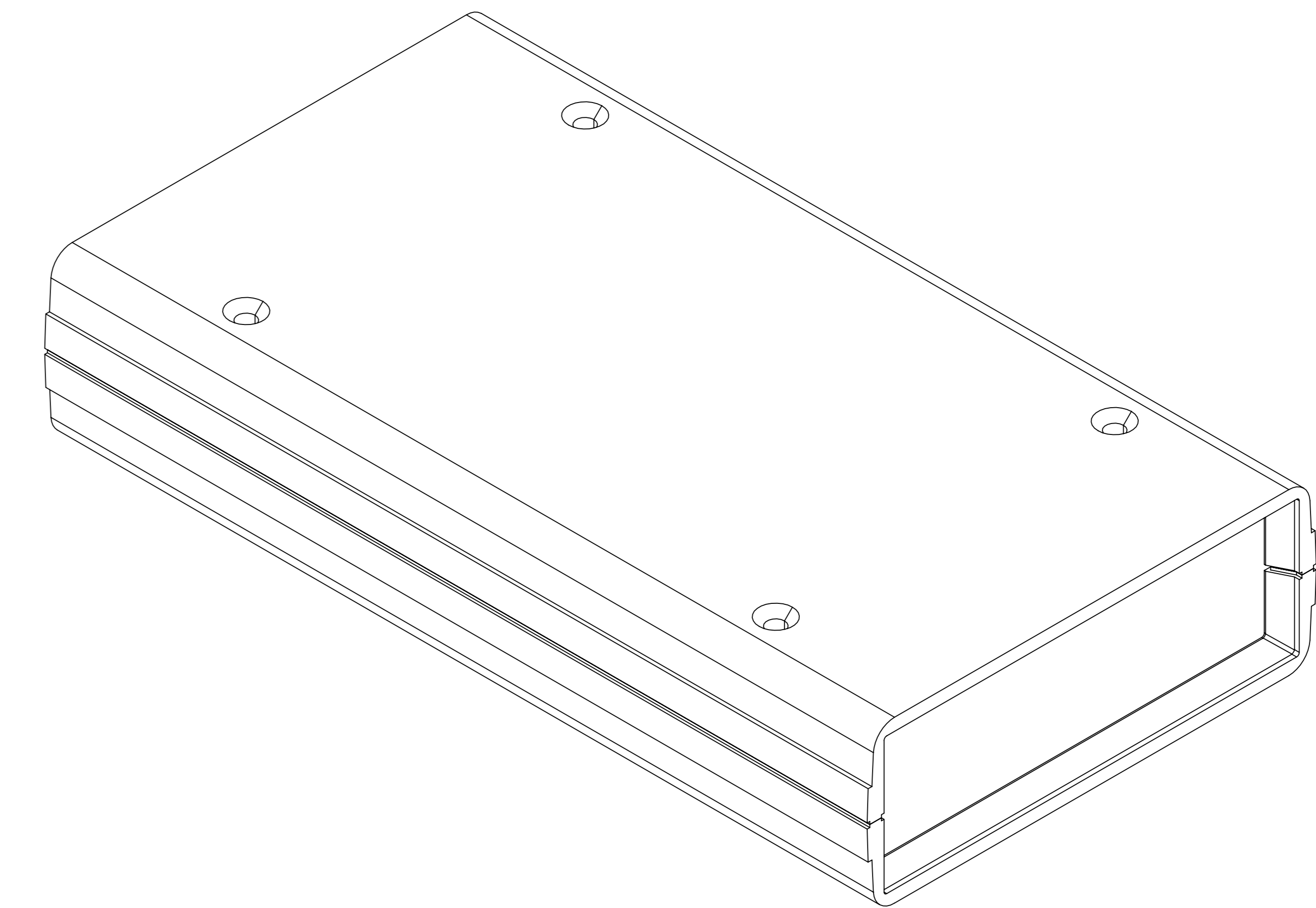
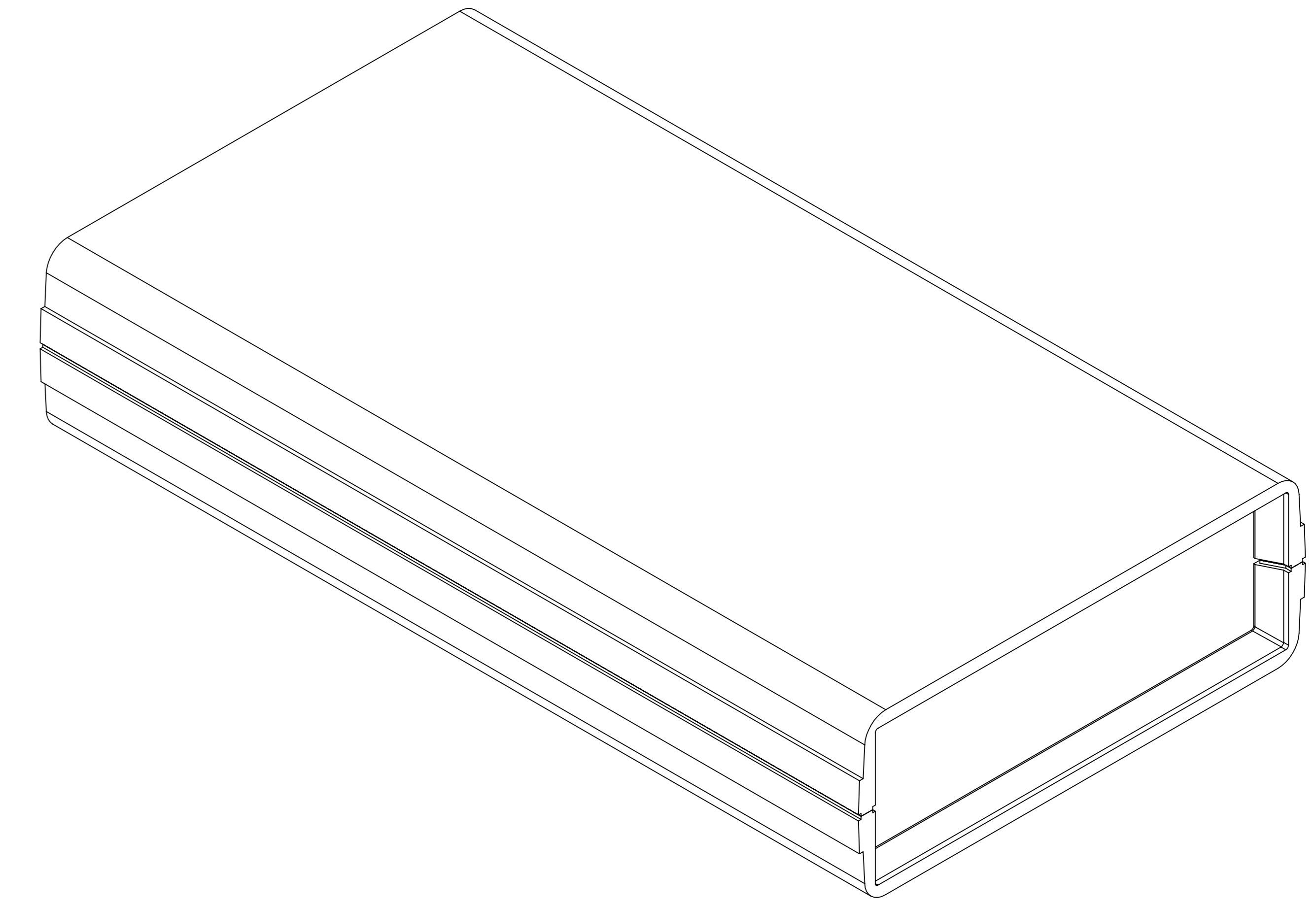
SURFACE-20




SURFACE-18



SURFACE-22



REV. NO	DATE	REVISED BY	DESCRIPTION OF CHANGE
 <b>ALTINKAYA</b> Electronic Enclosures & Components			www.altinkaya.com
			Customer Name :
Altinkaya Ref :		Customer Ref. : HH-8080	
DRAWN	NAME	DATE	Drawn From:
CHECKED	Y.YEL	14.10.2024	Material:
DIMENSIONAL TOLERANCES UNLESS OTHERWISE SPECIFIED (DIN7168)			Weight:
±0,1	±0,1	±0,2	±0,3
±0,5	UNIT: mm		Dimension(mm)
			m (medium)