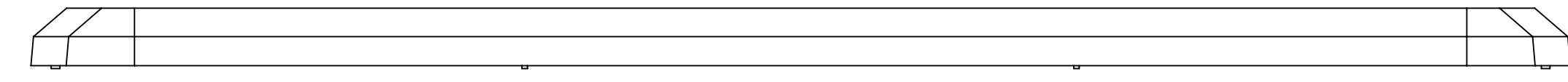
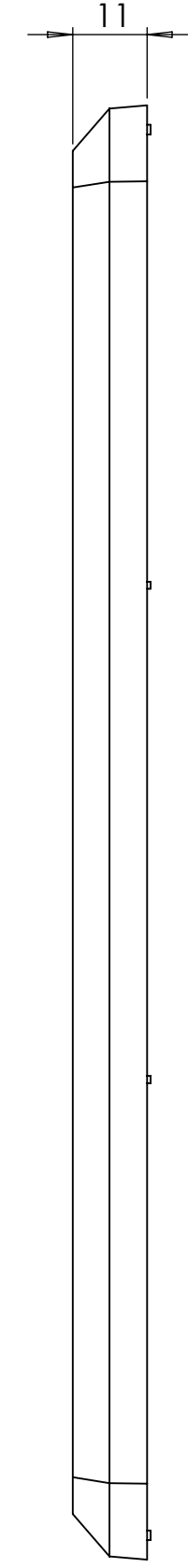


BASE: 6 SURFACE

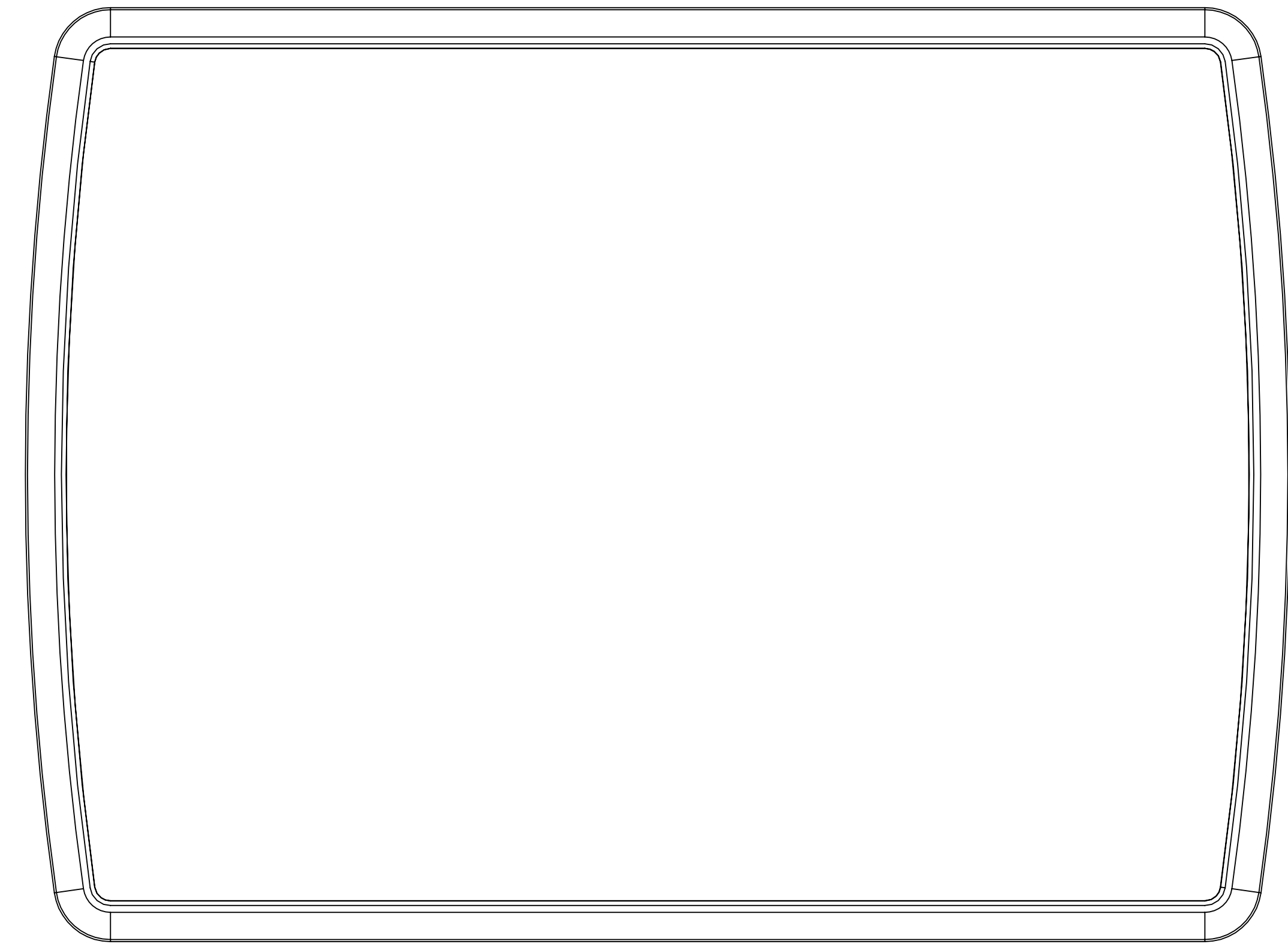
COVER: 6 SURFACE



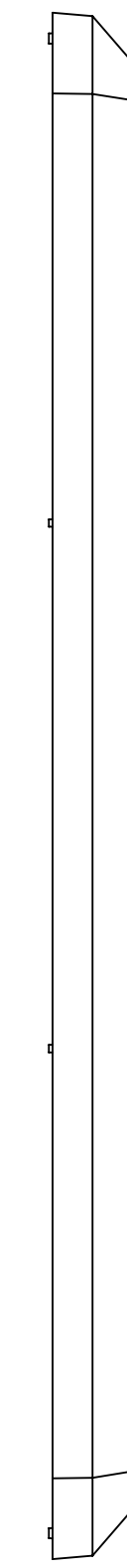
SURFACE-1



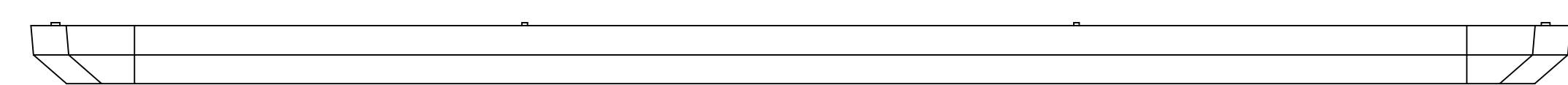
SURFACE-3



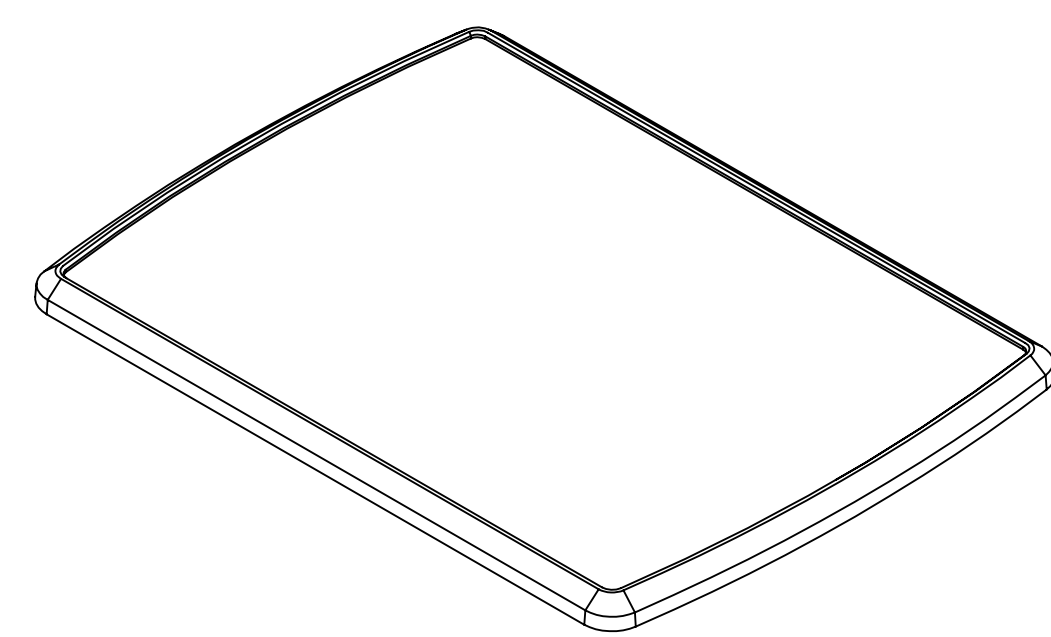
SURFACE-5



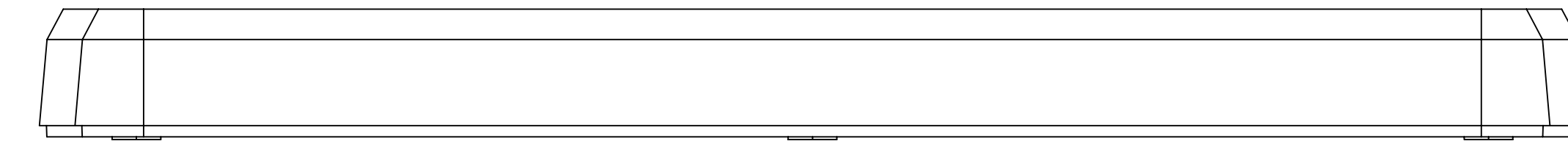
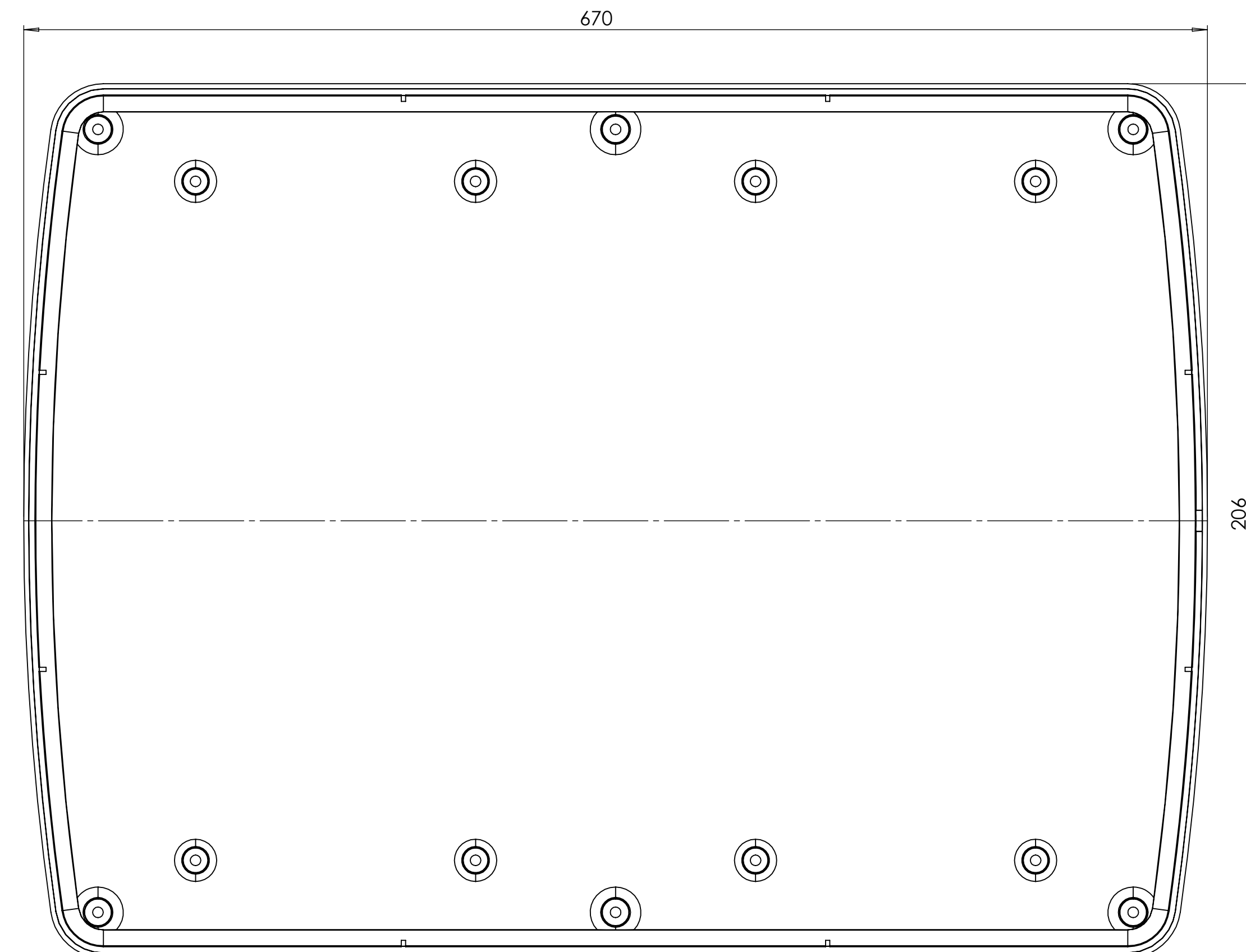
SURFACE-4



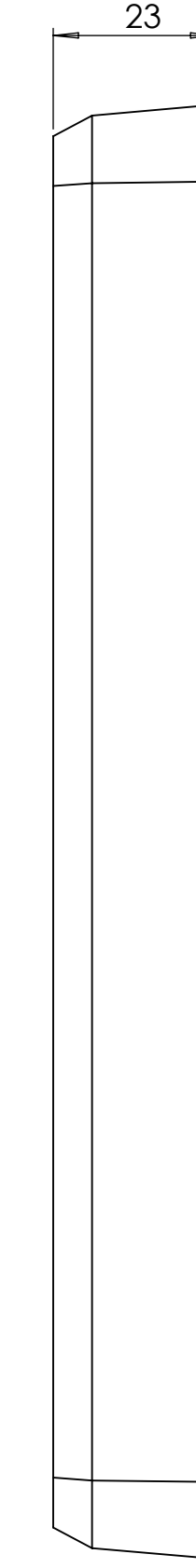
SURFACE-2



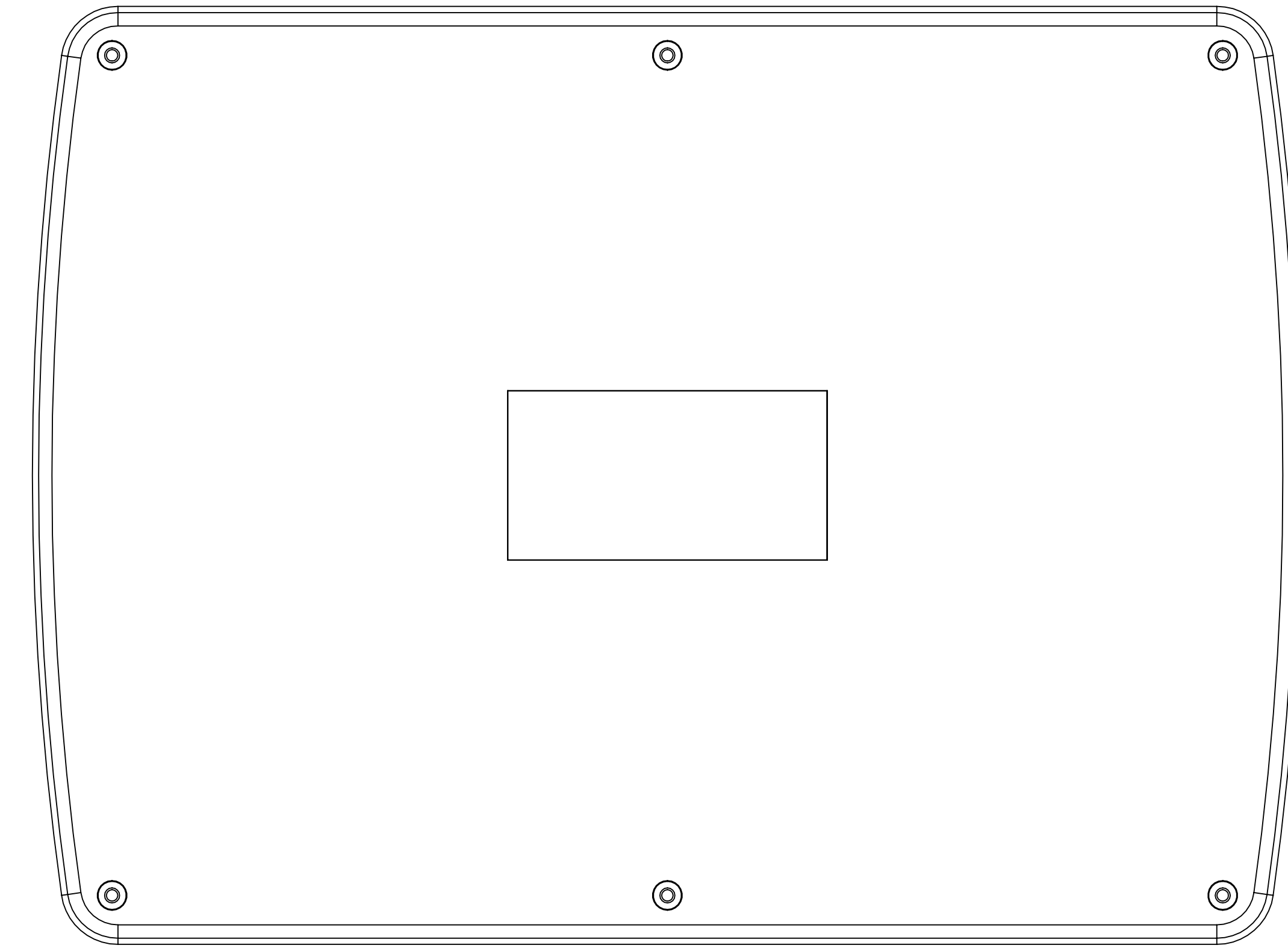
SURFACE-6 (INSIDE)



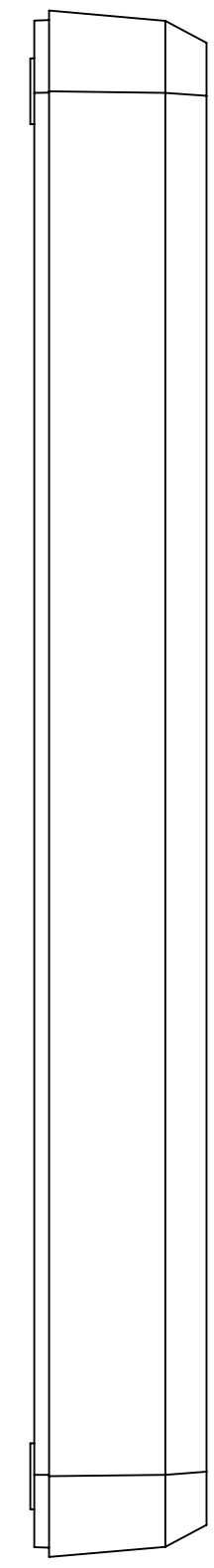
SURFACE-7



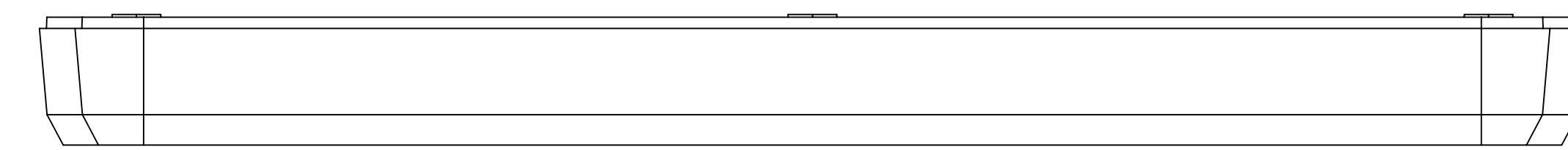
SURFACE-9



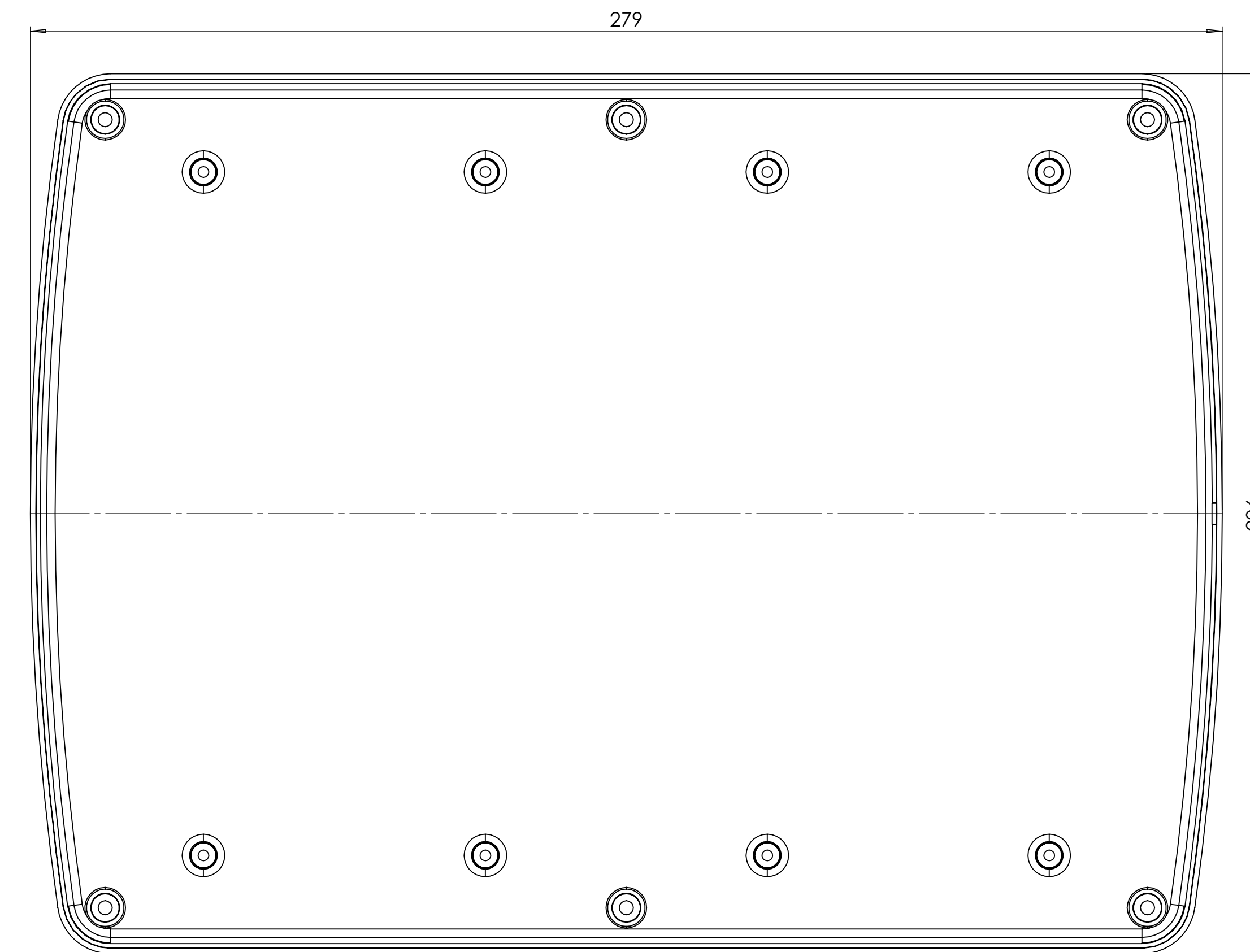
SURFACE-11



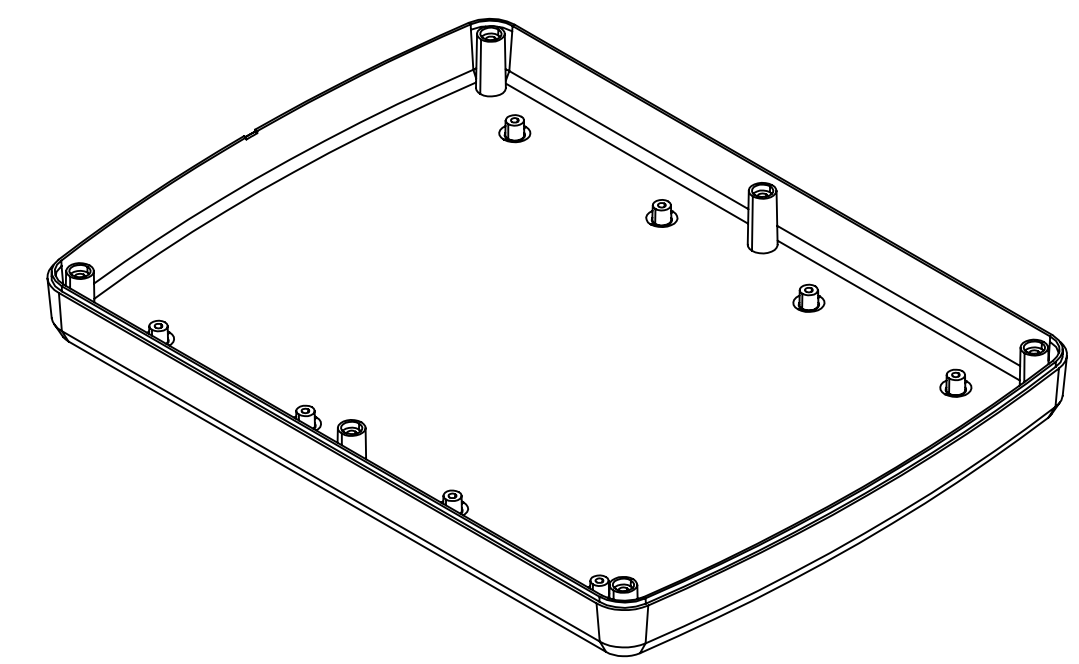
SURFACE-10




SURFACE-8

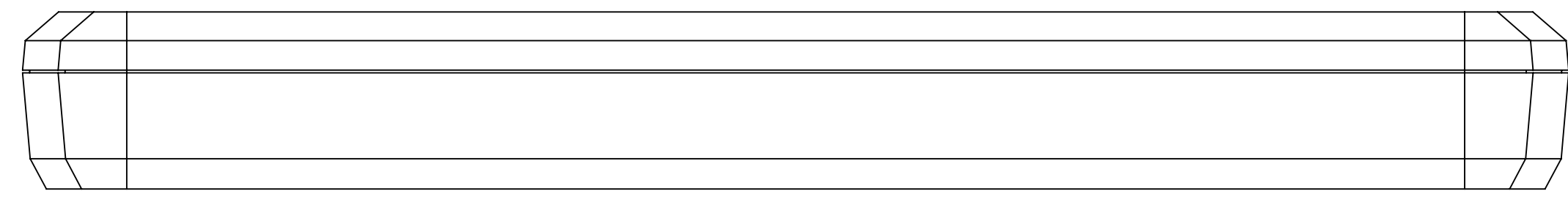


SURFACE-12 (INSIDE)

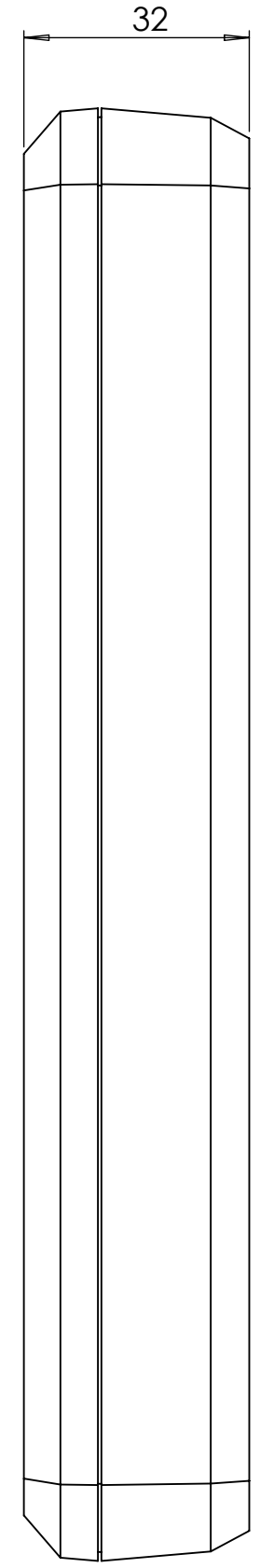


REV. NO	DATE	REVISED BY	DESCRIPTION OF CHANGE
 ALTINKAYA Electronic Enclosures & Components			www.altinkaya.com
Customer Name:		Customer Ref.:	
Altinkaya Ref.:		Part Name: HH-2084	
DRAWN	NAME	DATE	Drawn From:
CHECKED	Y.YEL	11.10.2024	Material:
DIMENSIONAL TOLERANCES UNLESS OTHERWISE SPECIFIED (DIN7168)		0.5-3mm	3-6mm
		±0.1	±0.1
		6-30mm	±0.2
		30-120mm	±0.3
		120-400mm	±0.5
		Dimension (mm)	m (Medium)
		SCALE 1:1	SHEET 01 OF 2
		UNIT: mm	A0

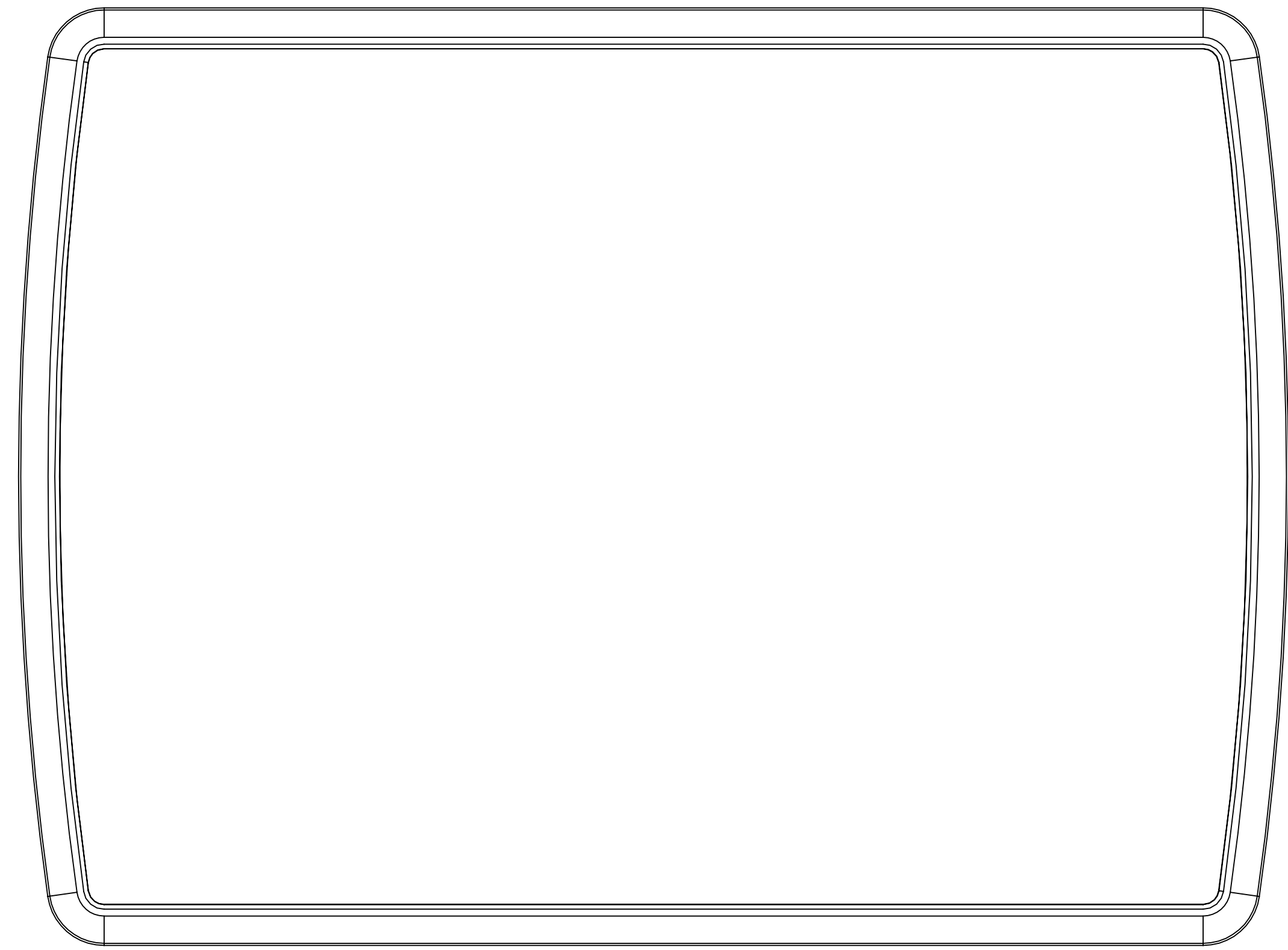
HH-2084 IF MACHINED TOGETHER



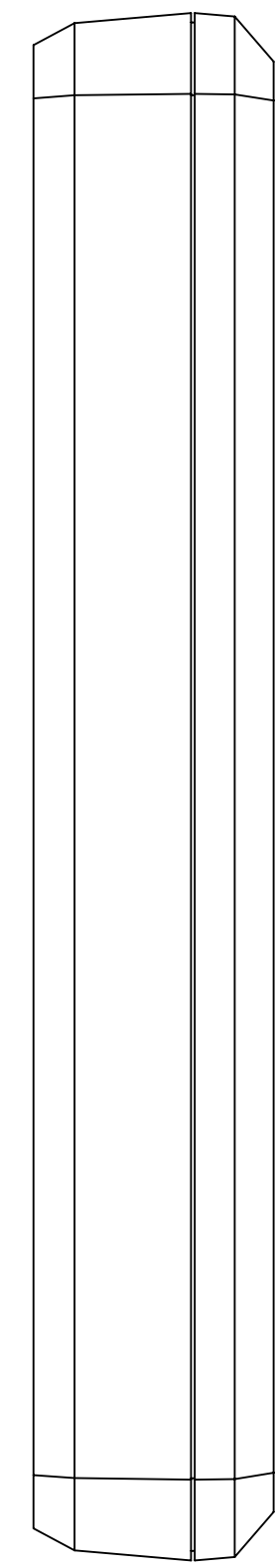
SURFACE-13



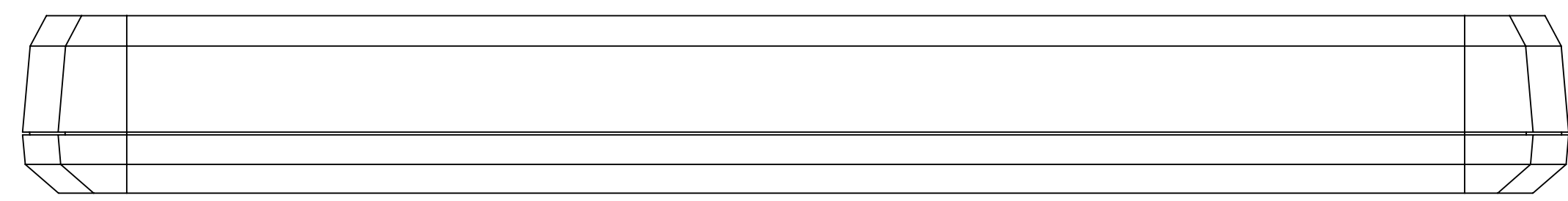
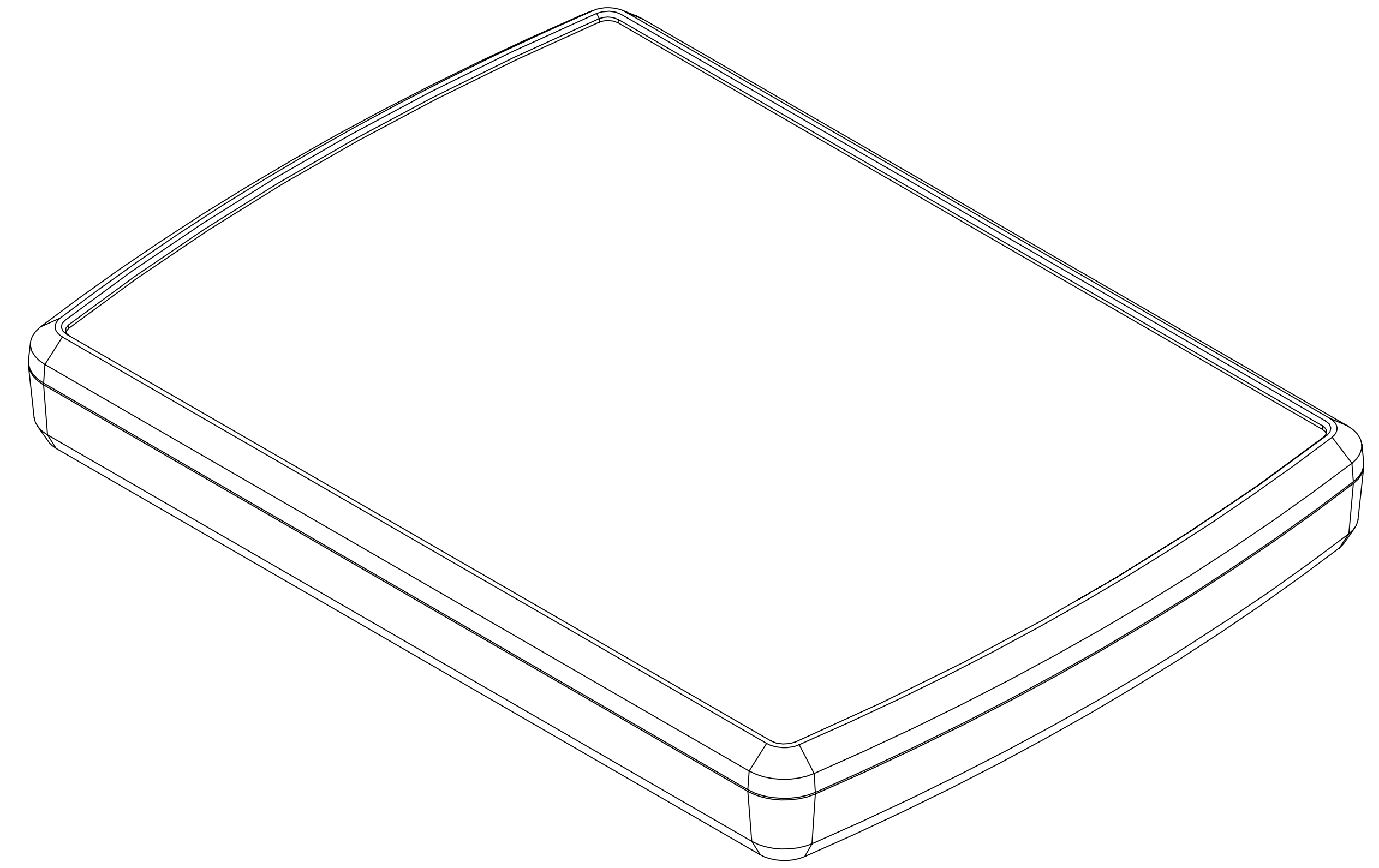
SURFACE-15



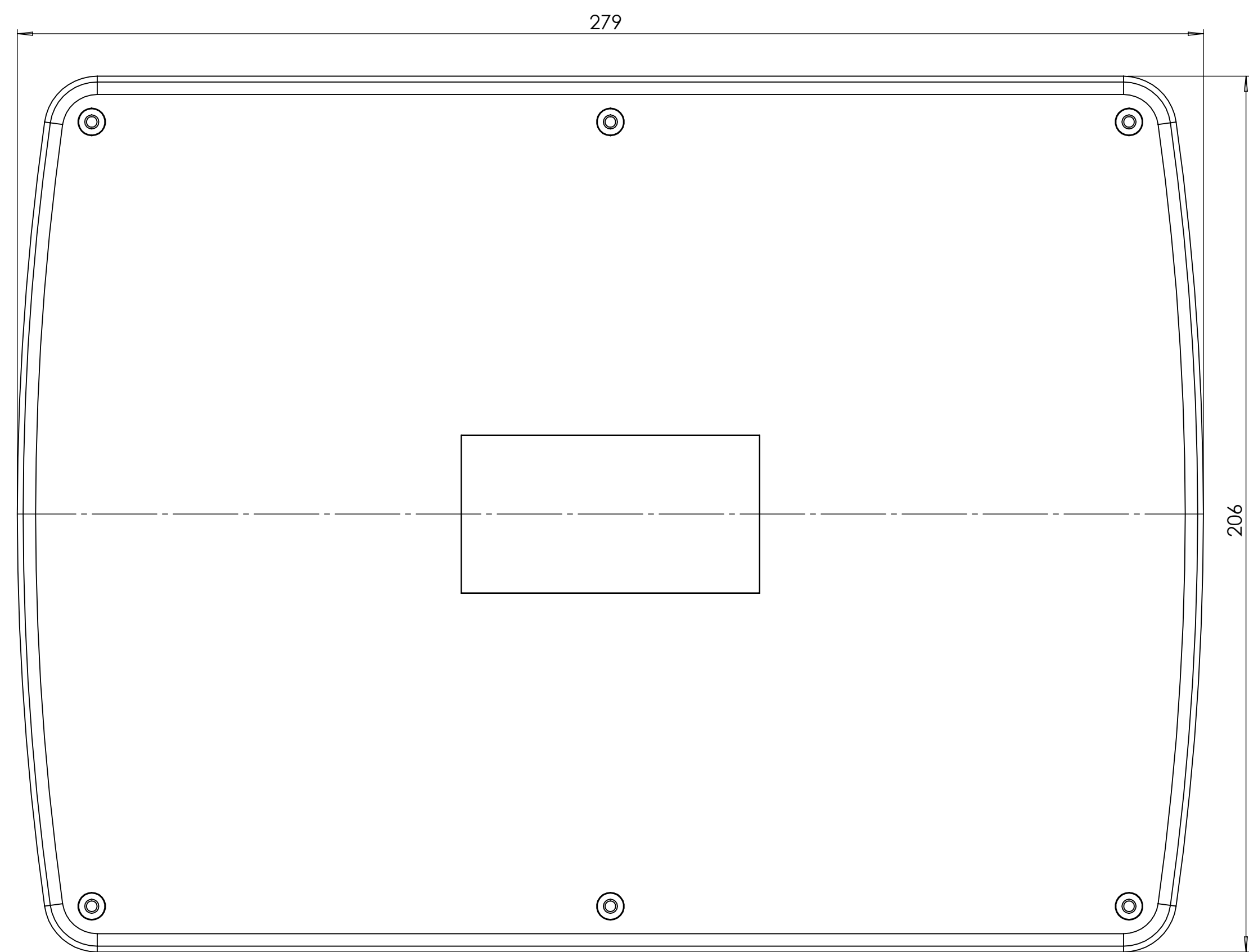
SURFACE-17



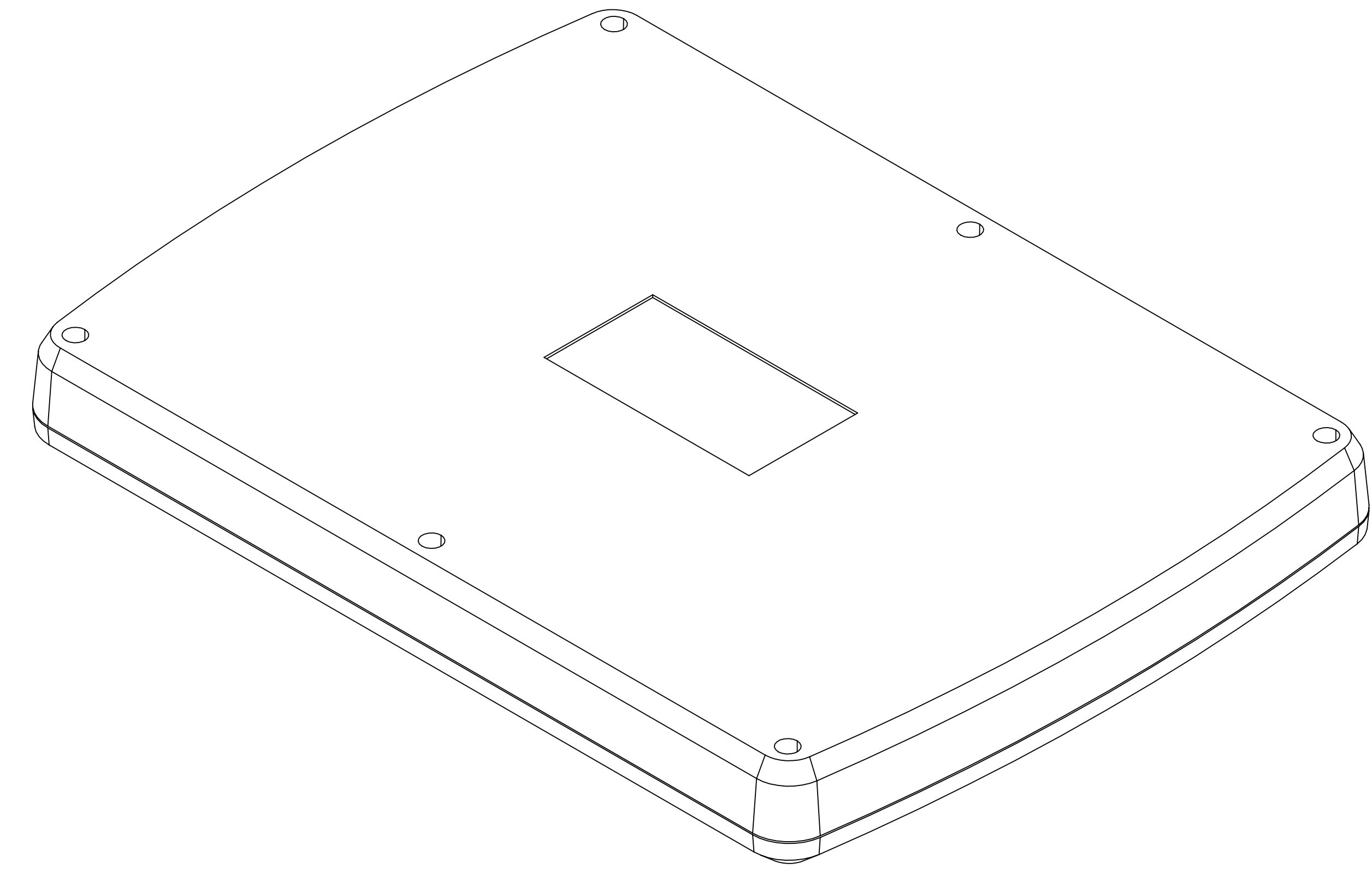
SURFACE-16




SURFACE-14



SURFACE-18



REV. NO	DATE	REVISED BY	DESCRIPTION OF CHANGE
 ALTINKAYA Electronic Enclosures & Components			www.altinkaya.com
Customer Name:		Customer Ref.:	
Altinkaya Ref.:		Part Name: HH-2084	
DRAWN	NAME	DATE	Drawn From:
CHECKED	Y.YEL	11.10.2024	Material:
DIMENSIONAL TOLERANCES UNLESS OTHERWISE SPECIFIED (DIN7168)		0.5-3mm	3-6mm
		±0.1	±0.1
		6-30mm	±0.2
		30-120mm	±0.3
		120-400mm	±0.5
		Dimension (mm)	m (Medium)
		SCALE 1:1	SHEET 2 OF 2
		UNIT: mm	A0