

BASE: 6 SURFACE

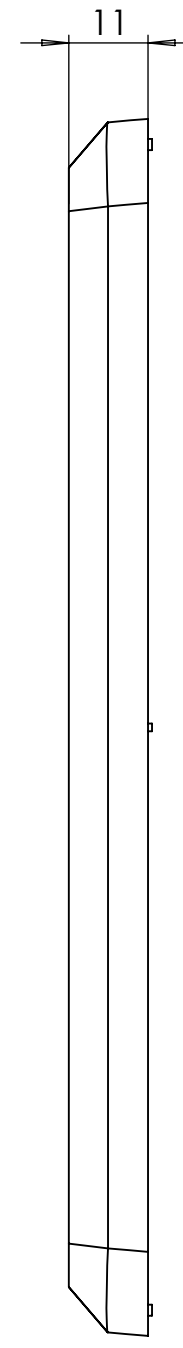
COVER: 6 SURFACE



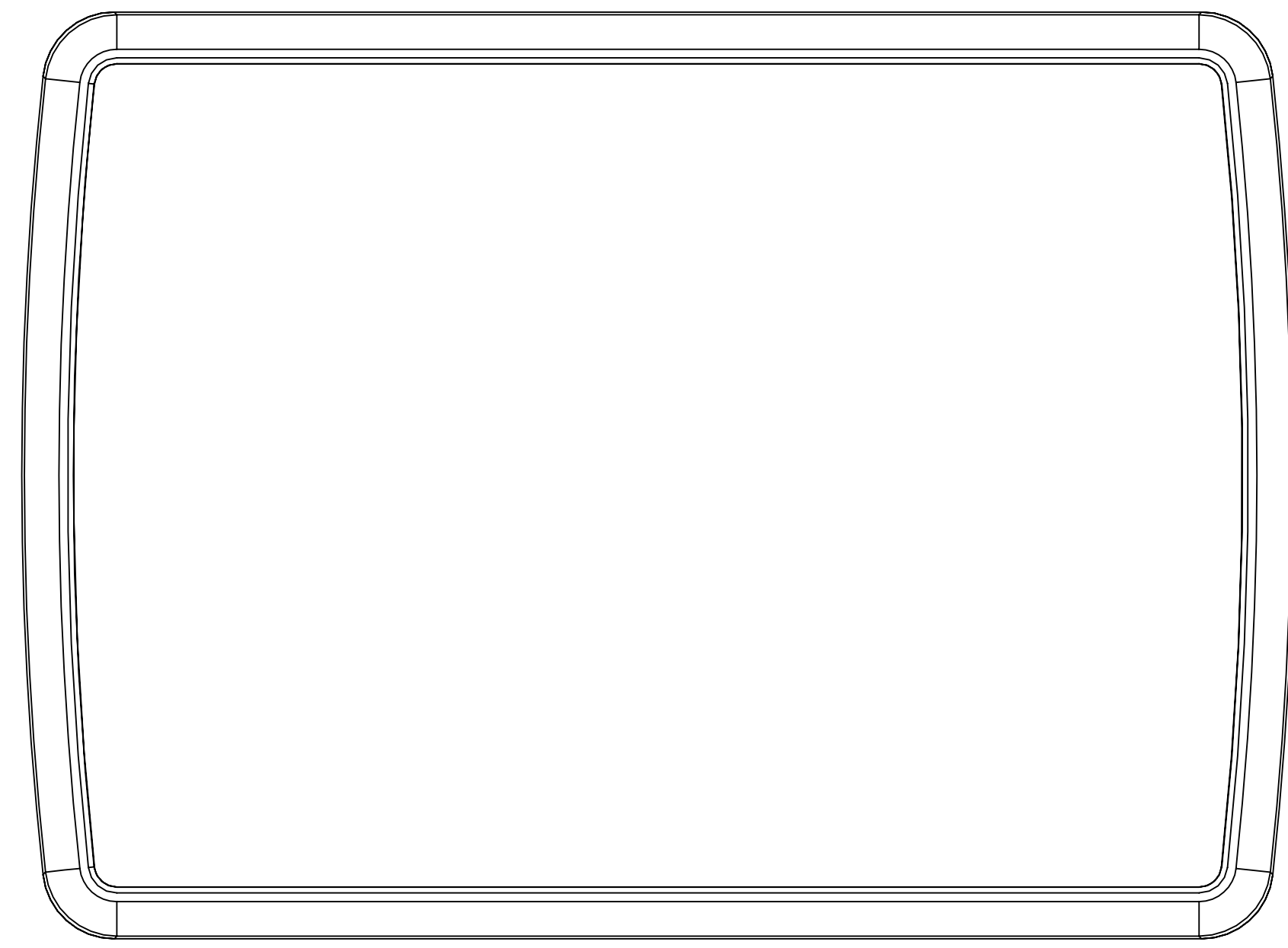
SURFACE-1



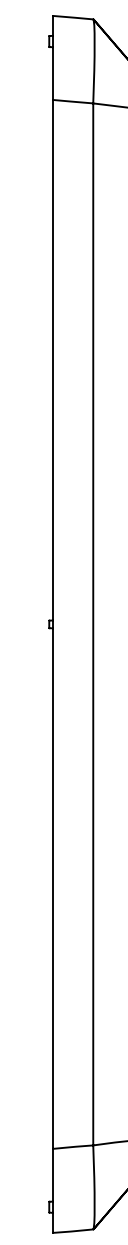
SURFACE-7



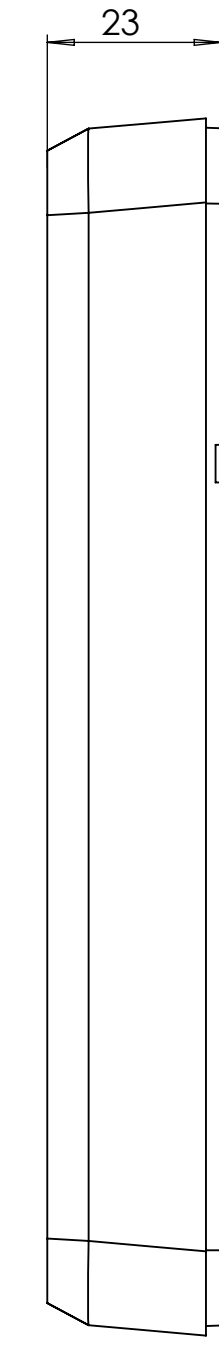
SURFACE-3



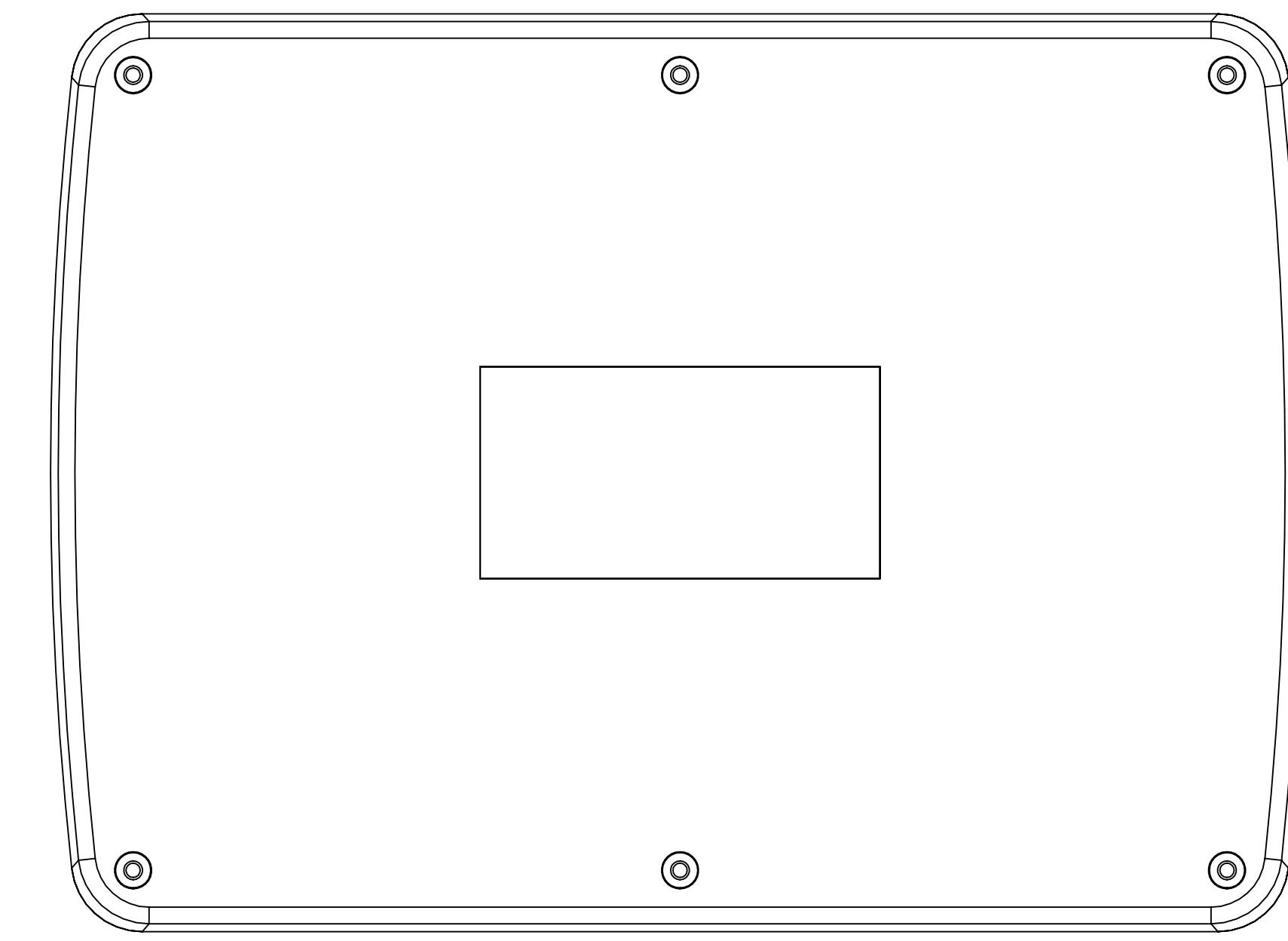
SURFACE-5



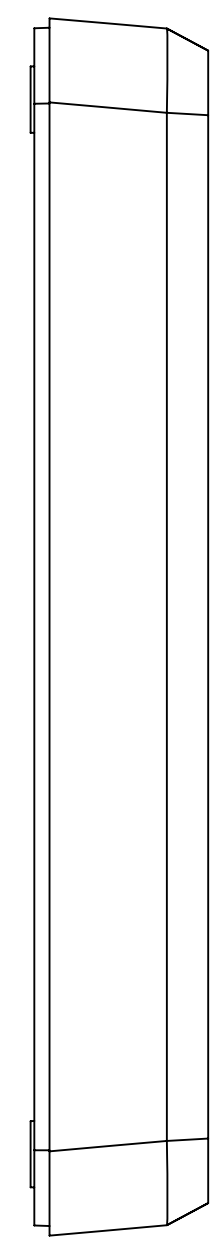
SURFACE-4



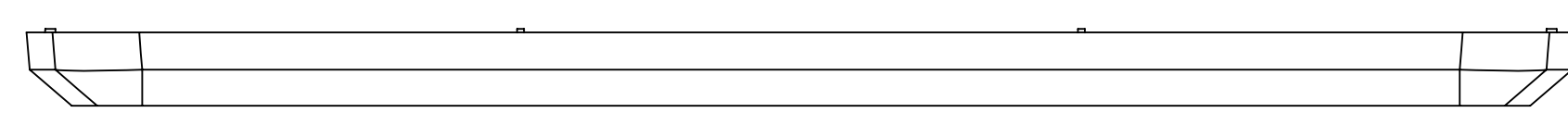
SURFACE-9



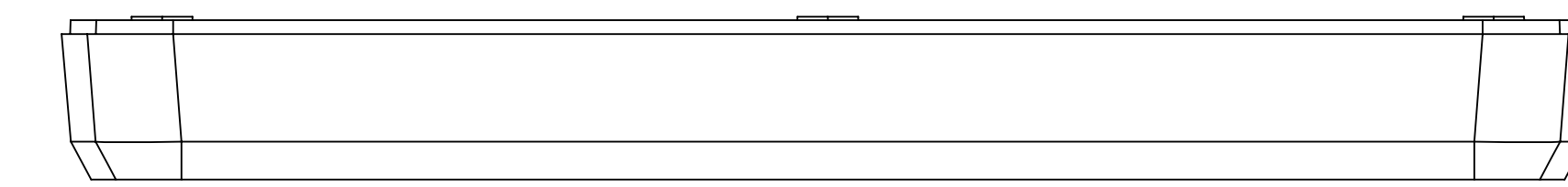
SURFACE-11



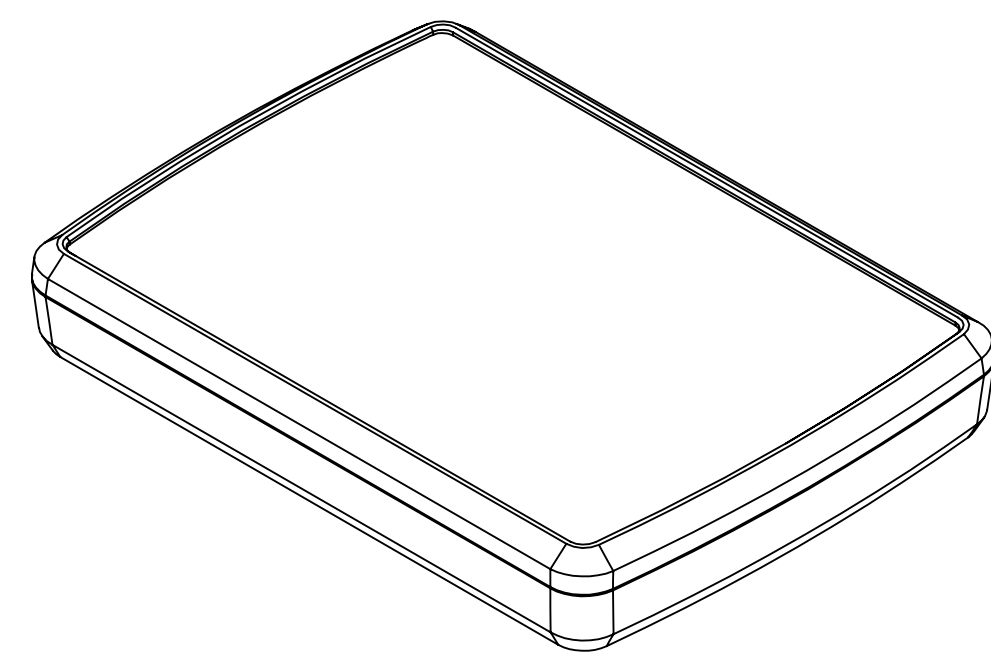
SURFACE-10



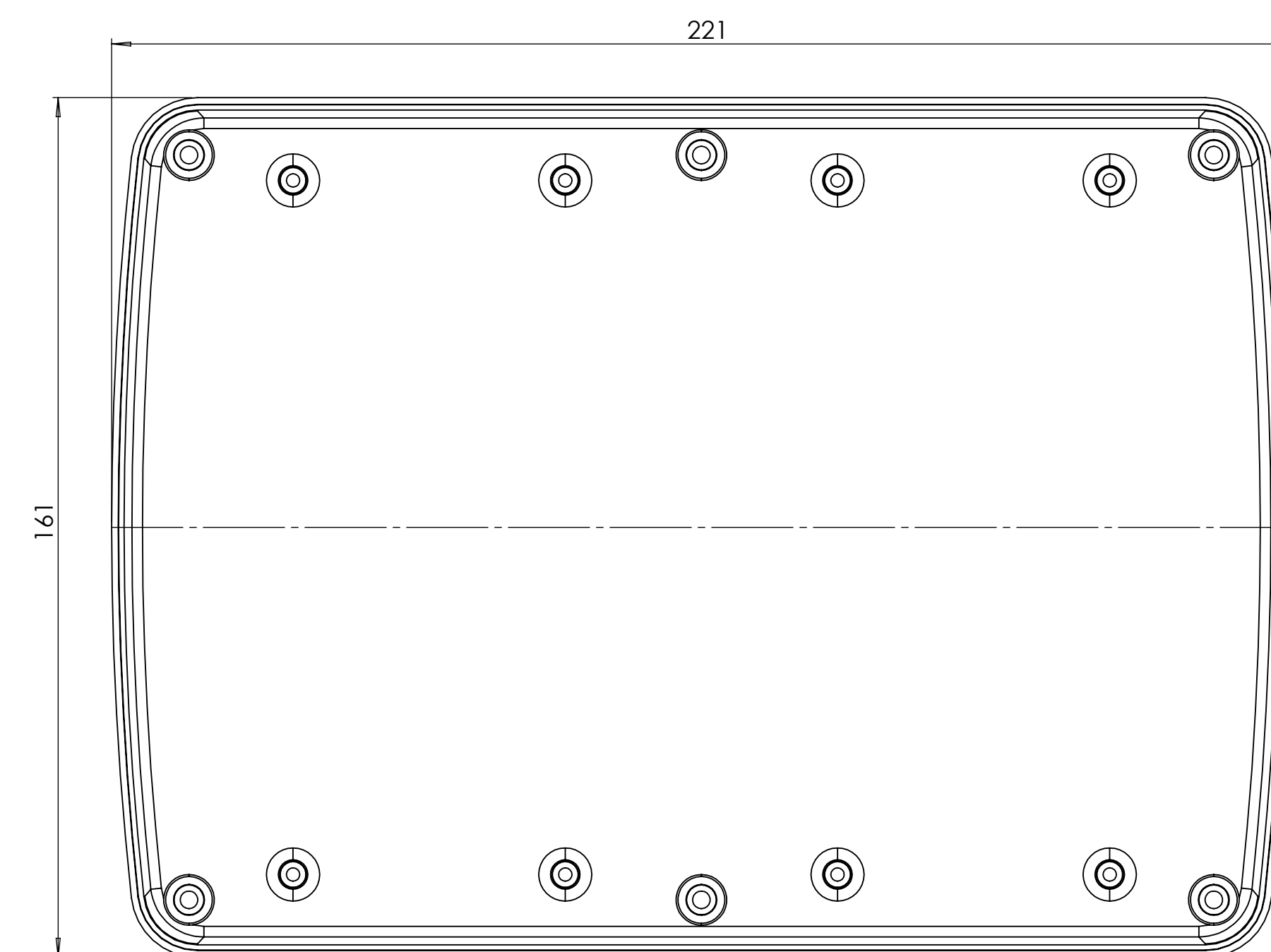
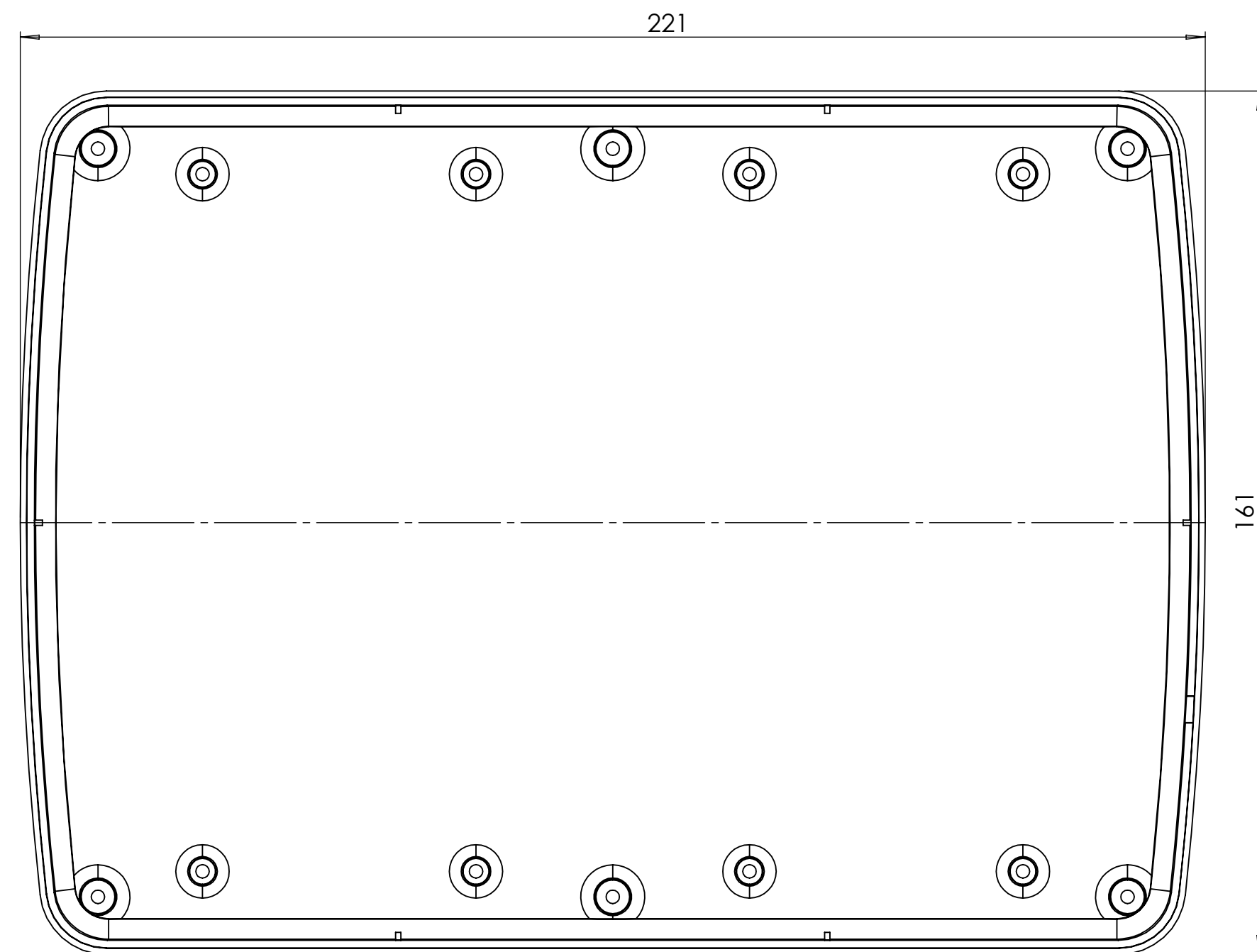
SURFACE-2



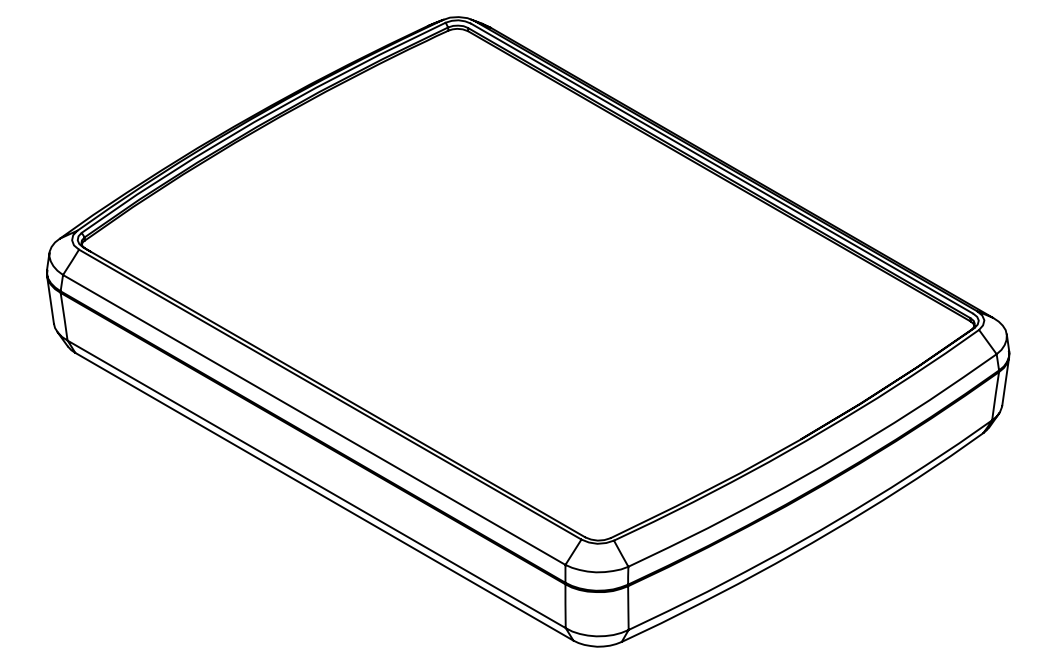
SURFACE-8




SURFACE-6 (INSIDE)

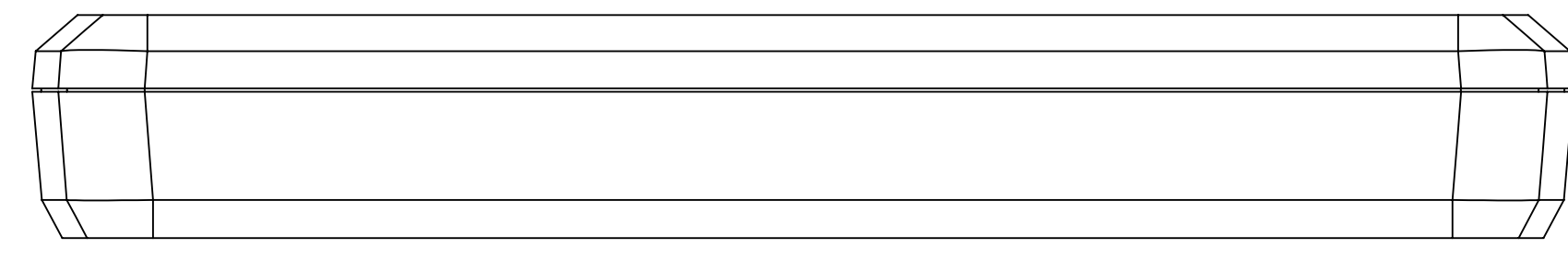


SURFACE-12 (INSIDE)

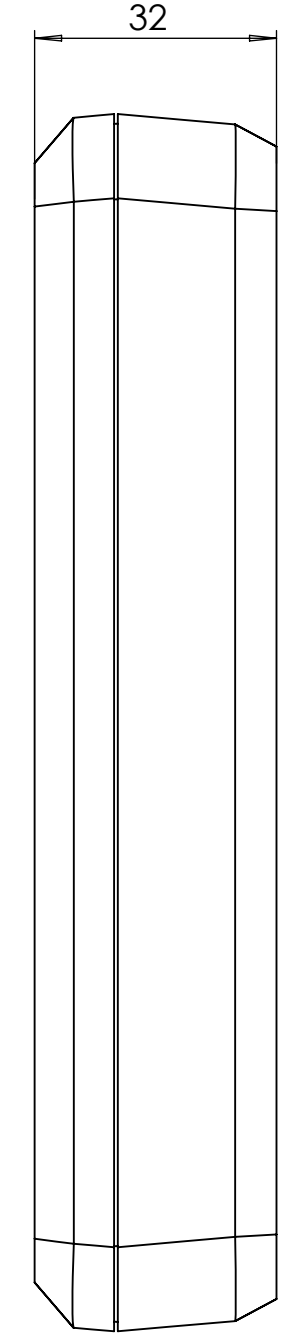


REV. NO	DATE	REVISED BY	DESCRIPTION OF CHANGE
 ALTINKAYA Electronic Enclosures & Components			
Customer Name:		Customer Ref.:	
Altinkaya Ref.:		Part Name: HH-2070-G-0-G-0	
DRAWN	NAME	DATE	Drawn From:
CHECKED	Y.YEL	10.10.2024	Weight:
DIMENSIONAL TOLERANCES UNLESS OTHERWISE SPECIFIED (DIN7168)			
±0.1	±0.1	±0.2	±0.3 ±0.5
0.5-3mm			3-6mm
6-30mm			30-120mm
120-400mm			Dimension (mm)
m (Medium)			SCALE 1:1
SHEET 1 OF 2			UNIT: mm

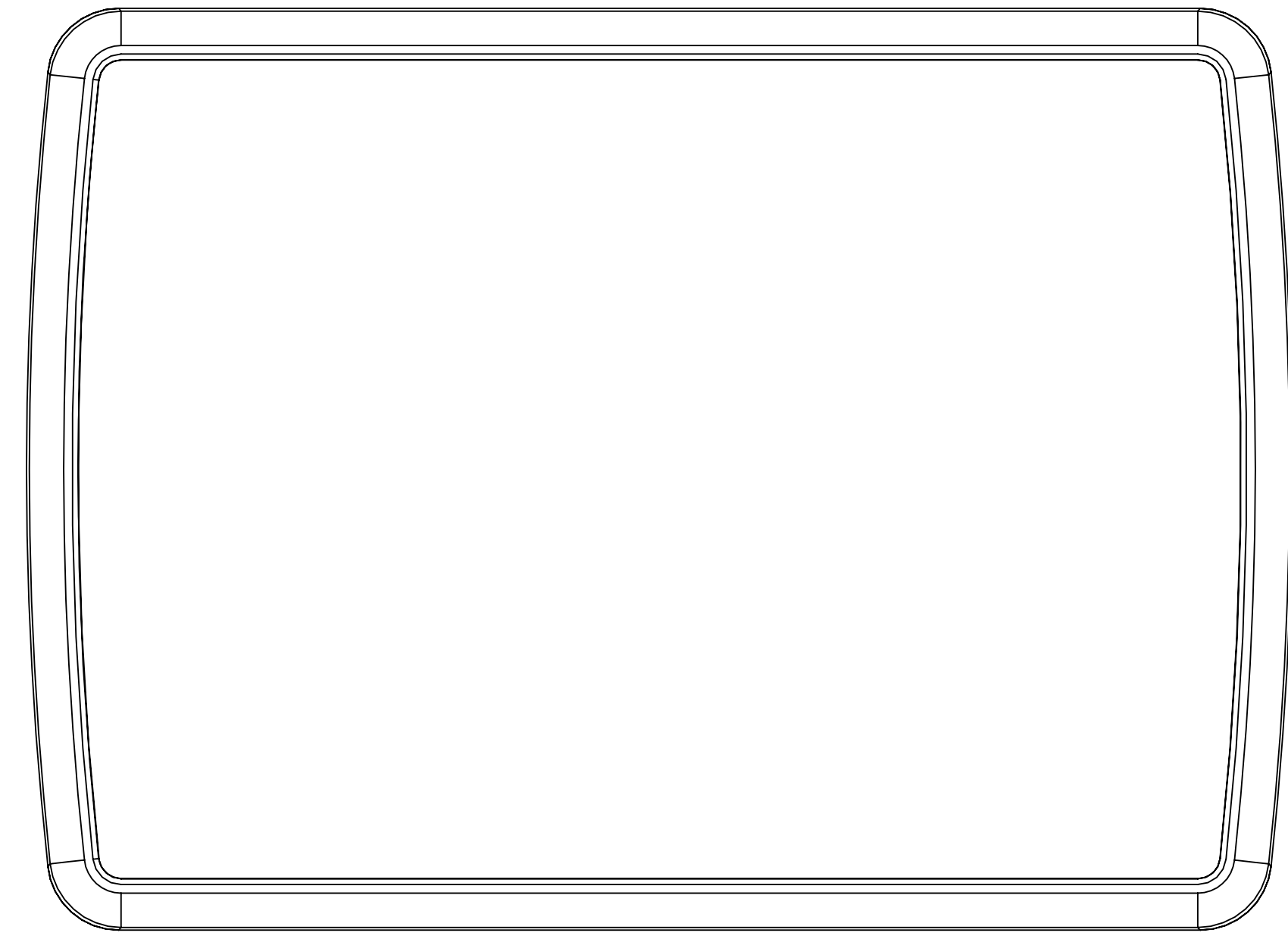
HH-2070 IF MACHINED TOGETHER



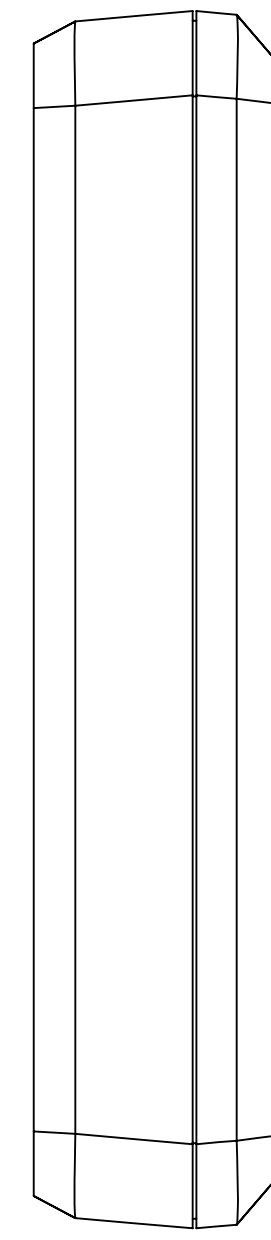
SURFACE-13



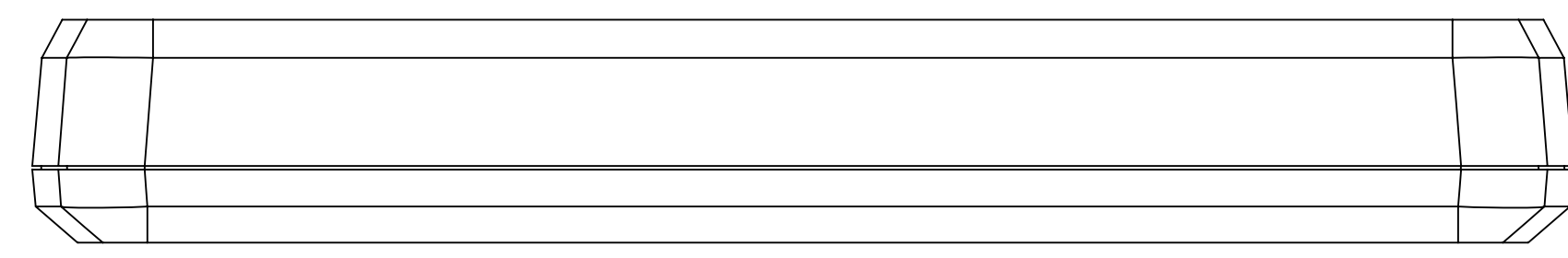
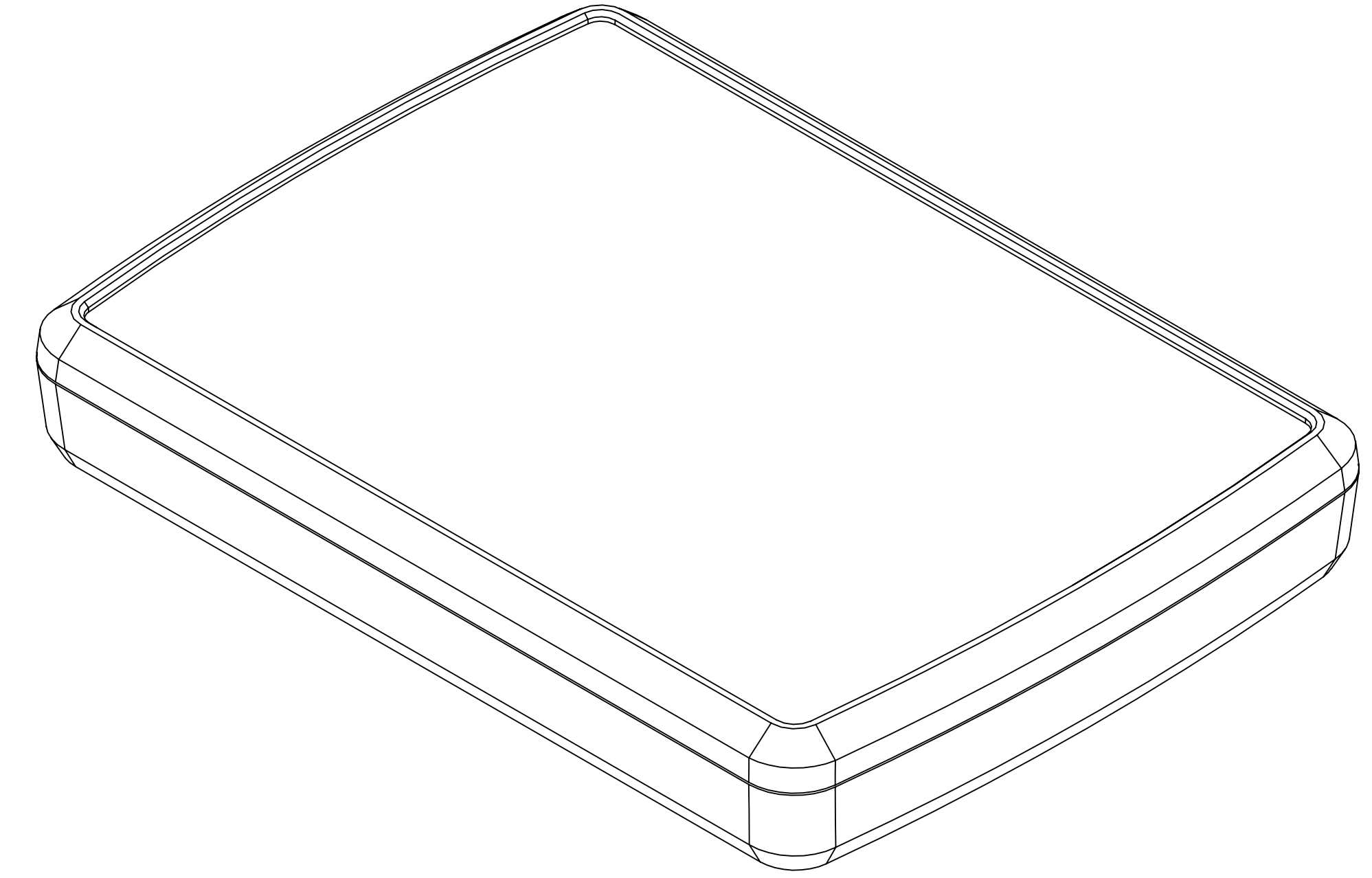
SURFACE-15



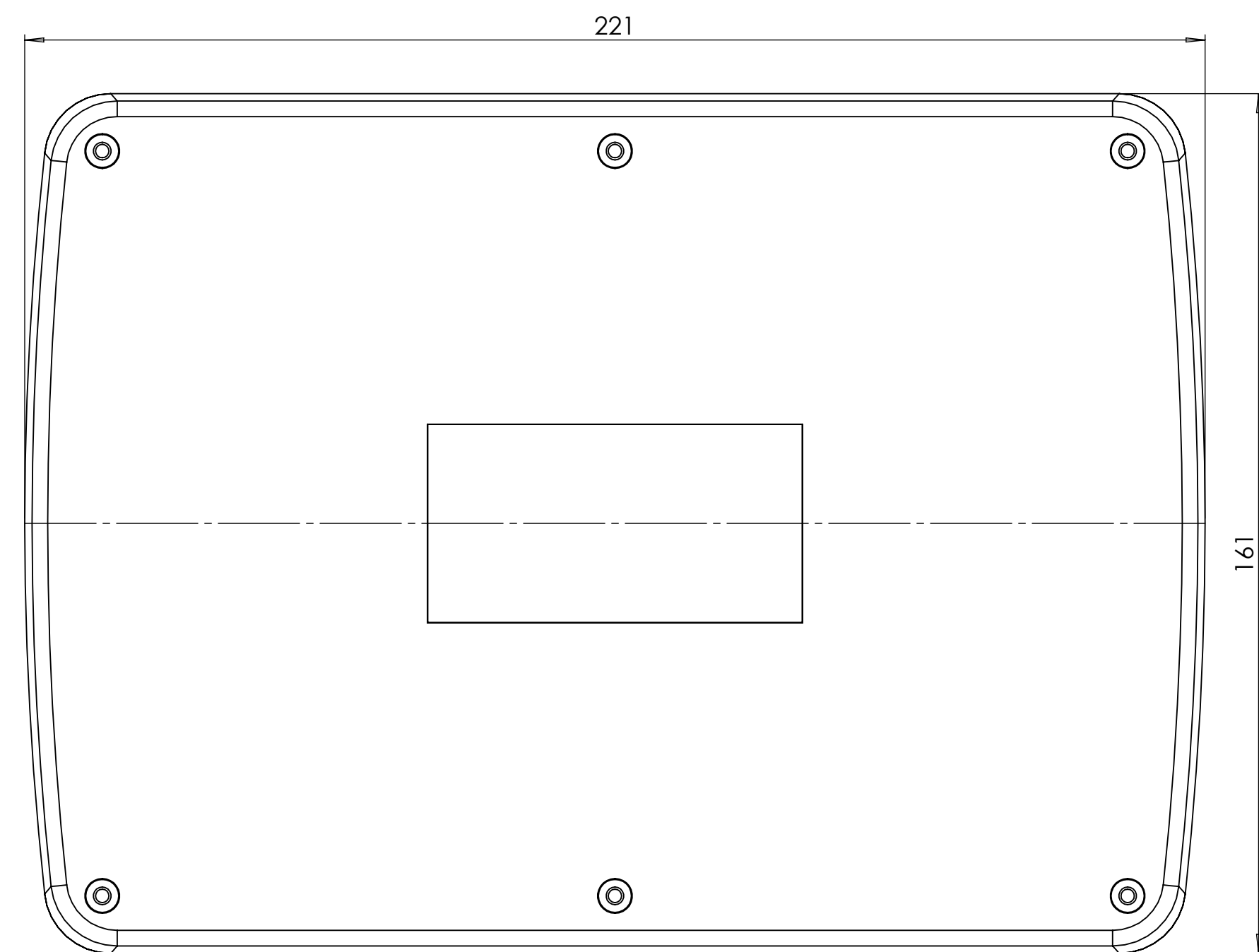
SURFACE-17



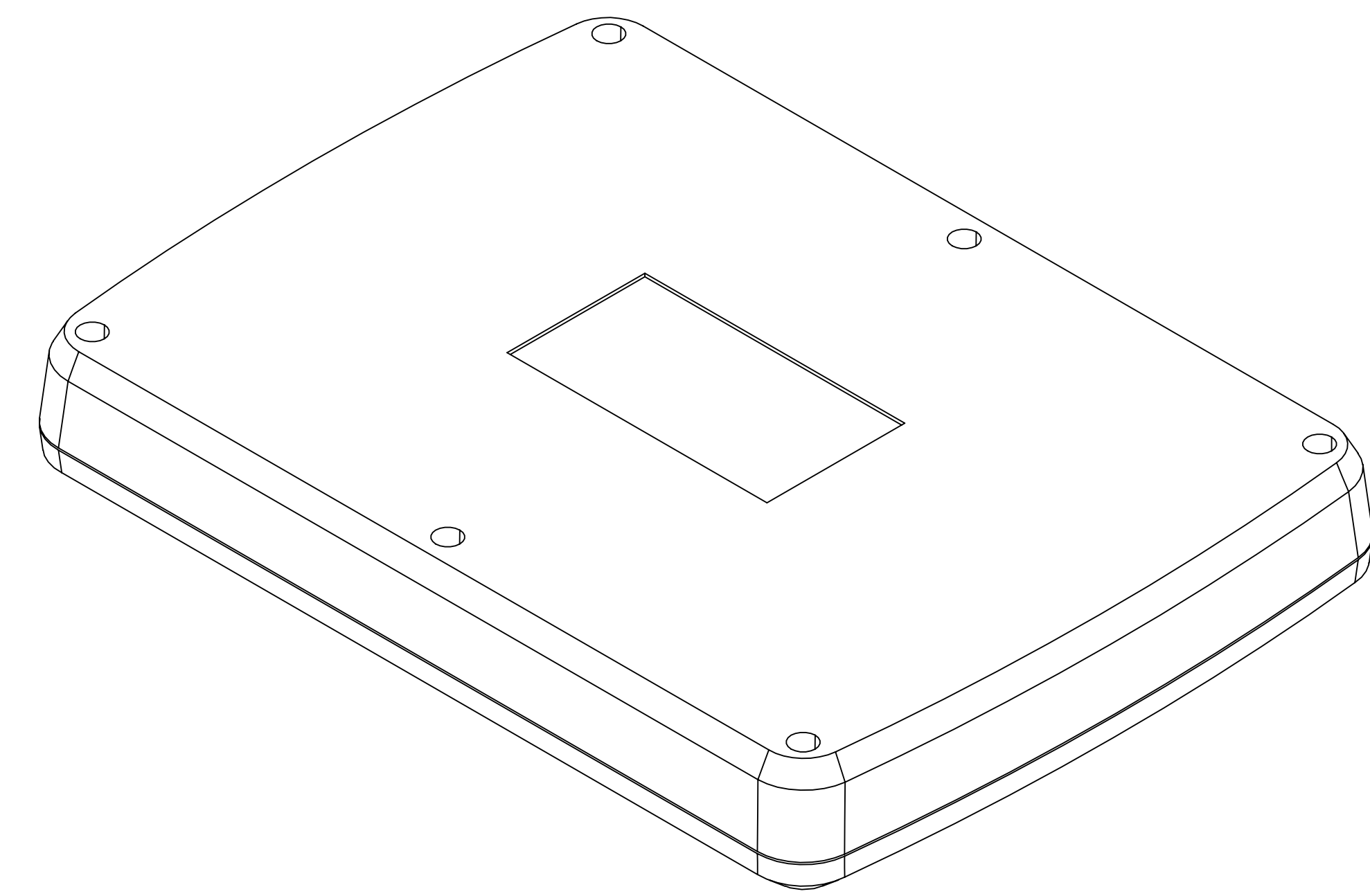
SURFACE-16




SURFACE-14



SURFACE-18



REV. NO	DATE	REVISED BY	DESCRIPTION OF CHANGE
 ALTINKAYA Electronic Enclosures & Components			www.altinkaya.com
Customer Name:		Customer Ref.:	
Altinkaya Ref.:		Part Name: HH-2070-G-0-G-0	
DRAWN	NAME	DATE	Drawn From:
CHECKED	Y.YEL	10.10.2024	Material:
DIMENSIONAL TOLERANCES UNLESS OTHERWISE SPECIFIED (DIN7168)			SCALE 1:1 SHEET 2 OF 2
±0.1	±0.1	±0.2	Weight:
±0.3	±0.5	±0.5	UNIT: mm
±0.5	±0.5	±0.5	UNITS: mm
±0.5	±0.5	±0.5	Dimension (mm)
±0.5	±0.5	±0.5	m (Medium)