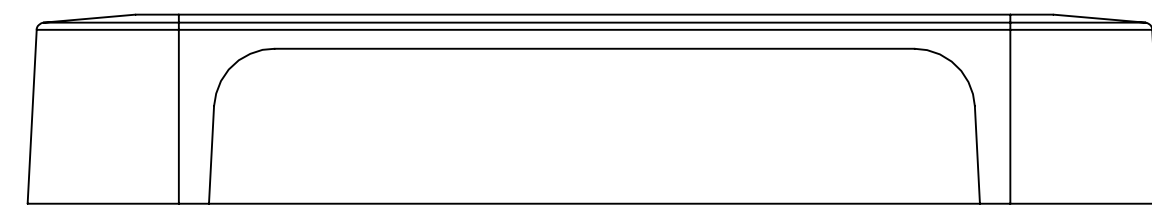
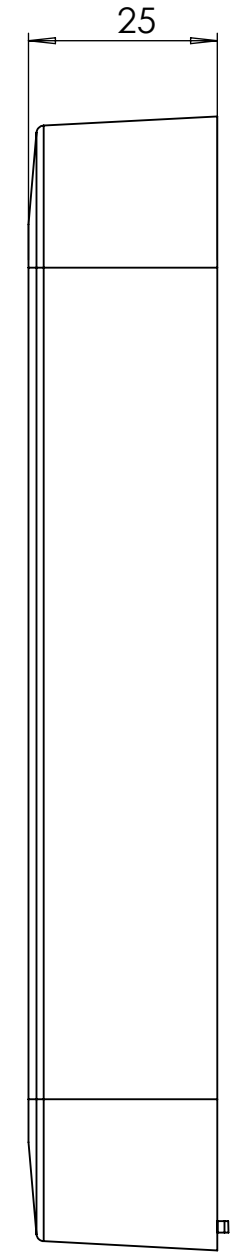


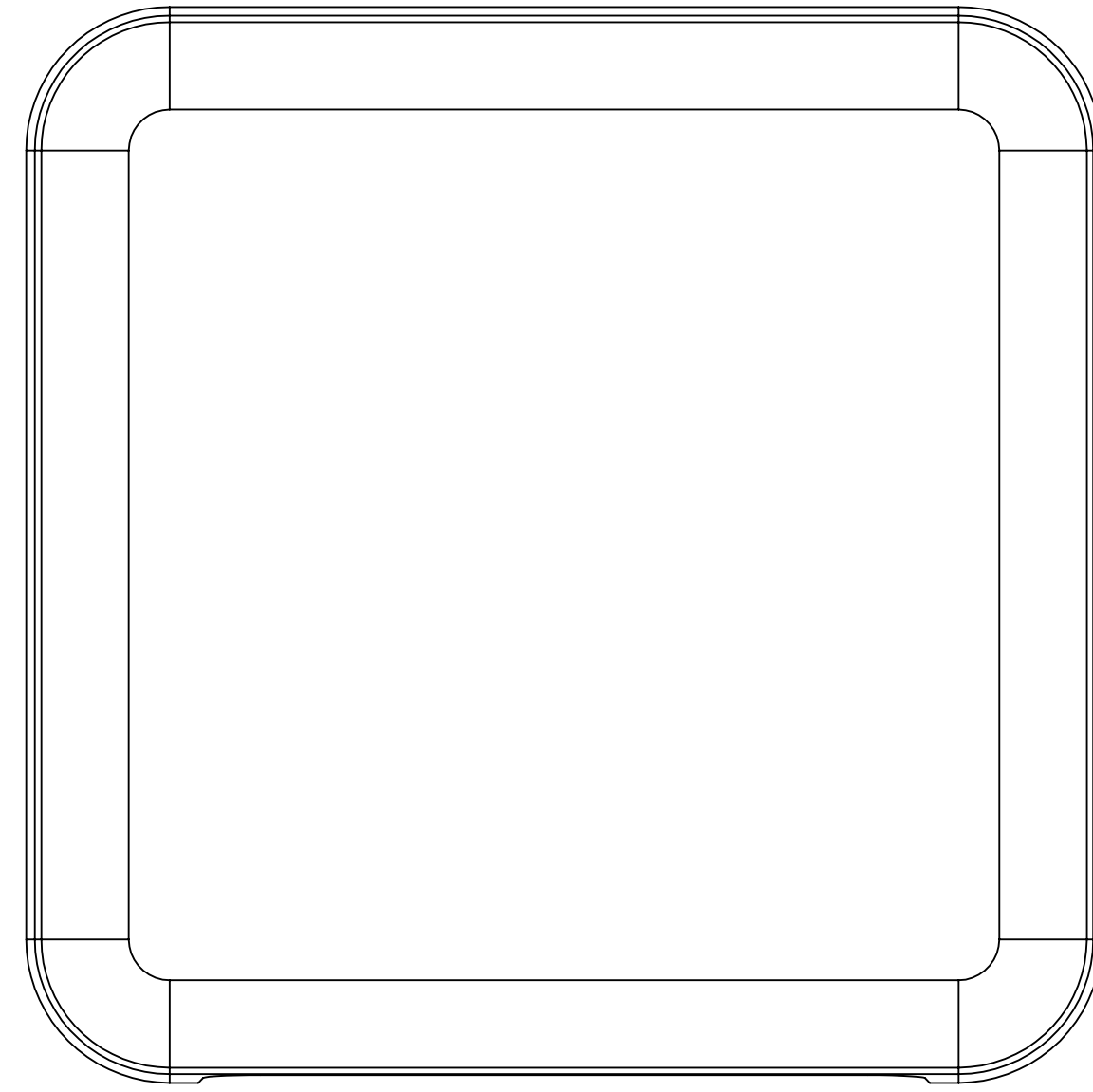
BASE: 6 SURFACE



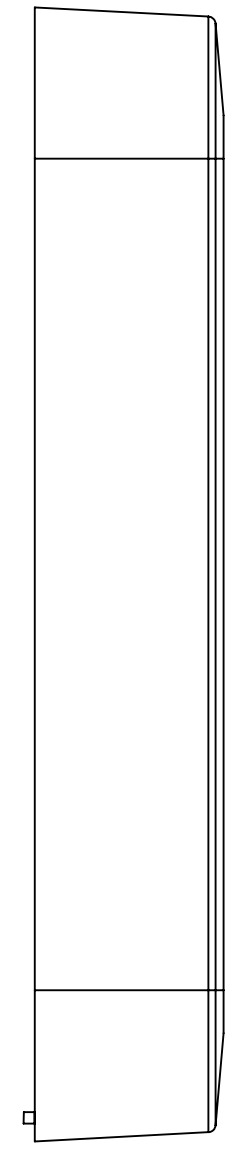
SURFACE-1



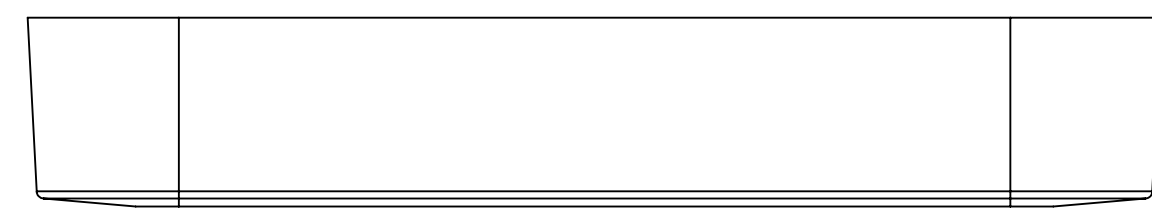
SURFACE-3



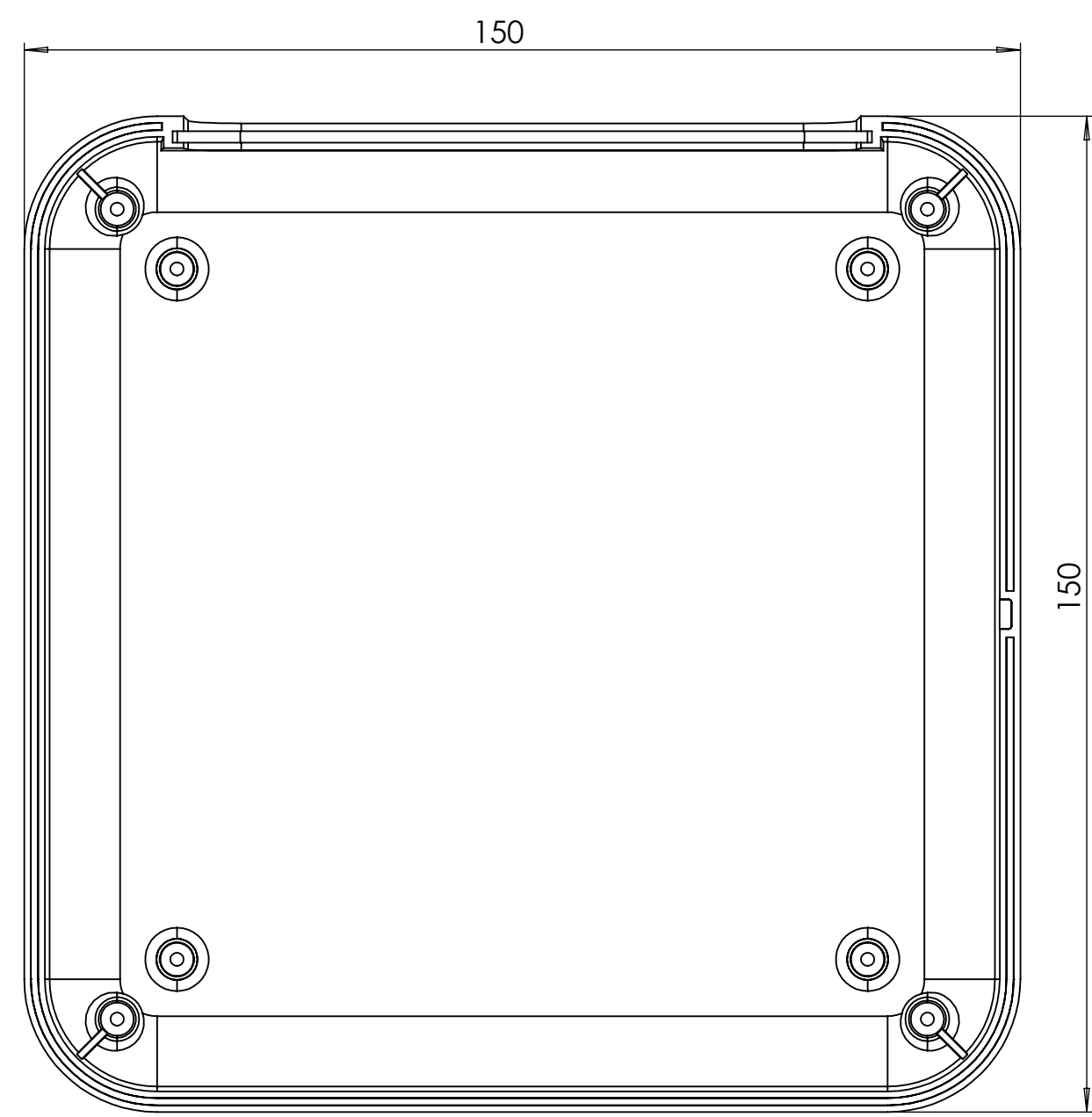
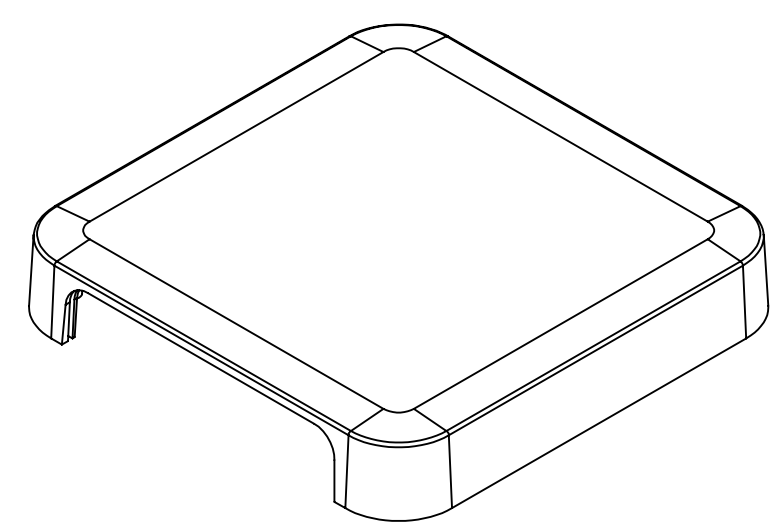
SURFACE-5



SURFACE-4

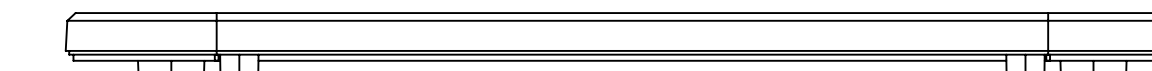


SURFACE-2

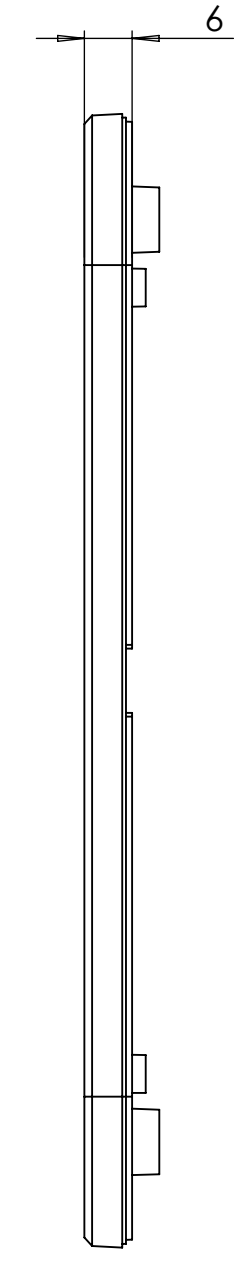


SURFACE-6 (INSIDE)

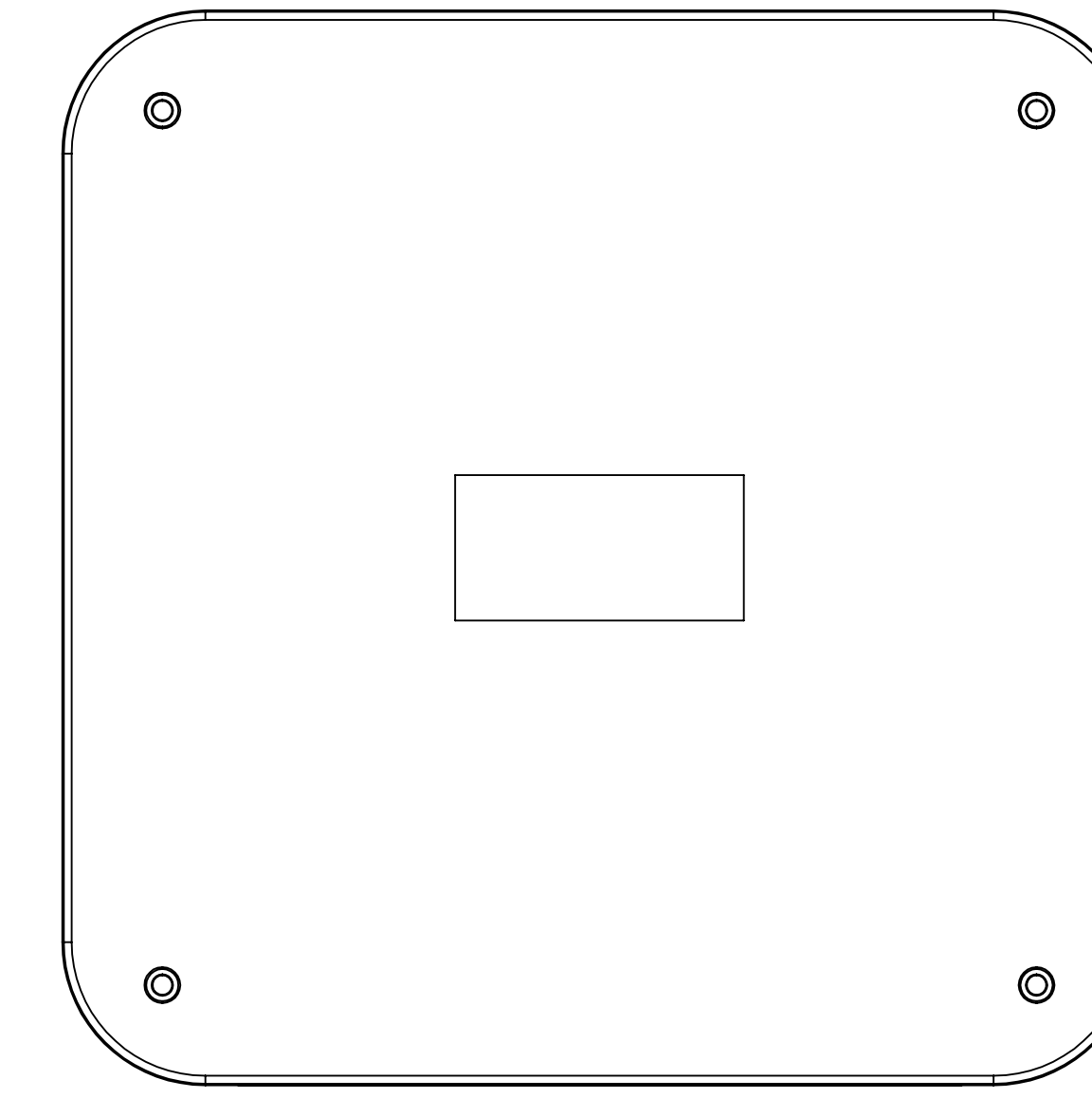
COVER: 6 SURFACE



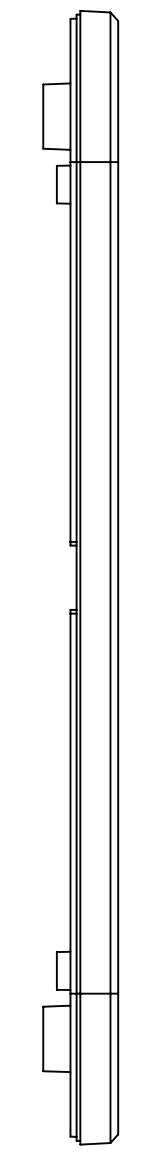
SURFACE-7



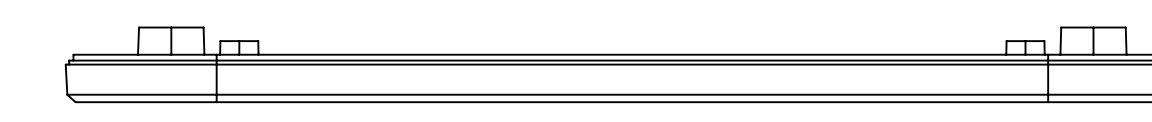
SURFACE-9



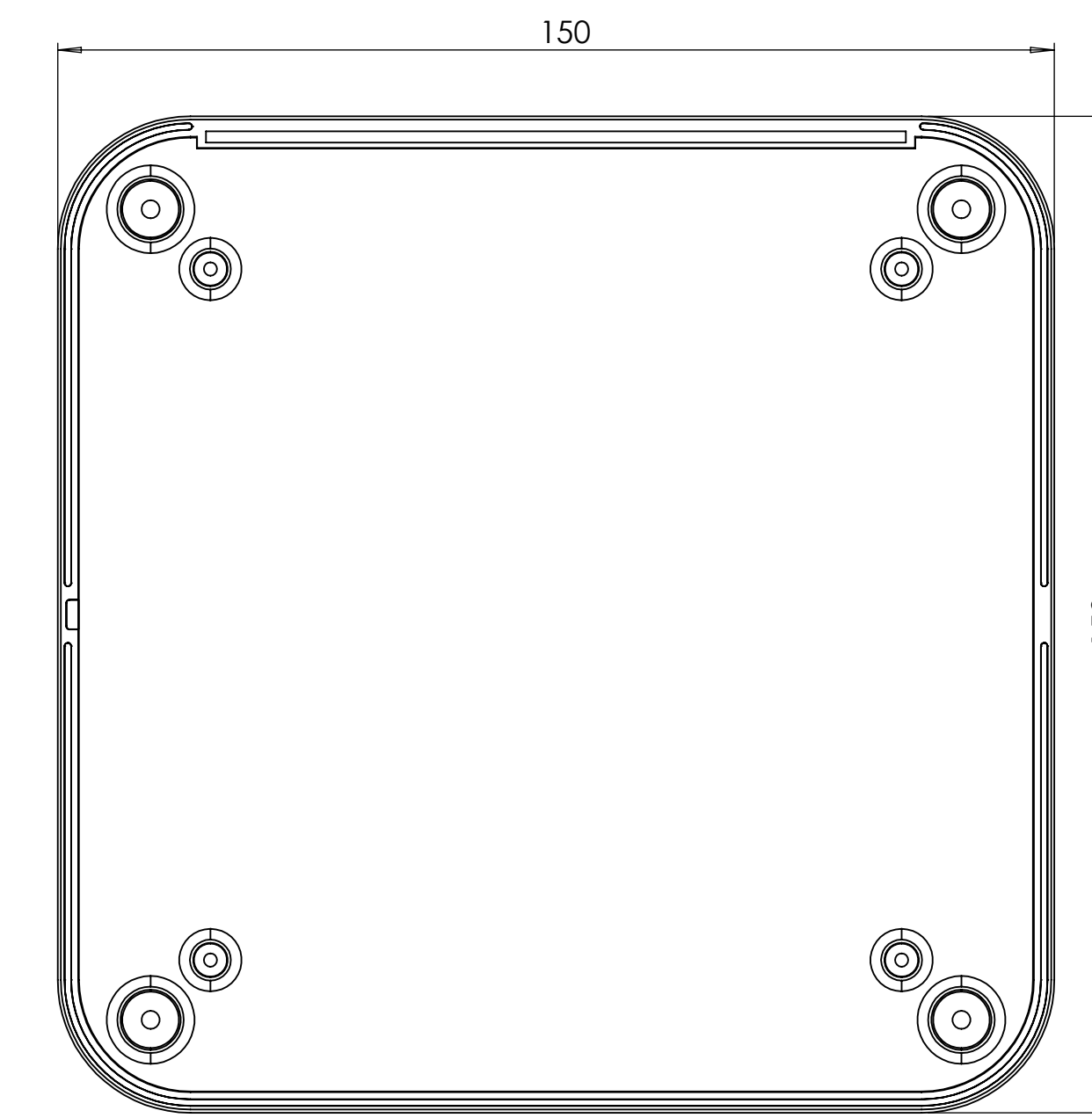
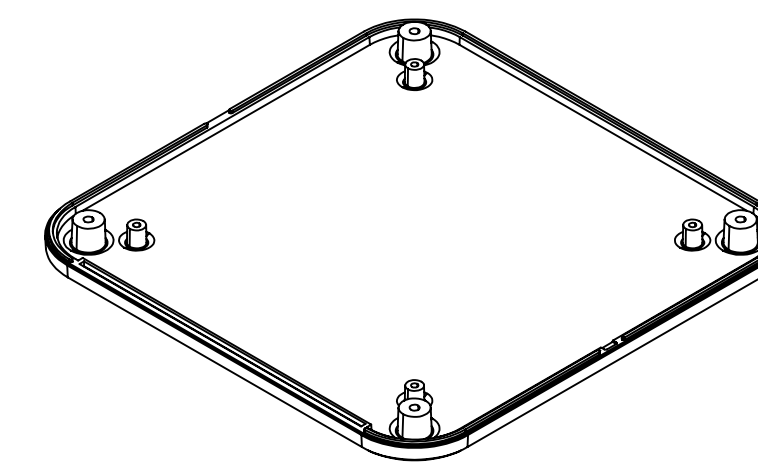
SURFACE-11



SURFACE-10

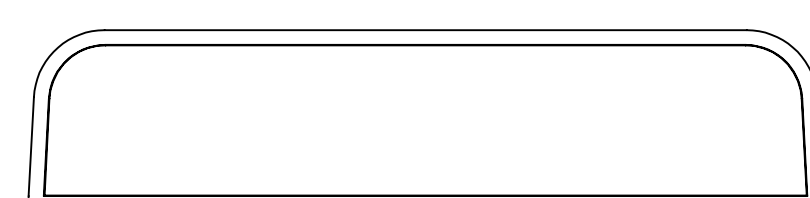
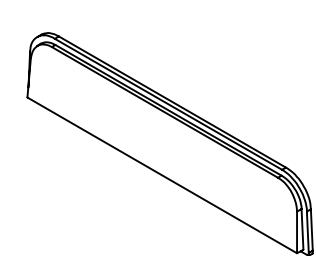


SURFACE-8

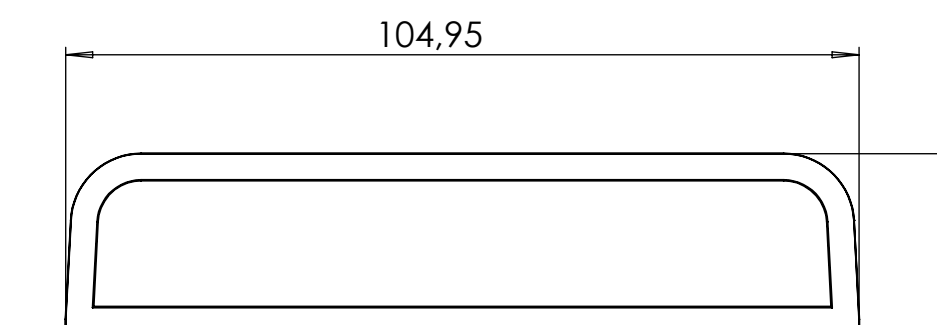


SURFACE-12 (INSIDE)


PANEL: 2 SURFACE



SURFACE-13

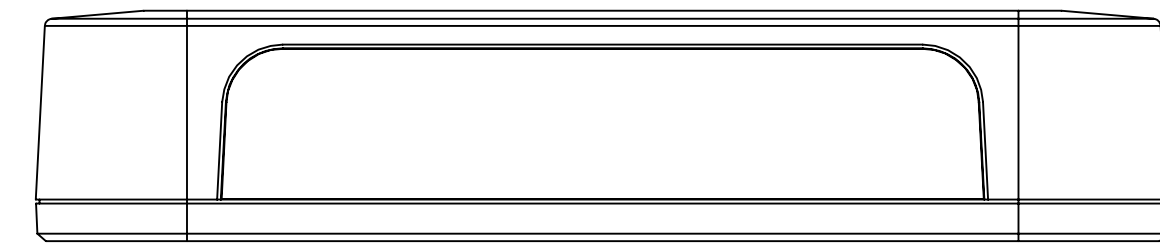


SURFACE-14 (INSIDE)

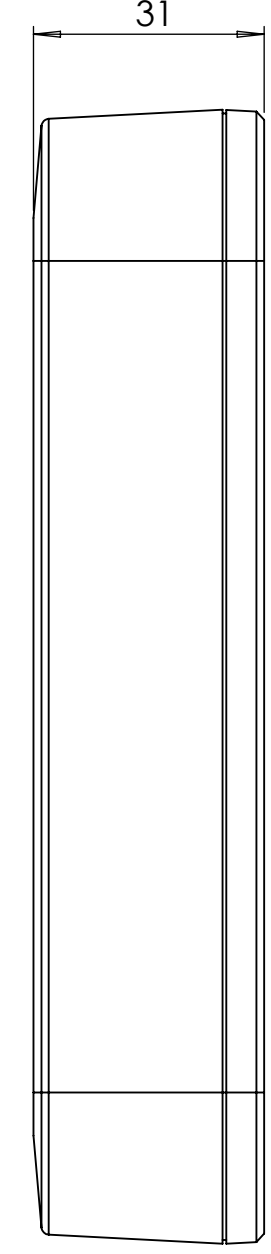
REV. NO	DATE	REVISED BY	DESCRIPTION OF CHANGE
 ALTINKAYA Electronic Enclosures & Components			
Customer Name:		Customer Ref.:	
Altinkaya Ref.:		Part Name: HH-1515	
NAME	DATE	Drawn From:	SCALE 1:1
DRAWN S.YESILOZ	25.09.2024	Material:	SHEET 1 OF 2
CHECKED Y.YEL	25.09.2024	Weight:	UNIT: mm
DIMENSIONAL TOLERANCES UNLESS OTHERWISE SPECIFIED (DIN7168)			AO
0.5-3mm	3-6mm	6-30mm	30-120mm
±0.1	±0.1	±0.2	±0.3
			±0.5
			m (Medium)

www.altinkaya.com

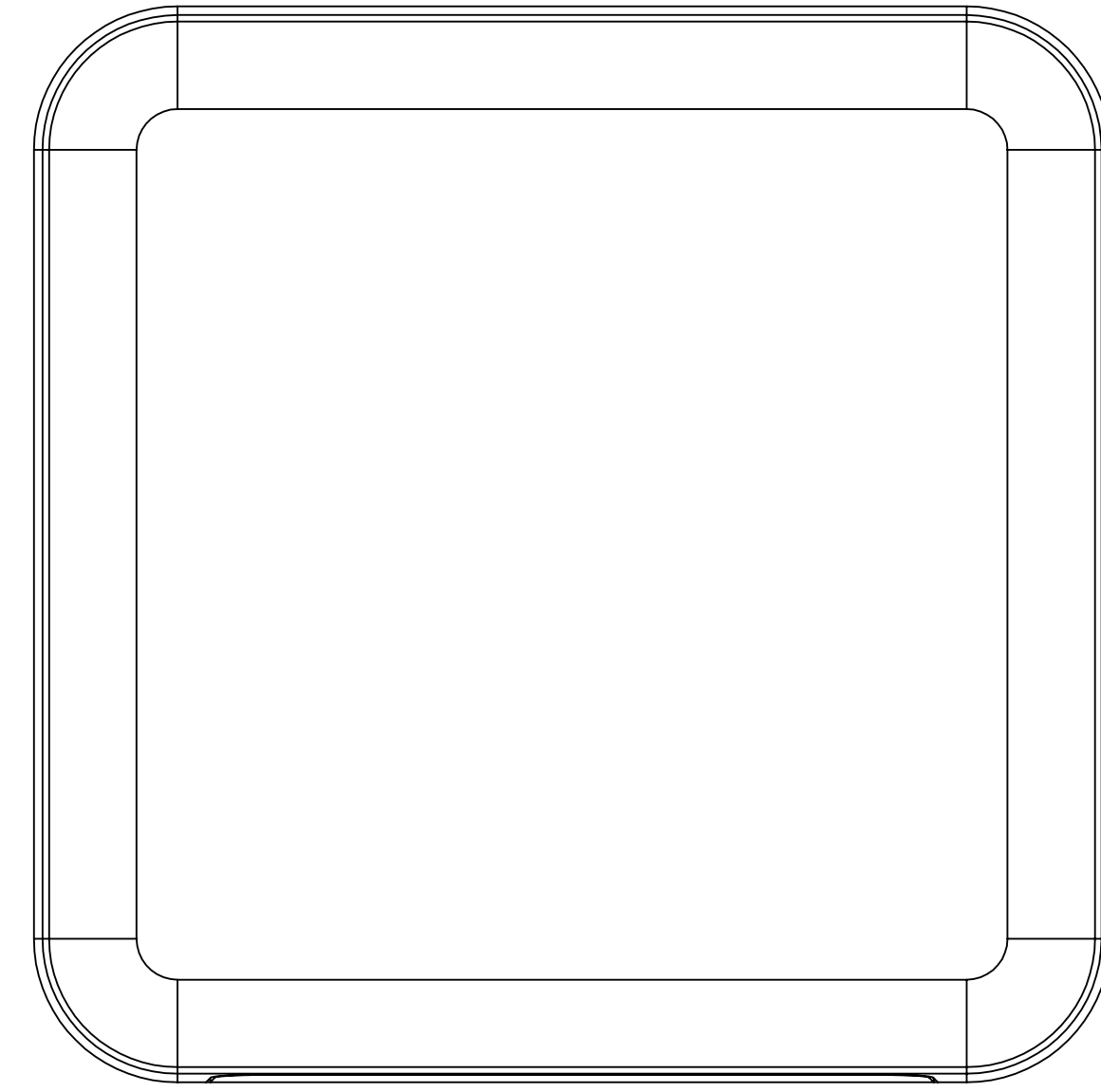
HH-1515 IF MACHINED TOGETHER



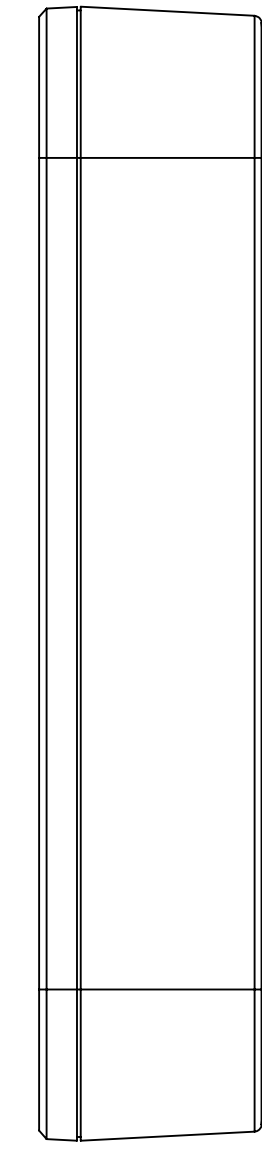
SURFACE-15



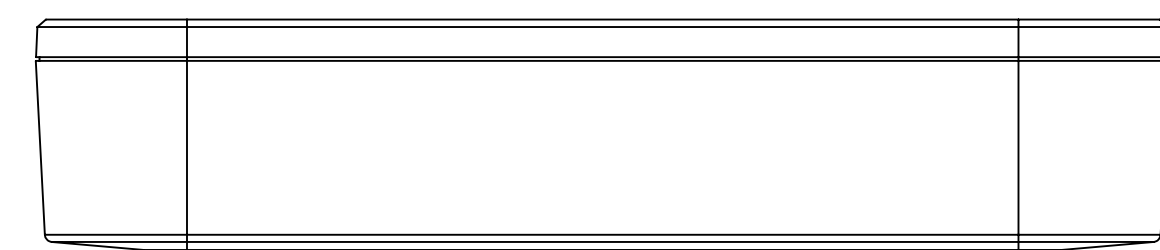
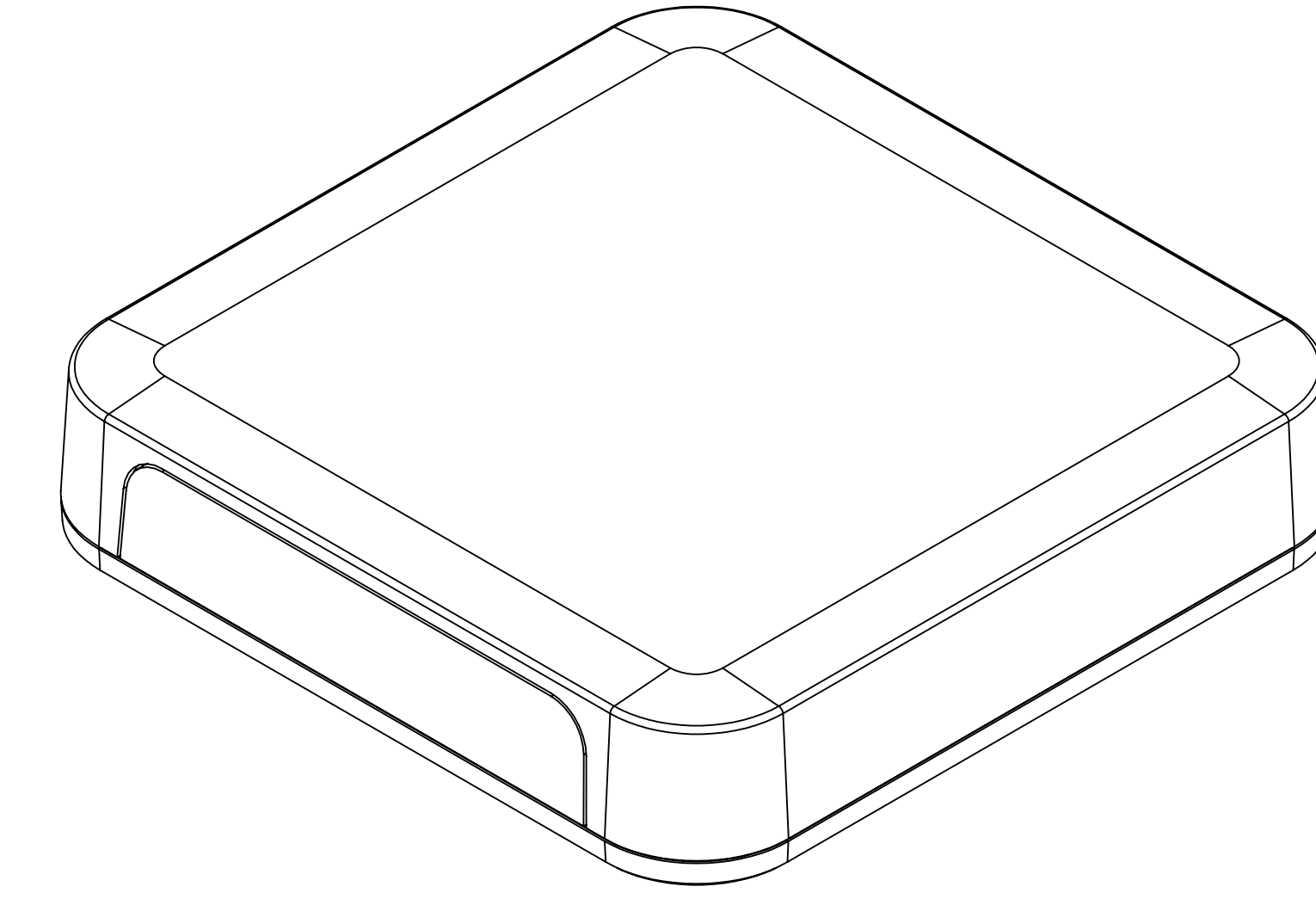
SURFACE-16



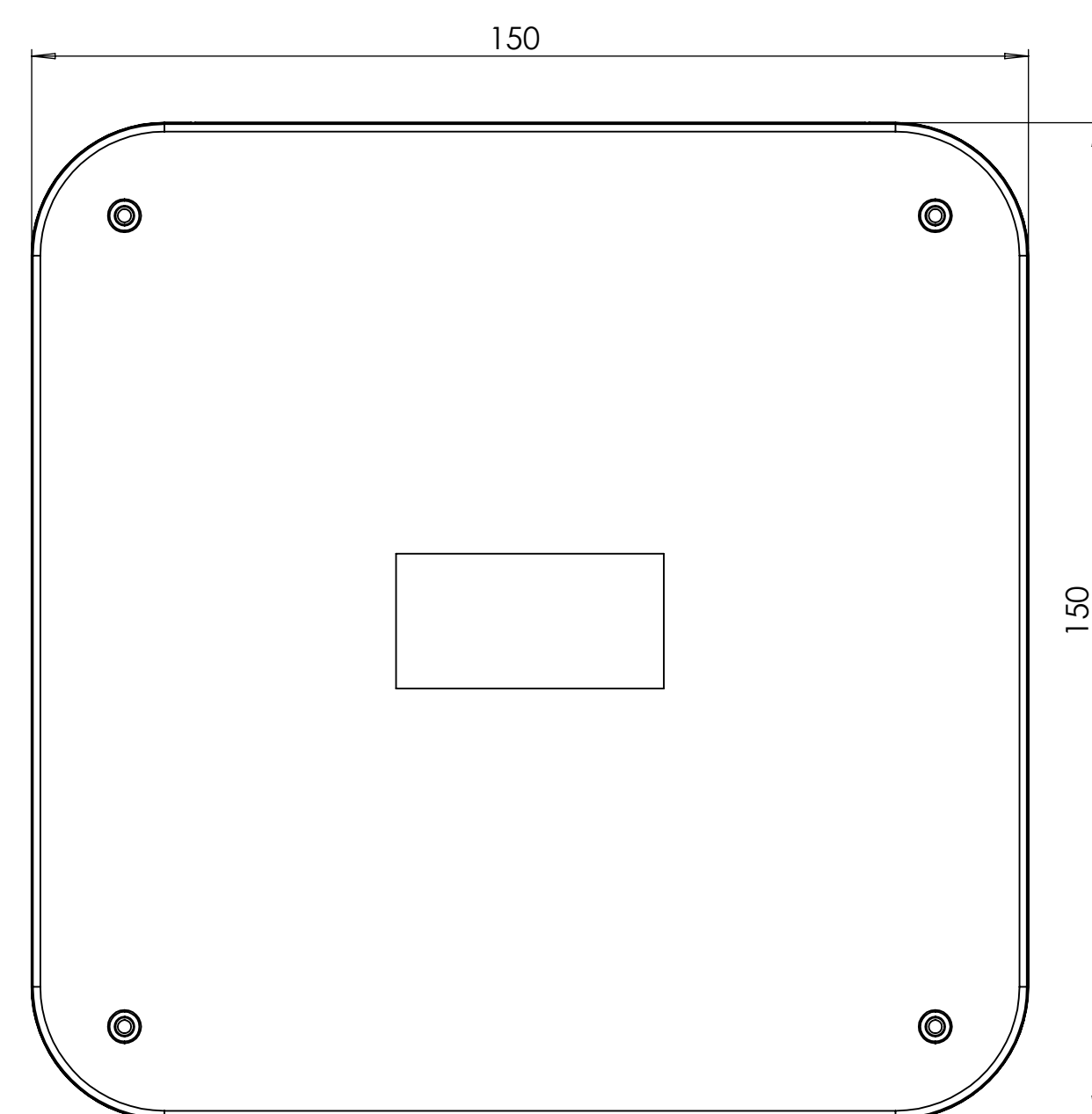
SURFACE-18



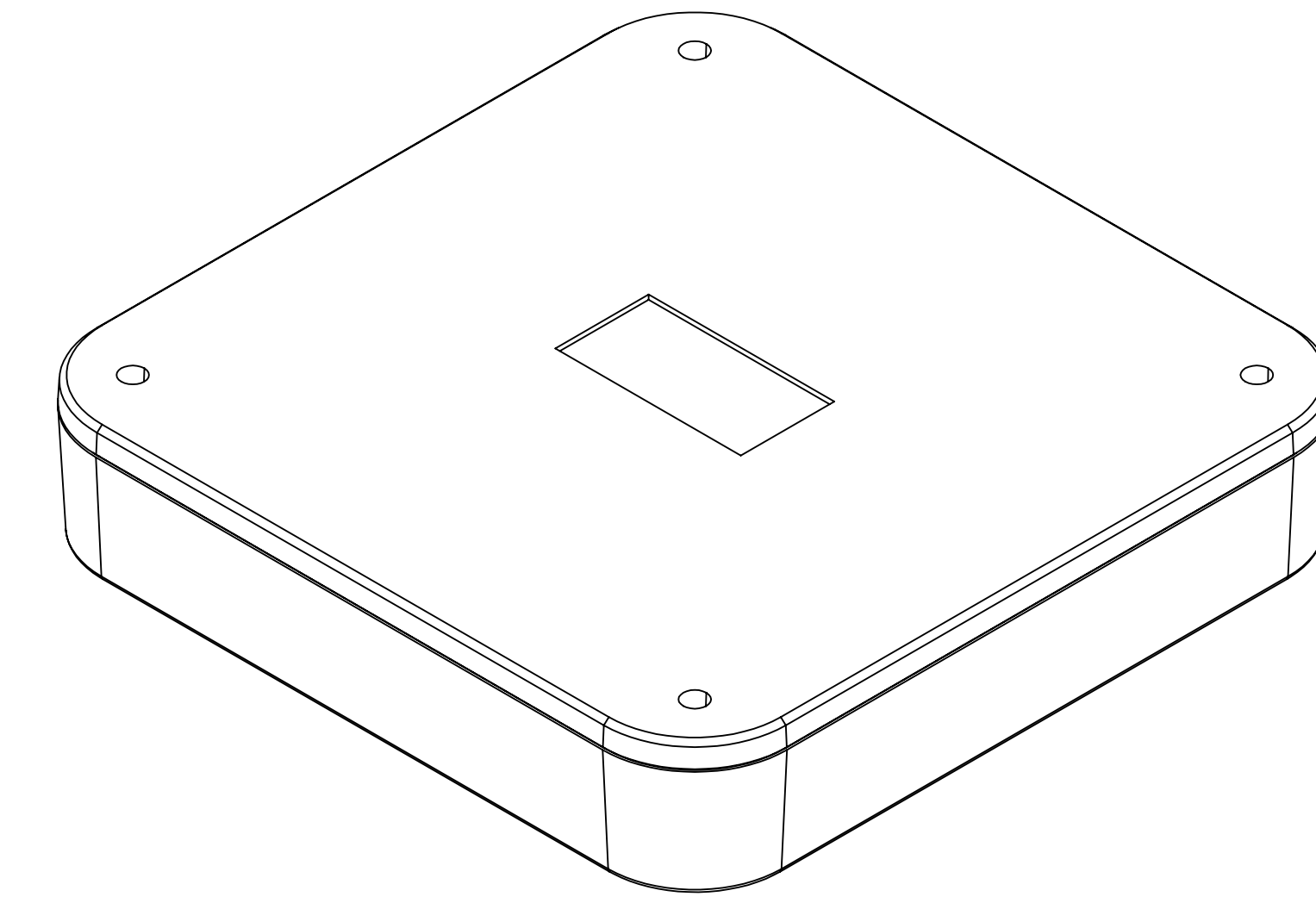
SURFACE-17




SURFACE-19



SURFACE-20



REV. NO	DATE	REVISED BY	DESCRIPTION OF CHANGE	
 ALTINKAYA Electronic Enclosures & Components			www.altinkaya.com	
Customer Name:		Customer Ref.:		
Altinkaya Ref.:		Part Name: HH-1515		
DRAWN	NAME	DATE	Drawn From:	SCALE 1:1
CHECKED	Y.YEL	25.09.2024	Weight:	SHEET 2 OF 2
DIMENSIONAL TOLERANCES UNLESS OTHERWISE SPECIFIED (DIN7168)		0.5-3mm	3-6mm	6-30mm
		±0.1	±0.1	±0.2
			±0.3	±0.5
				Dimension (mm)
				m (Medium)
				UNIT: mm
				A0