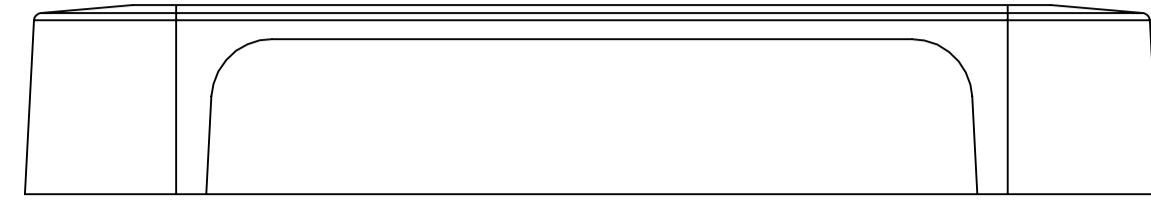
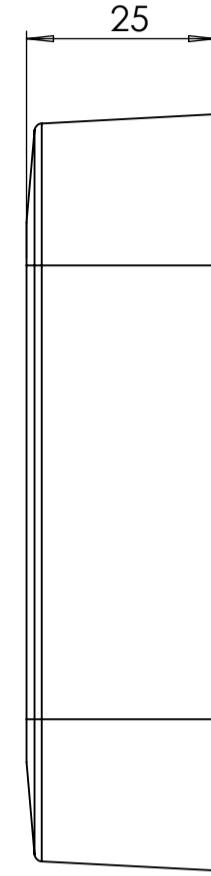


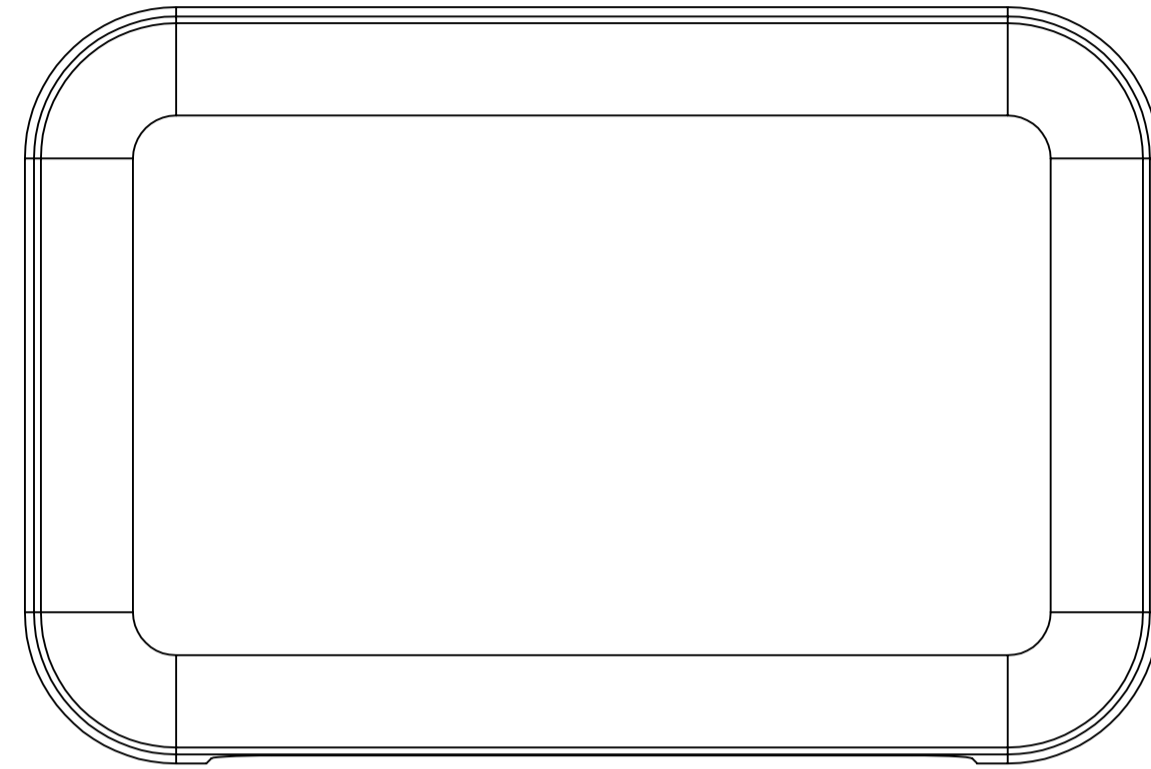
# BASE: 6 SURFACE



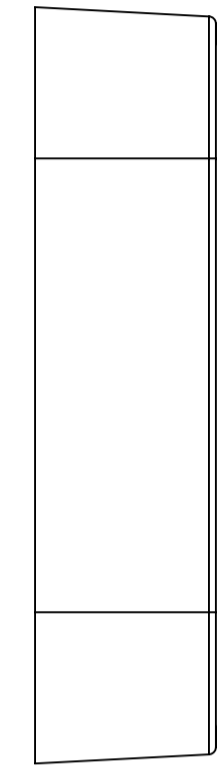
SURFACE-1



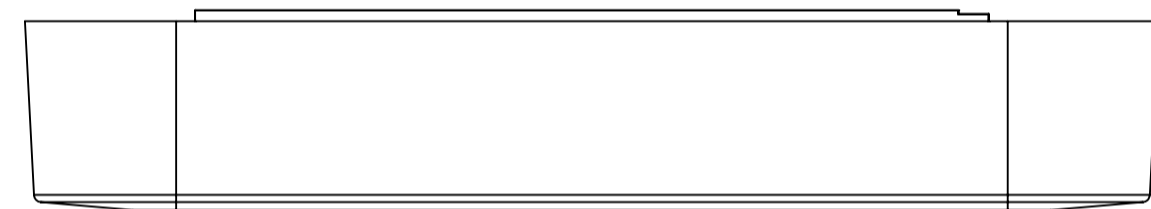
SURFACE-3



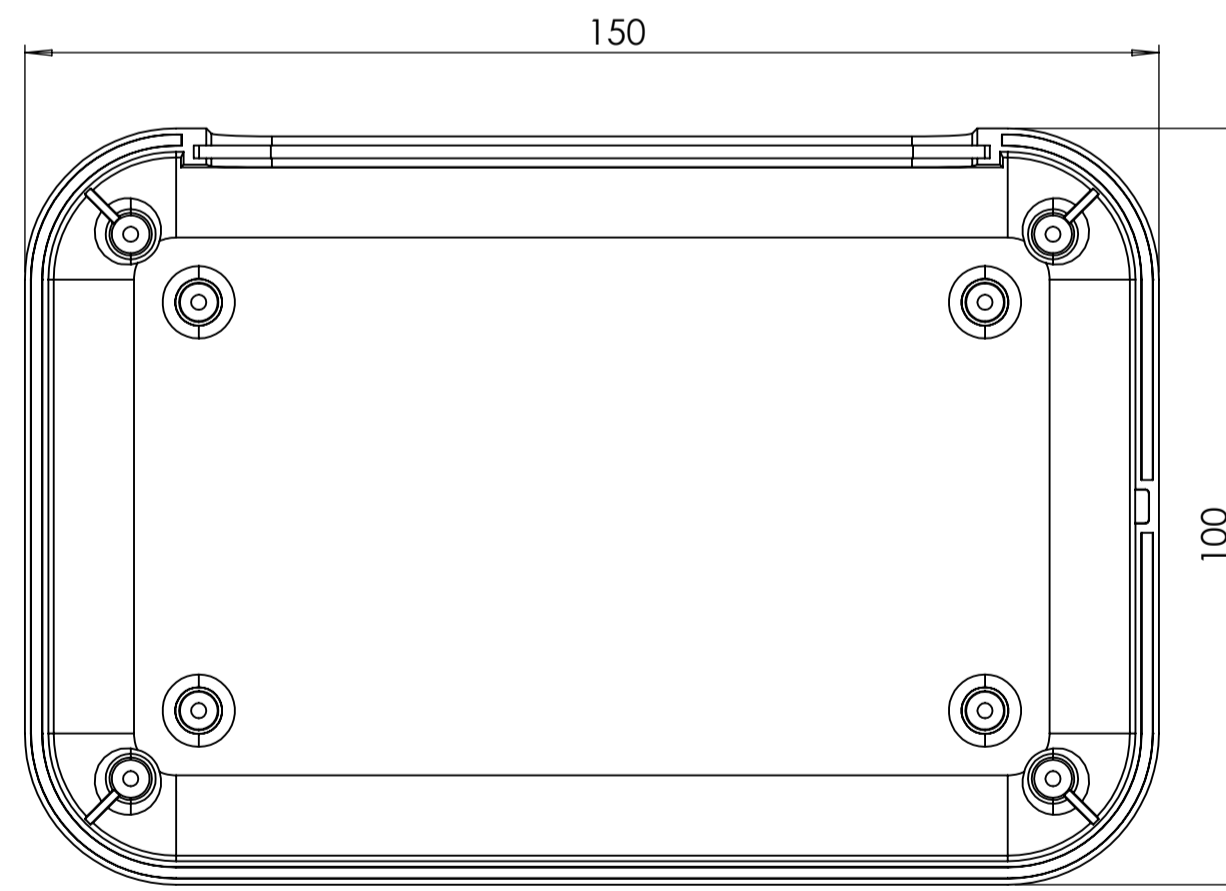
SURFACE-5



SURFACE-4

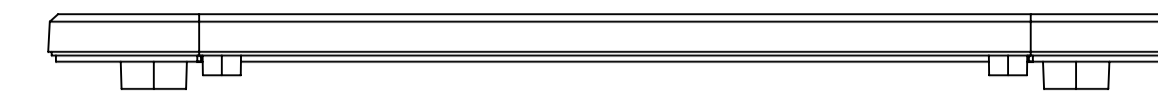


SURFACE-2

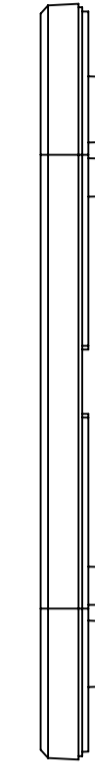


SURFACE-6 (INSIDE)

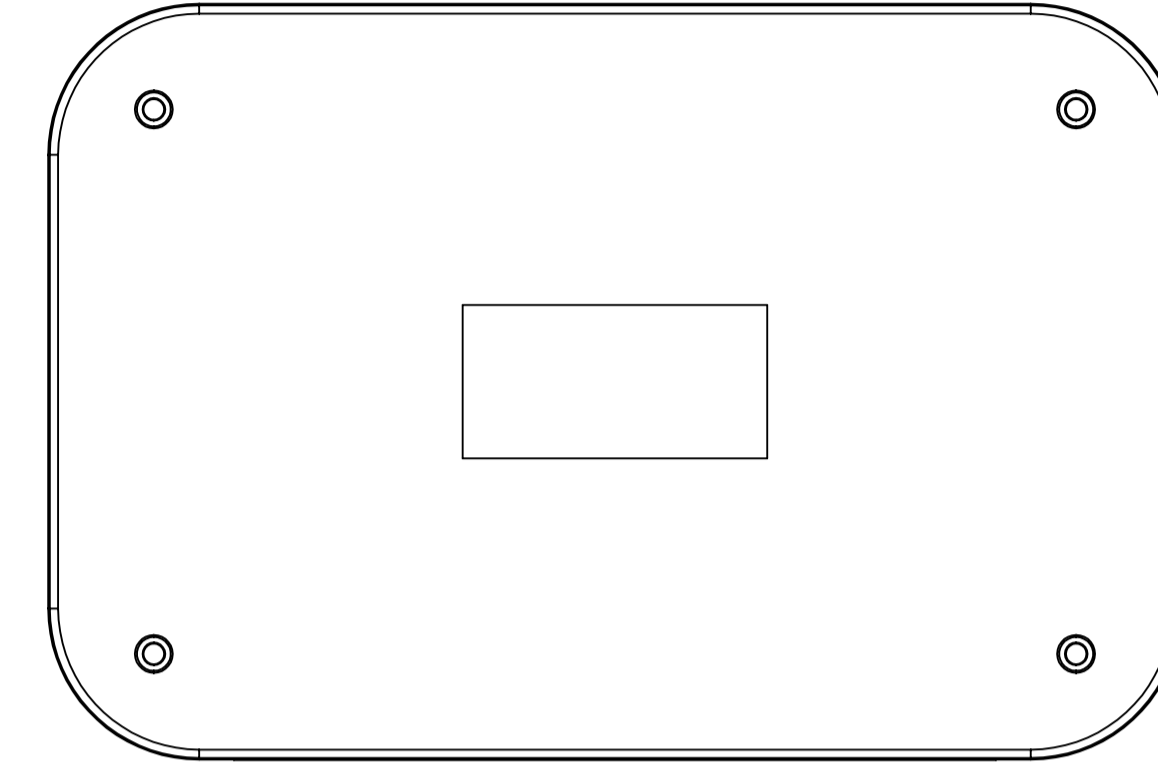
# COVER: 6 SURFACE



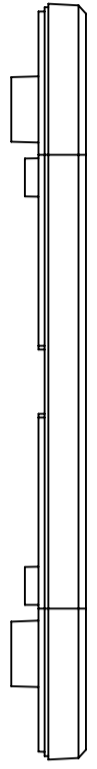
SURFACE-7



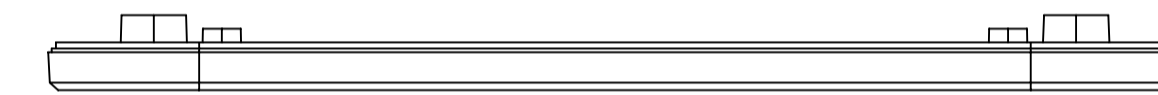
SURFACE-9



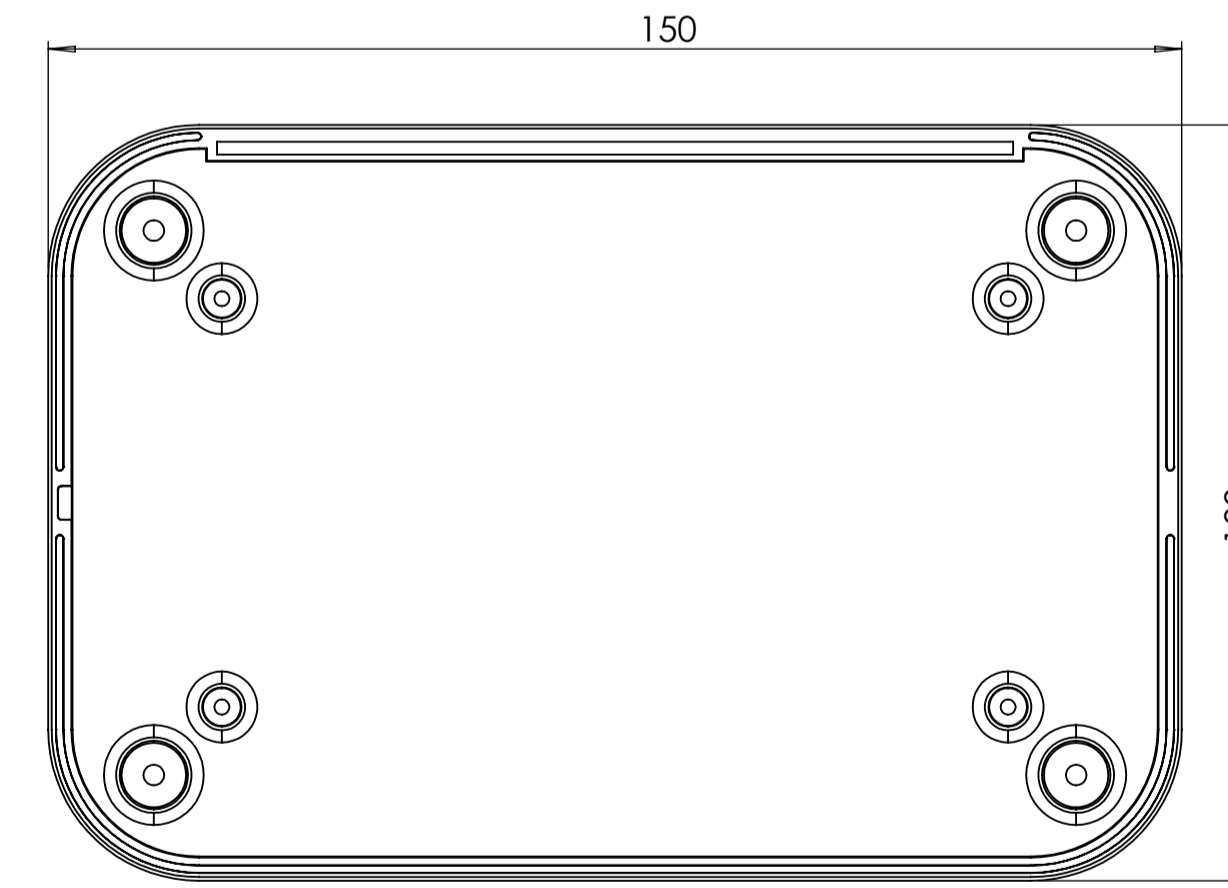
SURFACE-11



SURFACE-10

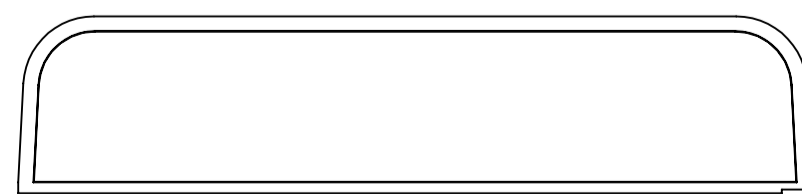


SURFACE-8

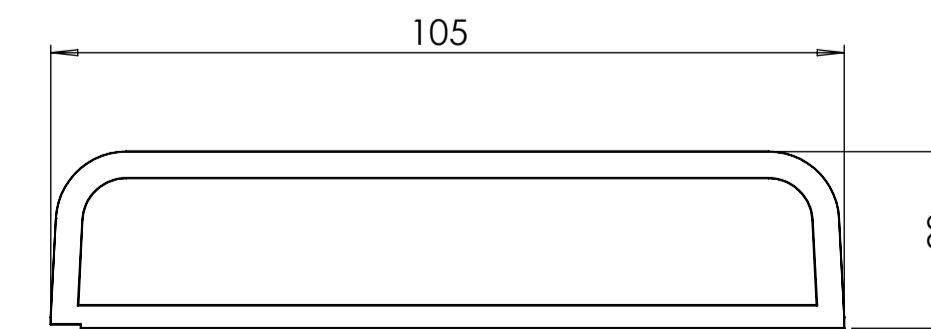
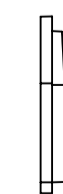


SURFACE-12 (INSIDE)

# PANEL: 2 SURFACE



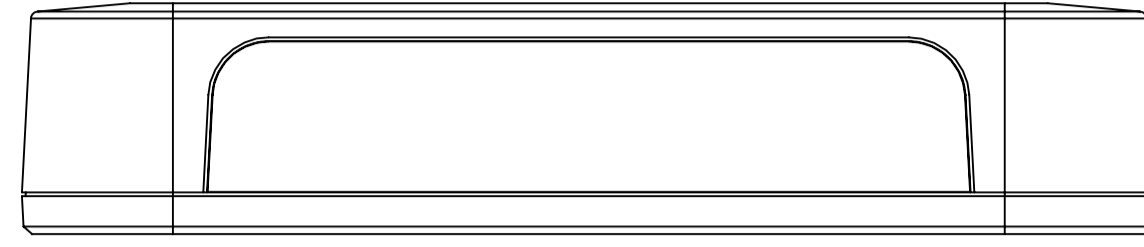
SURFACE-13



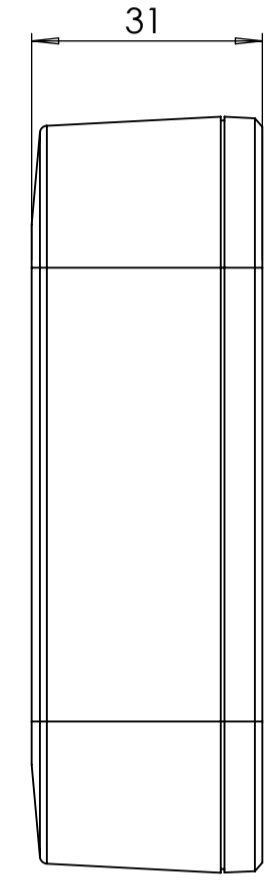
SURFACE-14 (INSIDE)

| REV. NO.   | DATE       | REVISED BY            | DESCRIPTION OF CHANGE |
|--|------------|-----------------------|-----------------------|
| <b>ALTINKAYA</b><br>Electronic Enclosures & Components<br><a href="http://www.altinkaya.com">www.altinkaya.com</a> |            |                       |                       |
| Customer Name:   |            | Customer Ref.:        |                       |
| Altinkaya Ref.:  |            | Part Name: HH-1510-00 |                       |
| DRAWN  | S. YESILOZ | DATE                  | 24.09.2024            |
| CHECKED  | Y. YEL     | DATE                  | 24.09.2024            |
| DIMENSIONAL TOLERANCES UNLESS OTHERWISE SPECIFIED:   |            | SCALE 1:1   UNIT : mm |                       |
| (mm)   | ±0.1       | 3-6mm                 | ±0.1                  |
| (mm)   | ±0.1       | 6-30mm                | ±0.2                  |
| (mm)   | ±0.1       | 30-120mm              | ±0.3                  |
| (mm)   | ±0.1       | 120-400mm             | ±0.5                  |
| SHEET 1 OF 2   |            |                       | A1                    |

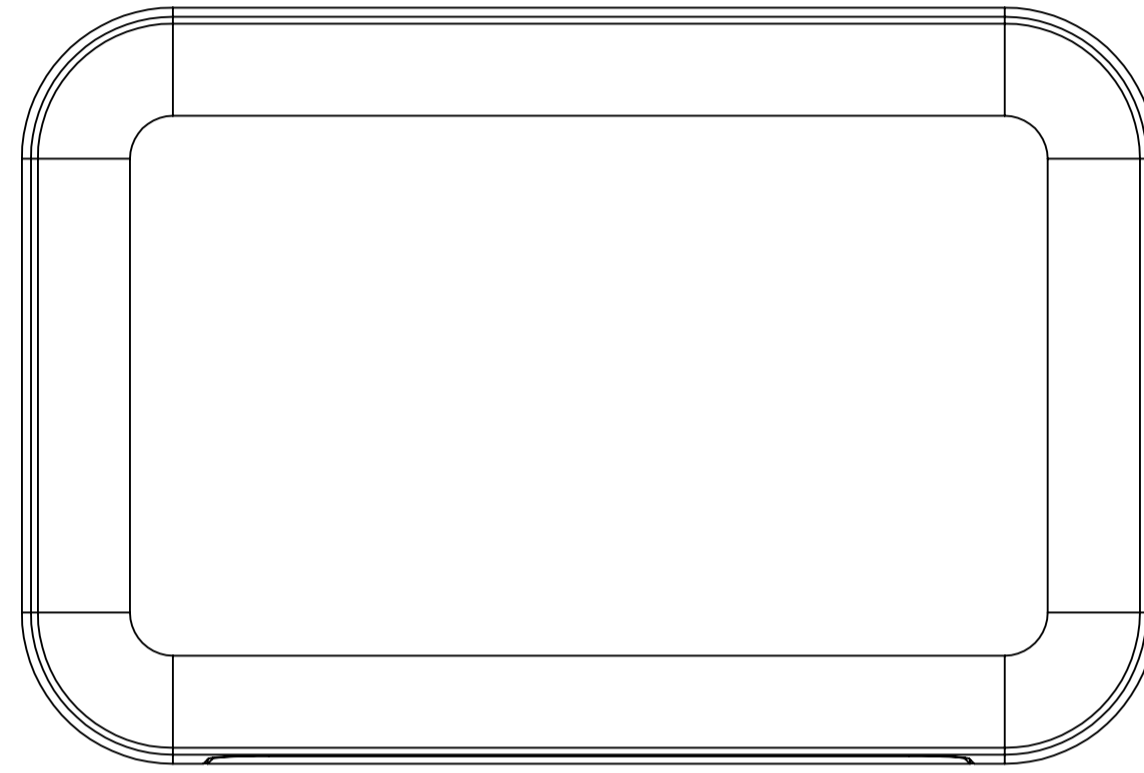
# HH-1510 IF MACHINED TOGETHER



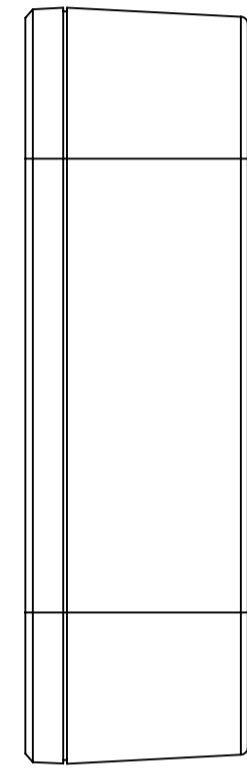
SURFACE-15



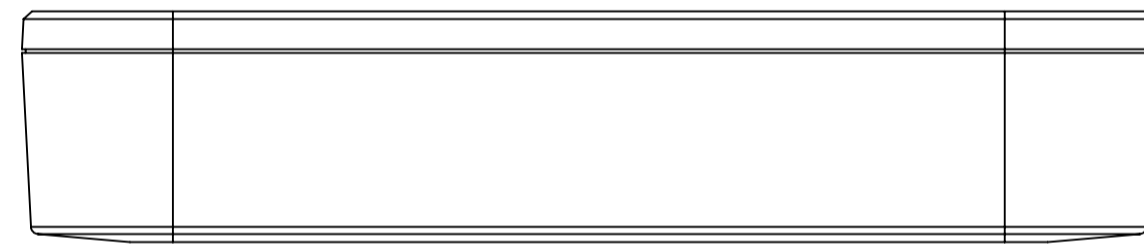
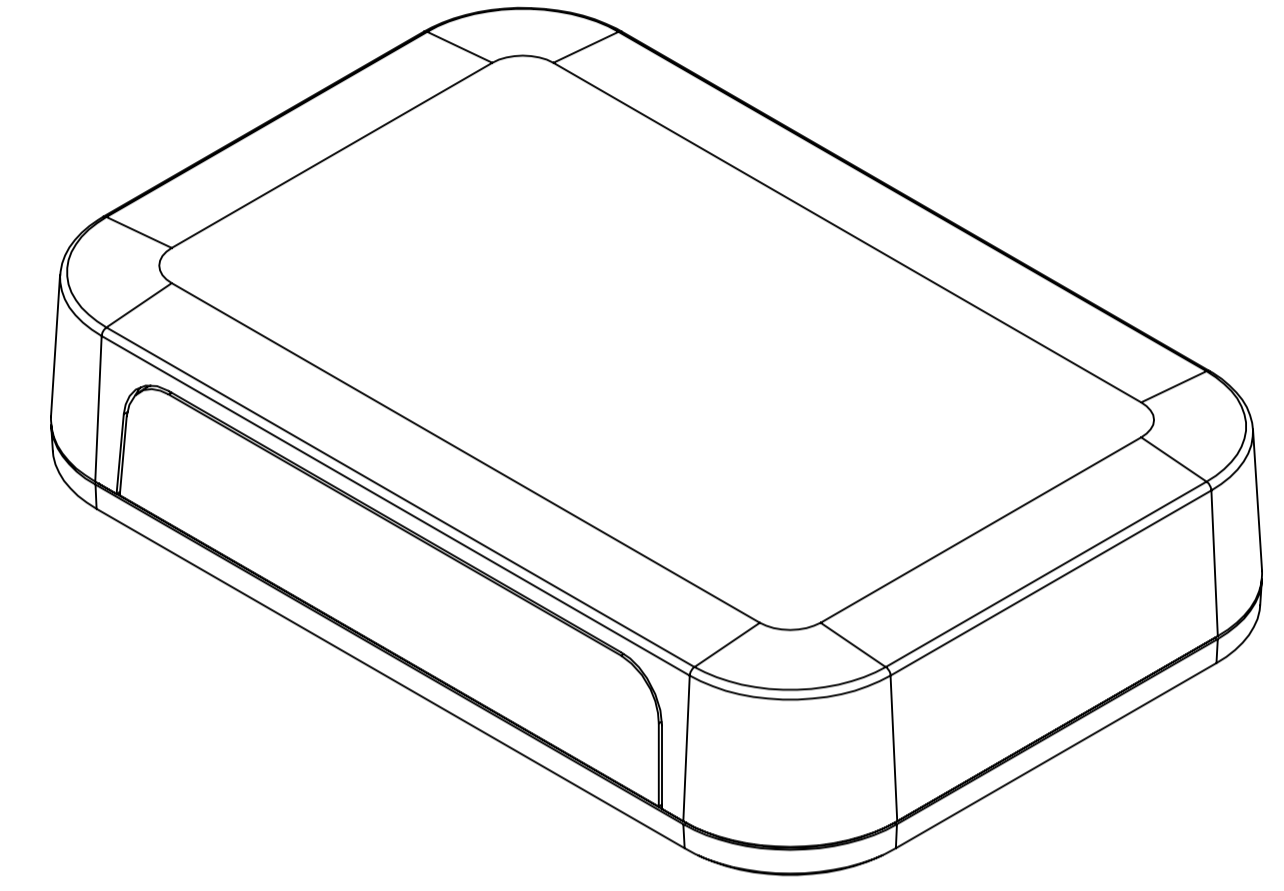
SURFACE-17



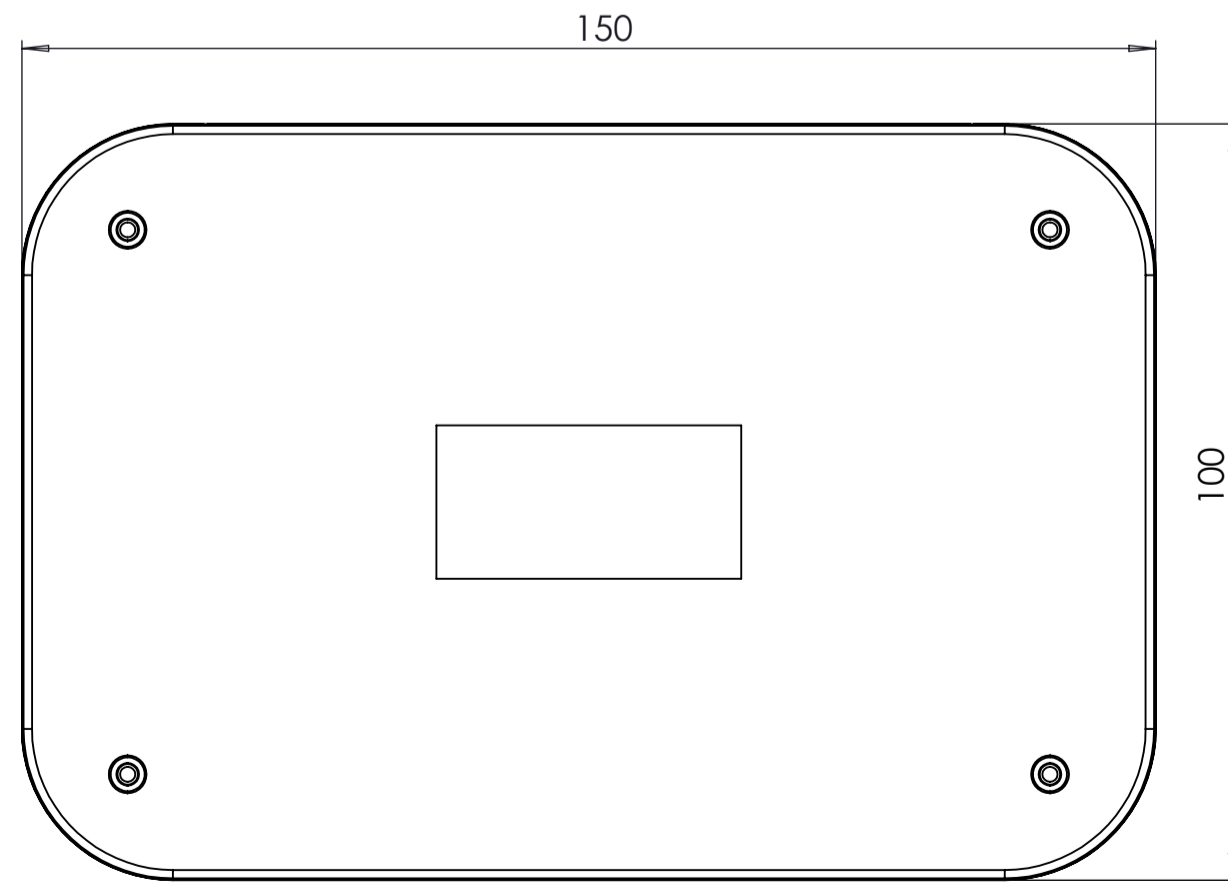
SURFACE-19



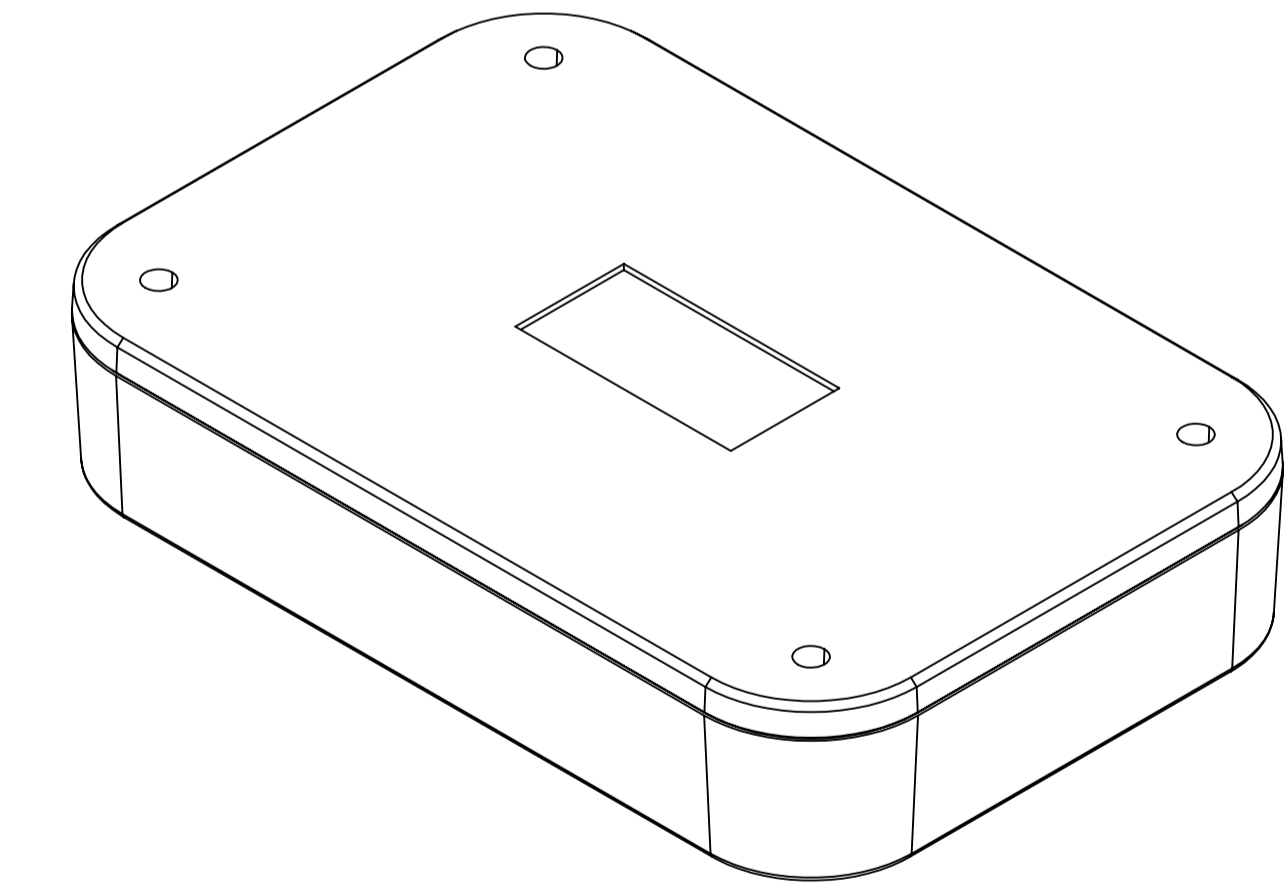
SURFACE-18



SURFACE-16



SURFACE-20



| REV. NO.   | DATE  | REVISED BY            | DESCRIPTION OF CHANGE                                    |
|--|-------|-----------------------|--|
|  <b>ALTINKAYA</b><br>Electronic Enclosures & Components |       |                       | <a href="http://www.altinkaya.com">www.altinkaya.com</a> |
| Customer Name:   |       | Customer Ref.:        |  |
| Altinkaya Ref.:  |       | Part Name: HH-1510-00 |  |
| DRAWN  | NAME  | DATE                  | Drawn From:  |
| CHECKED  | Y.YEL | 24.09.2024            | Material:  |
| DIMENSIONAL TOLERANCES UNLESS OTHERWISE SPECIFIED:   |       | Weight:               | SCALE 1:1 UNIT : mm                                      |
| (mm)   | ±0.1  | ±0.1                  | ±0.2   |
|  | ±0.1  | ±0.2                  | ±0.3   |
|  |       | ±0.5                  |  |
| Dimension(mm)  |       |                       | Dimension(mm)  |
| 30-120mm   |       |                       | 120-400mm  |
| m(medium)  |       |                       | m(medium)  |
| SHEET 2 OF 2   |       |                       | A1   |