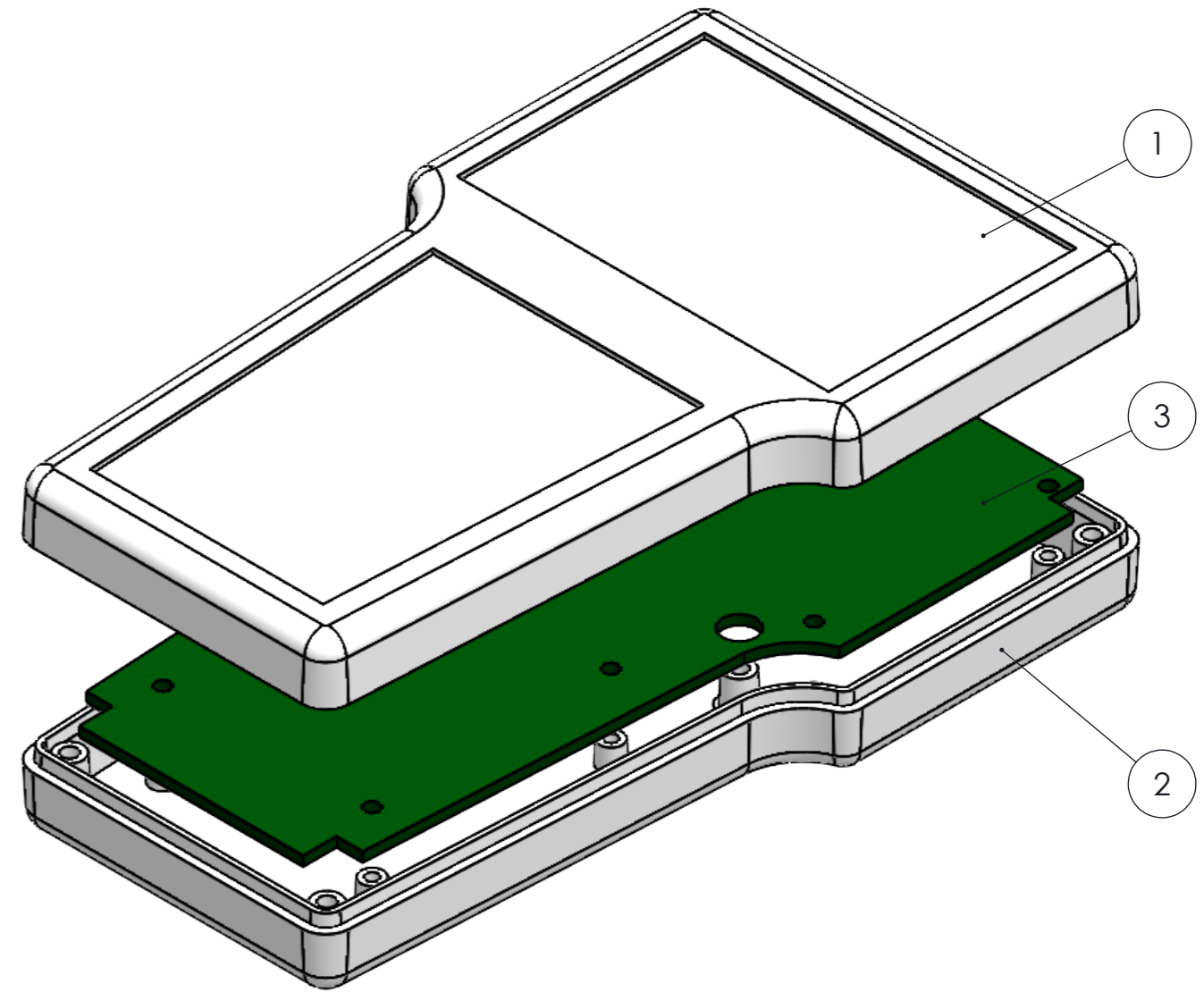


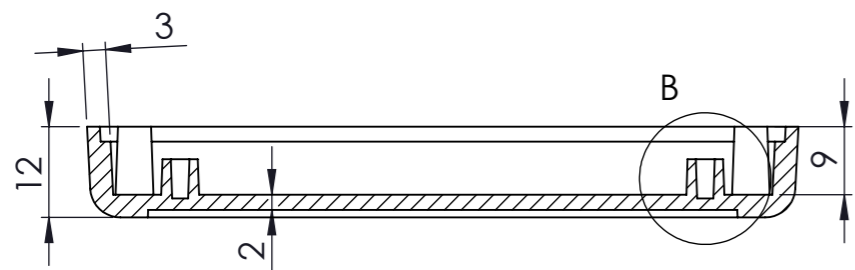
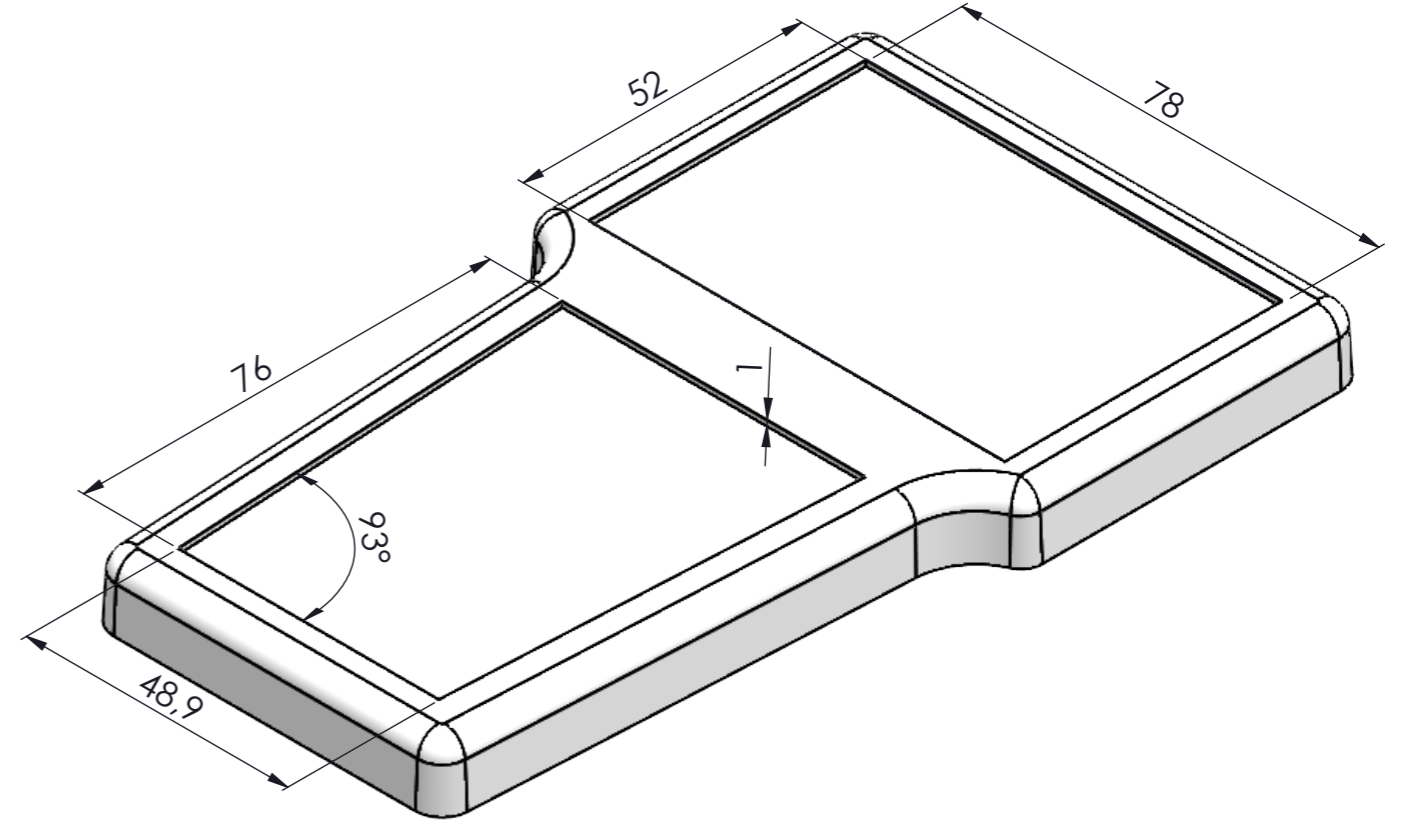
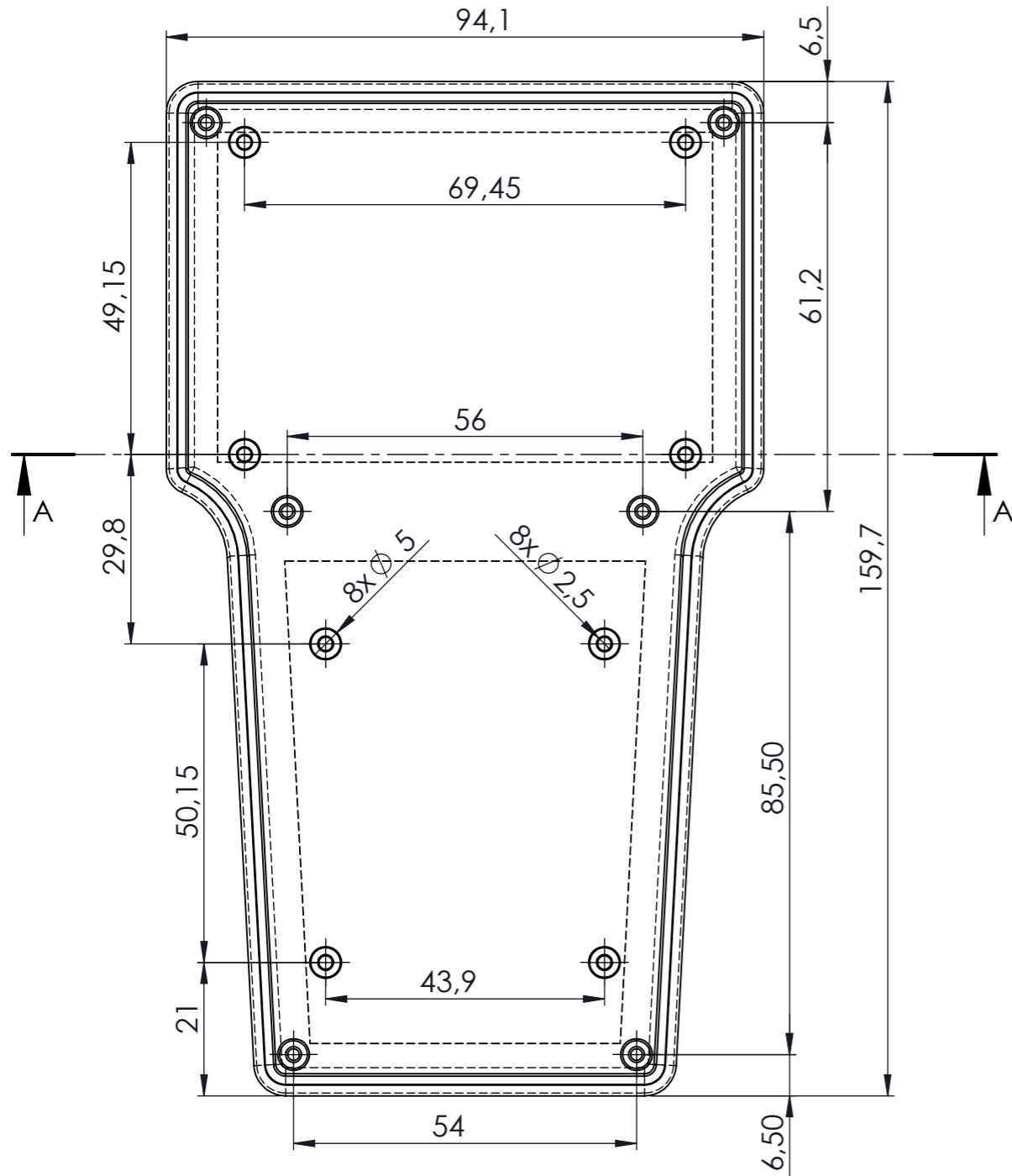


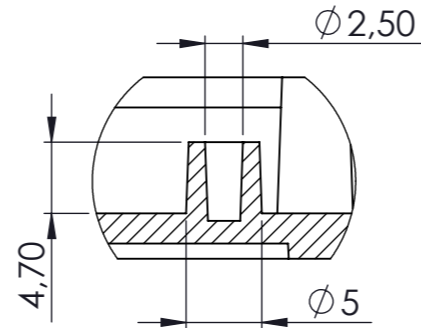
KESIT A-A



<small>PROPRIETARY AND CONFIDENTIAL THE INFORMATION CONTAINED IN THIS DRAWING IS THE SOLE PROPERTY OF ALTINKAYA ENCLOSURES. ANY REPRODUCTION IN PART OR AS A WHOLE WITHOUT THE WRITTEN PERMISSION OF ALTINKAYA ENCLOSURES IS PROHIBITED.</small>			ARTICLE NO:	REVISION:
<small>DRAWN</small> Dursun DAŞDEMİR				CONTACT: www.altinkaya.com.tr
<small>CHECKED</small> Ali Altınışık				TITLE:
<small>COMMENTS:</small> 			DWG NO.	assembly
<small>MATERIAL:</small> 			SCALE:1:1	A3
<small>WEIGHT:</small> 			SHEET 1 OF 1	

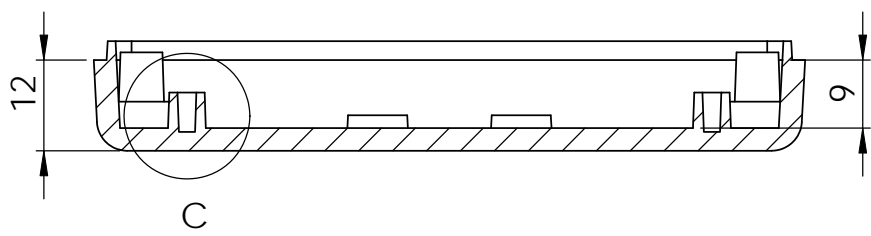
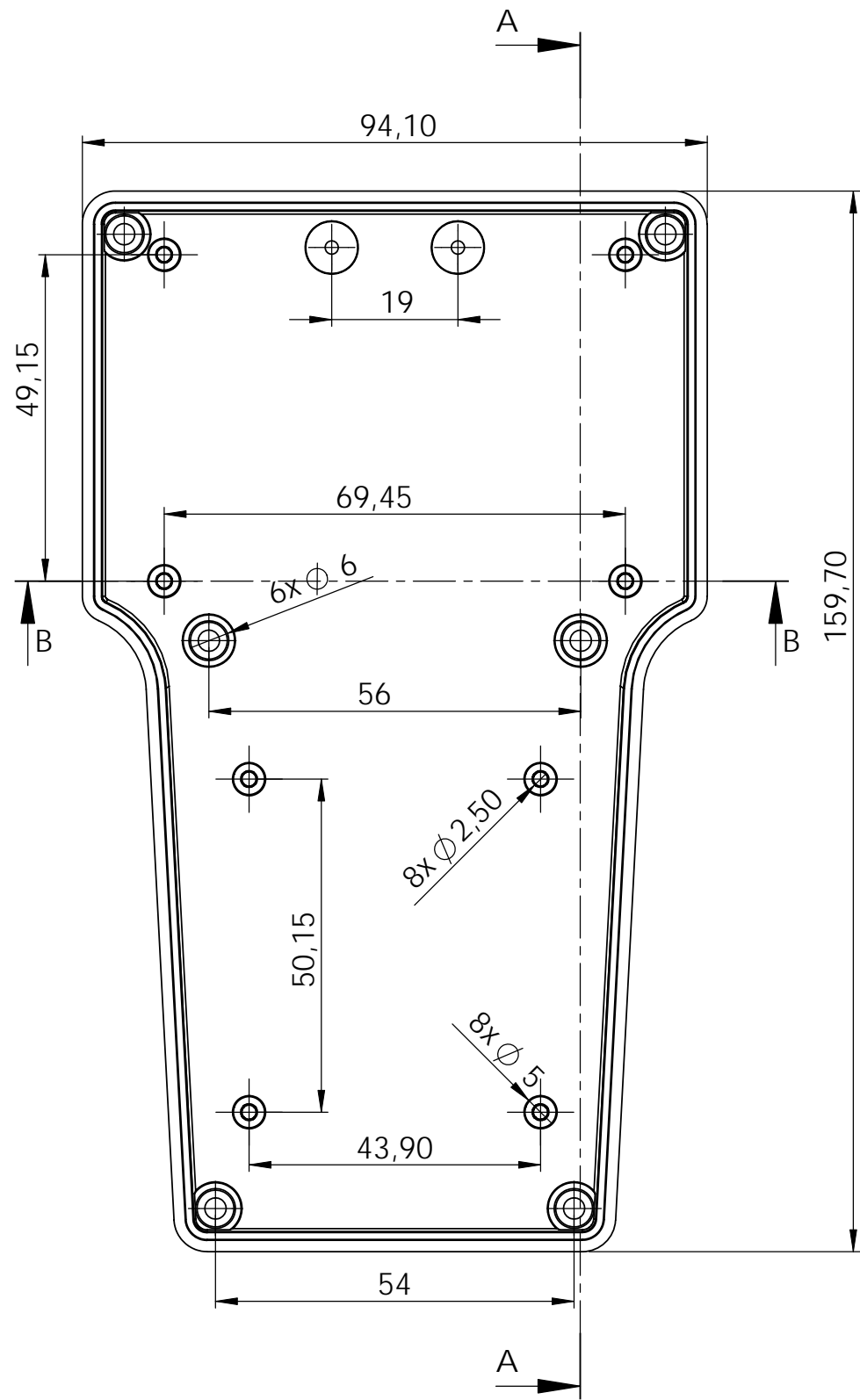


KESIT A-A

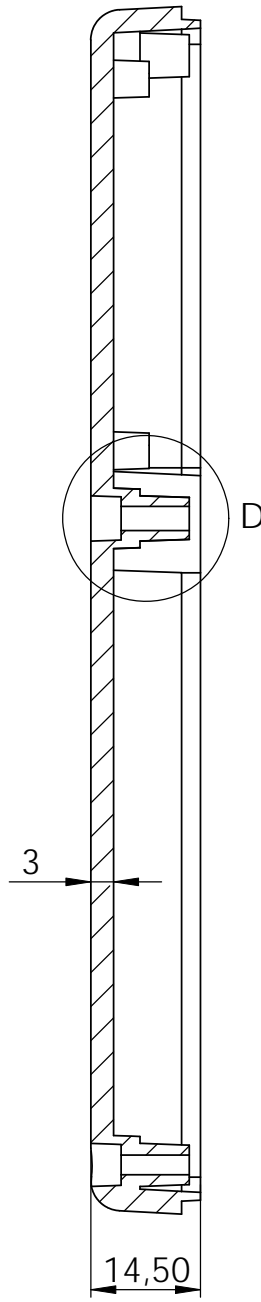


DETAY B
ÖLÇEK 2 : 1

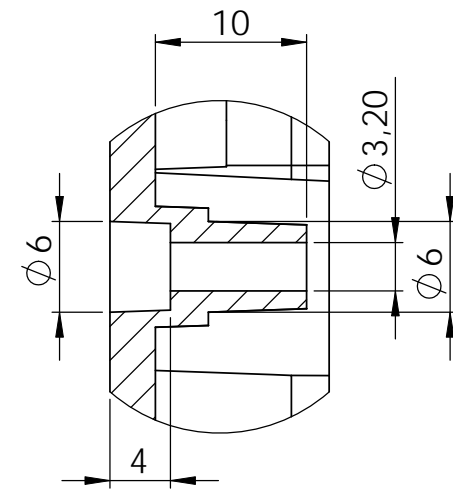
PROPRIETARY AND CONFIDENTIAL THE INFORMATION CONTAINED IN THIS DRAWING IS THE SOLE PROPERTY OF ALTINKAYA ENCLOSURES. ANY REPRODUCTION IN PART OR AS A WHOLE WITHOUT THE WRITTEN PERMISSION OF ALTINKAYA ENCLOSURES IS PROHIBITED.		ARTICLE NO:	REVISION:
DRAWN Dursun DAŞDEMİR		DATE:	CONTACT: www.altinkaya.com.tr
CHECKED Ali Altınışık		TITLE:	
COMMENTS:		DWG NO. ust_kapak	
MATERIAL:		A3	
WEIGHT:		SCALE:1:1	SHEET 1 OF 1



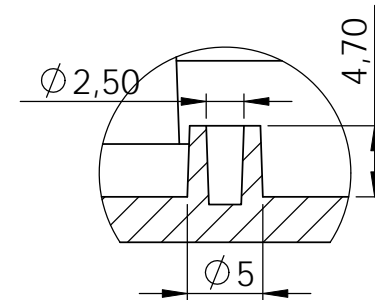
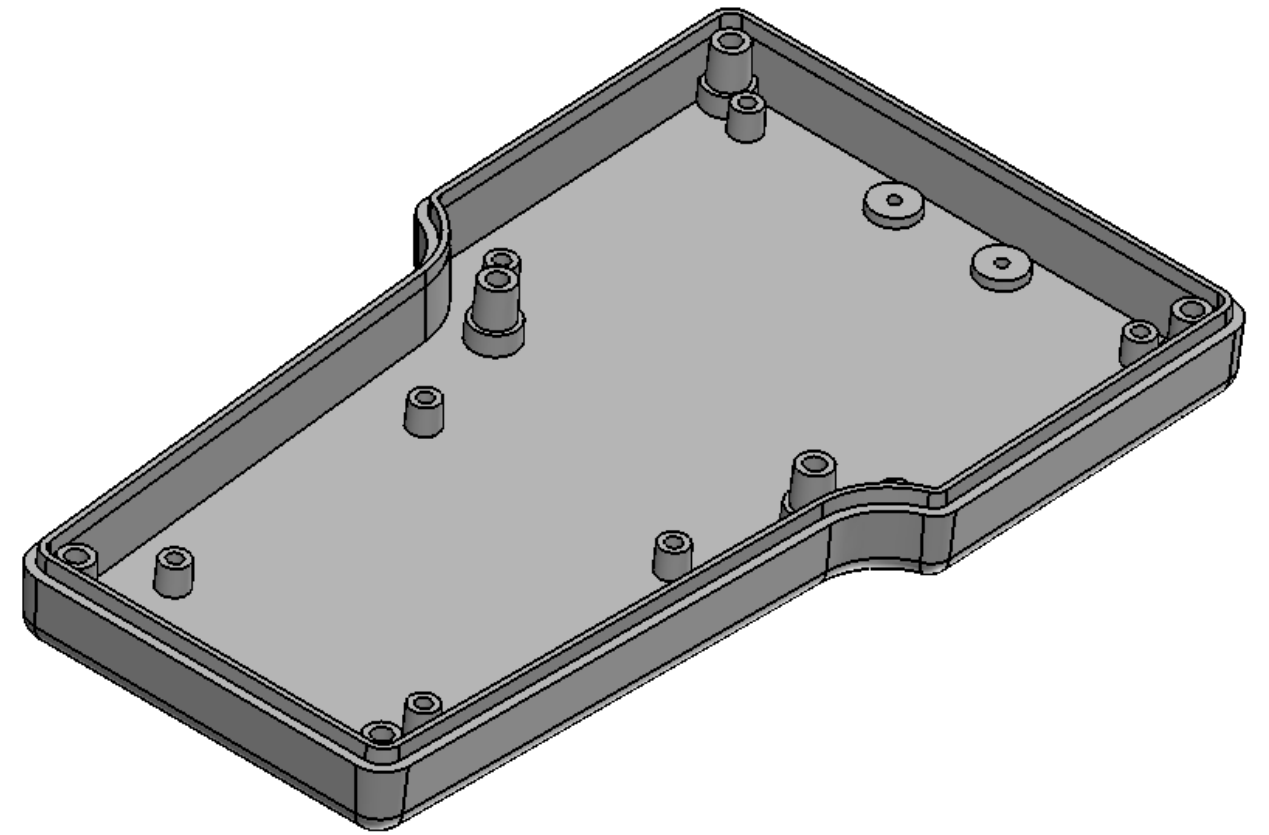
KESIT B-B




KESIT A-A

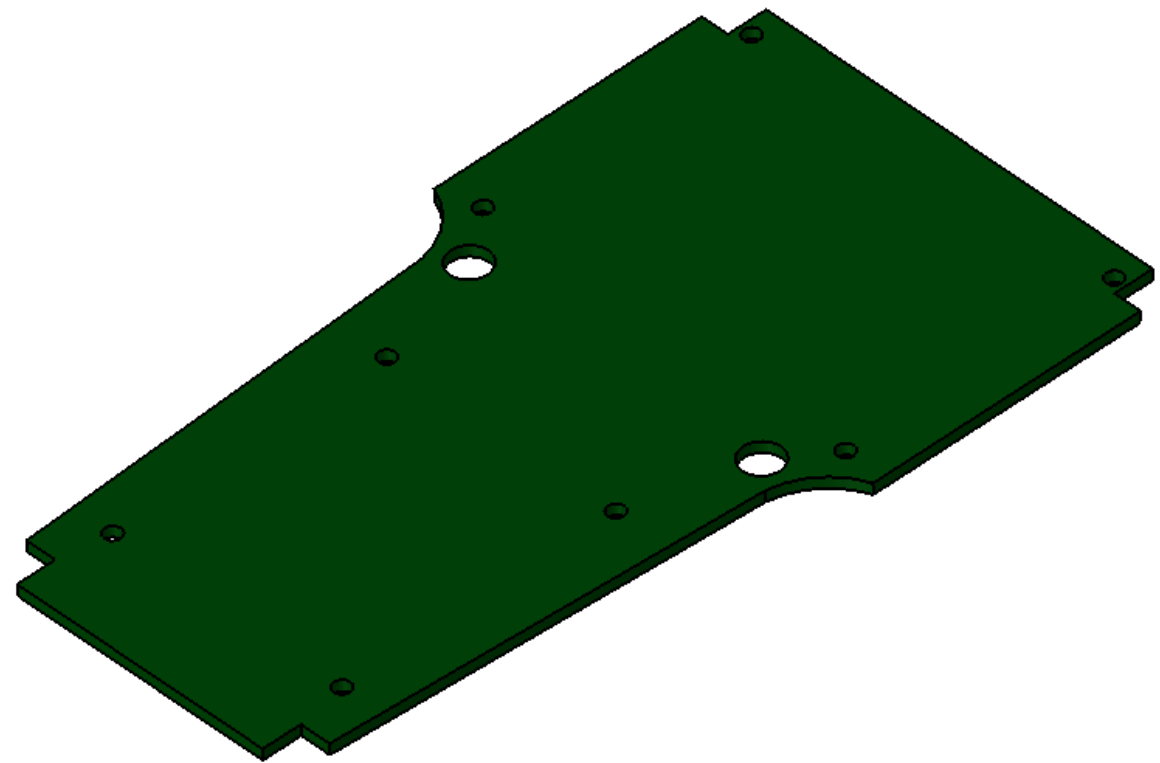
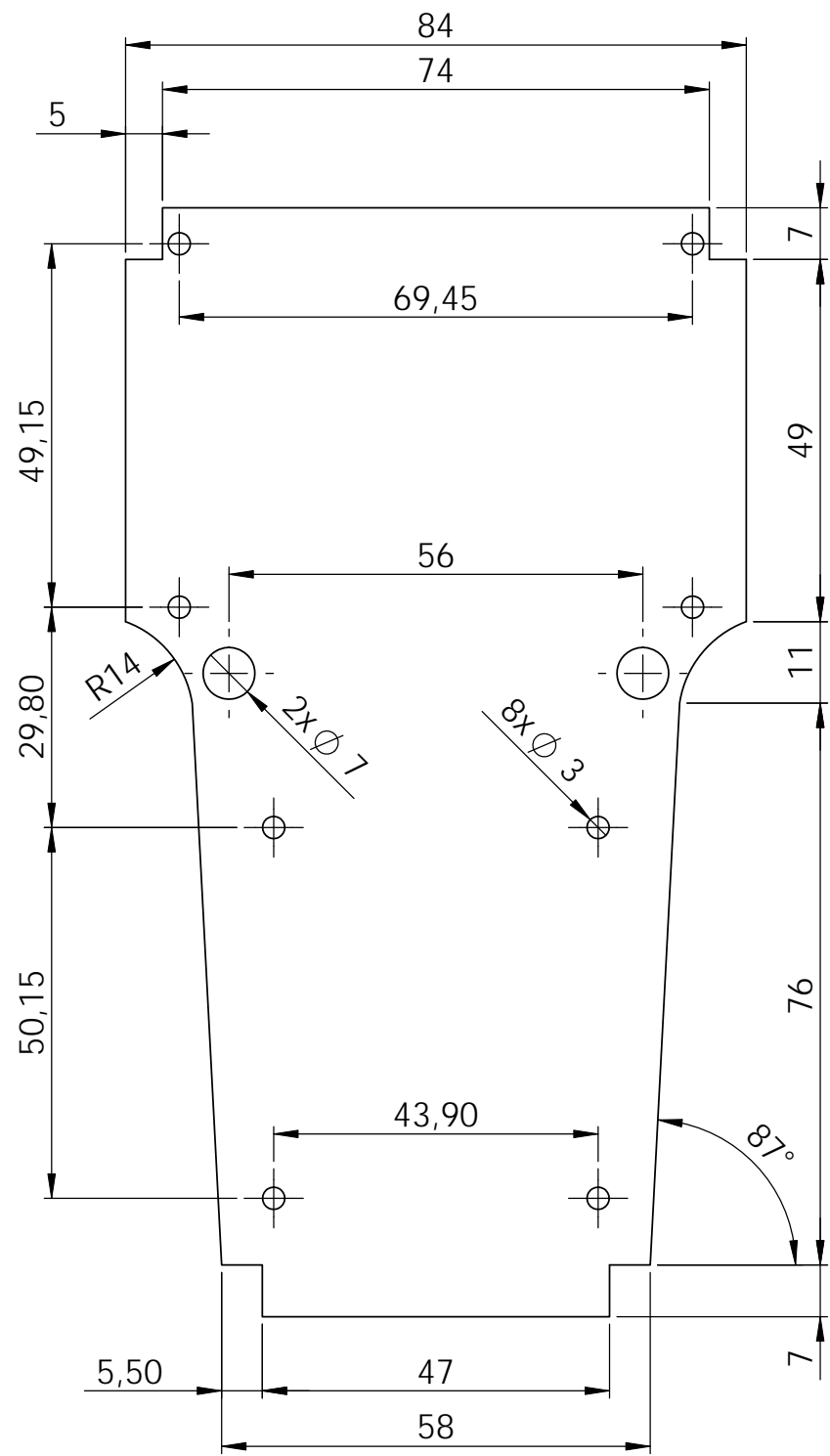



DETAY D
ÖLÇEK 2 : 1



DETAY C
ÖLÇEK 2 : 1

<small>PROPRIETARY AND CONFIDENTIAL. THE INFORMATION CONTAINED IN THIS DRAWING IS THE SOLE PROPERTY OF ALTINKAYA ENCLOSURES. ANY REPRODUCTION IN PART OR AS A WHOLE WITHOUT THE WRITTEN PERMISSION OF ALTINKAYA ENCLOSURES IS PROHIBITED.</small>		ARTICLE NO:	REVISION:
<small>DRAWN Dursun DAŞDEMİR</small>			<small>CONTACT: www.altinkaya.com.tr</small>
<small>CHECKED Ali Altınışık</small>		TITLE:	
COMMENTS:		DWG NO. taban	
MATERIAL:		A3	
WEIGHT:		SCALE:1:1	SHEET 1 OF 1



<small>PROPRIETARY AND CONFIDENTIAL THE INFORMATION CONTAINED IN THIS DRAWING IS THE SOLE PROPERTY OF ALTINKAYA ENCLOSURES. ANY REPRODUCTION IN PART OR AS A WHOLE WITHOUT THE WRITTEN PERMISSION OF ALTINKAYA ENCLOSURES IS PROHIBITED.</small>			ARTICLE NO:	REVISION:
<small>DRAWN</small> Dursun DAŞDEMİR			 ALTINKAYA ENCLOSURES FOR ELECTRONICS	CONTACT: www.altinkaya.com.tr
<small>CHECKED</small> Ali Altınışık				TITLE:
COMMENTS:			DWG NO:	pcb
MATERIAL:			SCALE:1:1	A3
WEIGHT:			SHEET 1 OF 1	