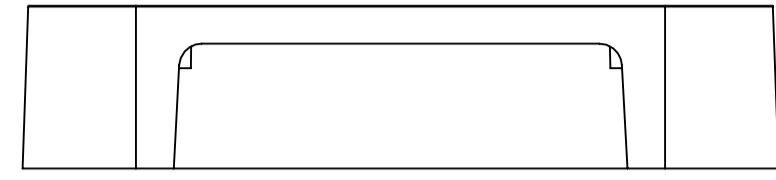


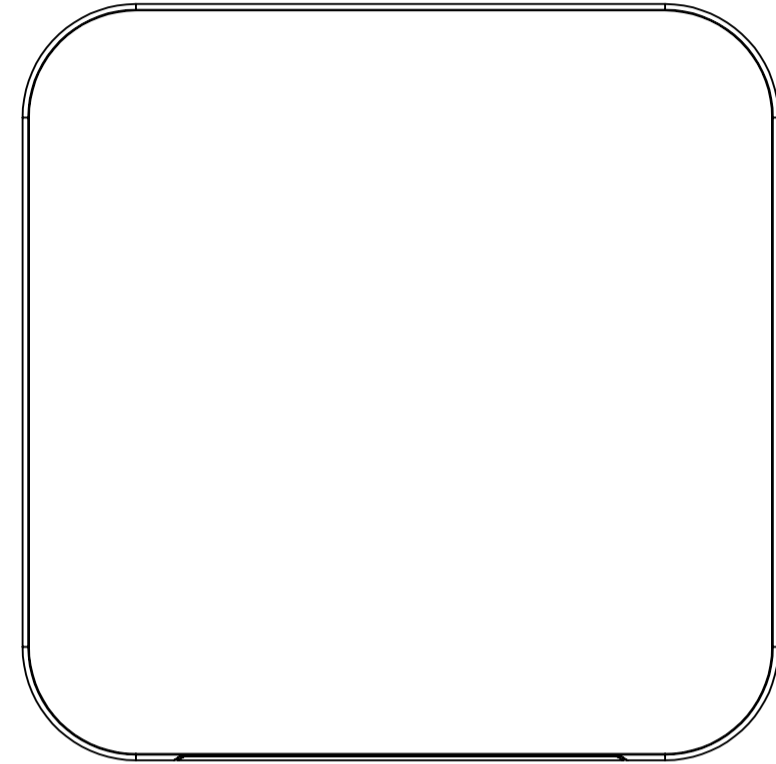
BASE: 6 SURFACE



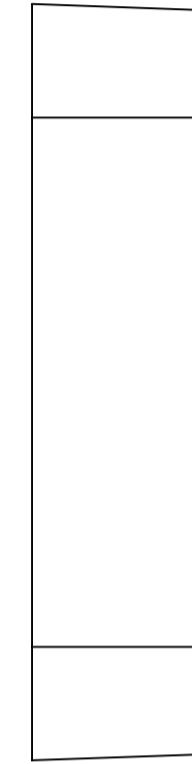
SURFACE-1



SURFACE-3



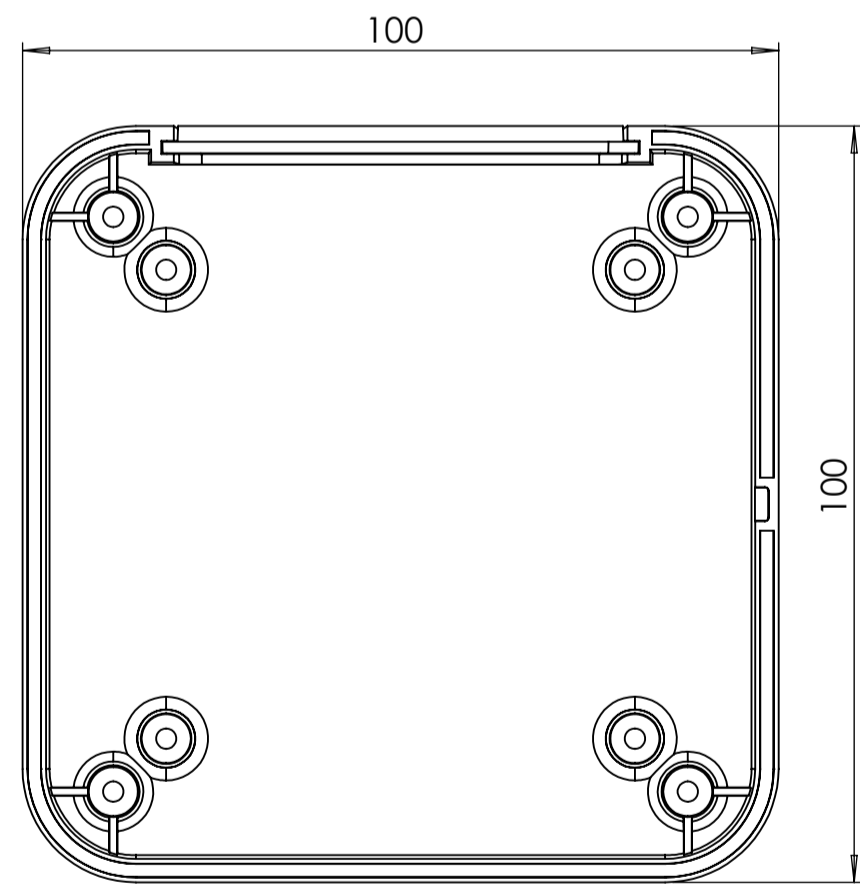
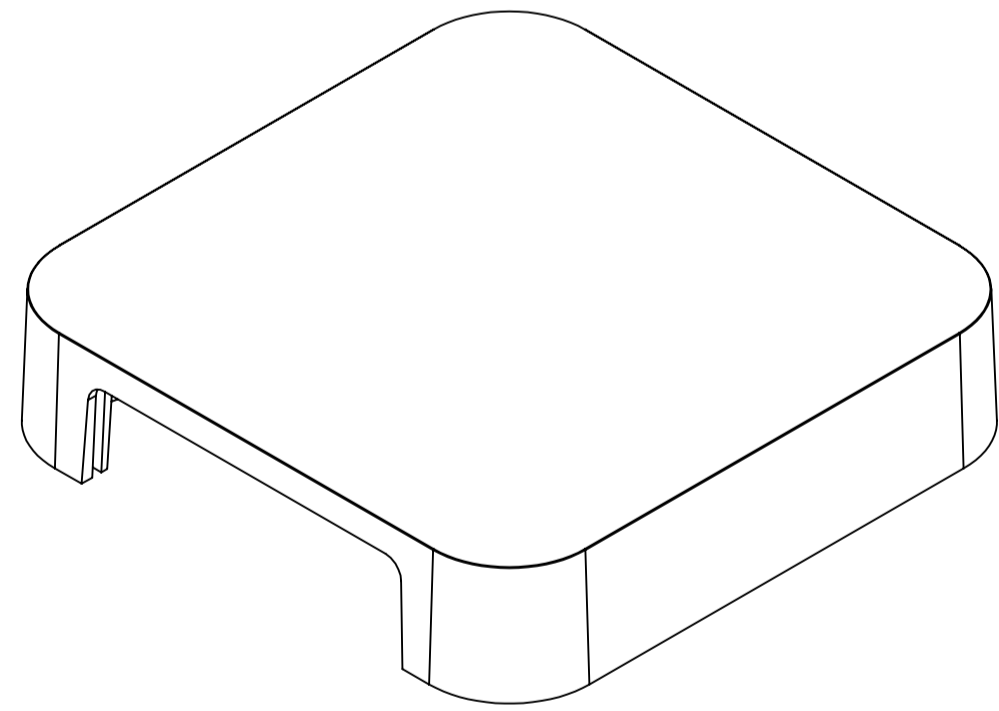
SURFACE-5



SURFACE-4

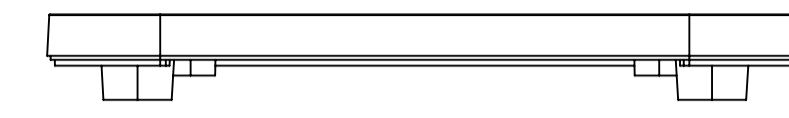


SURFACE-2

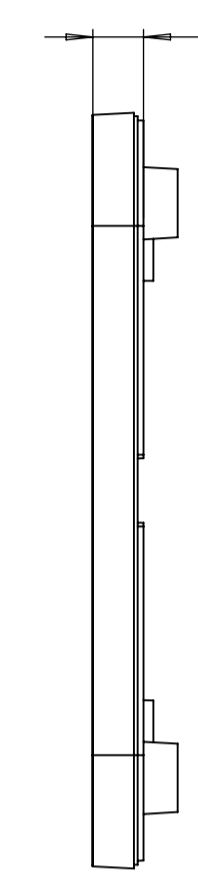


SURFACE-6 (INSIDE)

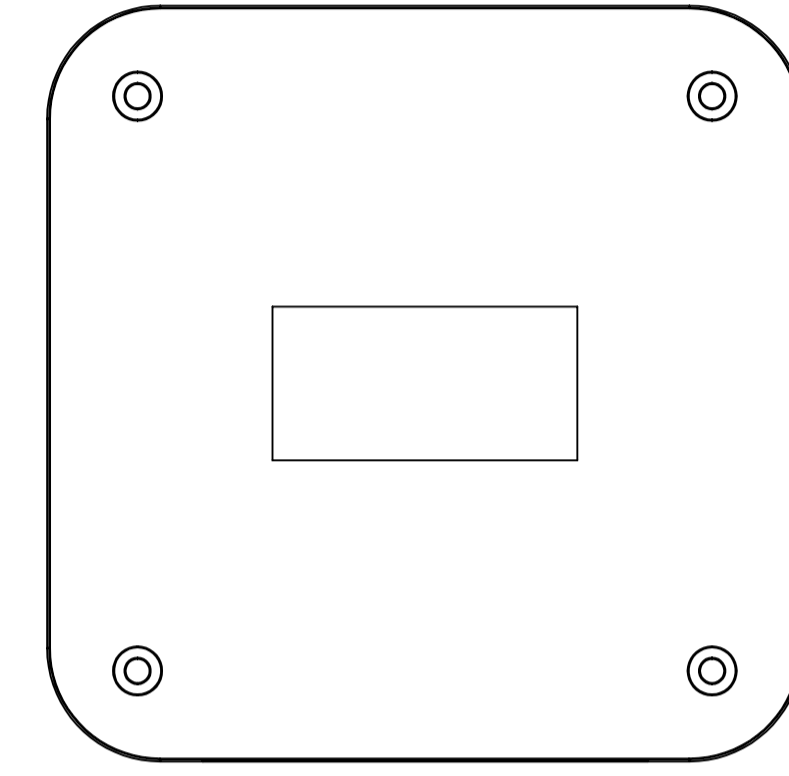
COVER: 6 SURFACE



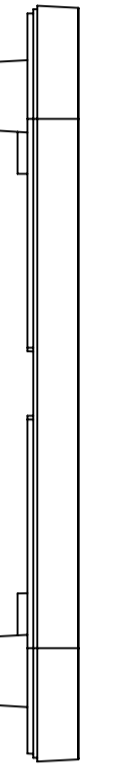
SURFACE-7



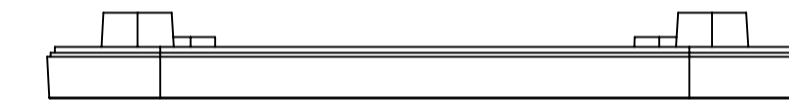
SURFACE-9



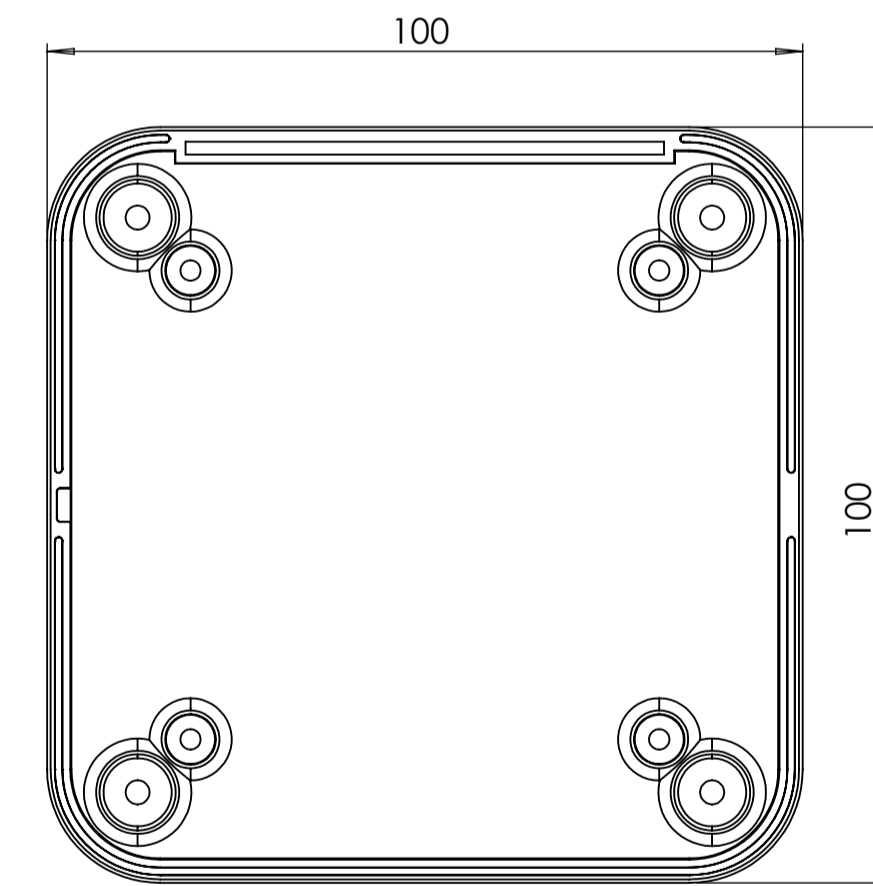
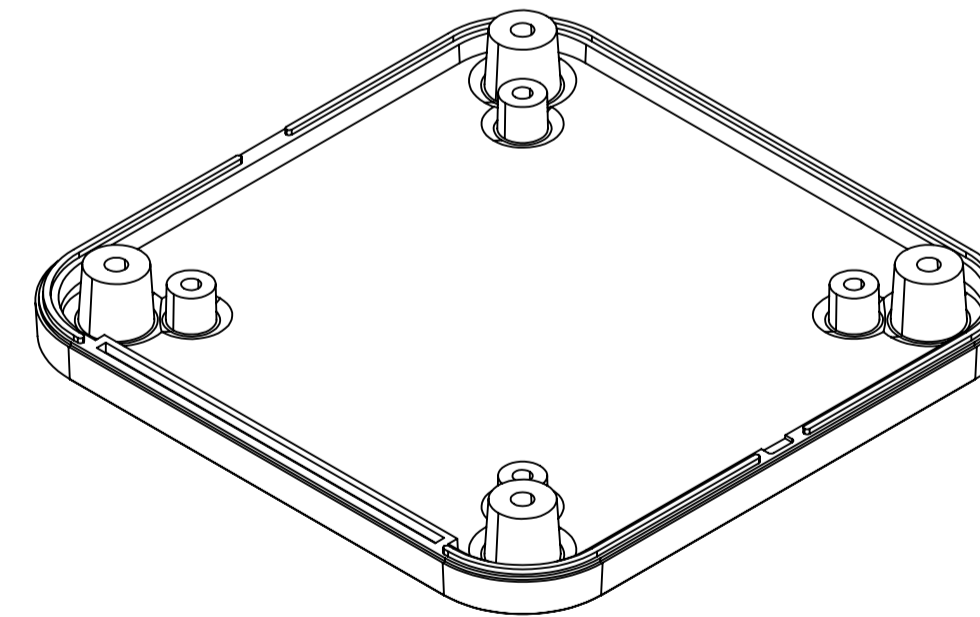
SURFACE-11



SURFACE-10

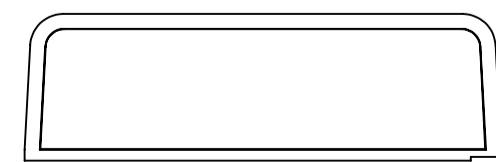
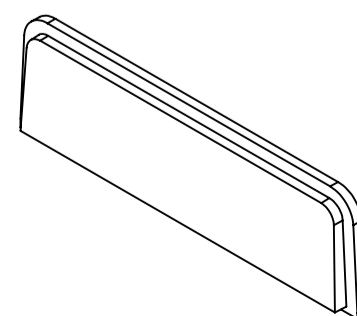


SURFACE-8



SURFACE-12 (INSIDE)

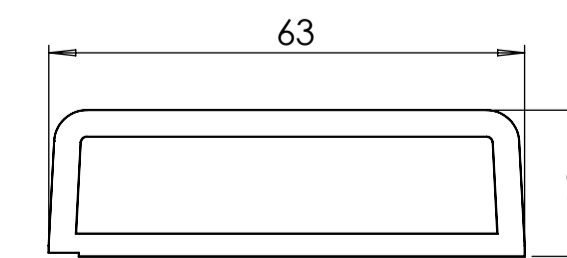
PANEL: 2 SURFACE




SURFACE-13

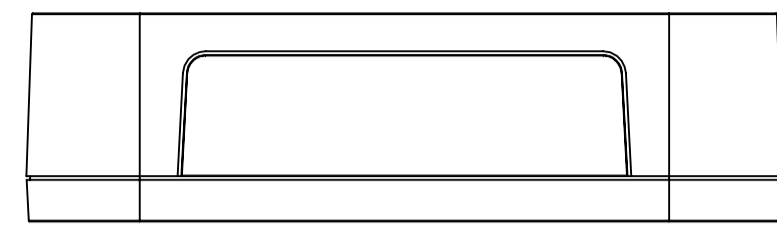


SURFACE-14 (INSIDE)

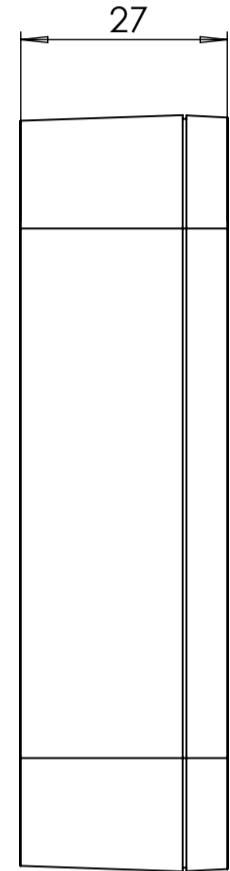
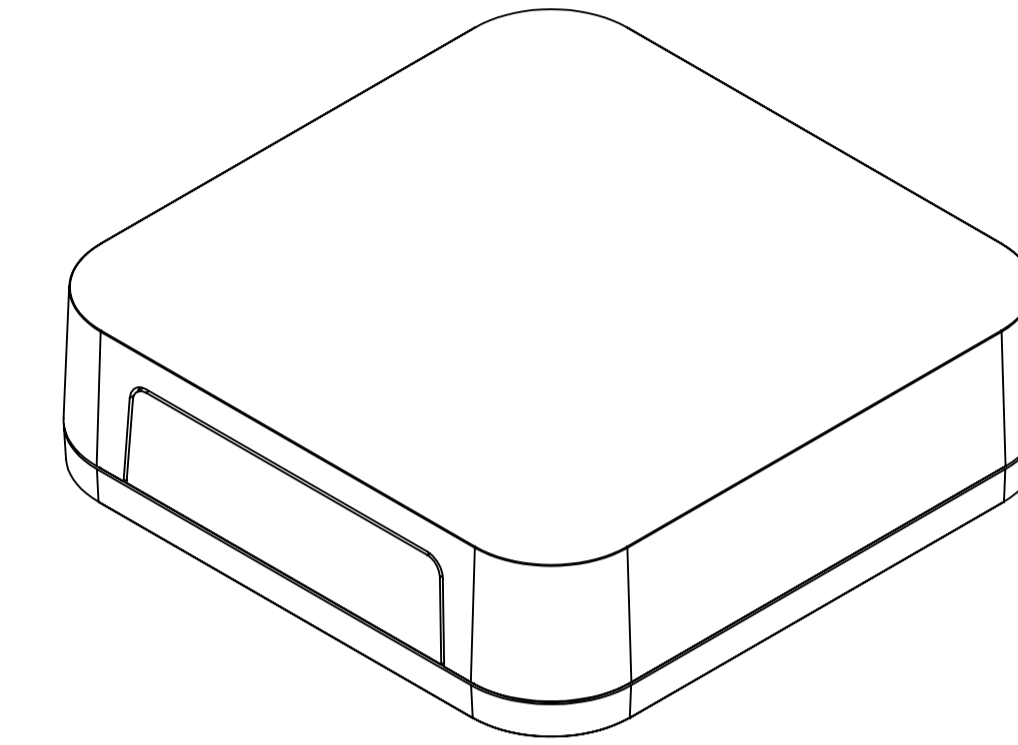


REV. NO.	DATE	REVISED BY	DESCRIPTION OF CHANGE
 ALTINKAYA Electronic Enclosures & Components www.altinkaya.com			
Customer Name:		Customer Ref.:	
Altinkaya Ref.:		Part Name: H94-1010	
DRAWN	NAME	DATE	Drawn From:
CHECKED	Y. YESILOZ	24.09.2024	Material:
DIMENSIONAL TOLERANCES UNLESS OTHERWISE SPECIFIED:		Weight:	SCALE 1:1 UNIT : mm
±0.1	±0.1	±0.2	±0.3
±0.5	±0.5	±0.5	±0.5
Dimension(mm)			Dimension(mm)
30-120mm			120-400mm
m(medium)			m(medium)
SHEET 1 OF 2			A1

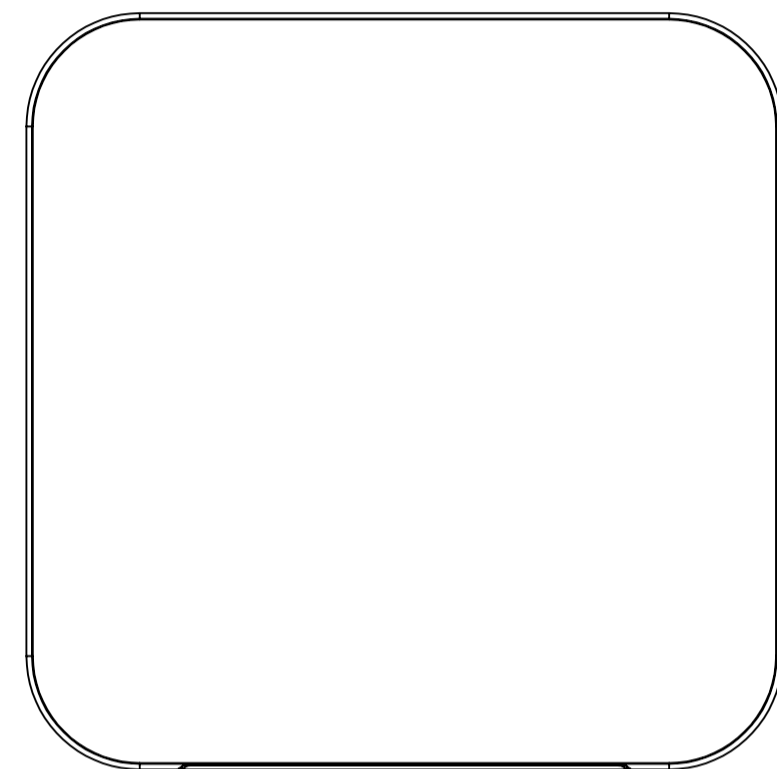
HH-1010 IF MACHINED TOGETHER



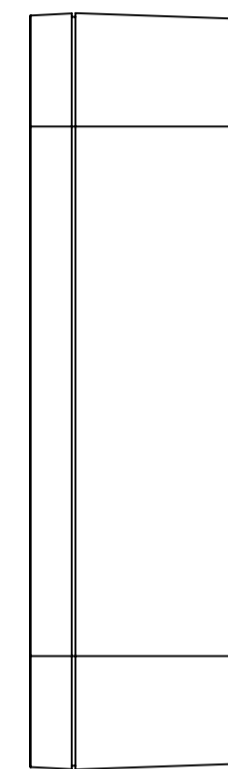
SURFACE-15



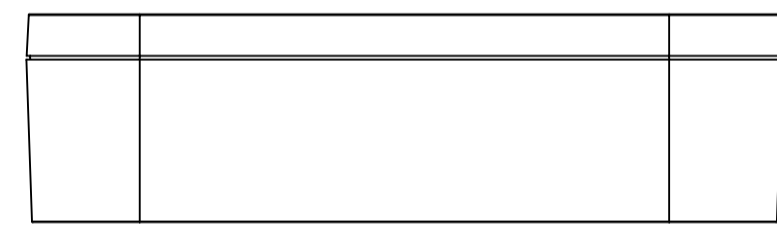
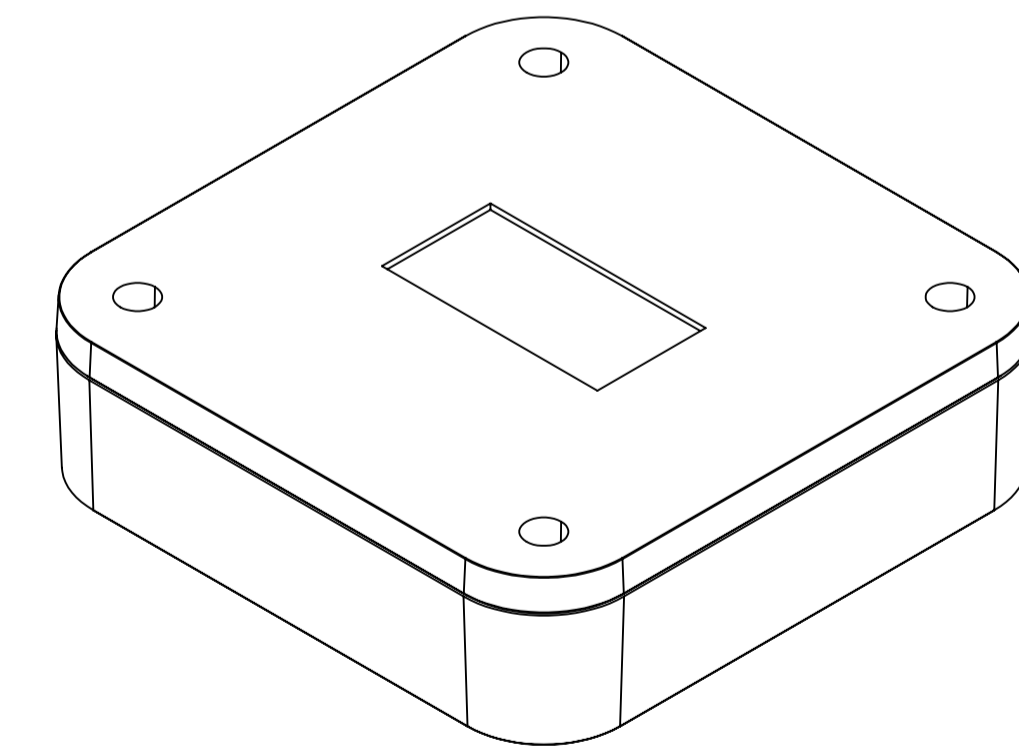
SURFACE-17



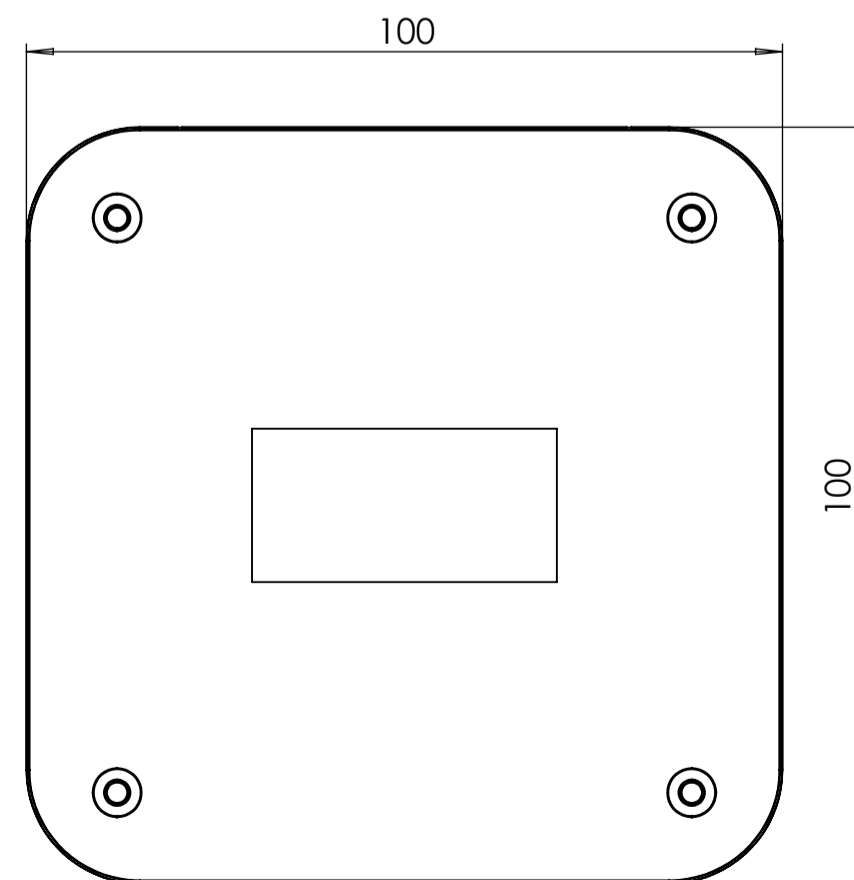
SURFACE-19



SURFACE-18



SURFACE-16



SURFACE-20

REV. NO.	DATE	REVISED BY	DESCRIPTION OF CHANGE
www.altinkaya.com			
Customer Name:		Customer Ref.:	
Altinkaya Ref.:		Part Name: HH-1010	
DRAWN	NAME	DATE	Drawn From:
CHECKED	Y. YEL	24.09.2024	Material:
DIMENSIONAL TOLERANCES UNLESS OTHERWISE SPECIFIED:			SCALE 1:1 UNIT : mm
(mm)	±0.1	±0.1	Weight: 30-120mm ±0.3 120-400mm ±0.5
(mm)	±0.1	±0.2	Dimension(mm)
(mm)	±0.1	±0.2	m(medium)
(mm)	±0.1	±0.2	Dimension(mm)
(mm)	±0.1	±0.2	m(medium)