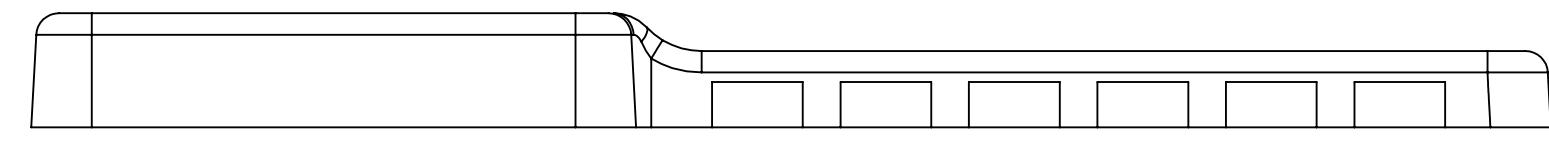
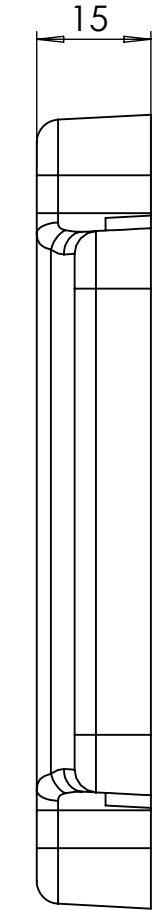


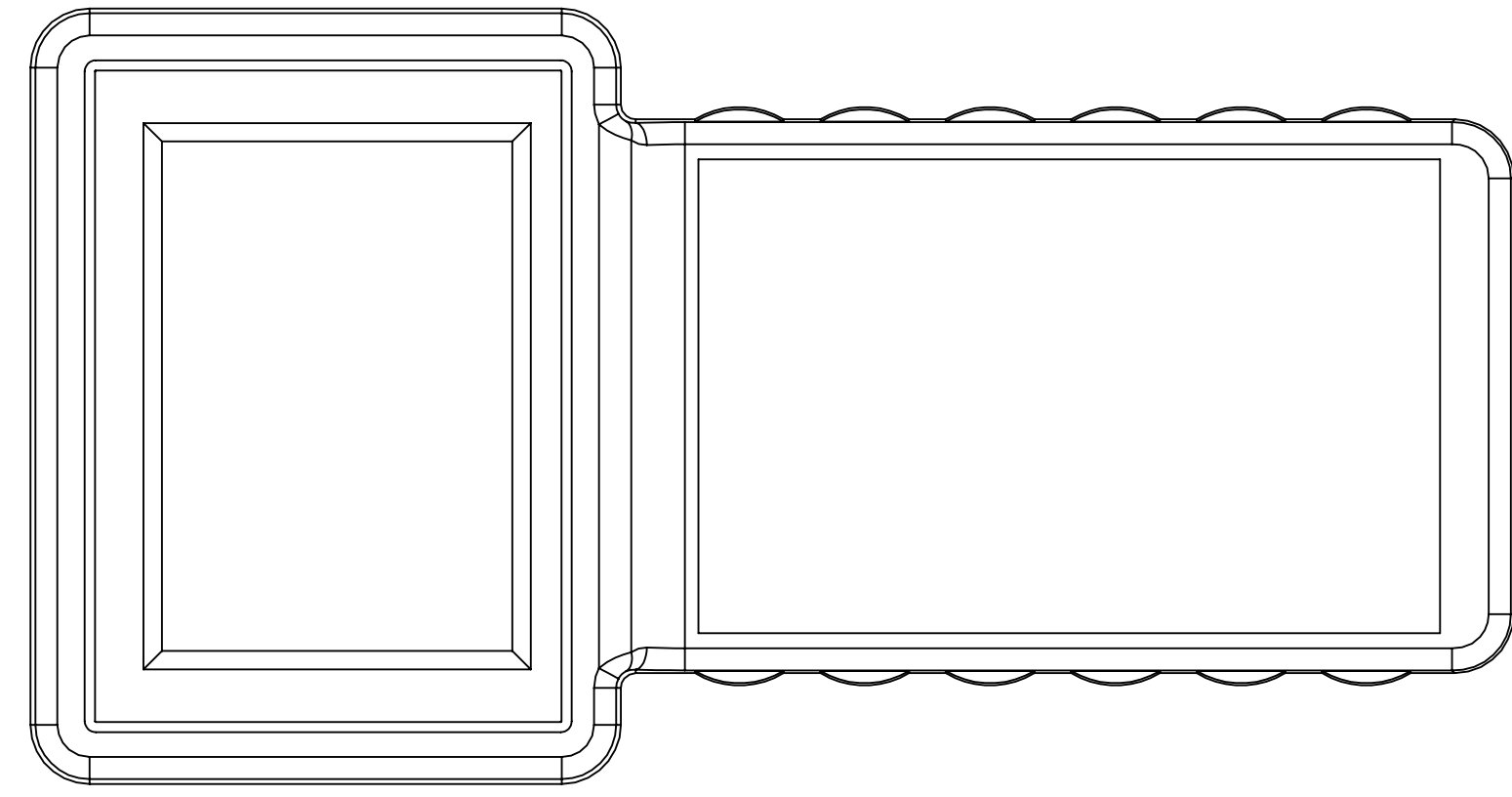
BASE: 6 SURFACE



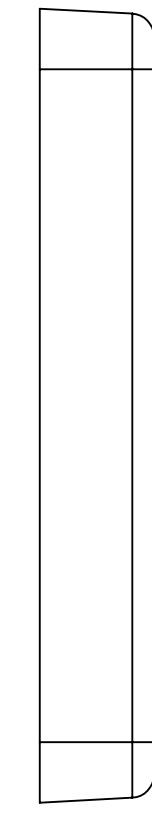
SURFACE-1



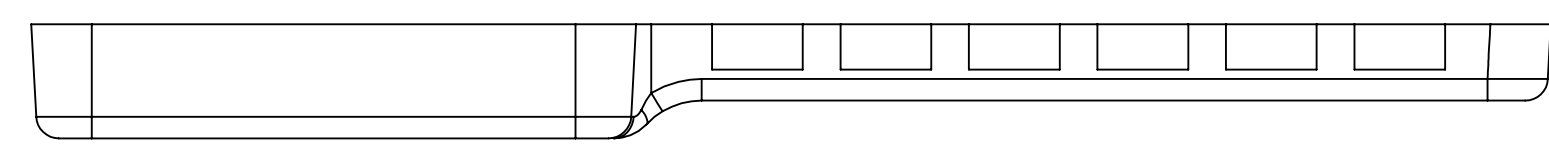
SURFACE-3



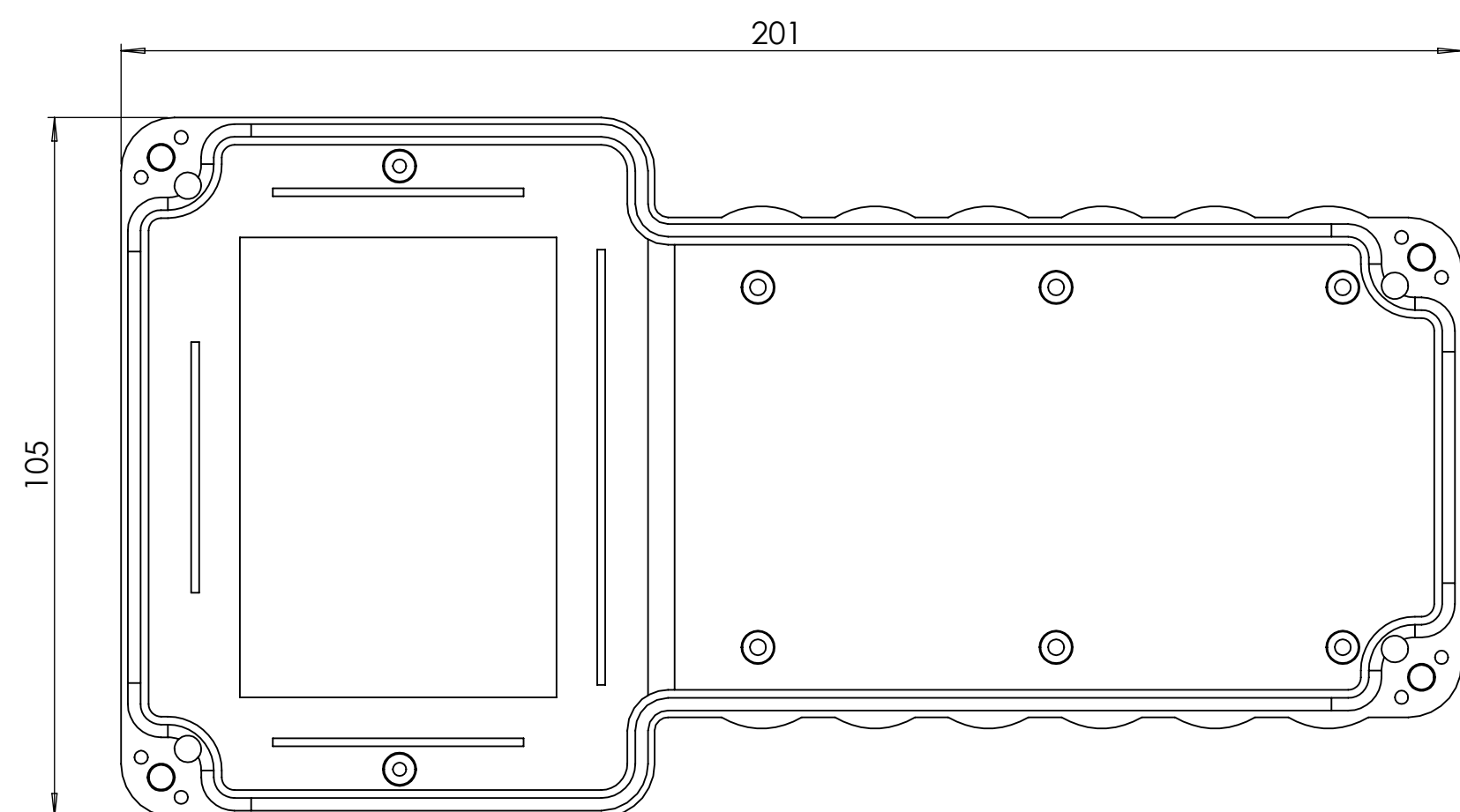
SURFACE-5



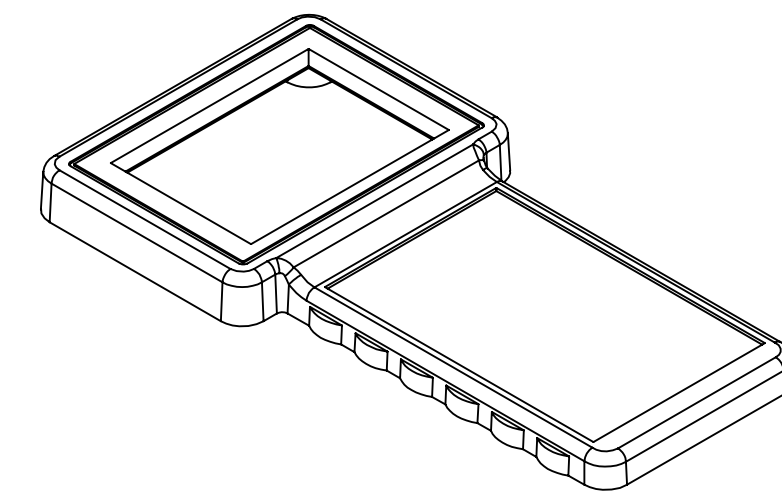
SURFACE-4



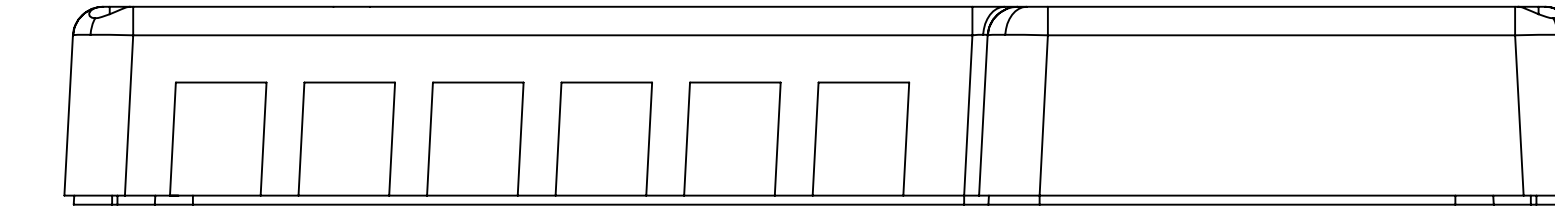
SURFACE-2



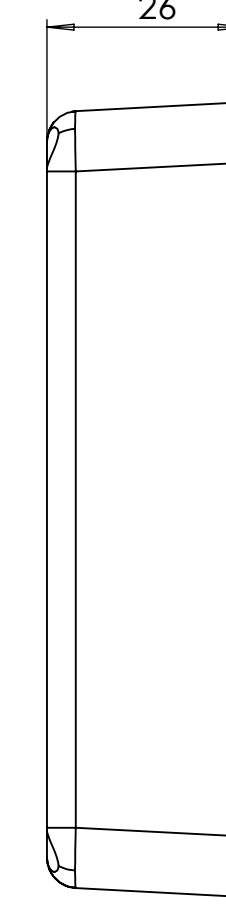
SURFACE-6 (INSIDE)



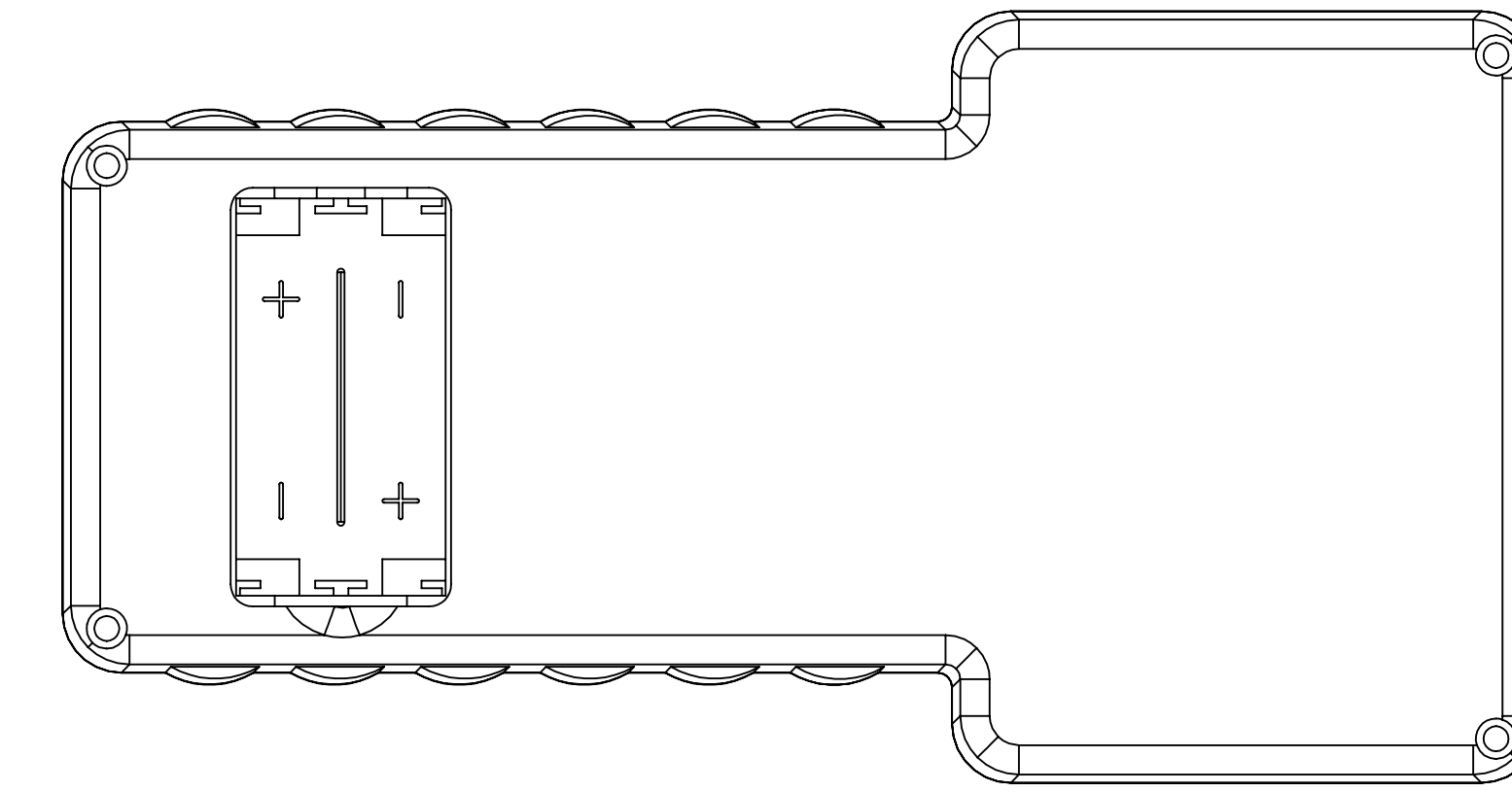
COVER: 6 SURFACE



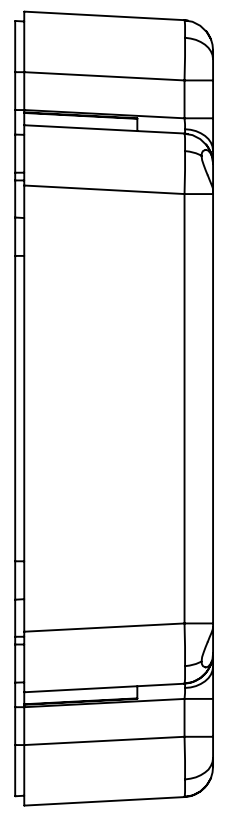
SURFACE-7



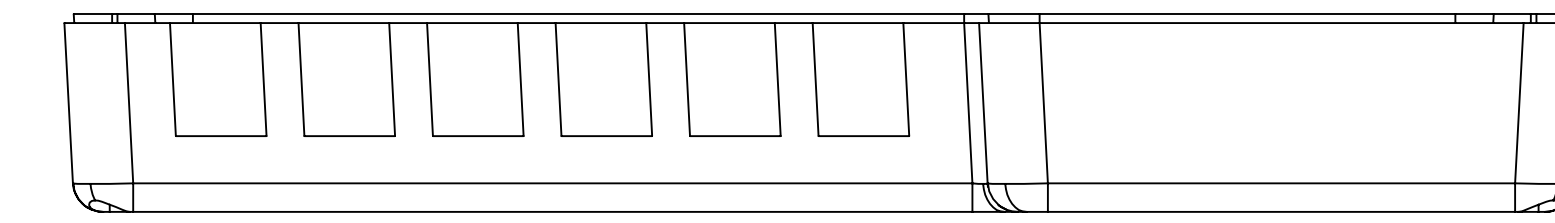
SURFACE-9



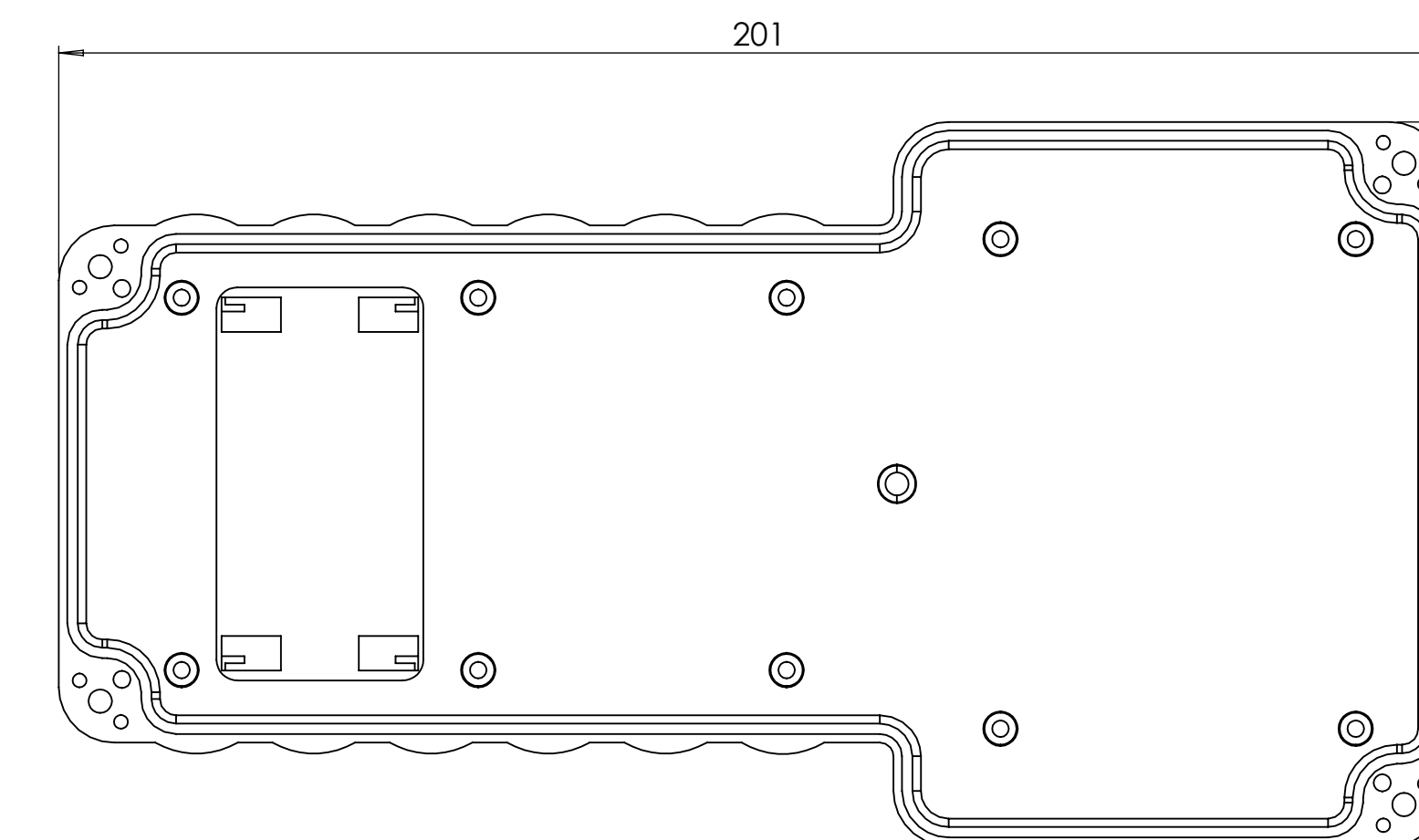
SURFACE-11



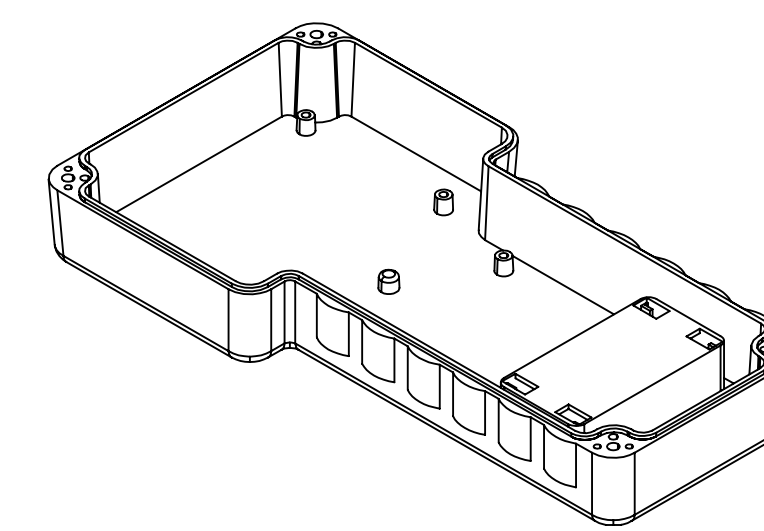
SURFACE-10



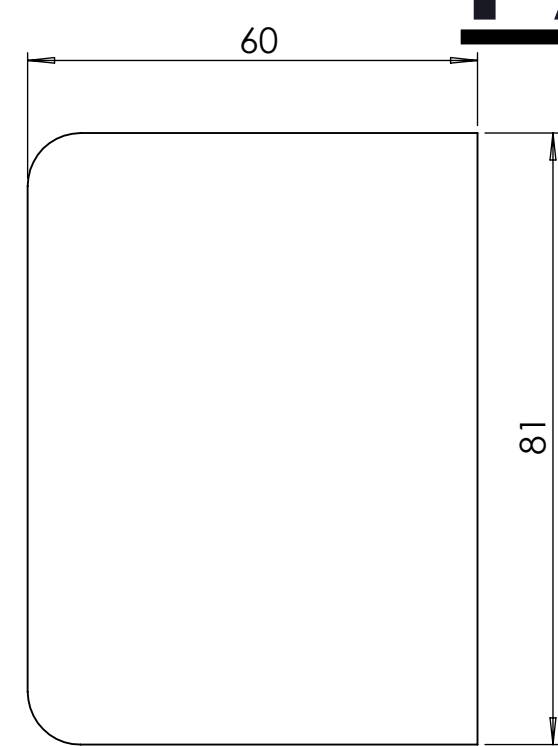
SURFACE-8



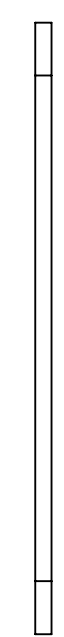
SURFACE-12 (INSIDE)



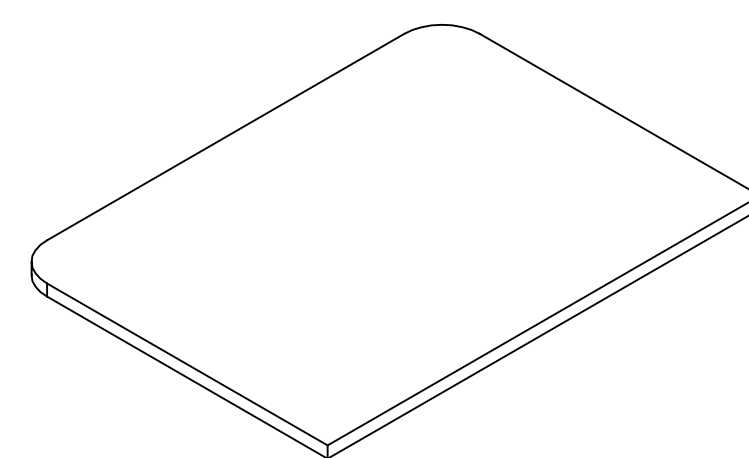
PANEL: 2 SURFACE



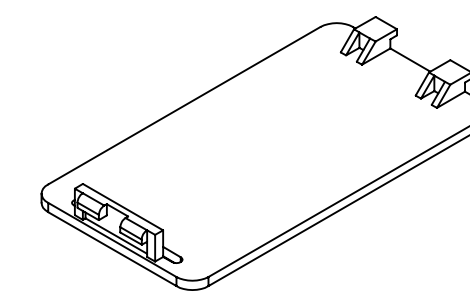
SURFACE-13



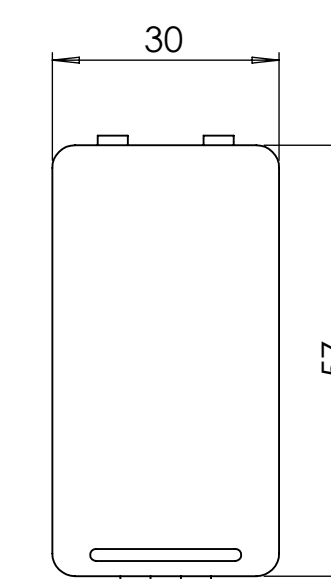
SURFACE-14



BATTERY COVER: 2 SURFACE



SURFACE-15

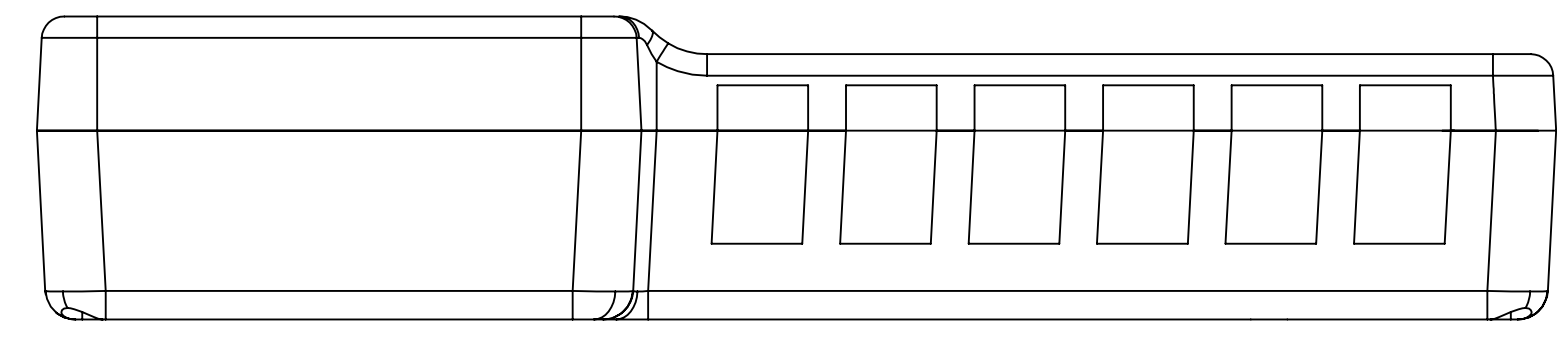


SURFACE-16

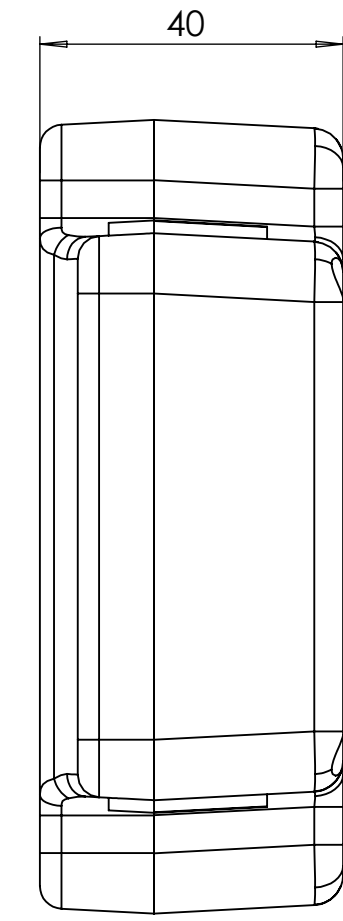


REV. NO	DATE	REVISED BY	DESCRIPTION OF CHANGE
ALTINKAYA Electronic Enclosures & Components			www.altinkaya.com
Customer Name:		Customer Ref.:	
Altinkaya Ref.:		Part Name: HH-095-A	
DRAWN	NAME	DATE	Drawn From:
CHECKED	Y.YEL	8.10.2024	Material:
DIMENSIONAL TOLERANCES UNLESS OTHERWISE SPECIFIED (DIN7168)		0.5-3mm	3-6mm
±0.1	±0.1	±0.2	±0.3
Weight:		30-120mm	120-400mm
		±0.5	Dimension (mm)
		m (Medium)	
SCALE 1:1			SHEET 01 OF 2
UNIT: mm			A0

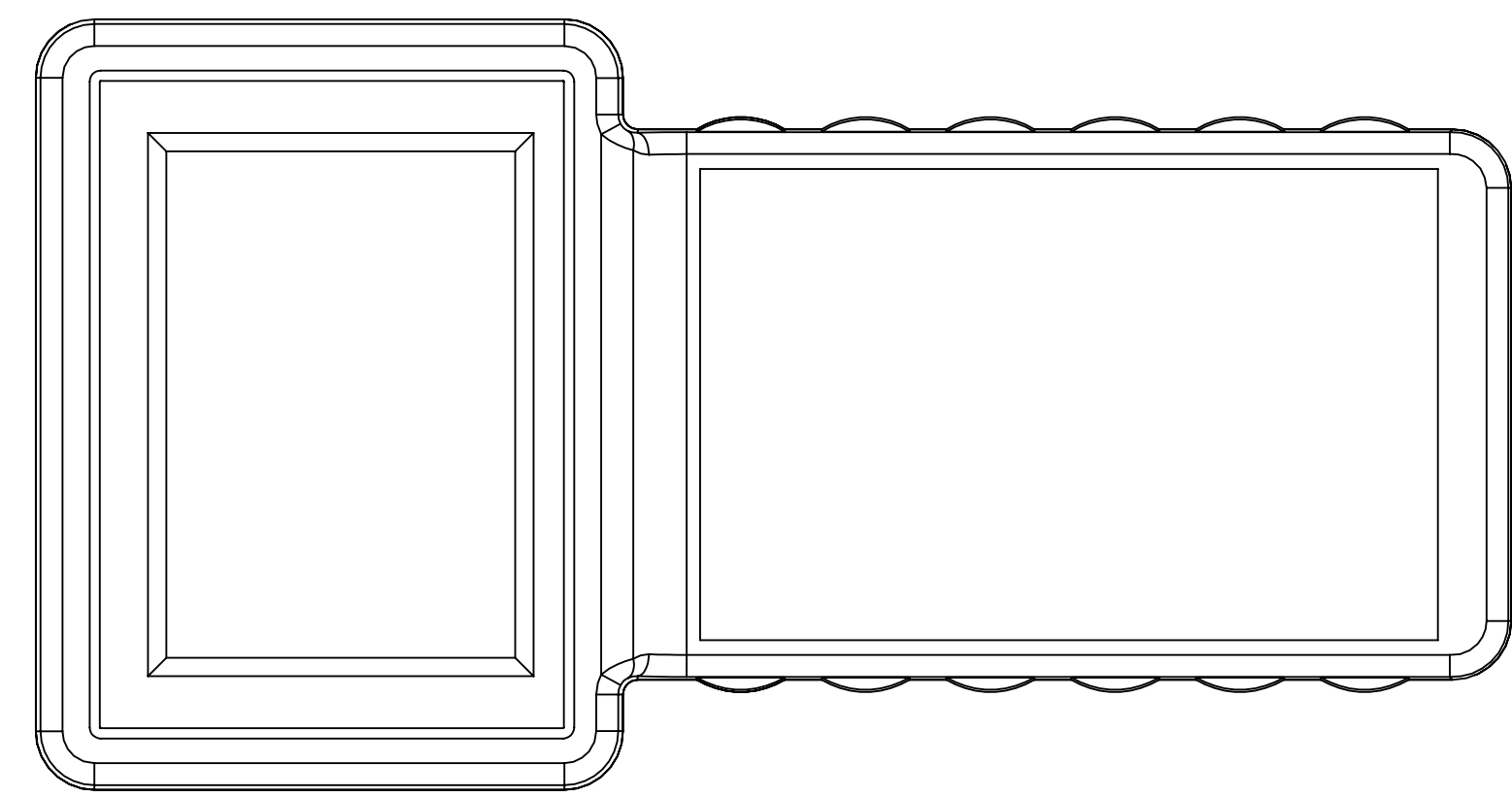
HH-095-A IF MACHINED TOGETHER



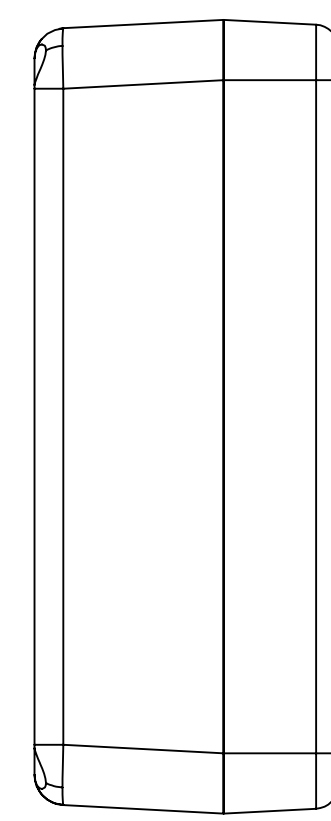
SURFACE-17



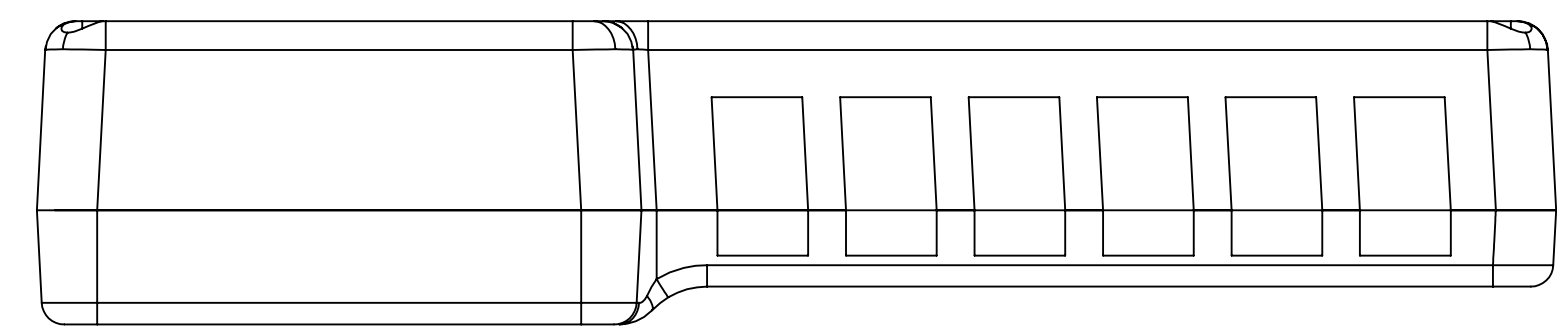
SURFACE-19



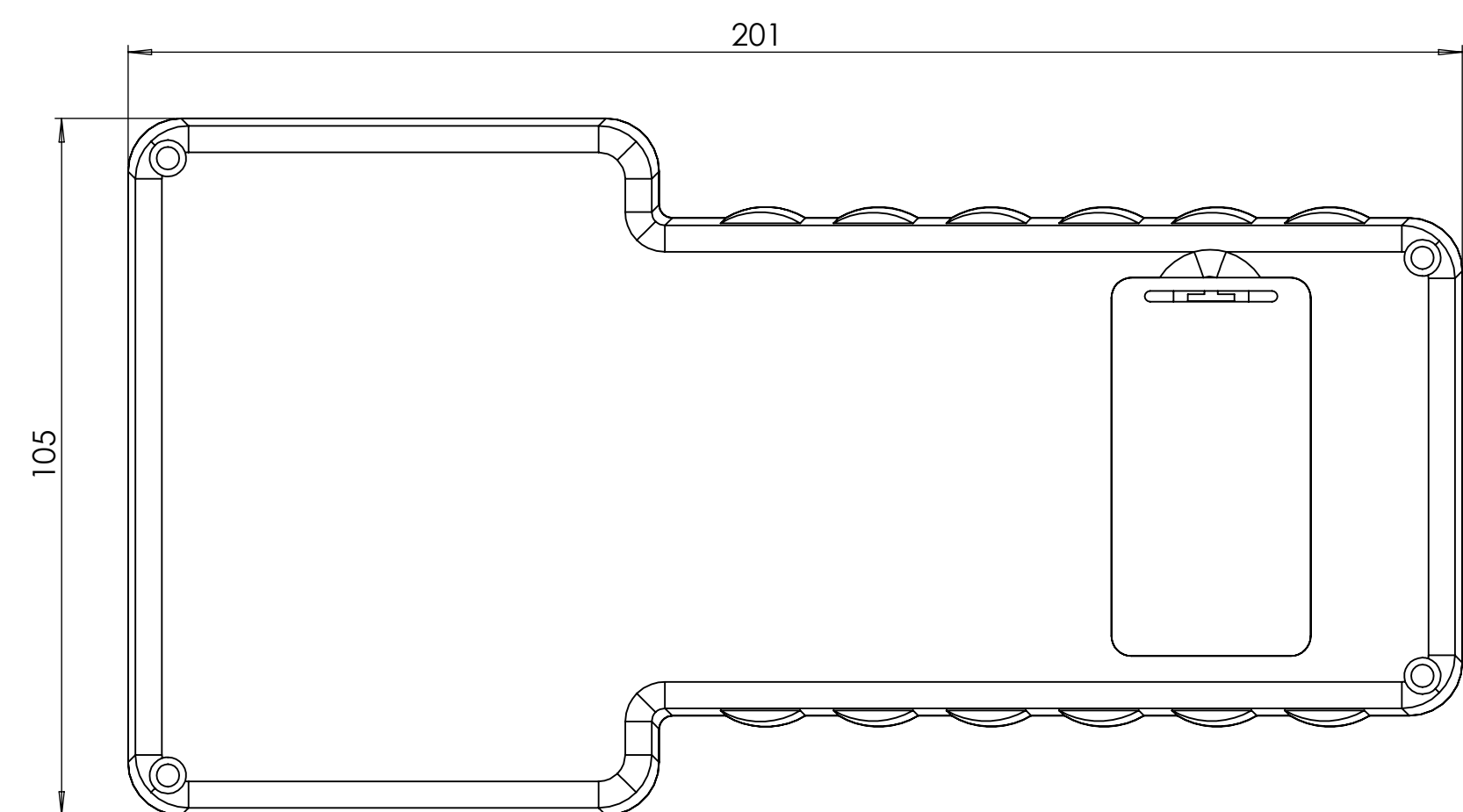
SURFACE-21



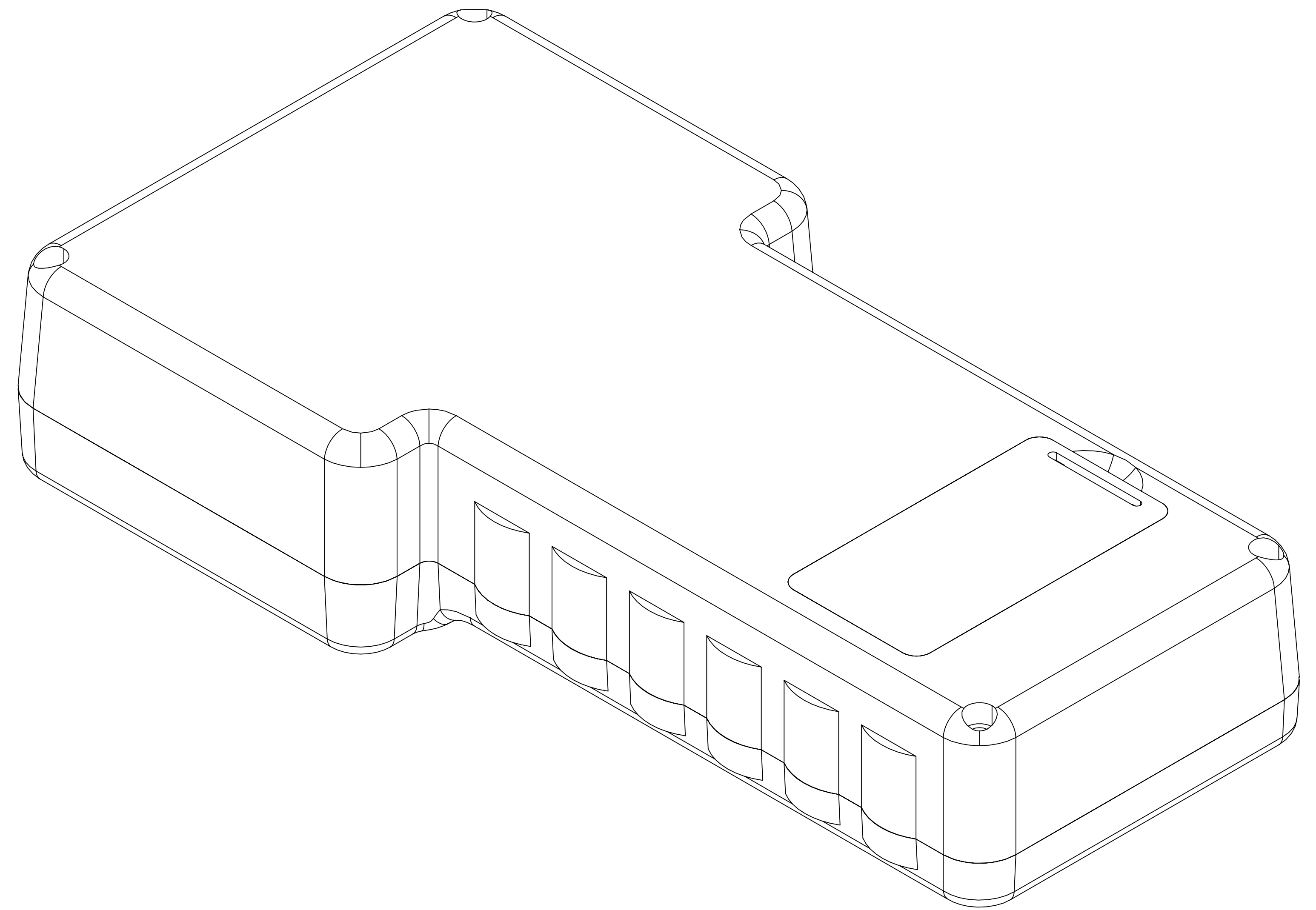
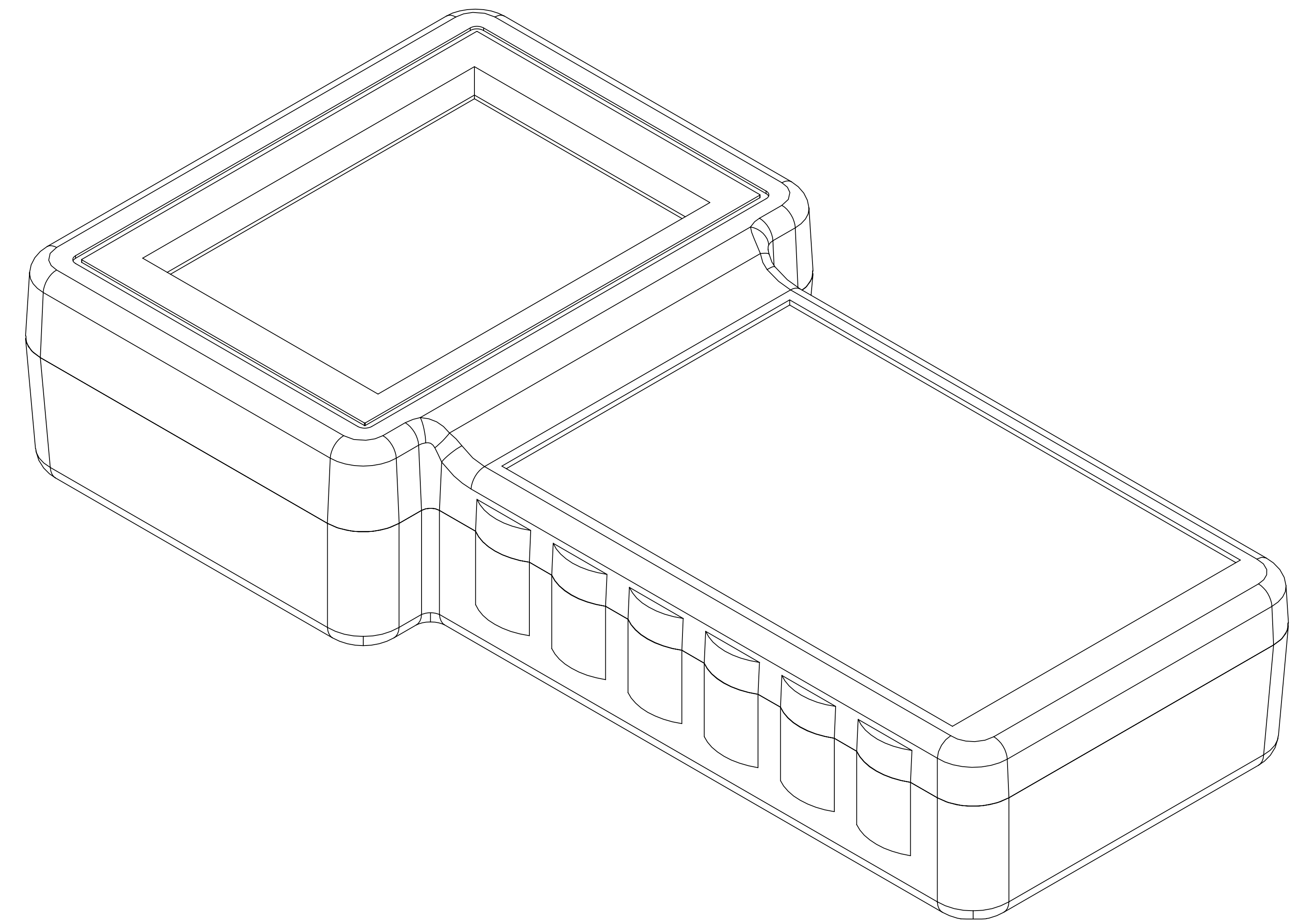
SURFACE-20




SURFACE-18



SURFACE-22



REV. NO	DATE	REVISED BY	DESCRIPTION OF CHANGE	
 ALTINKAYA Electronic Enclosures & Components			www.altinkaya.com	
Customer Name:		Customer Ref.:		
Altinkaya Ref.:		Part Name: HH-095-A		
DRAWN	NAME	DATE	Drawn From:	SCALE 1:1
CHECKED	Y.YEL	8.10.2024	Weight:	SHEET 2 OF 2
DIMENSIONAL TOLERANCES UNLESS OTHERWISE SPECIFIED (DIN7168)		0.5-3mm	3-6mm	6-30mm
		±0.1	±0.1	±0.2
			±0.3	±0.5
				Dimension (mm)
				m (Medium)
				UNIT: mm
				A0