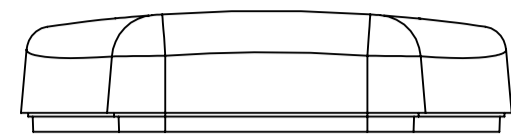
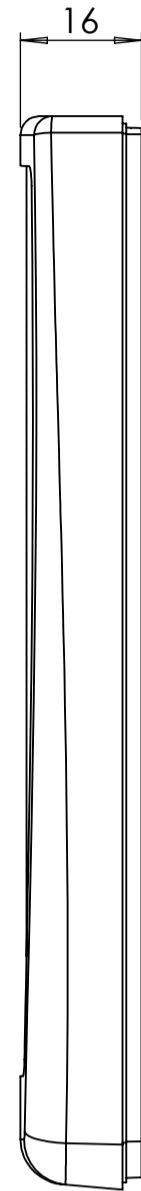


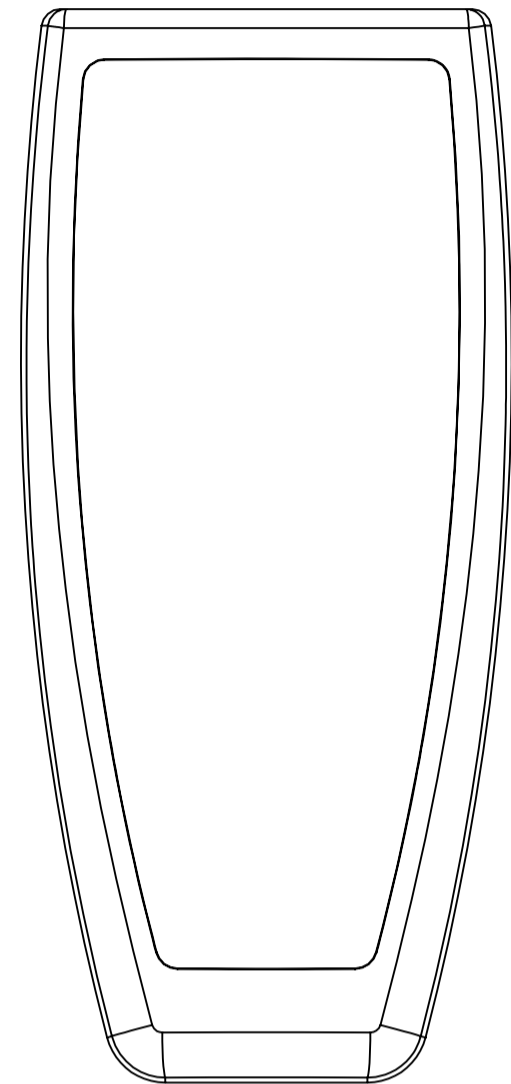
BASE: 6 SURFACE



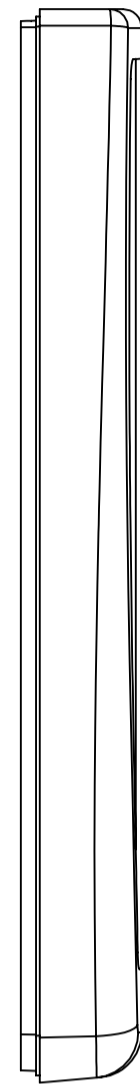
SURFACE-1



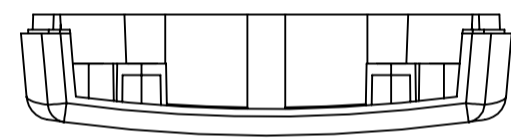
SURFACE-3



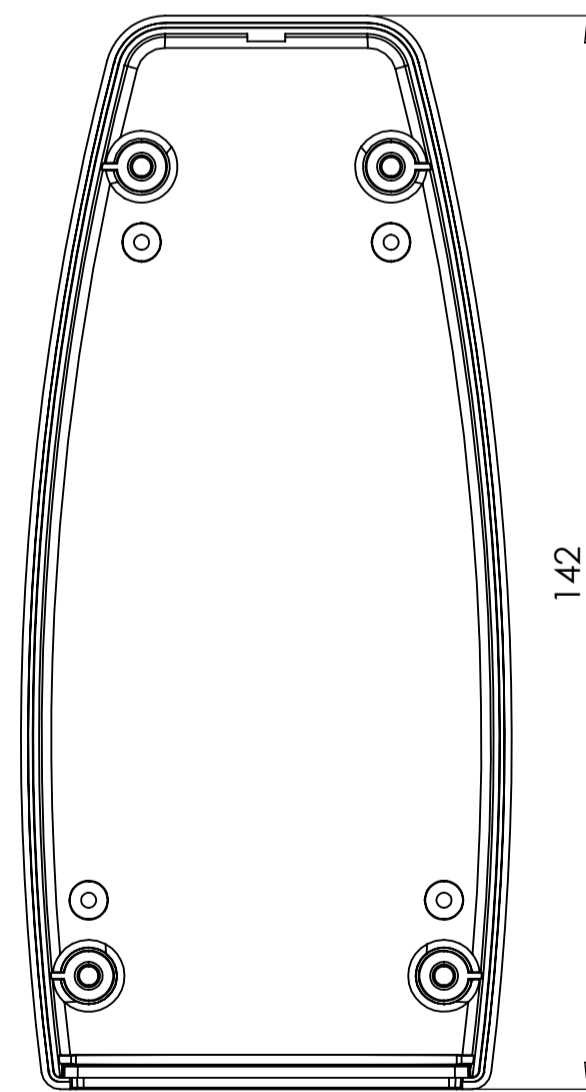
SURFACE-5



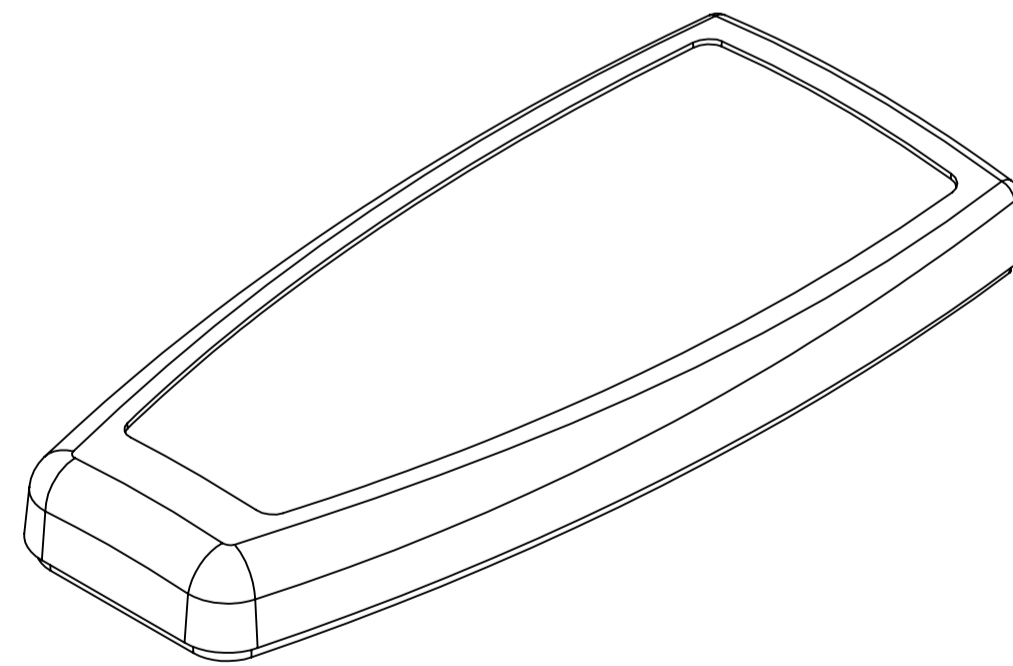
SURFACE-4



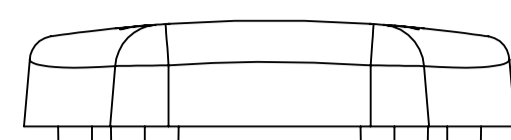
SURFACE-2



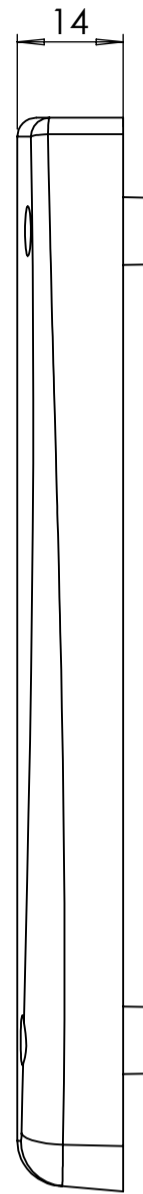
SURFACE-6 (INSIDE)



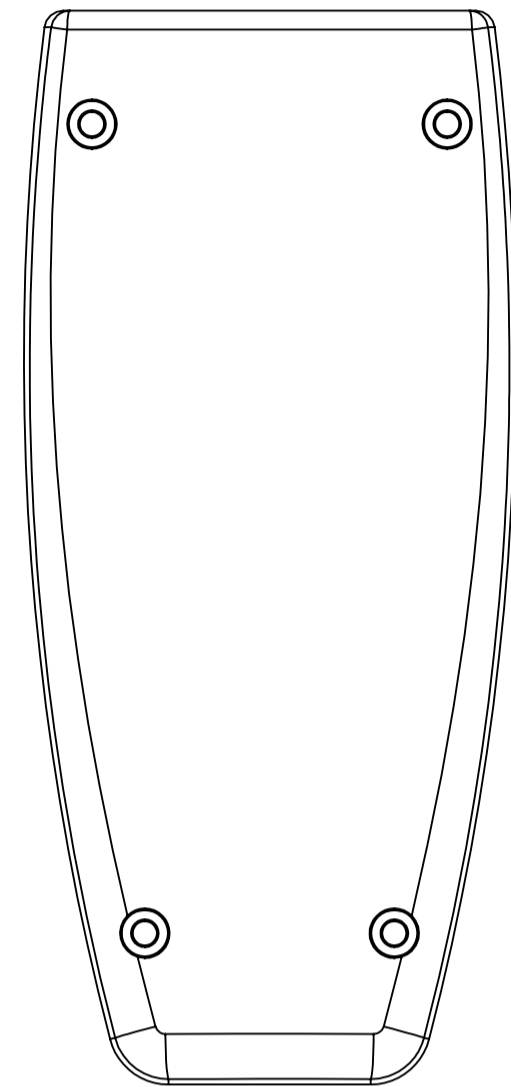
COVER: 6 SURFACE



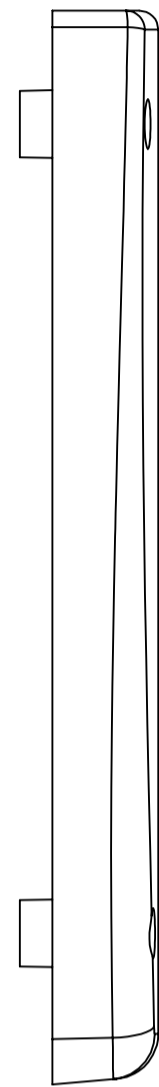
SURFACE-7



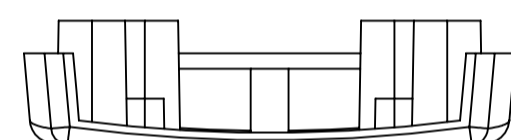
SURFACE-9



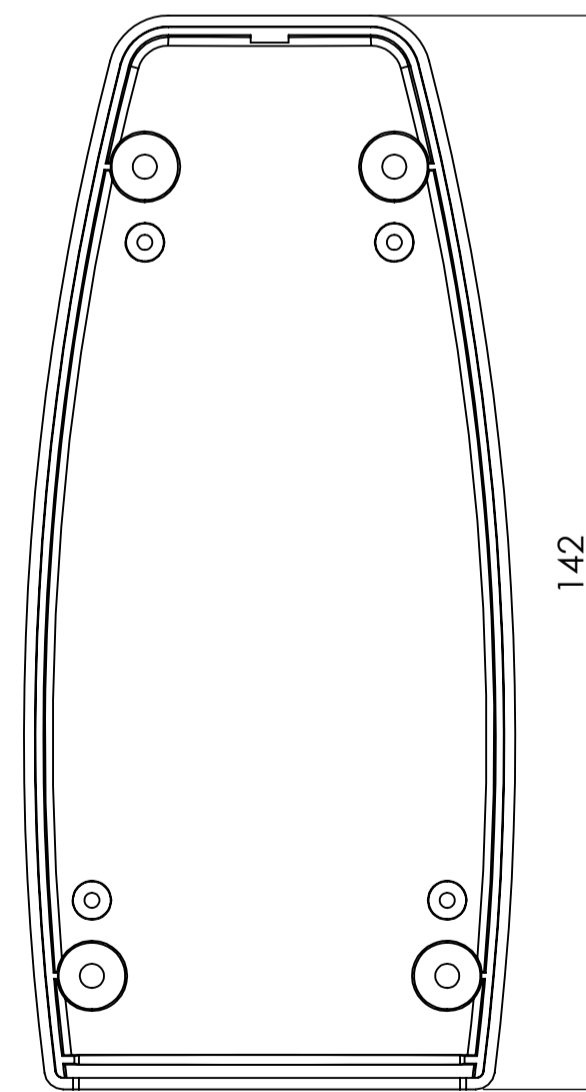
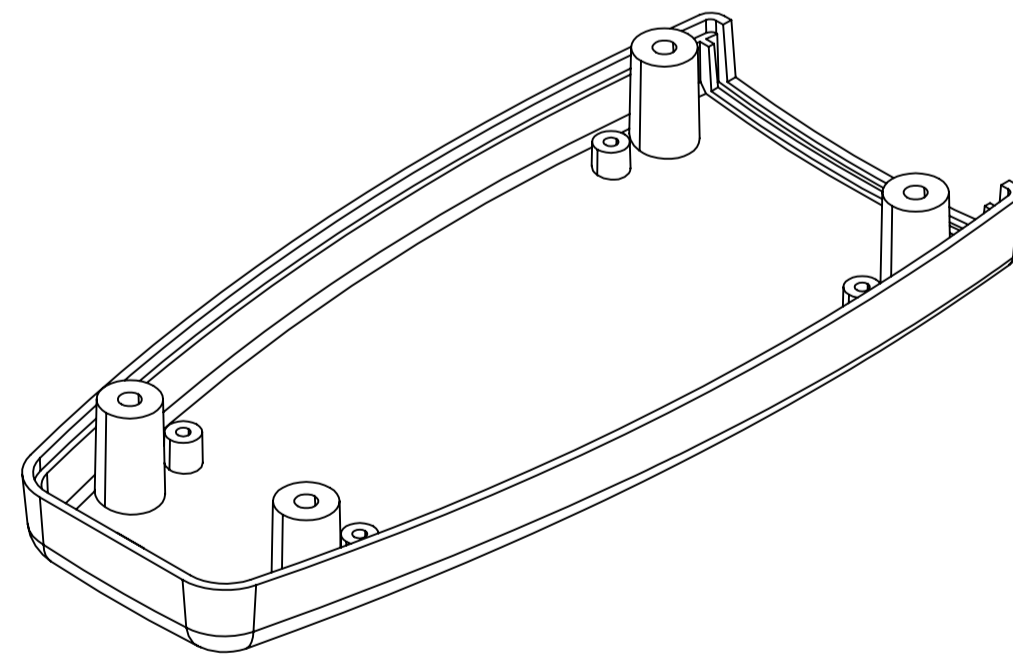
SURFACE-11



SURFACE-10

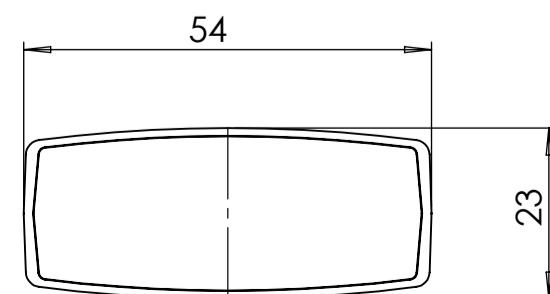


SURFACE-8

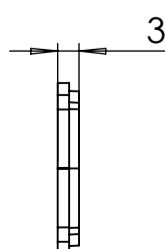


SURFACE-12 (INSIDE)

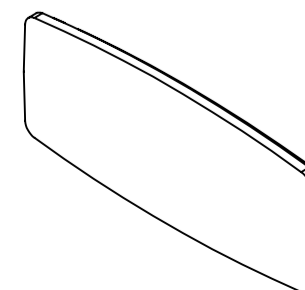
PANEL: 2 SURFACE



SURFACE-13

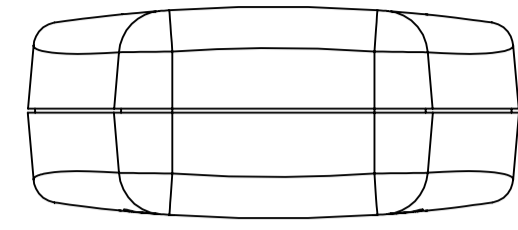


SURFACE-14

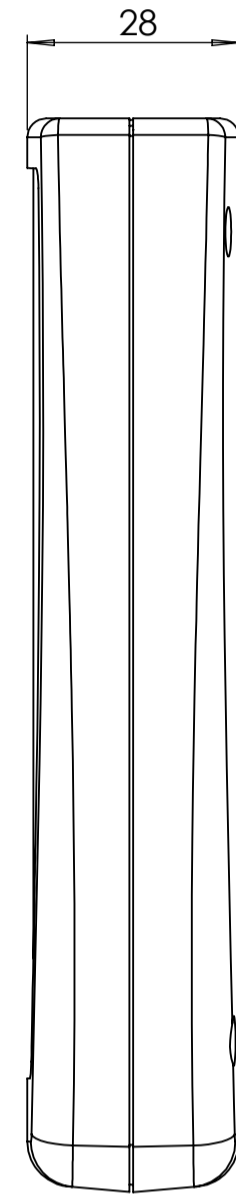


REV. NO.	DATE	REVISED BY	DESCRIPTION OF CHANGE
ALTINKAYA Electronic Enclosures & Components www.altinkaya.com			
Customer Name:		Customer Ref.:	
Altinkaya Ref.:		Part Name: HH-068	
DRAWN	NAME	DATE	Drawn From:
CHECKED	Y. YESLOZ	8.10.2024	Material:
DIMENSIONAL TOLERANCES UNLESS OTHERWISE SPECIFIED:		Weight:	SCALE 1:1 UNIT : mm
[R&T/148]	±0.1	±0.1	±0.2
	3-6mm	6-30mm	30-120mm
			120-400mm
			Dimension(mm)
			m(medium)
			±0.5
			±0.5

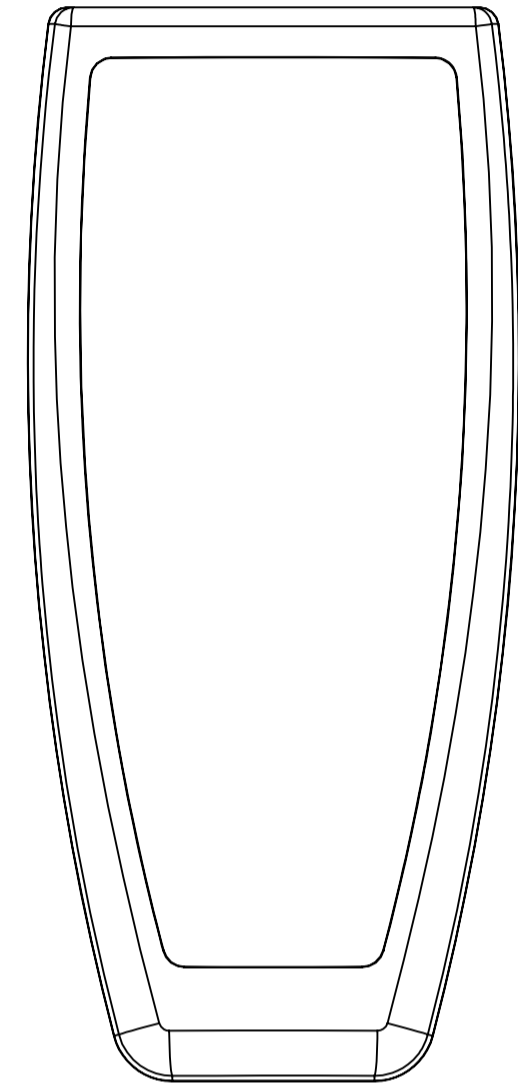
HH-068 IF MACHINED TOGETHER



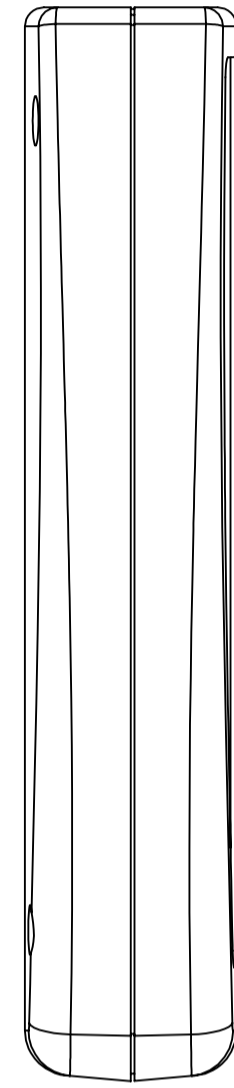
SURFACE-15



SURFACE-17



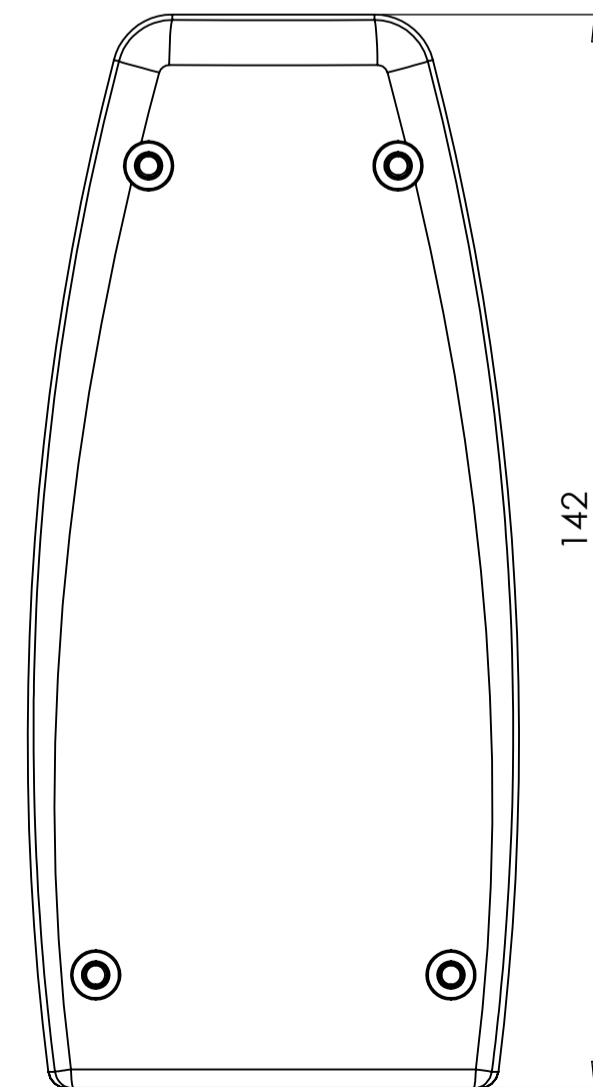
SURFACE-19



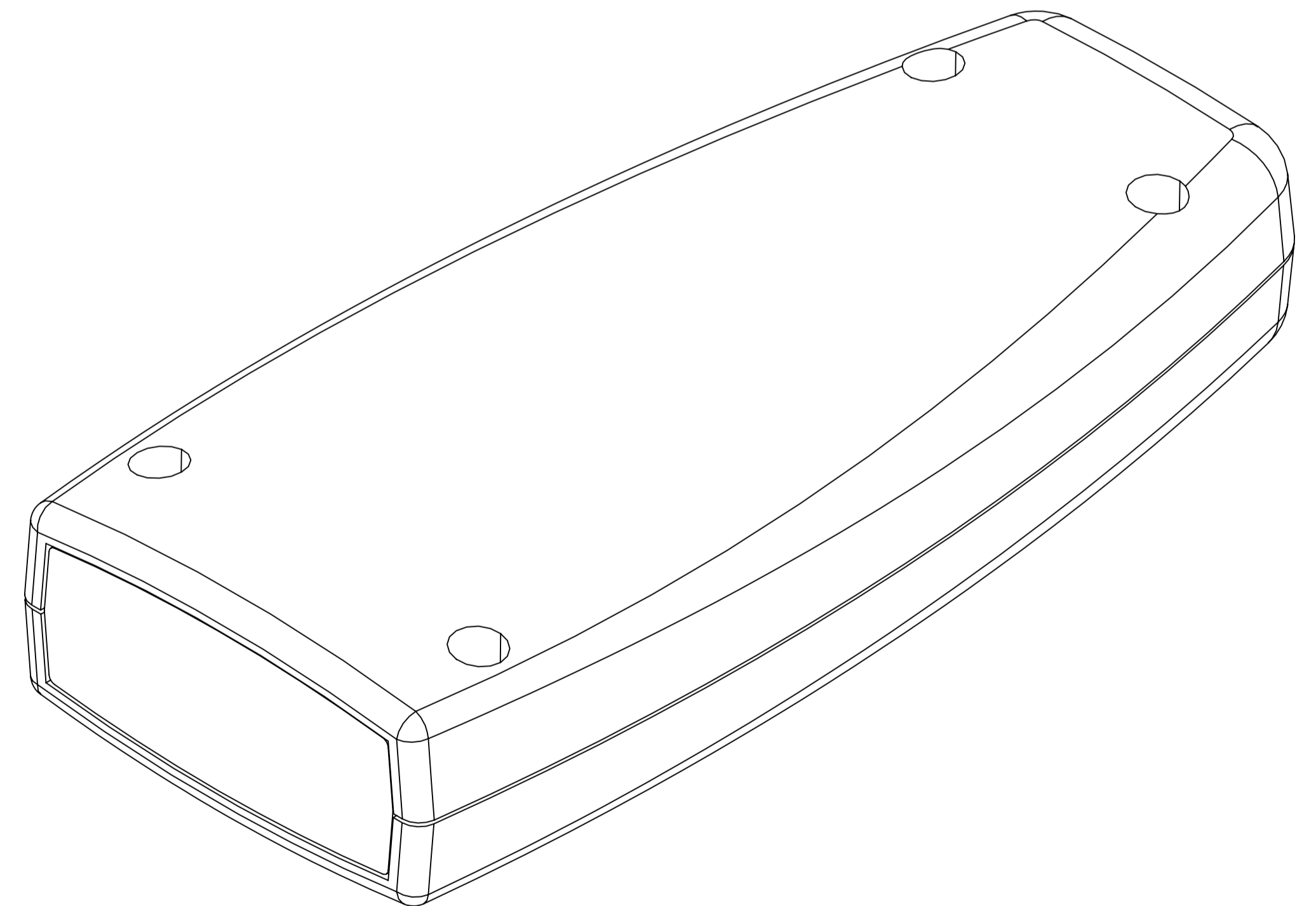
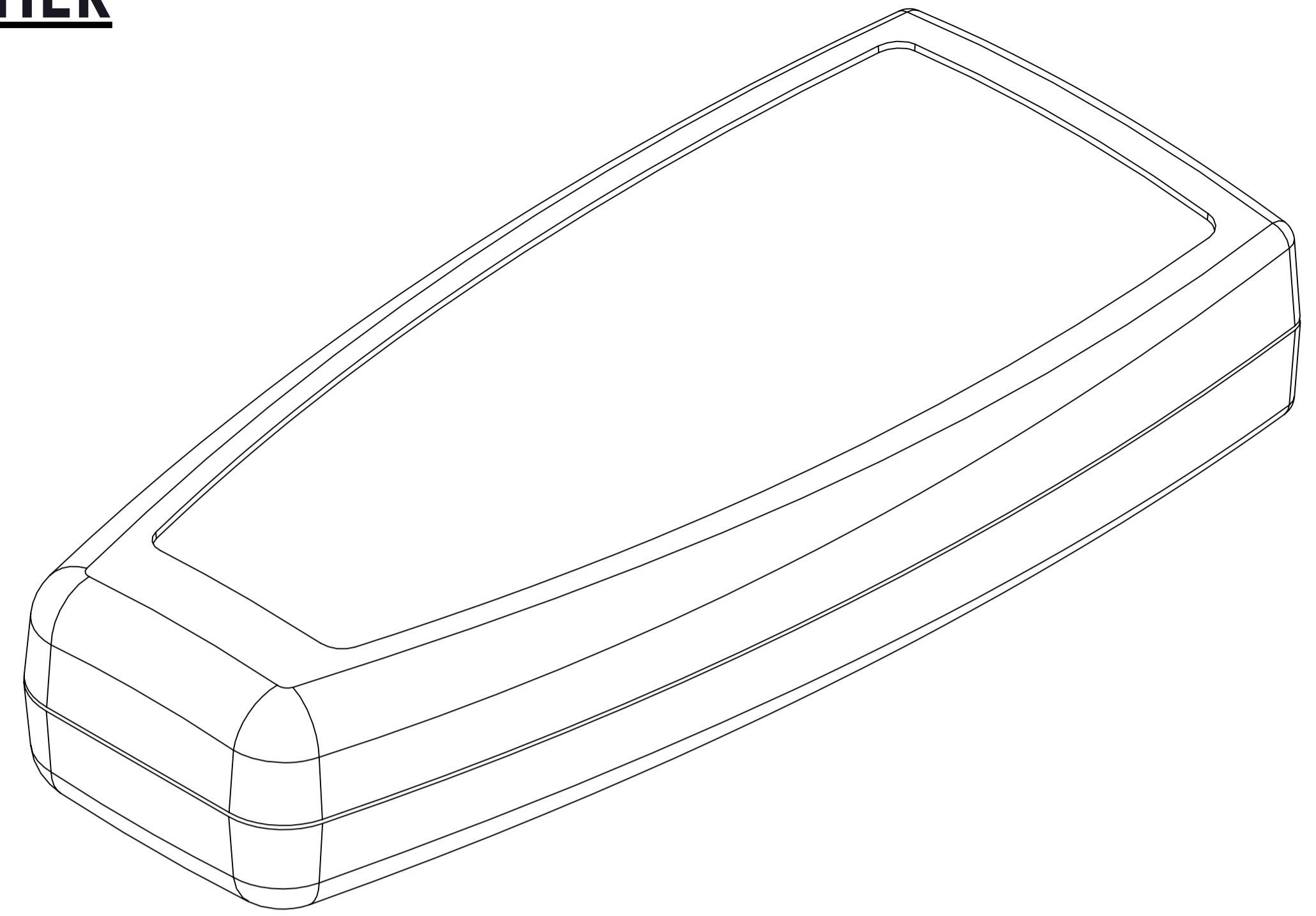
SURFACE-18




SURFACE-16



SURFACE-20



REV. NO.	DATE	REVISED BY	DESCRIPTION OF CHANGE
 ALTINKAYA Electronic Enclosures & Components www.altinkaya.com			
Customer Name:		Customer Ref.:	
Altinkaya Ref.:		Part Name: HH-068	
DRAWN	NAME	DATE	Drawn From:
CHECKED	Y. YESLOZ	8.10.2024	Material:
DIMENSIONAL TOLERANCES UNLESS OTHERWISE SPECIFIED:			Weight:
(mm)	±0.1	±0.1	±0.2
(mm)	±0.1	±0.2	±0.3
(mm)	±0.1	±0.2	±0.5
SCALE 1:1			UNIT : mm
Dimension (mm)			A1
m (medium)			SHEET 2 OF 2