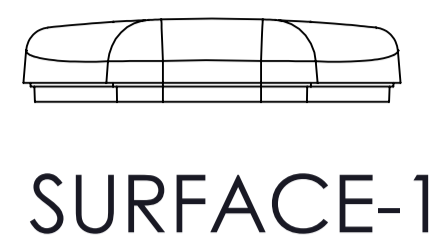
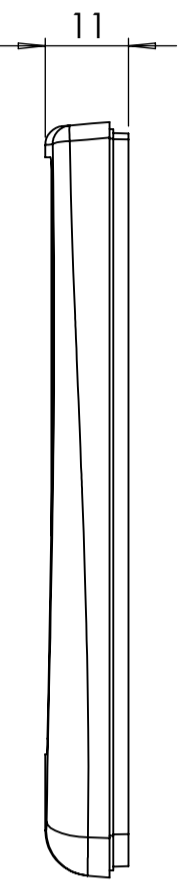


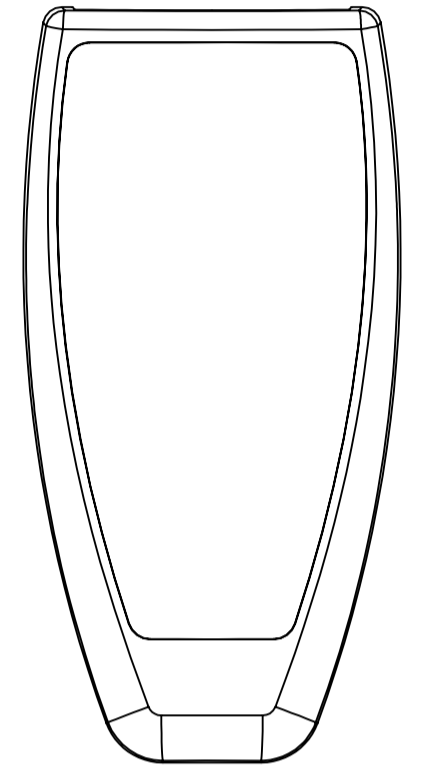
BASE: 6 SURFACE



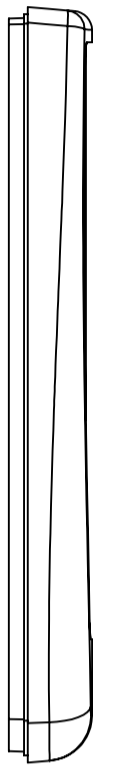
SURFACE-1



SURFACE-3



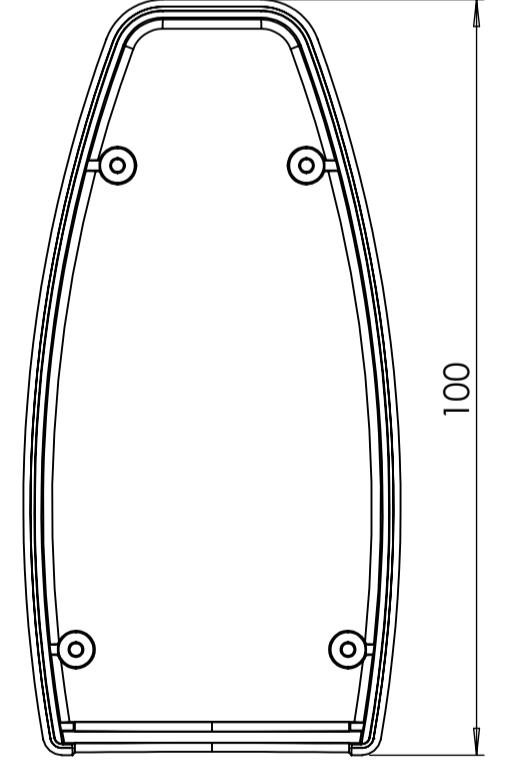
SURFACE-5



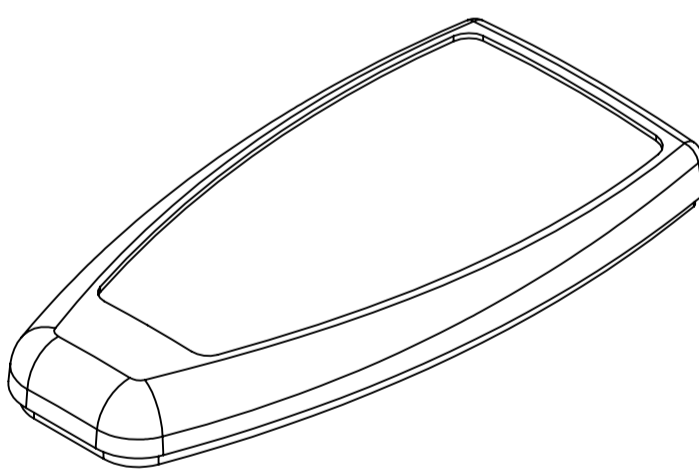
SURFACE-4



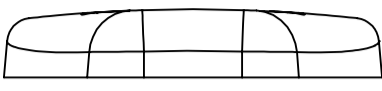
SURFACE-2



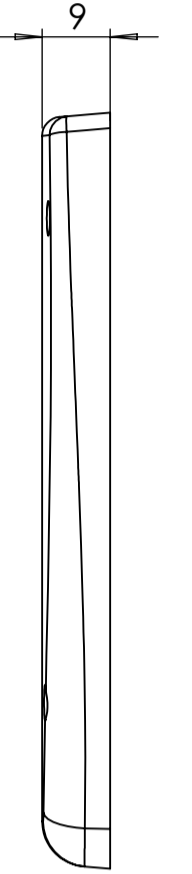
SURFACE-6 (INSIDE)



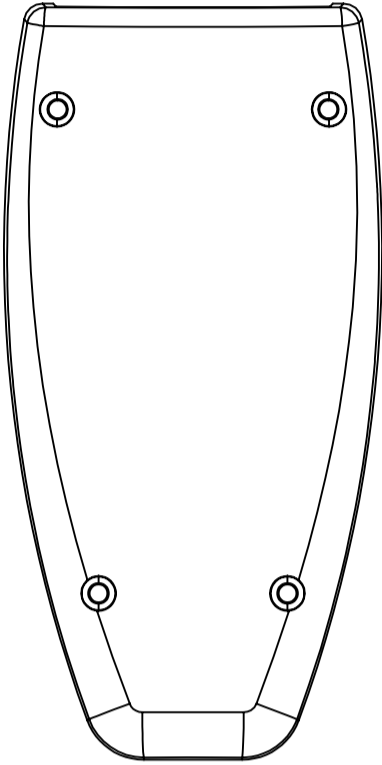
COVER: 6 SURFACE



SURFACE-7



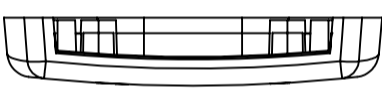
SURFACE-9



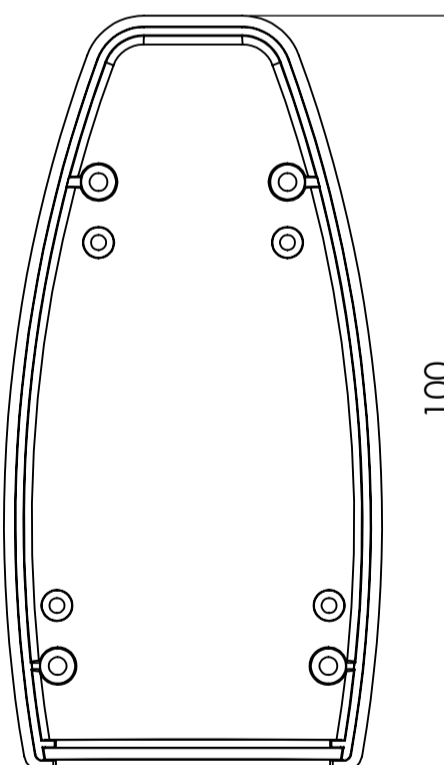
SURFACE-11



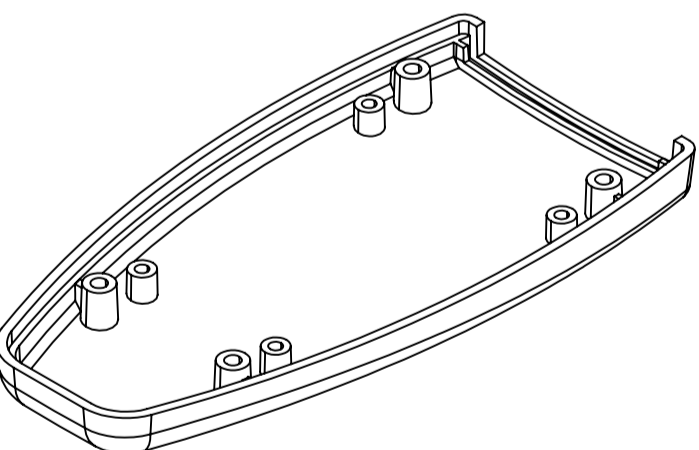
SURFACE-10



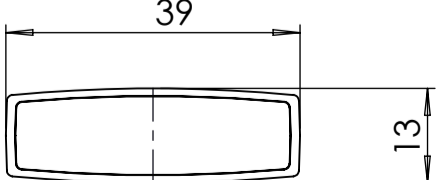
SURFACE-8



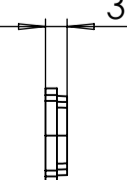
SURFACE-12 (INSIDE)



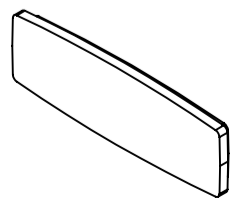
PANEL: 6 SURFACE



SURFACE-13

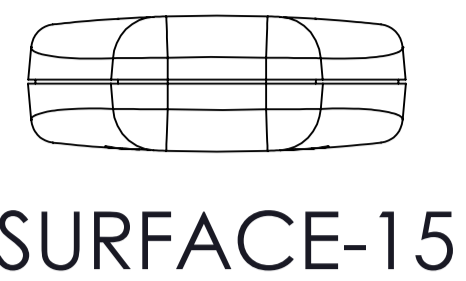


SURFACE-14

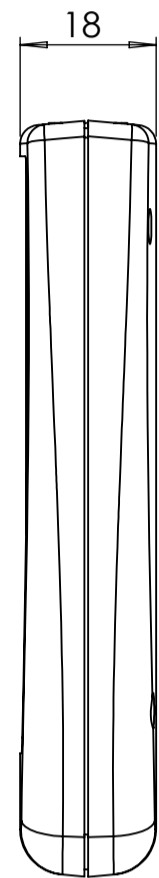


REV. NO.	DATE	REVISED BY	DESCRIPTION OF CHANGE
ALTINKAYA Electronic Enclosures & Components www.altinkaya.com			
Customer Name:		Customer Ref.:	
Altinkaya Ref.:		Part Name: HH-066	
DRAWN	NAME	DATE	Drawn From:
CHECKED	Y. YESLOZ	8.10.2024	Material:
DIMENSIONAL TOLERANCES UNLESS OTHERWISE SPECIFIED:		Weight:	SCALE 1:1 UNIT : mm
[R47.148]	±0.1	±0.1	±0.2
	±0.1	±0.2	±0.3
		±0.5	±0.5
			Dimension(mm) m(medium)

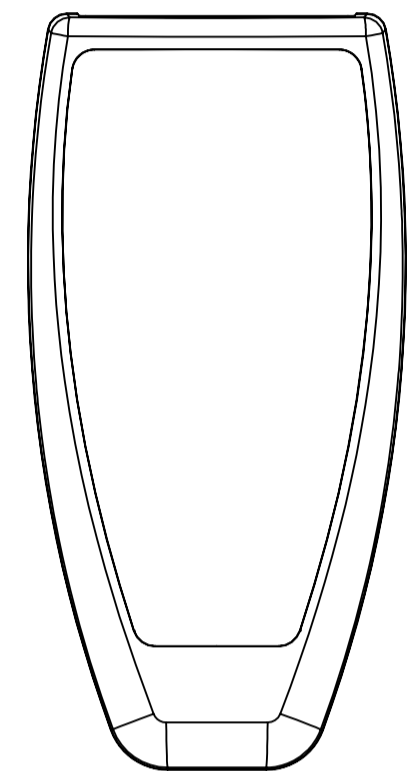
HH-066 IF MACHINED TOGETHER



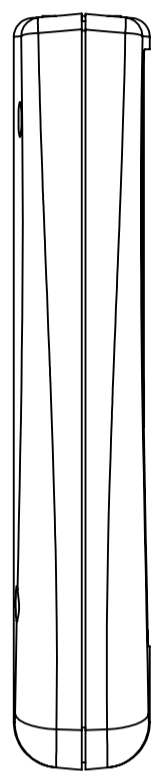
SURFACE-15



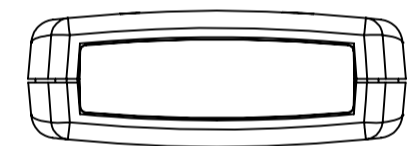
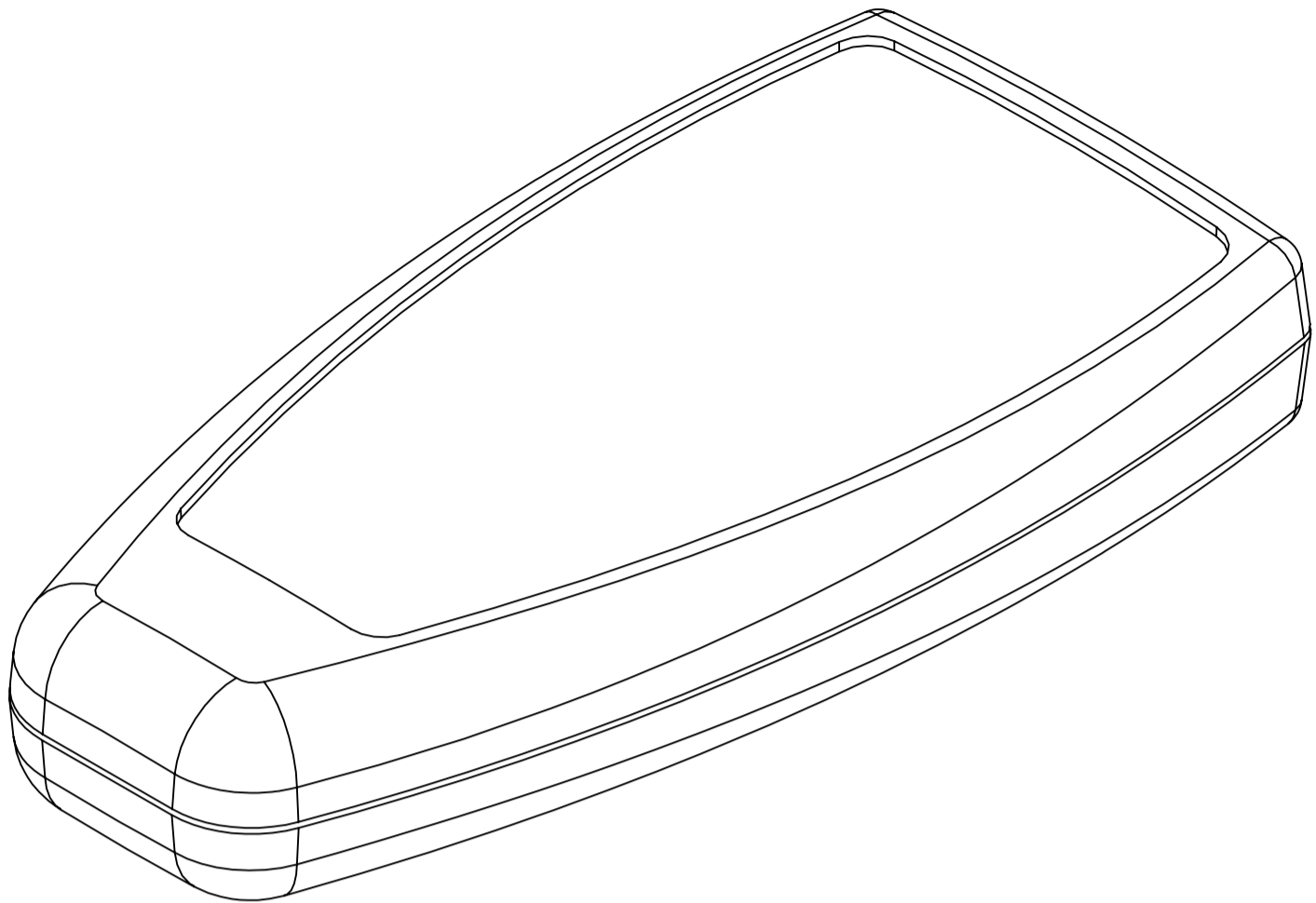
SURFACE-17



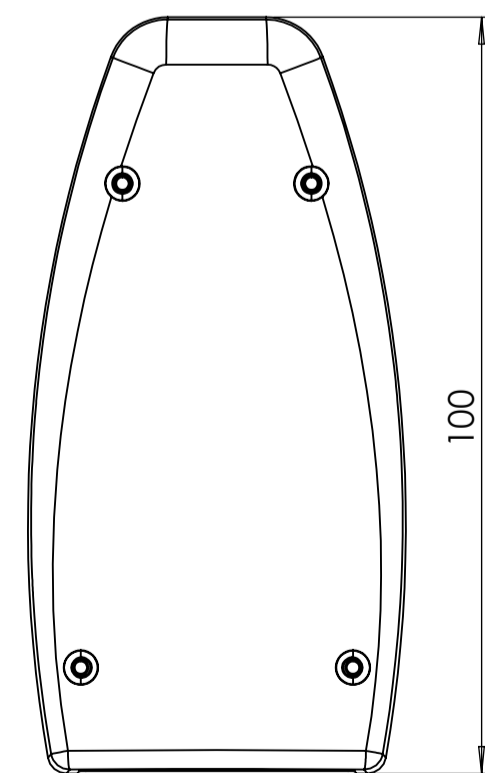
SURFACE-19



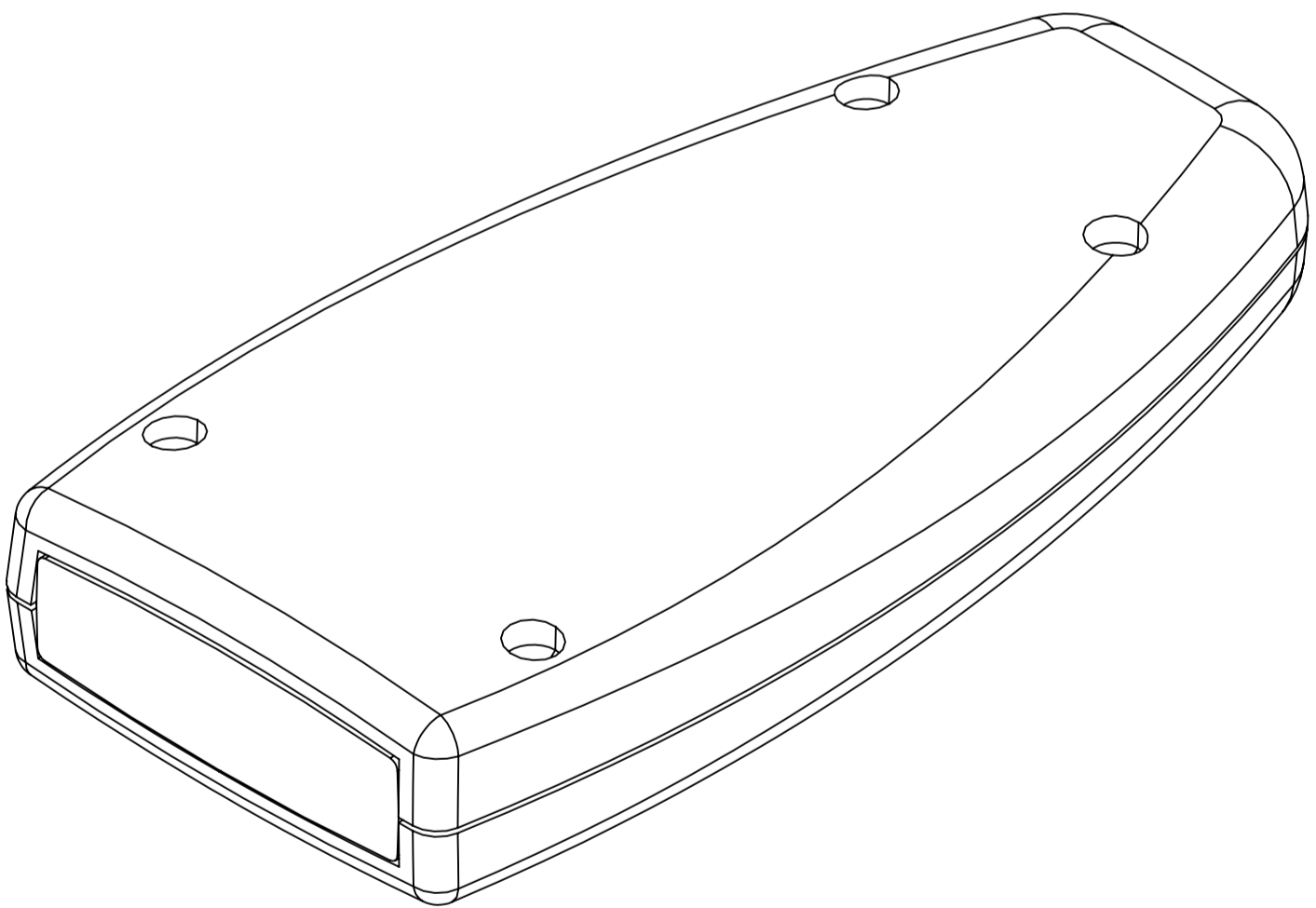
SURFACE-18



SURFACE-16



SURFACE-20



REV. NO.	DATE	REVISED BY	DESCRIPTION OF CHANGE
www.altinkaya.com			
Customer Name:		Customer Ref.:	
Altinkaya Ref.:		Part Name: HH-066	
DRAWN	NAME	DATE	Drawn From:
CHECKED	Y. YESLOZ	8.10.2024	Material:
DIMENSIONAL TOLERANCES UNLESS OTHERWISE SPECIFIED:			Weight:
[R47.148]	±0.1	±0.1	±0.2
	±0.1	±0.2	±0.3
		±0.5	
SCALE 1:1			UNIT : mm
Dimension(mm)			A1
m(medium)			1
SHEET 2 OF 2			