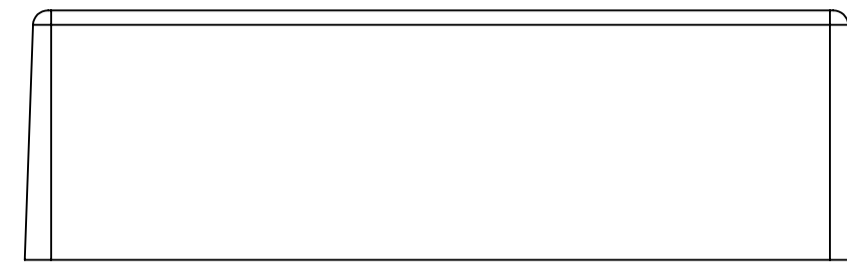
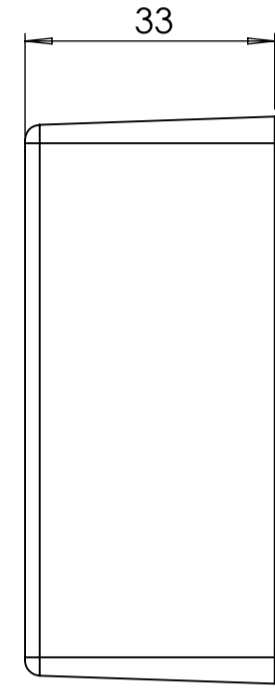


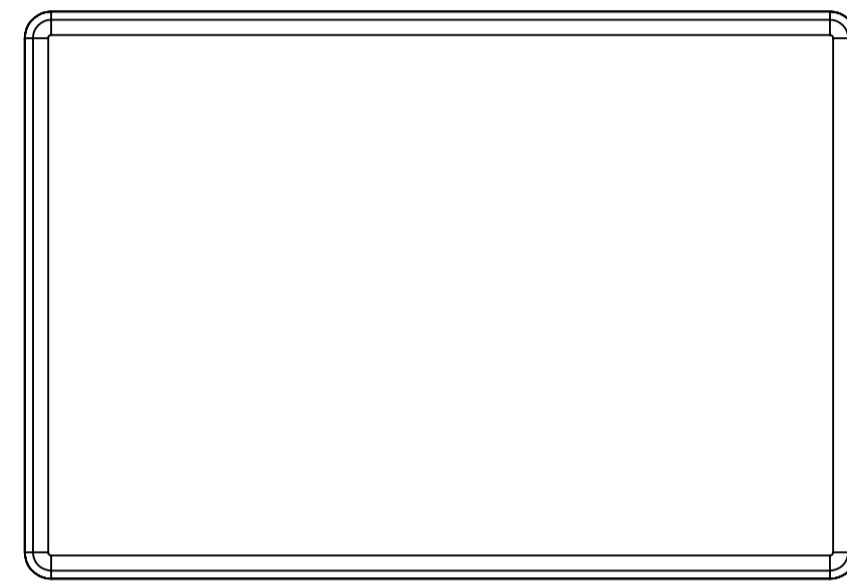
BASE: 6 SURFACE



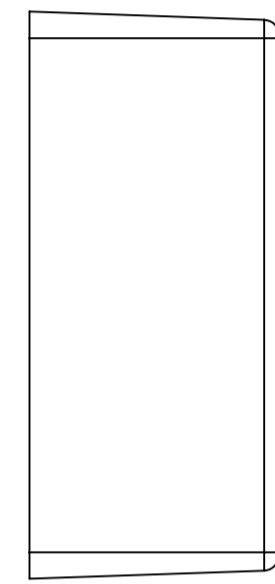
SURFACE-1



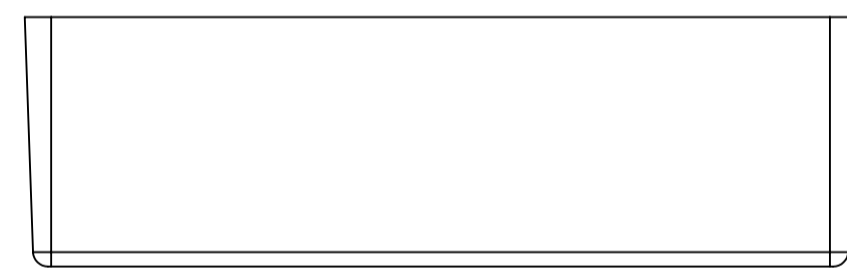
SURFACE-3



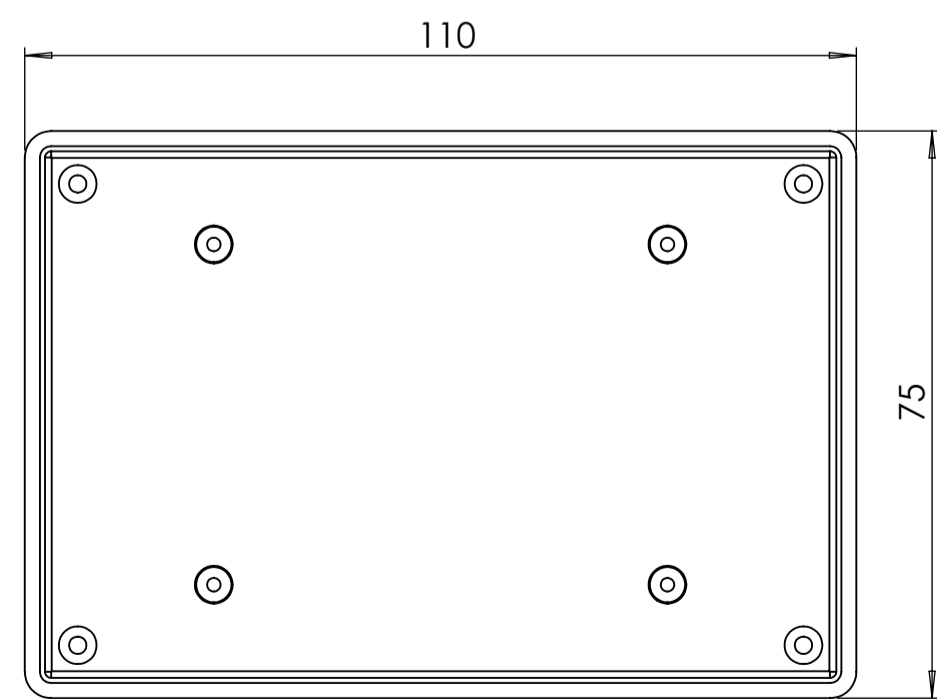
SURFACE-5



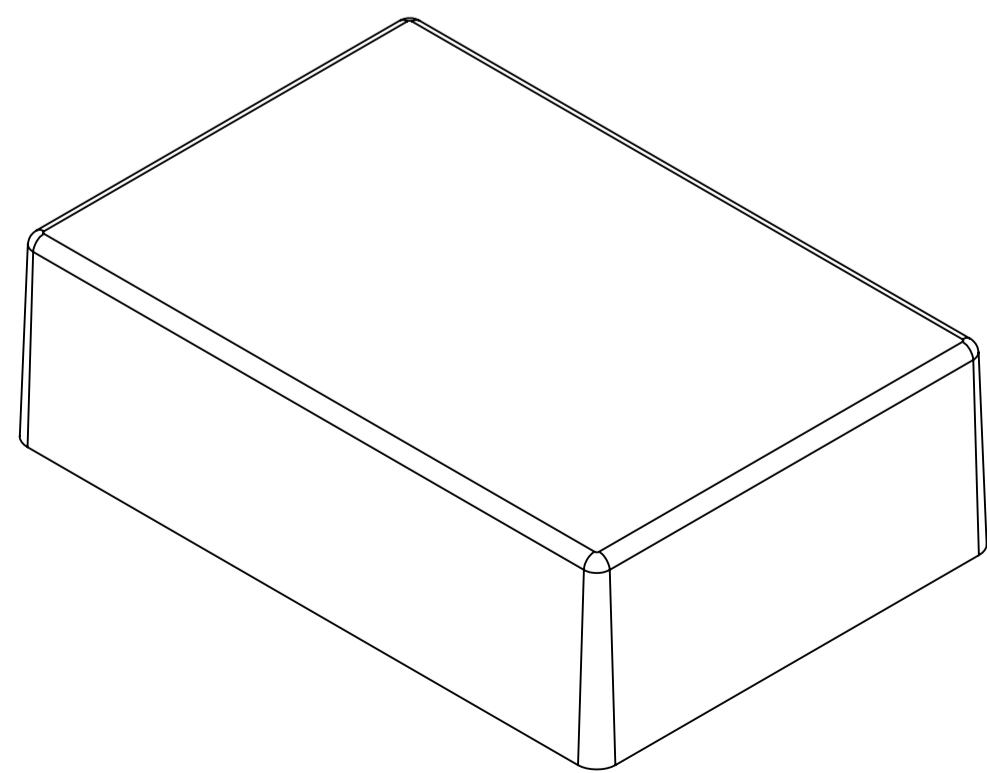
SURFACE-4



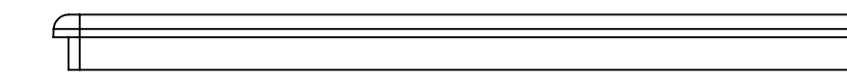
SURFACE-2



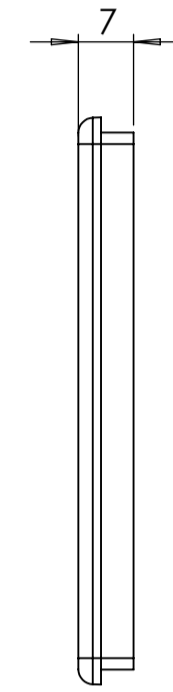
SURFACE-6 (INSIDE)



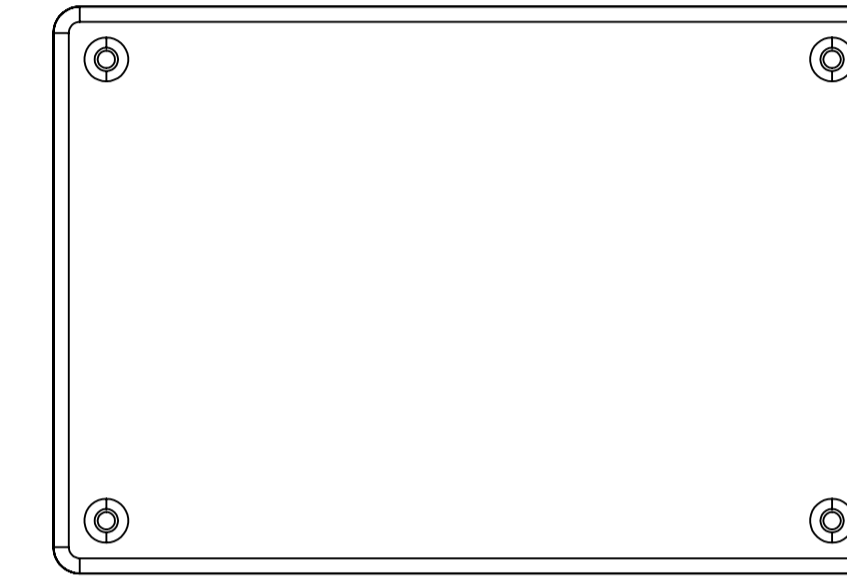
COVER: 6 SURFACE



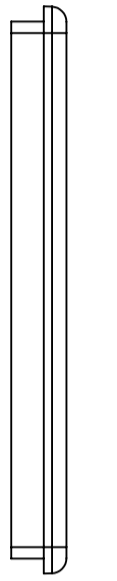
SURFACE-7



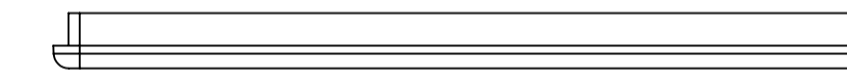
SURFACE-9



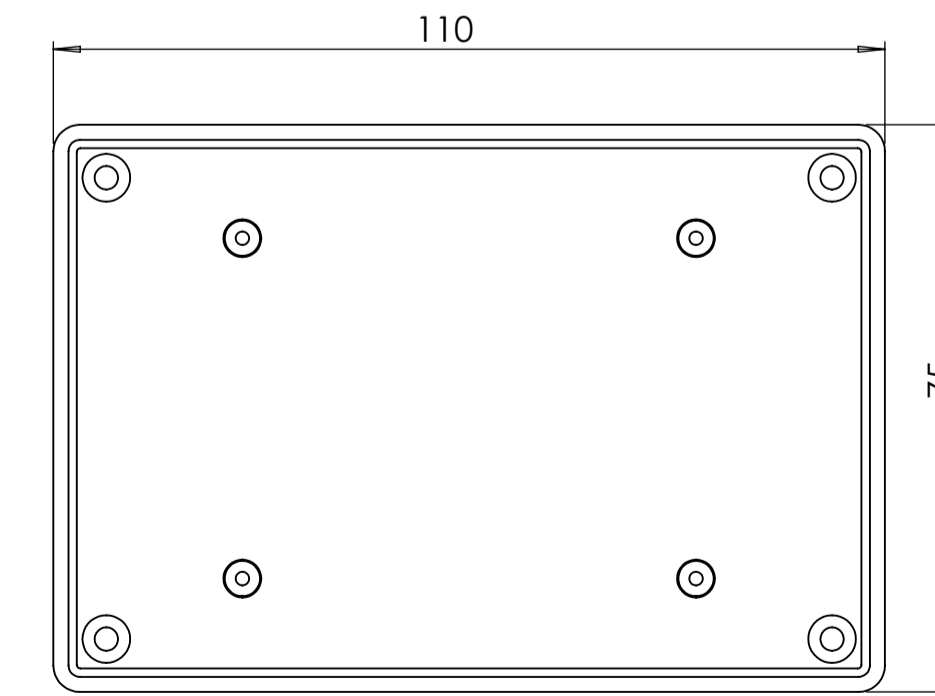
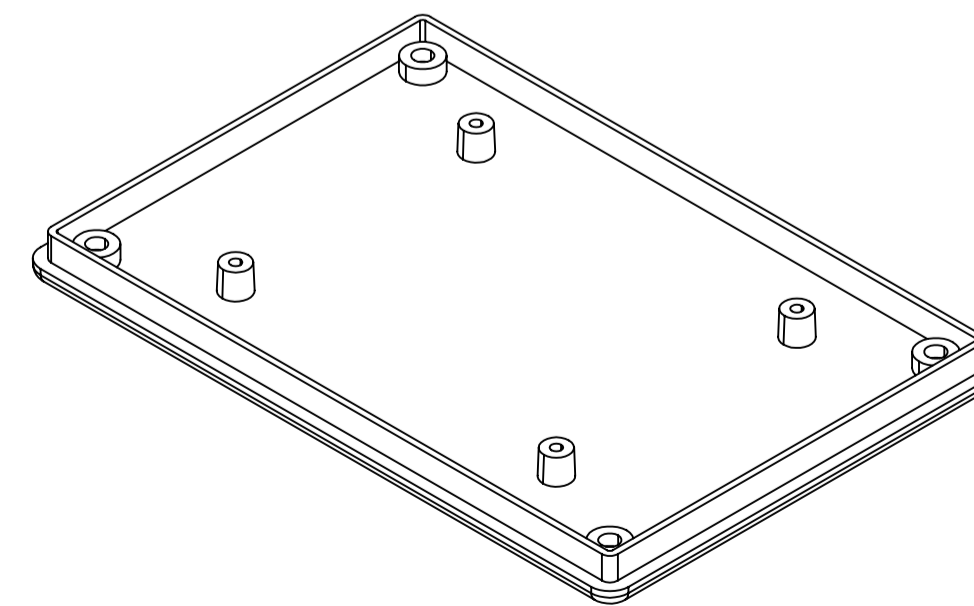
SURFACE-11



SURFACE-10



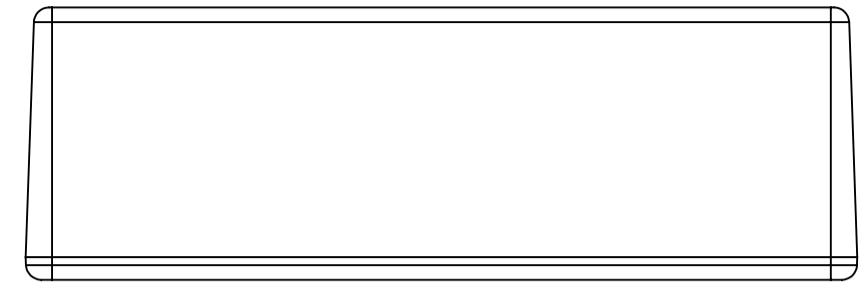
SURFACE-8



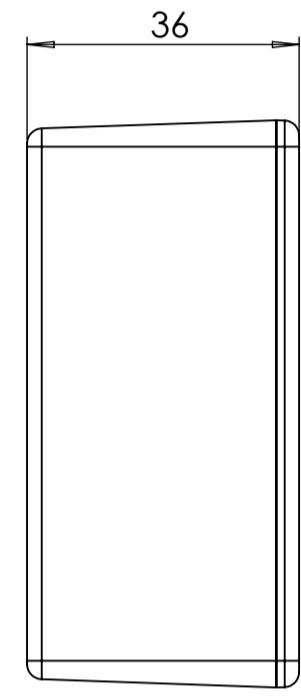
SURFACE-12 (INSIDE)

REV. NO.	DATE	REVISED BY	DESCRIPTION OF CHANGE
ALTINKAYA Electronic Enclosures & Components www.altinkaya.com			Customer Ref.:
Customer Name:	Part Name: HH-062		
Altinkaya Ref.:	NAME	DATE	Drawn From:
DRAWN	S. YESILOZ	8.10.2024	Material:
CHECKED	Y. YEL	8.10.2024	Weight:
DIMENSIONAL TOLERANCES UNLESS OTHERWISE SPECIFIED:			SCALE 1:1 UNIT : mm
(mm)	±0.1	±0.1	±0.2
(mm)	±0.1	±0.1	±0.3
(mm)	±0.1	±0.1	±0.5
(mm)	±0.1	±0.1	±0.5
(mm)	±0.1	±0.1	±0.5

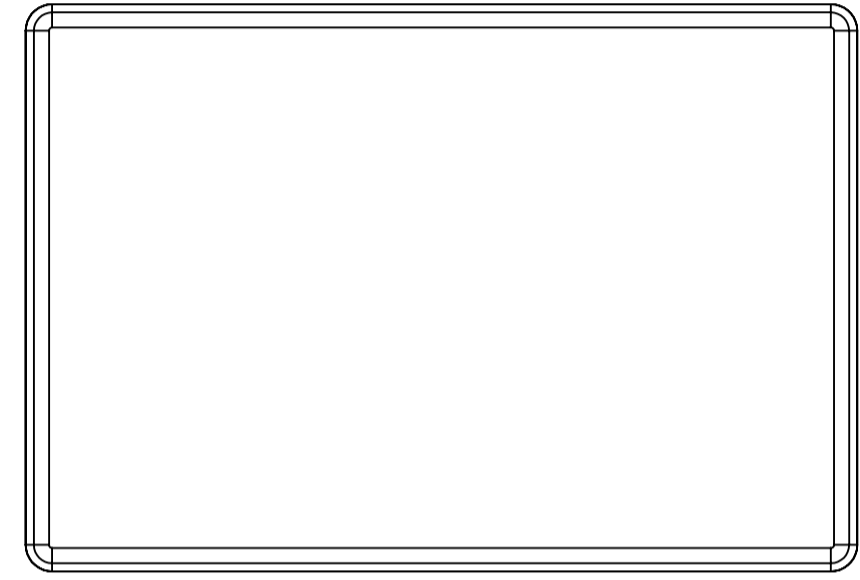
HH-062 IF MACHINED TOGETHER



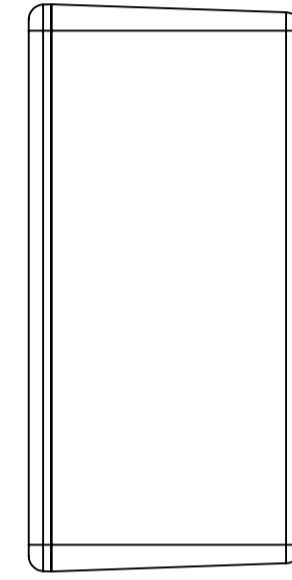
SURFACE-13



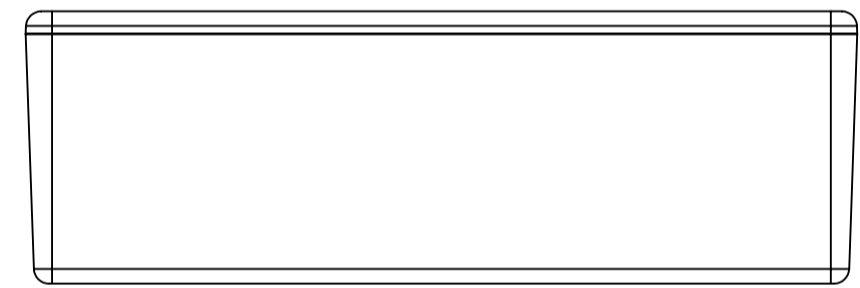
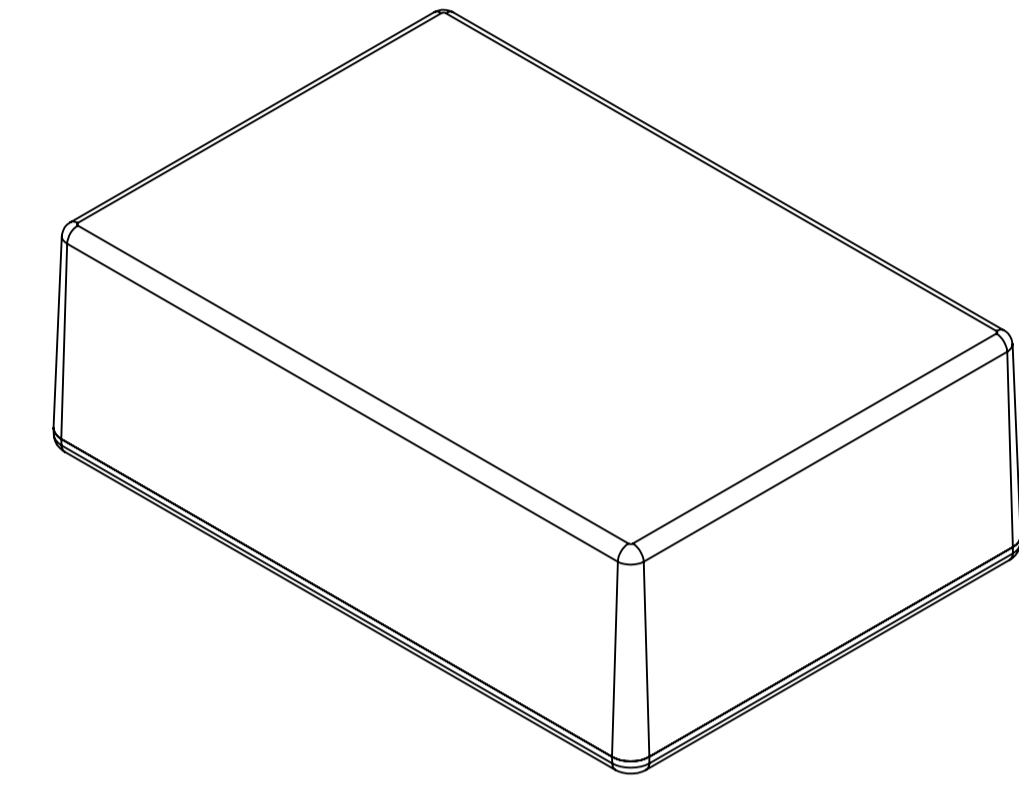
SURFACE-15



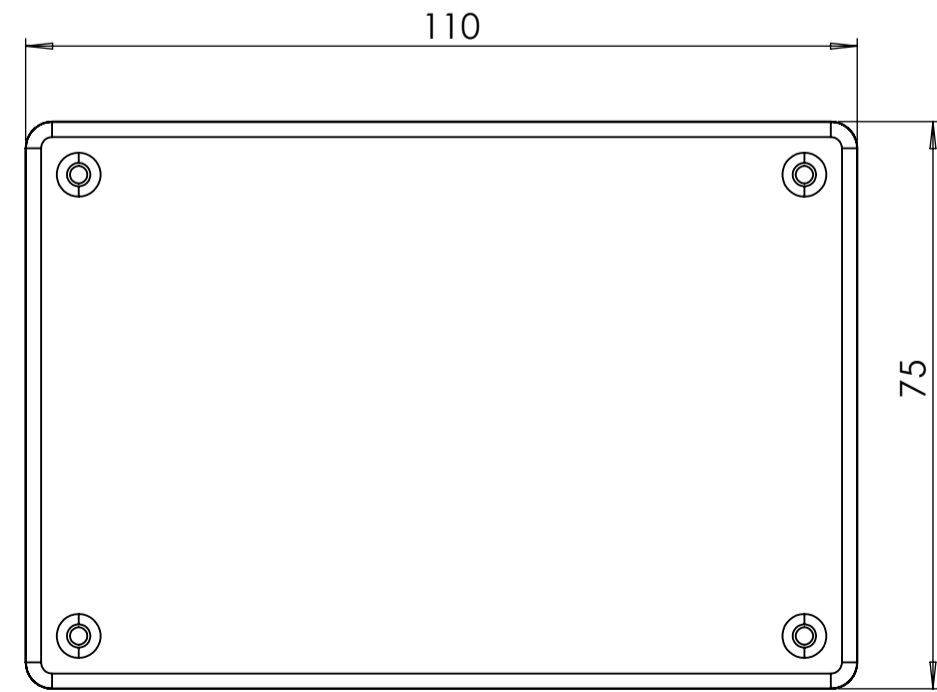
SURFACE-17



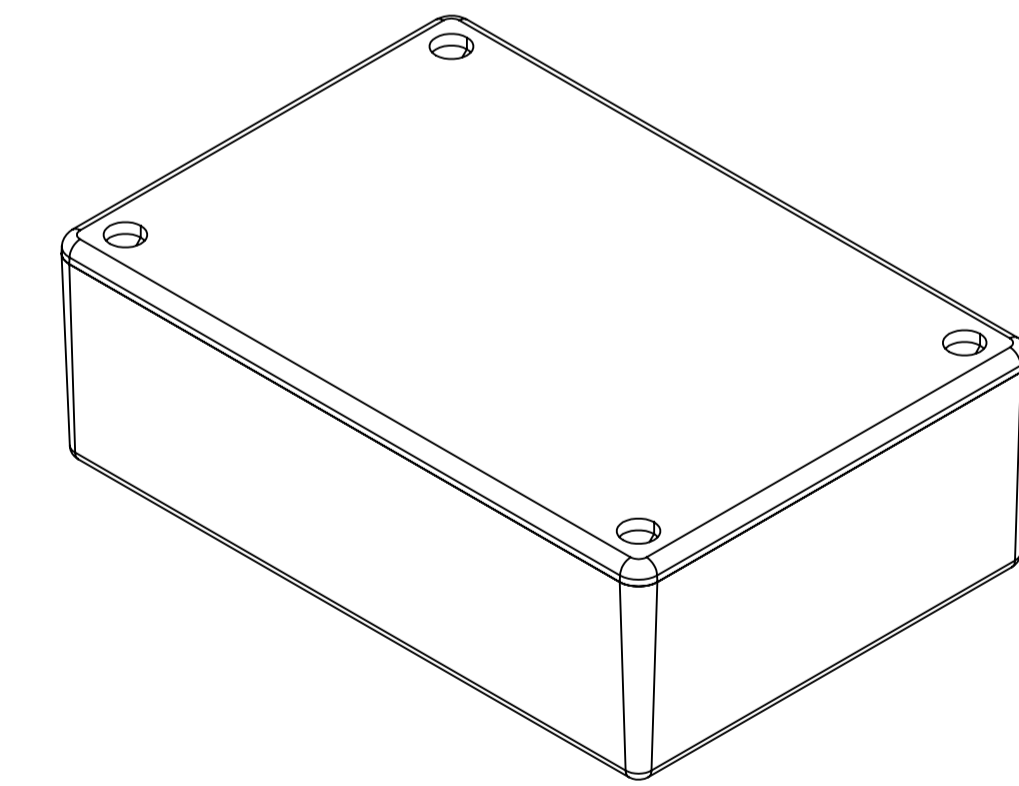
SURFACE-16



SURFACE-14



SURFACE-18



REV. NO.	DATE	REVISED BY	DESCRIPTION OF CHANGE
www.altinkaya.com			
Customer Name:		Customer Ref.:	
Altinkaya Ref.:		Part Name: HH-062	
DRAWN	NAME	DATE	Drawn From:
CHECKED	Y. YESLOZ	8.10.2024	Material:
DIMENSIONAL TOLERANCES UNLESS OTHERWISE SPECIFIED:			Weight:
(mm)	±0.1	±0.1	±0.2
	±0.1	±0.2	±0.3
		±0.5	
SCALE: 1:1			UNIT: mm
DIMENSIONAL TOLERANCES UNLESS OTHERWISE SPECIFIED:			Dimension(mm)
			m(medium)
SHEET 2 OF 2			A1