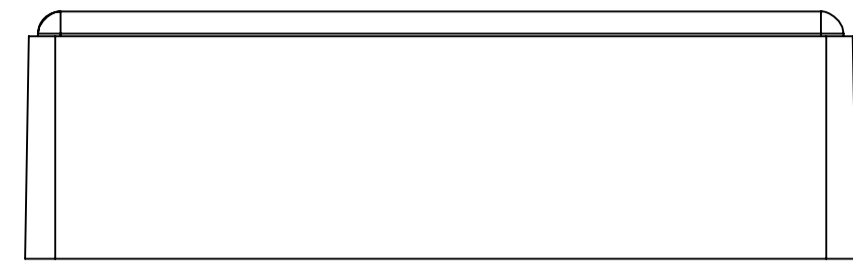
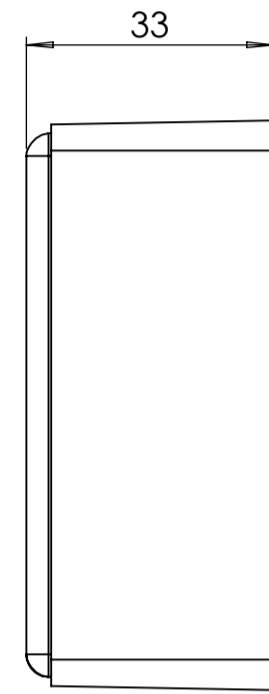


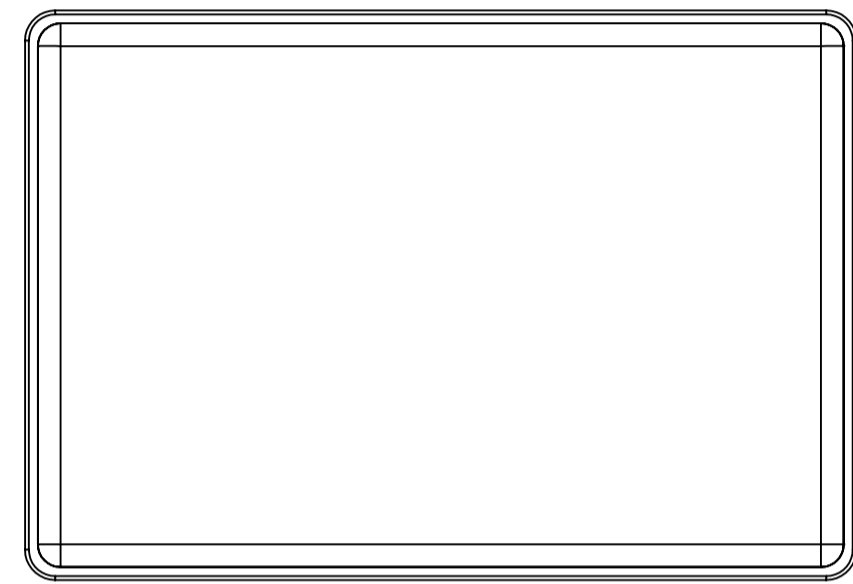
BASE: 6 SURFACE



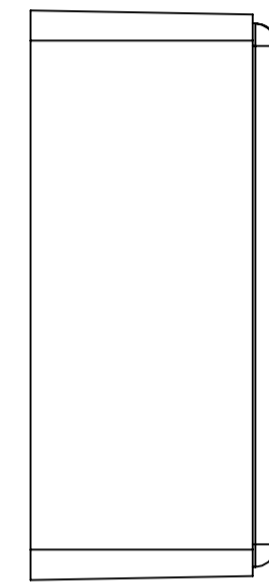
SURFACE-1



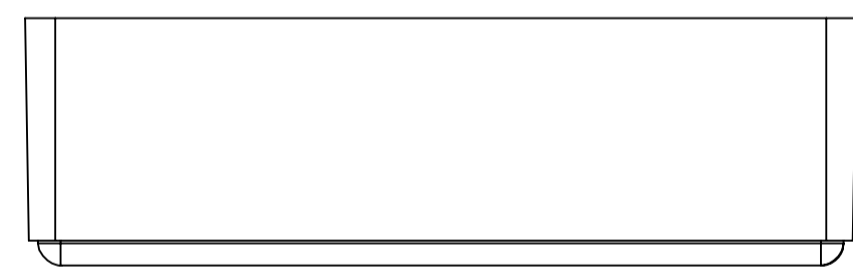
SURFACE-3



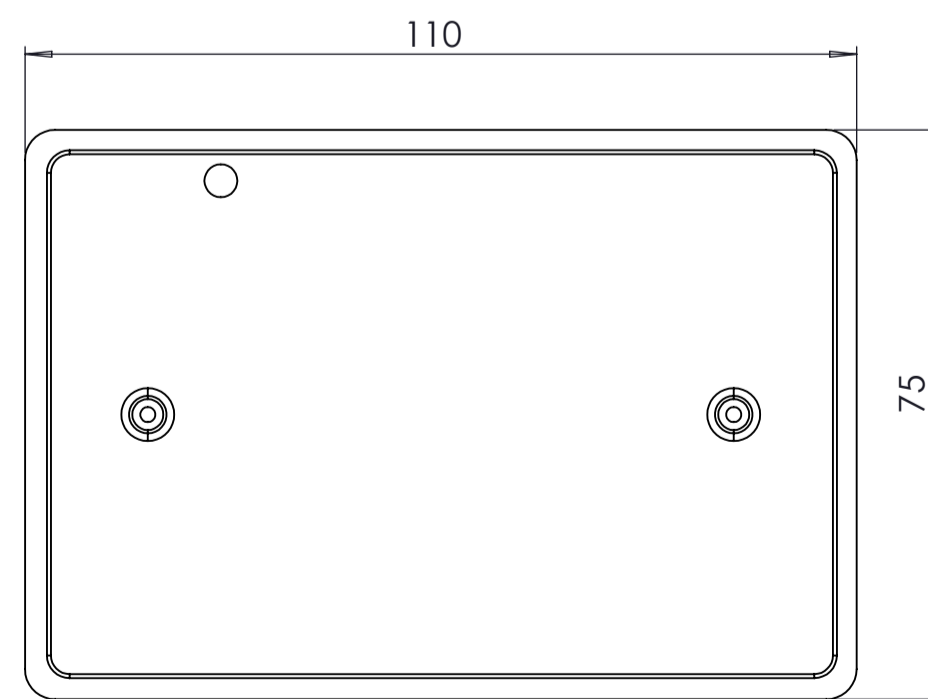
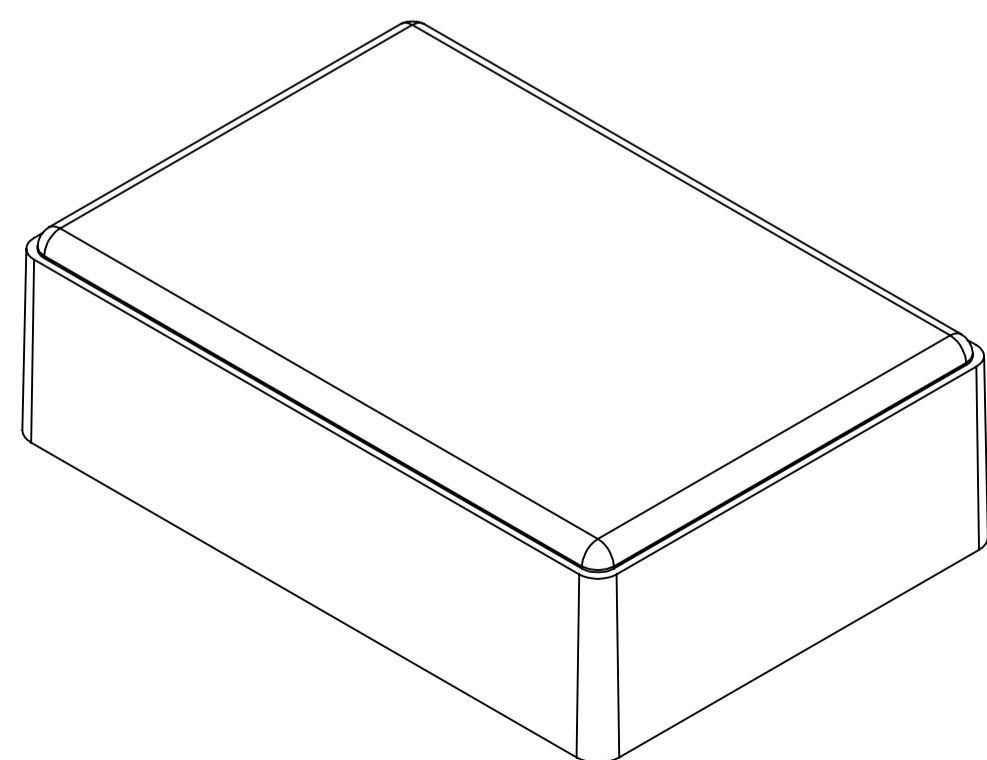
SURFACE-5



SURFACE-4

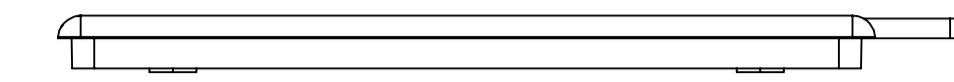


SURFACE-2

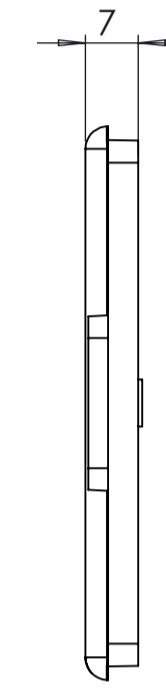


SURFACE-6 (INSIDE)

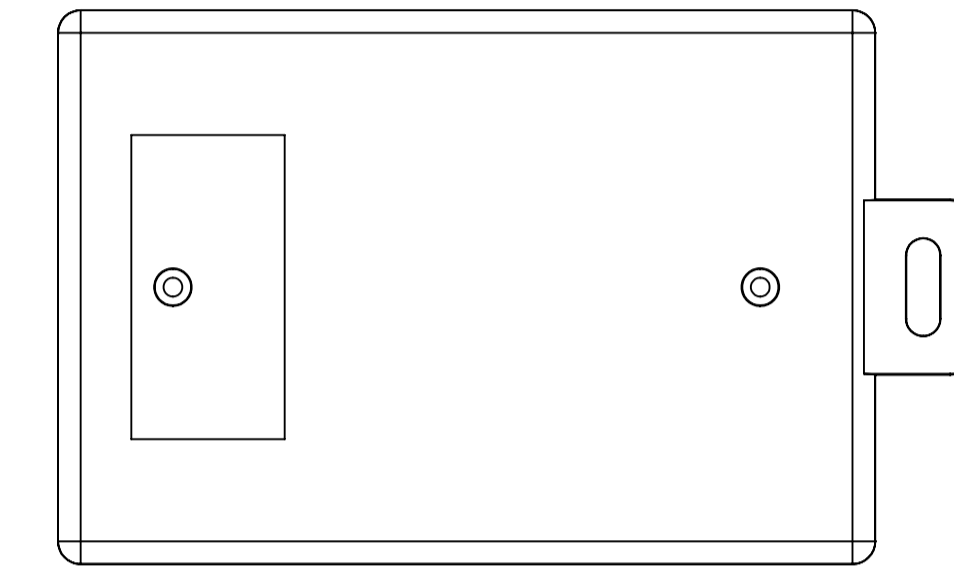
COVER: 6 SURFACE



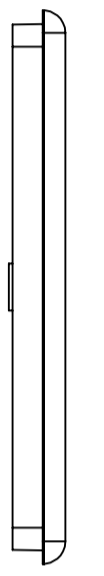
SURFACE-7



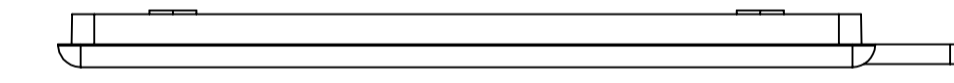
SURFACE-9



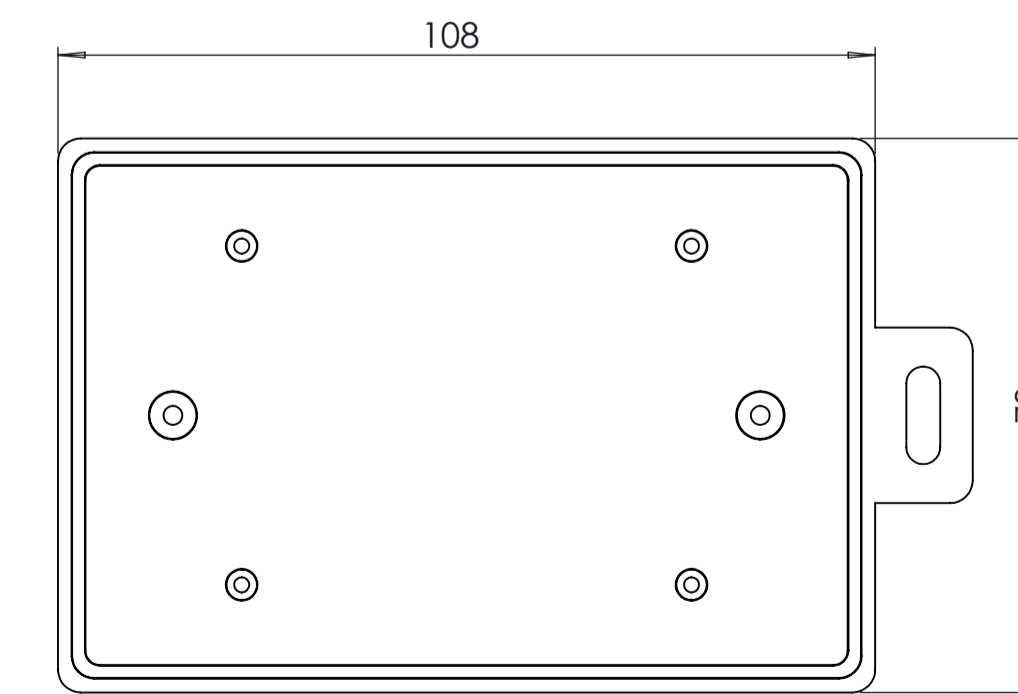
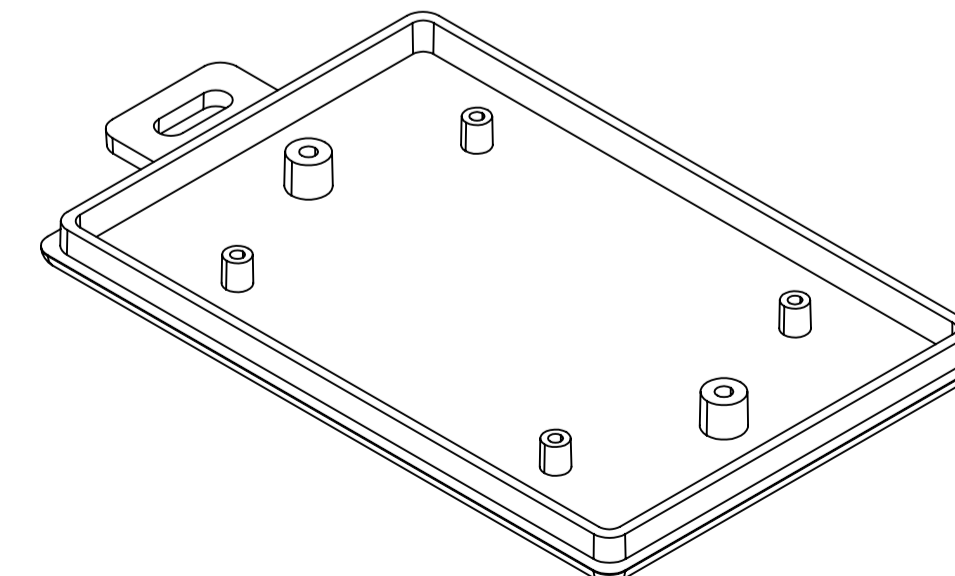
SURFACE-11



SURFACE-10



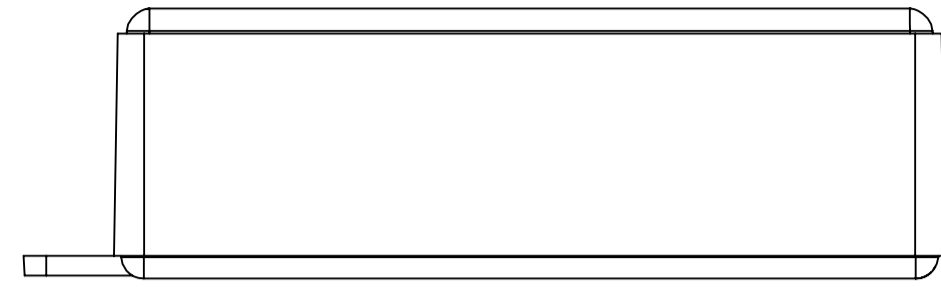
SURFACE-8



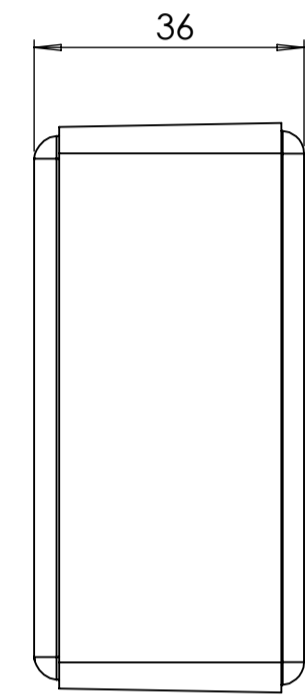
SURFACE-12 (INSIDE)

REV. NO.	DATE	REVISED BY	DESCRIPTION OF CHANGE
ALTINKAYA Electronic Enclosures & Components www.altinkaya.com			
Customer Name:		Customer Ref.:	
Altinkaya Ref.:		Part Name: HH-060-A	
DRAWN	NAME	DATE	Drawn From:
CHECKED	Y. YESLOZ	8.10.2024	Material:
Dimensional Tolerances:			SCALE 1:1 UNIT : mm
UNLESS OTHERWISE SPECIFIED:			Dimension(mm)
±0.1	±0.1	±0.2	±0.3
±0.5			

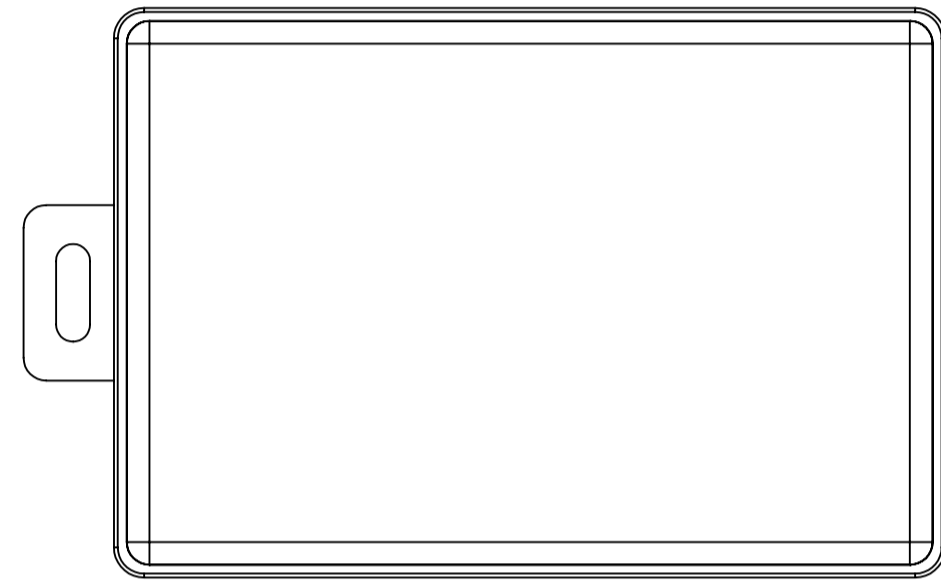
HH-060-A IF MACHINED TOGETHER



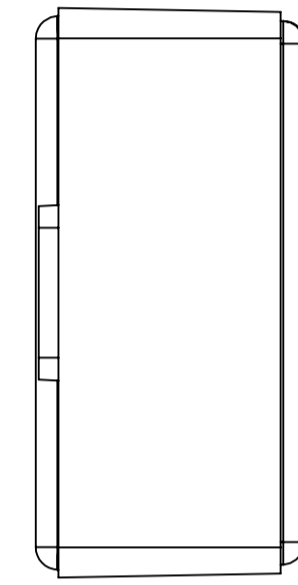
SURFACE-13



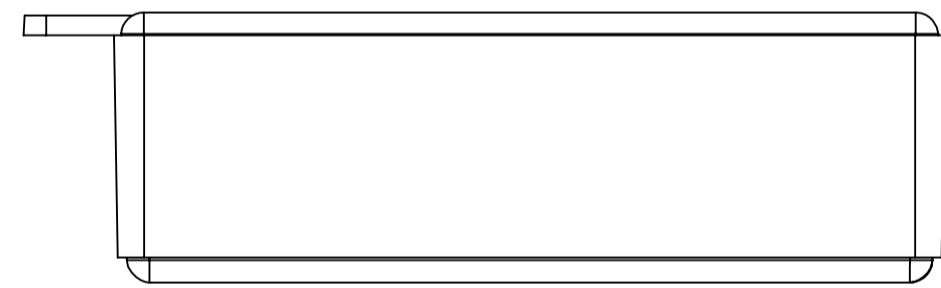
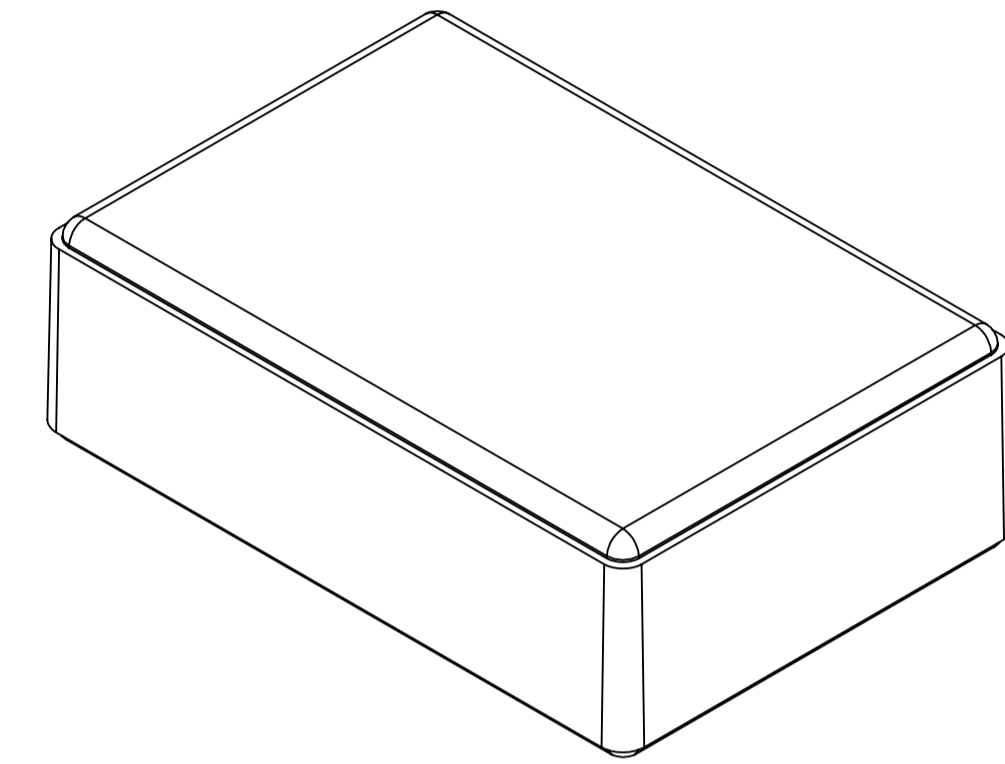
SURFACE-15



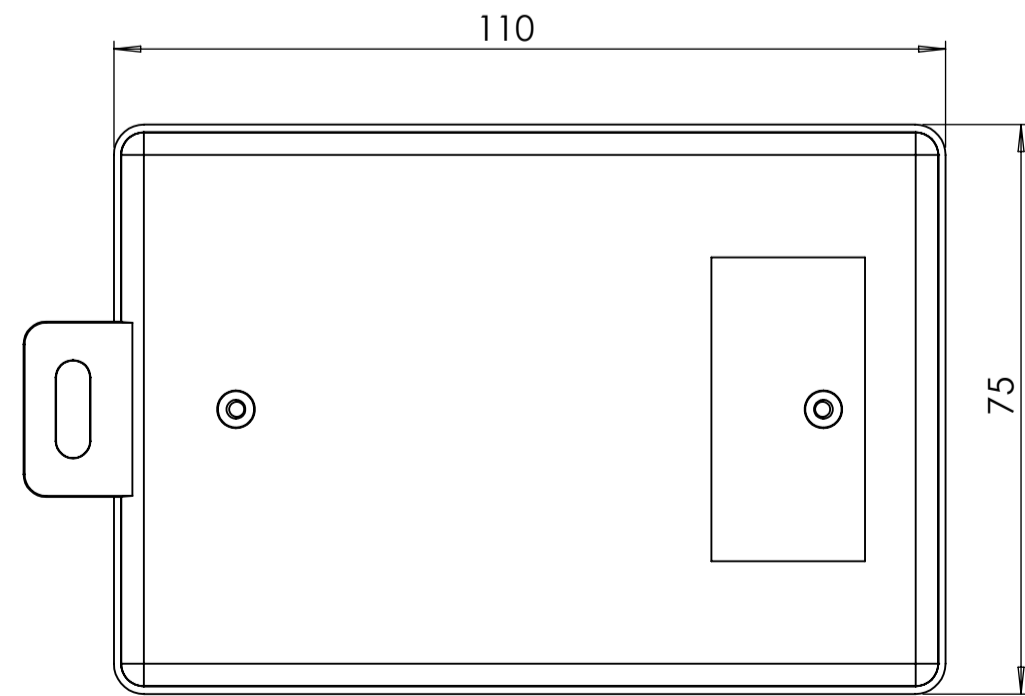
SURFACE-17



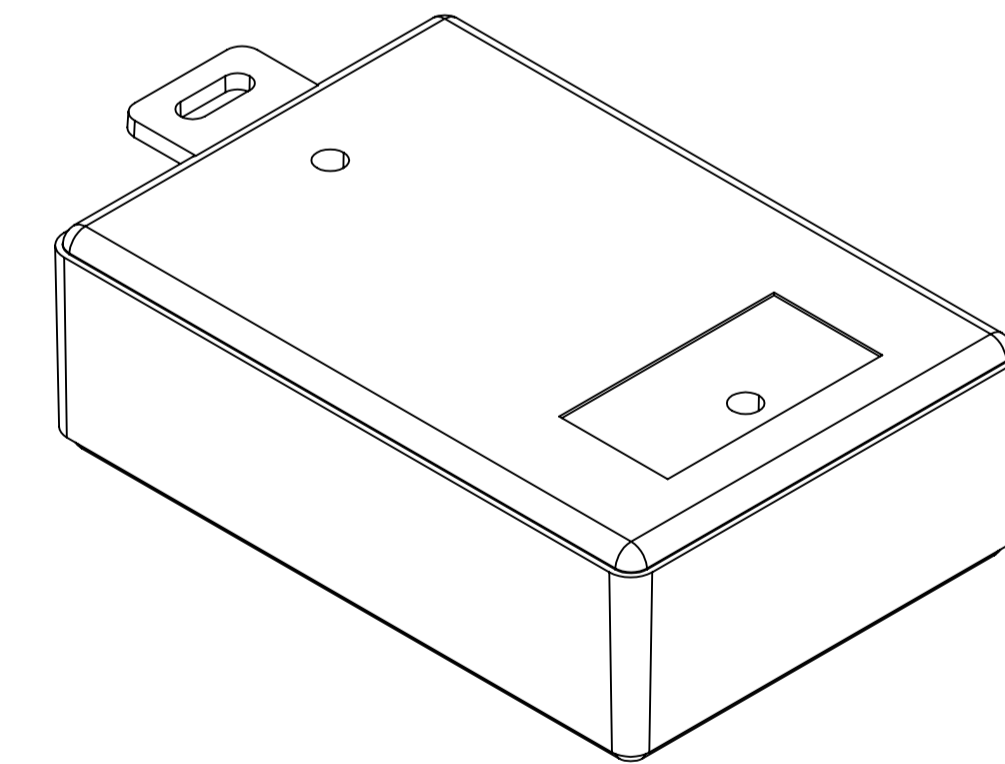
SURFACE-16



SURFACE-14



SURFACE-18



REV. NO.	DATE	REVISED BY	DESCRIPTION OF CHANGE
www.altinkaya.com			
Customer Name:		Customer Ref.:	
Altinkaya Ref.:		Part Name: HH-060-A	
DRAWN	NAME	DATE	Drawn From:
CHECKED	Y. YESLOZ	8.10.2024	Material:
DIMENSIONAL TOLERANCES UNLESS OTHERWISE SPECIFIED:			Weight:
(mm)	±0.1	±0.1	±0.2
	3-6mm	6-30mm	30-120mm
		120-400mm	
			±0.5
SCALE: 1:1			UNIT: mm
Dimension (mm)			A1
m (medium)			1
SHEET 2 OF 2			