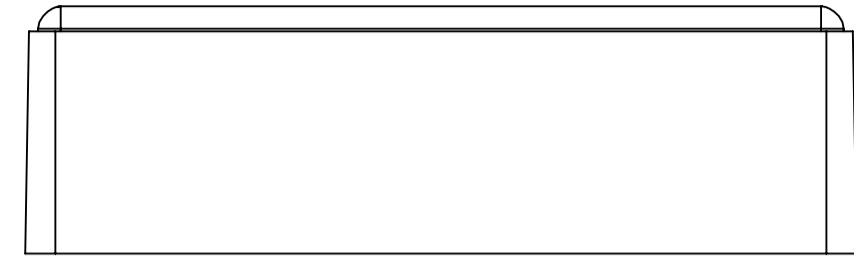
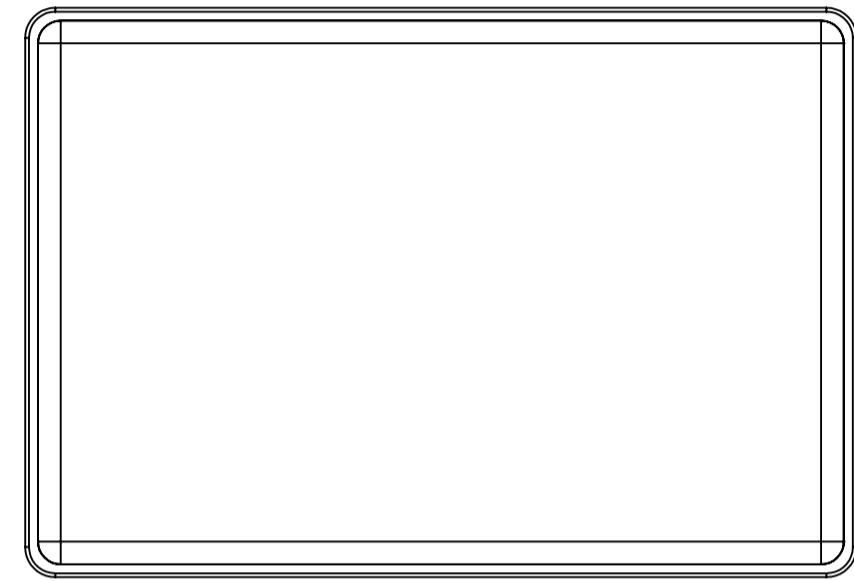


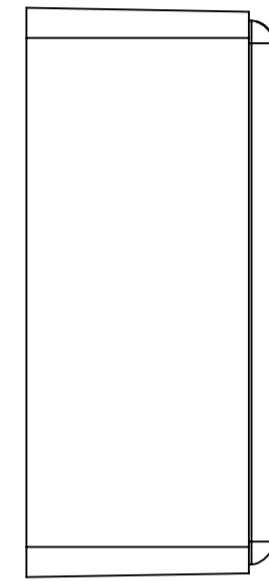
BASE: 6 SURFACE



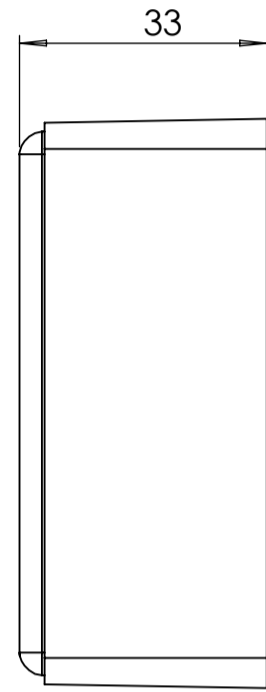
SURFACE-1



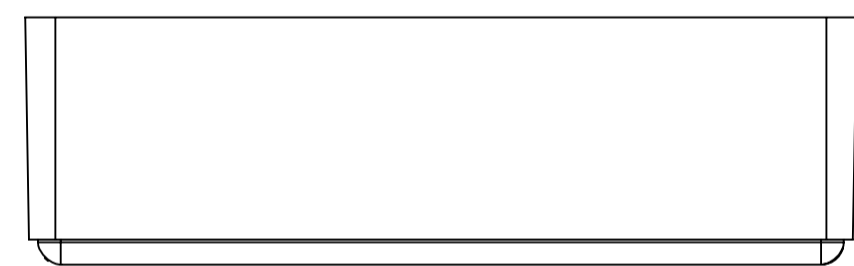
SURFACE-5



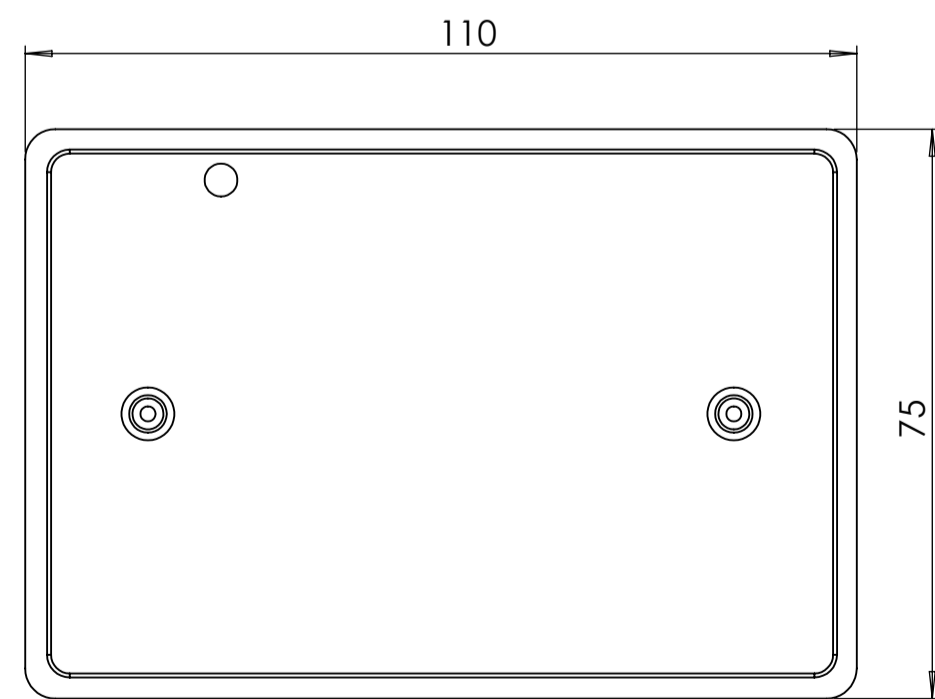
SURFACE-4



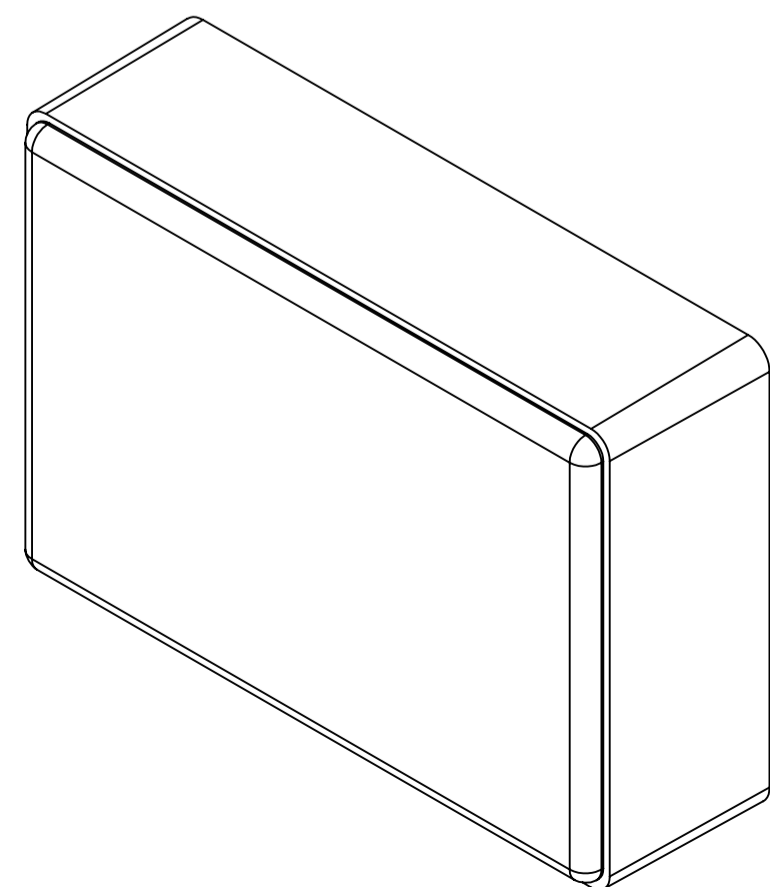
SURFACE-3



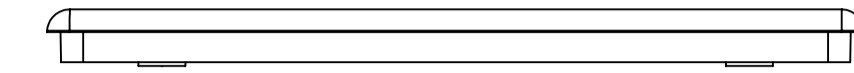
SURFACE-2



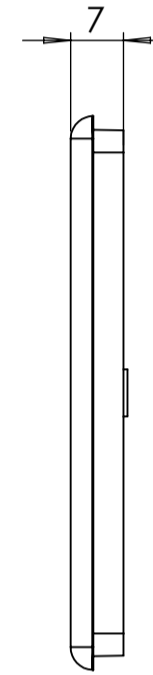
SURFACE-6 (INSIDE)



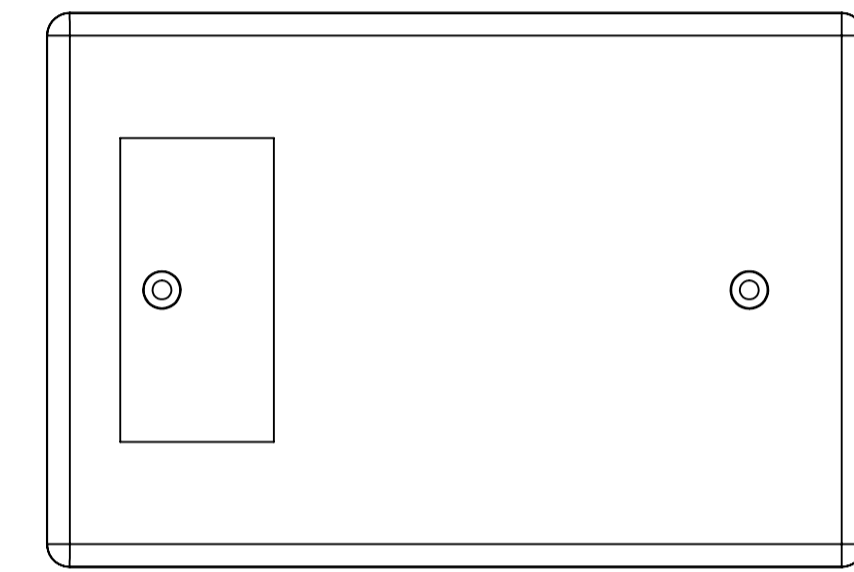
COVER: 6 SURFACE



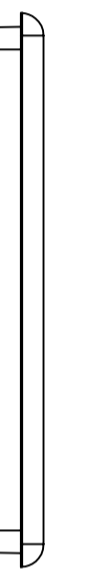
SURFACE-7



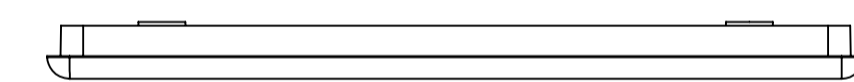
SURFACE-9



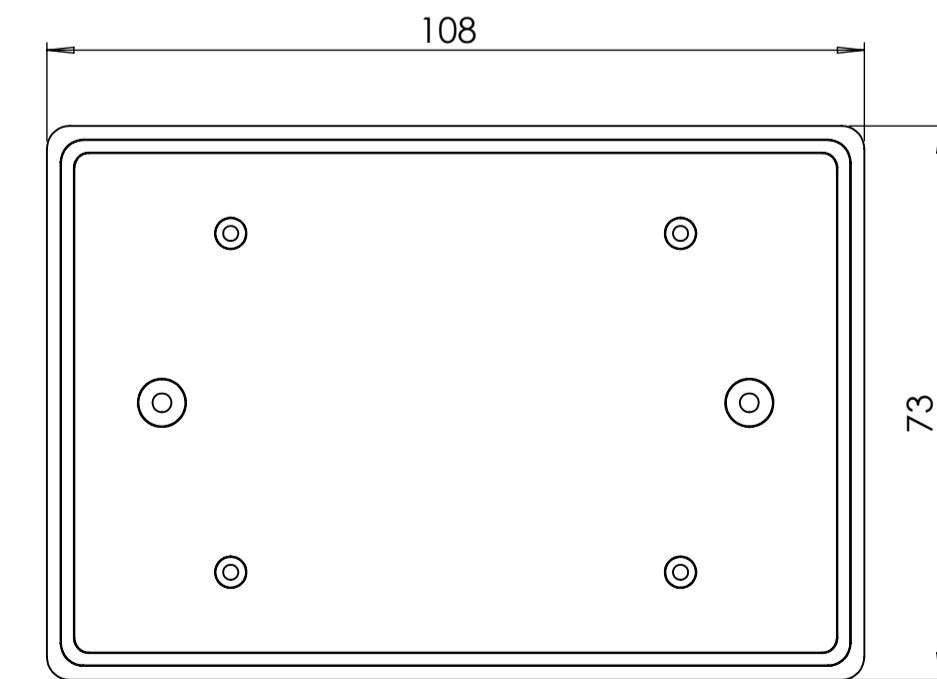
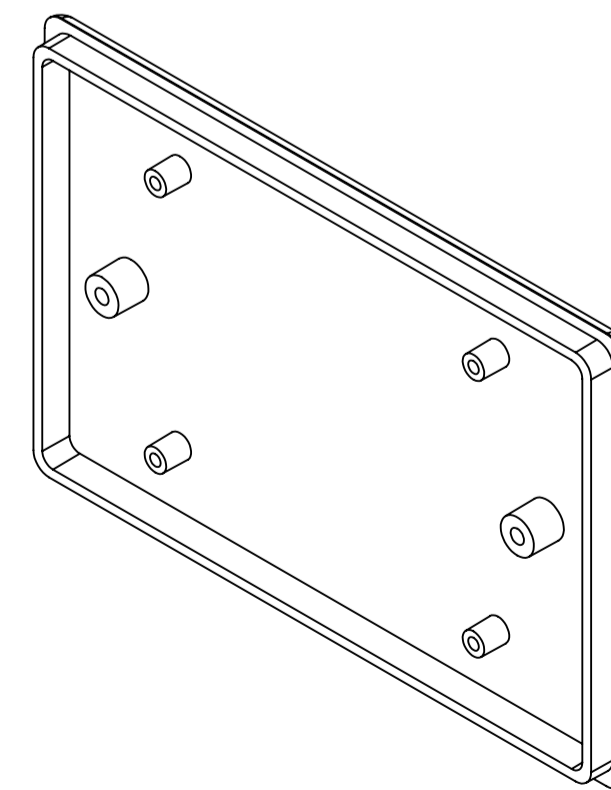
SURFACE-11




SURFACE-10



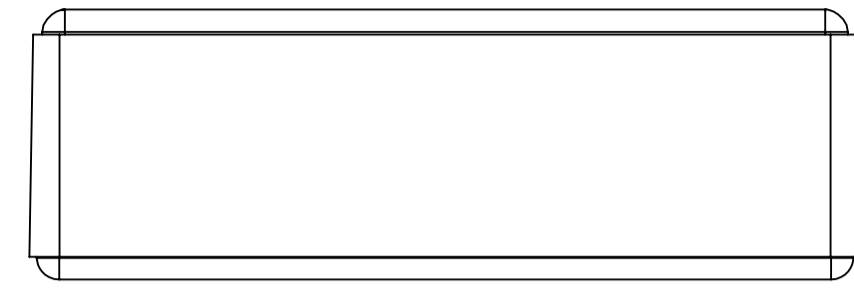
SURFACE-8



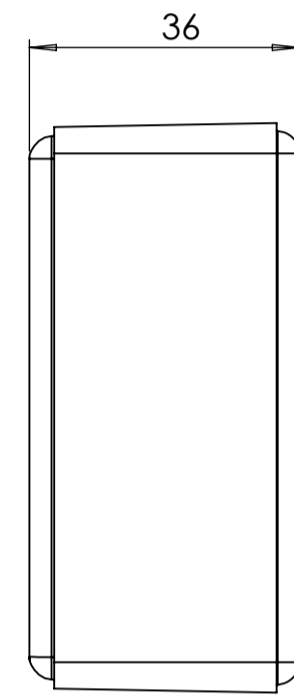
SURFACE-12 (INSIDE)

REV. NO.	DATE	REVISED BY	DESCRIPTION OF CHANGE
 ALTINKAYA Electronic Enclosures & Components www.altinkaya.com			
Customer Name:		Customer Ref.:	
Altinkaya Ref.:		Part Name: HH-060	
DRAWN	NAME	DATE	Drawn From:
CHECKED	Y. YESILOZ	8.10.2024	Material:
DIMENSIONAL TOLERANCES UNLESS OTHERWISE SPECIFIED:		0.5-3mm	3-6mm
		±0.1	±0.1 ±0.2 ±0.3 ±0.5
SCALE 1:1			UNIT : mm
Dimension(mm)			A1
m(medium)			1
SHEET 1 OF 2			

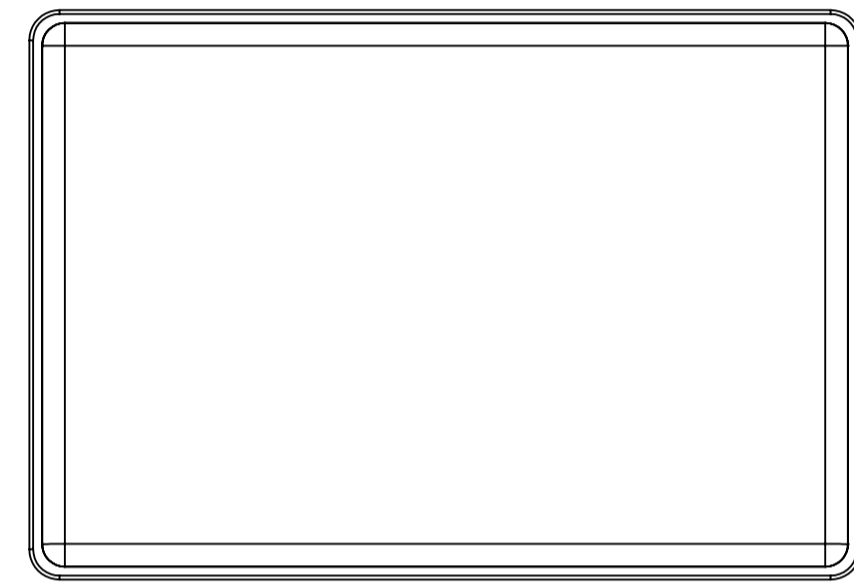
HH-060 IF MACHINED TOGETHER



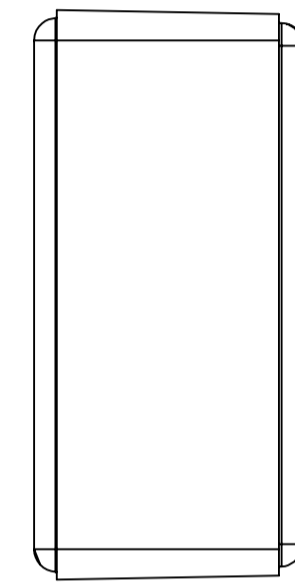
SURFACE-13



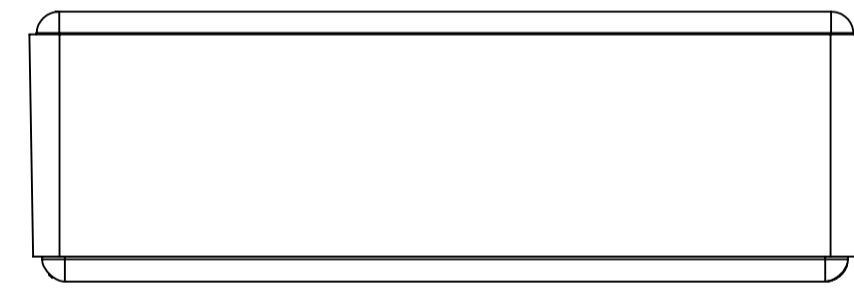
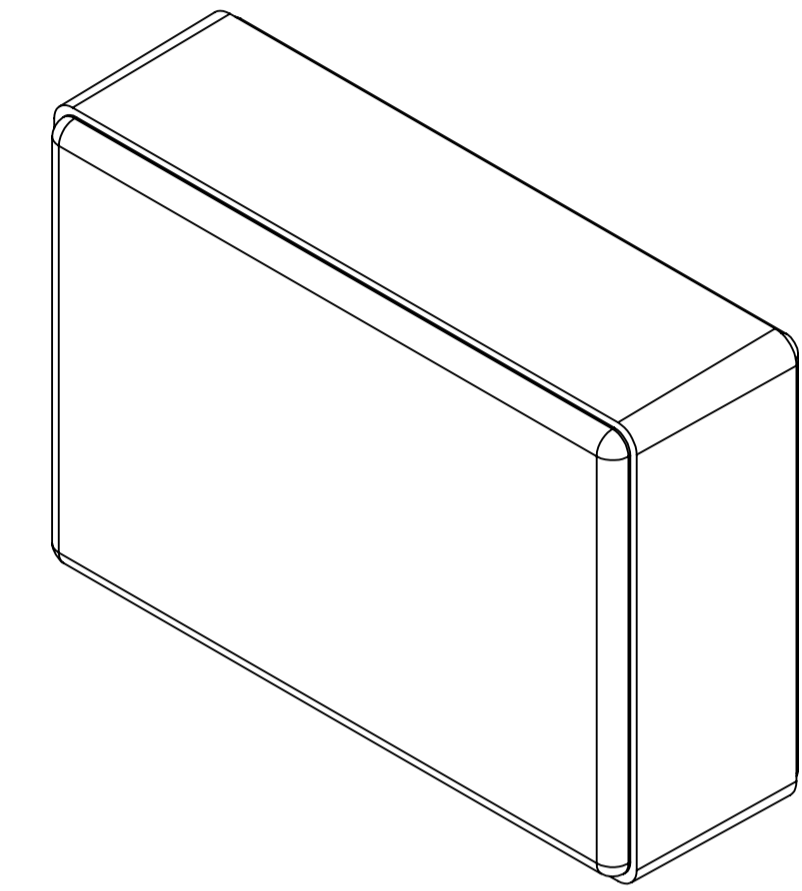
SURFACE-15



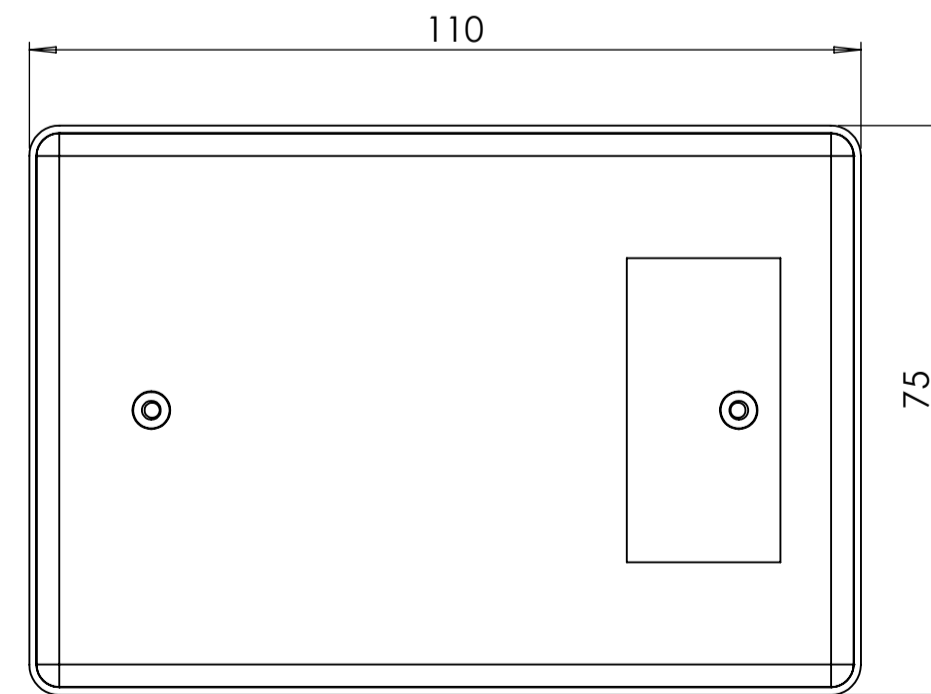
SURFACE-17



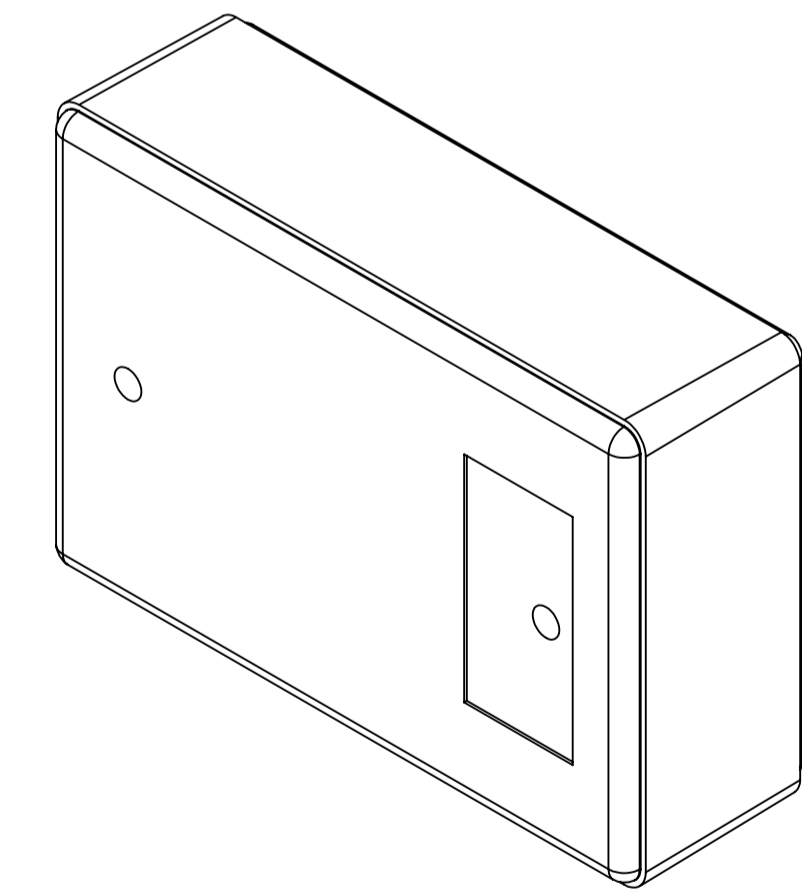
SURFACE-16



SURFACE-14



SURFACE-18



REV. NO.	DATE	REVISED BY	DESCRIPTION OF CHANGE
www.altinkaya.com			
Customer Name:		Customer Ref.:	
Altinkaya Ref.:		Part Name: HH-060	
DRAWN	NAME	DATE	Drawn From:
CHECKED	Y. YESLOZ	8.10.2024	Material:
DIMENSIONAL TOLERANCES UNLESS OTHERWISE SPECIFIED:			Weight:
(mm)	±0.1	±0.1	±0.2
	3-6mm	6-30mm	30-120mm
			120-400mm
			Dimension(mm)
			m(medium)
			SCALE 1:1 UNIT : mm
			1 2 3 4 5 6 7 8 9 10 11 12 13 14 15 16
			A1 SHEET 2 OF 2