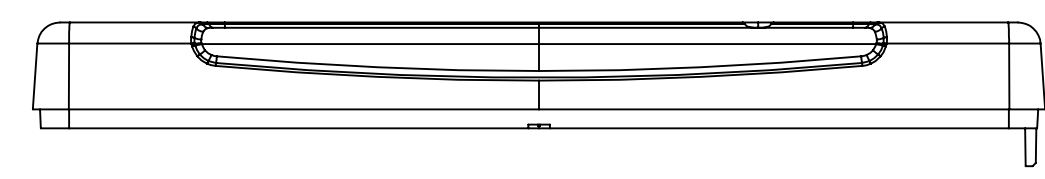
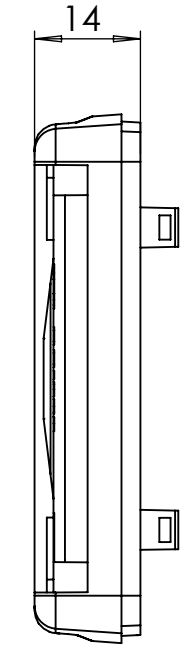


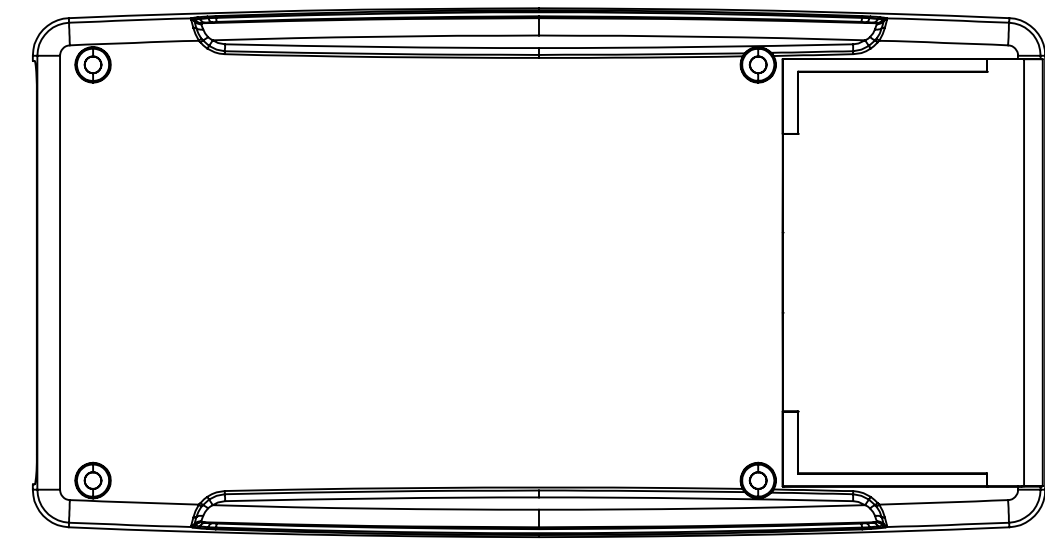
BASE: 6 SURFACE



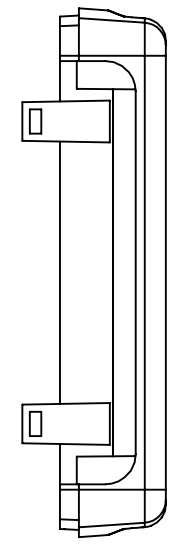
SURFACE-1



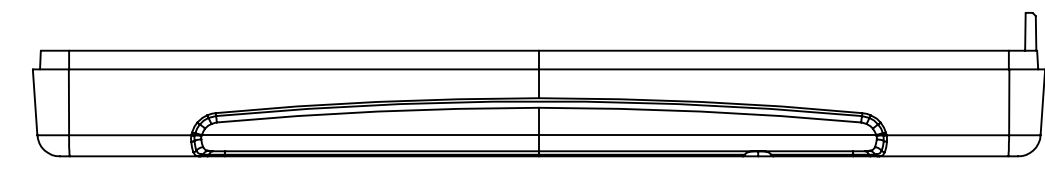
SURFACE-3



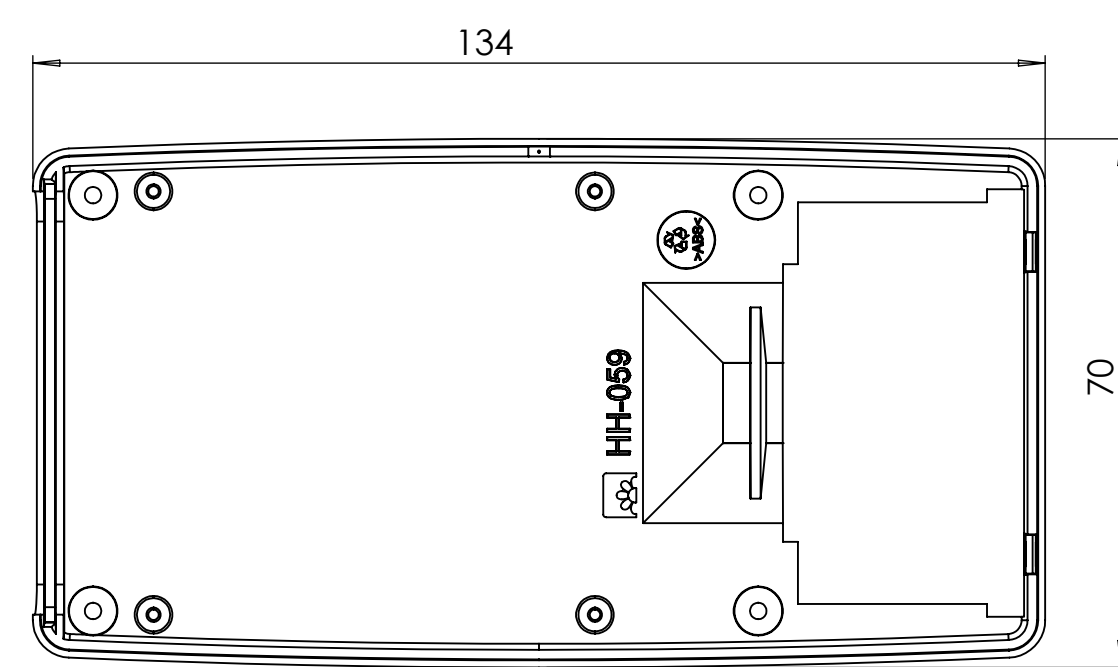
SURFACE-5



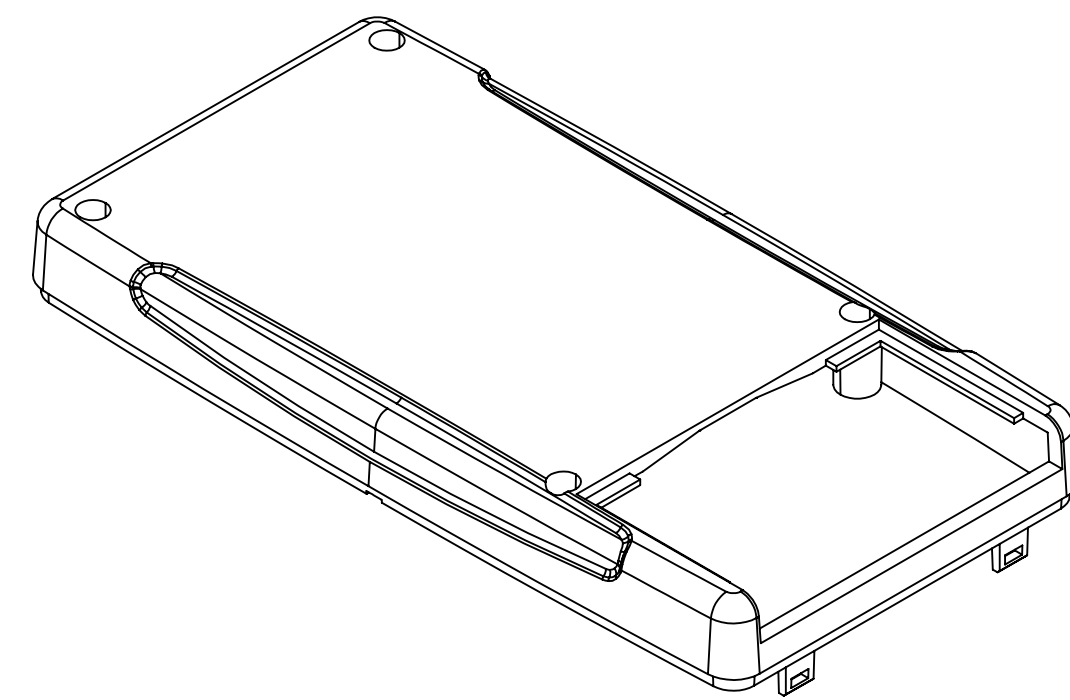
SURFACE-4



SURFACE-2



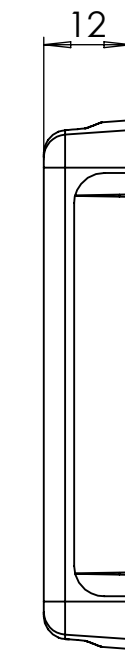
SURFACE-6 (INSIDE)



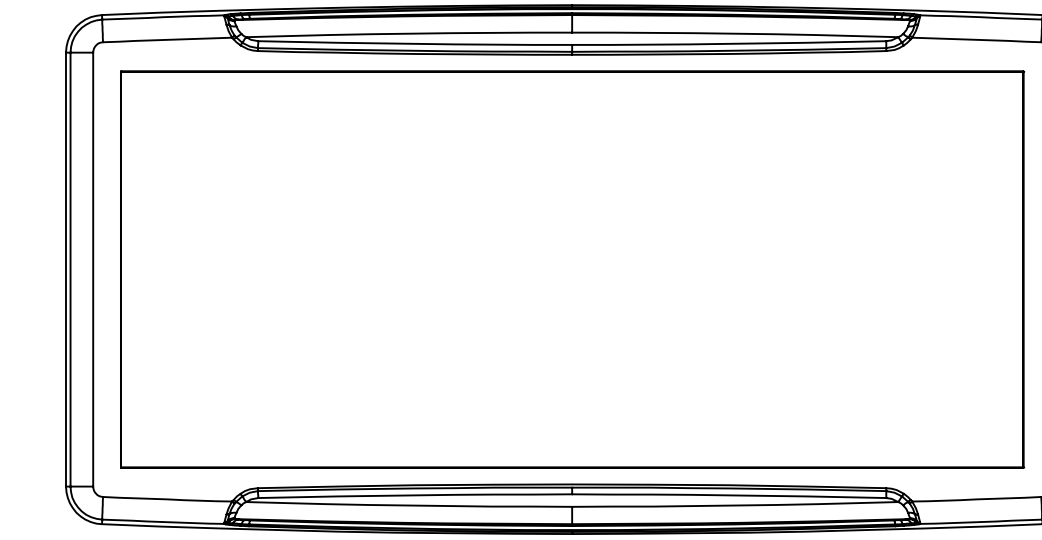
COVER: 6 SURFACE



SURFACE-7



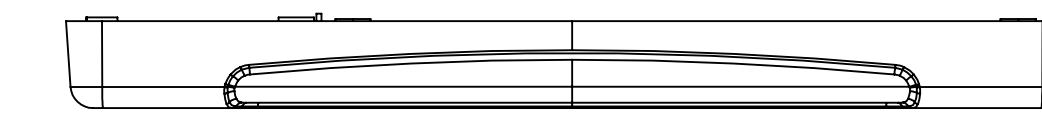
SURFACE-9



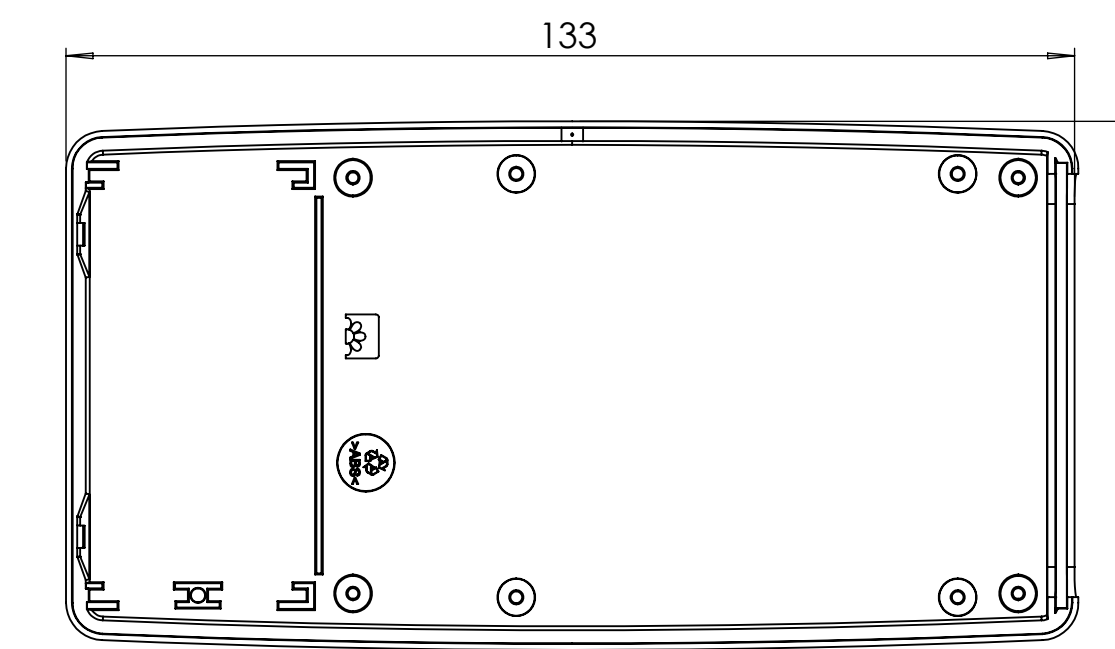
SURFACE-11



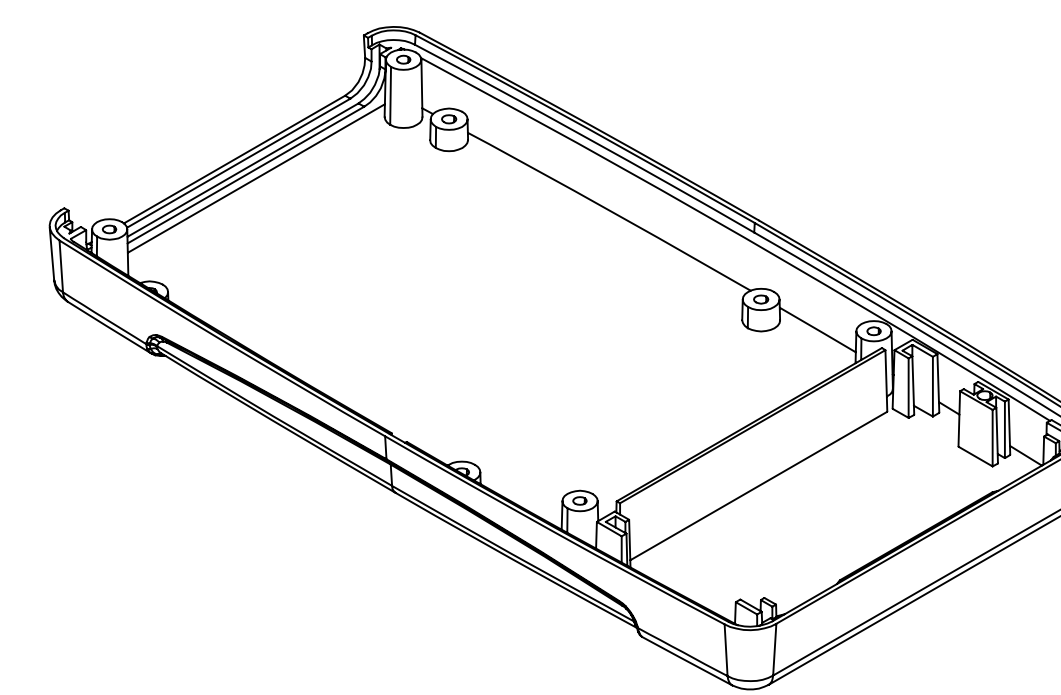
SURFACE-10



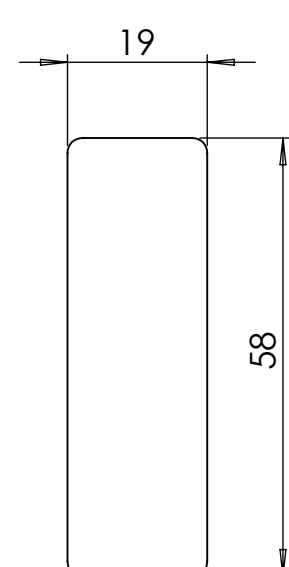
SURFACE-8



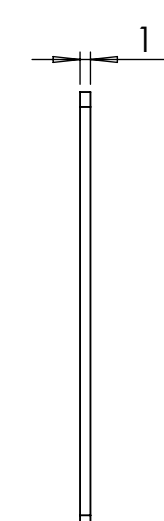
SURFACE-12 (INSIDE)



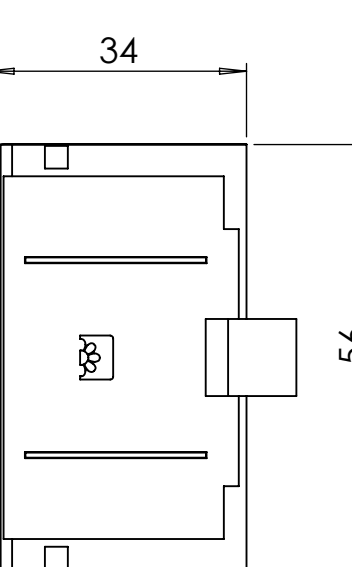
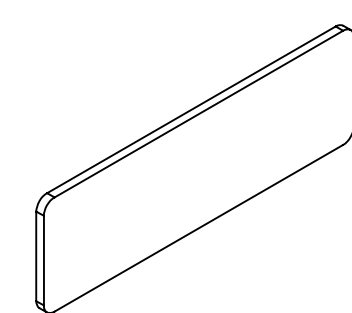
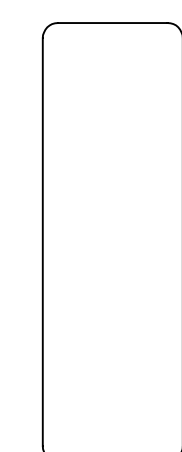
PANEL: 2 SURFACE



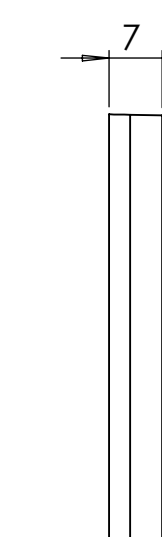
SURFACE-13



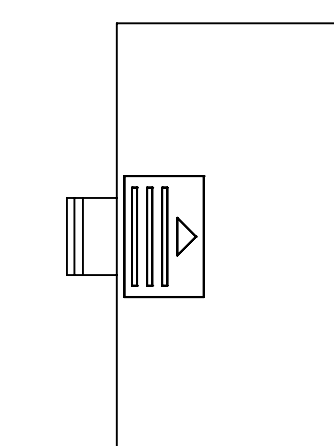
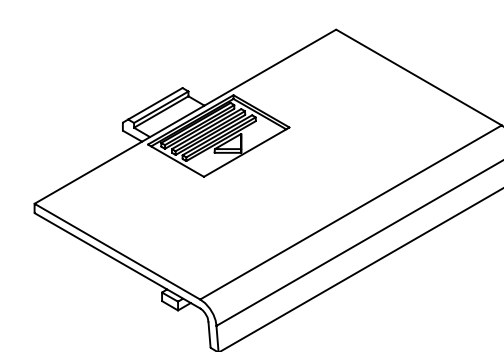
SURFACE-14



SURFACE-15

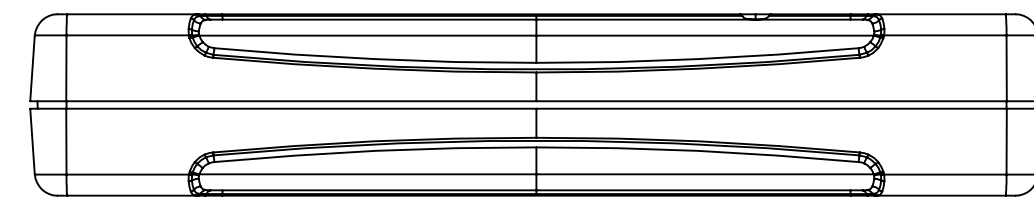


SURFACE-16

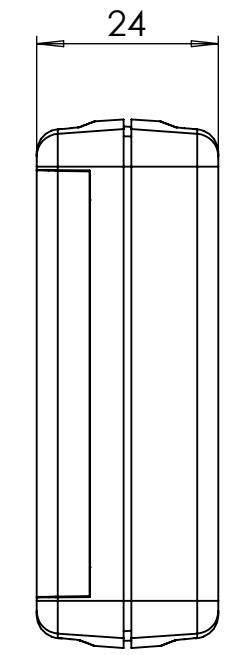


REV. NO	DATE	REVISED BY	DESCRIPTION OF CHANGE
ALTINKAYA Electronic Enclosures & Components			www.altinkaya.com
Customer Name:		Customer Ref.:	
Altinkaya Ref.:		Part Name: HH-059	
DRAWN	NAME	DATE	Drawn From:
CHECKED	Y.YEL	7.10.2024	Material:
DIMENSIONAL TOLERANCES UNLESS OTHERWISE SPECIFIED (DIN7168)		0.5-3mm	3-6mm
±0.1	±0.1	±0.2	±0.3
±0.5	±0.5	±0.5	±0.5
m (Medium)		SCALE 1:1	
SHEET 1 OF 2		UNIT: mm	

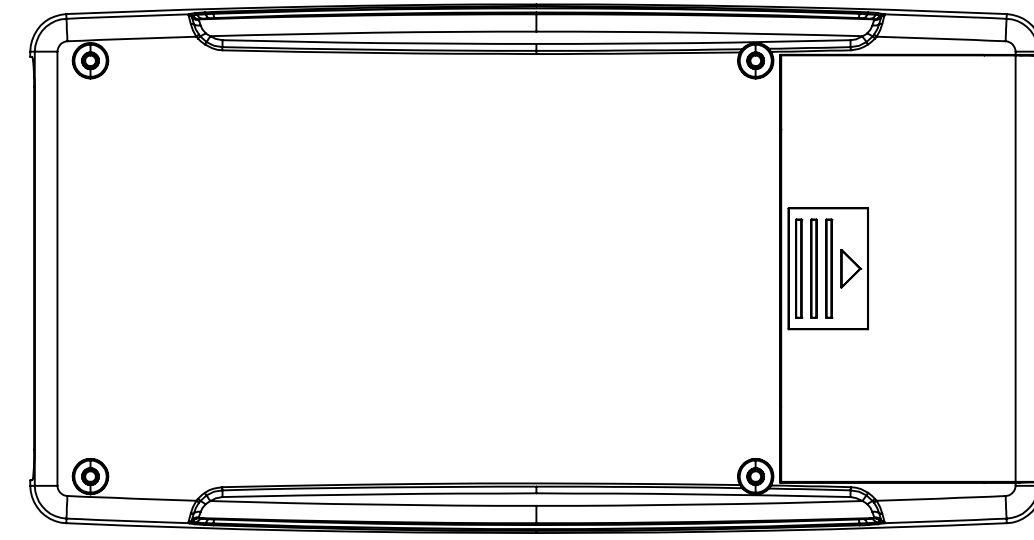
HH-059 IF MACHINED TOGETHER



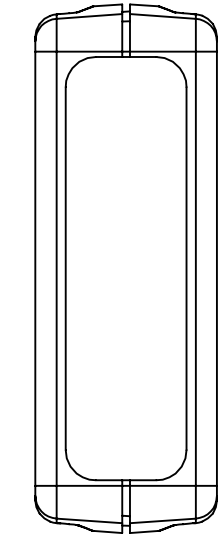
SURFACE-17



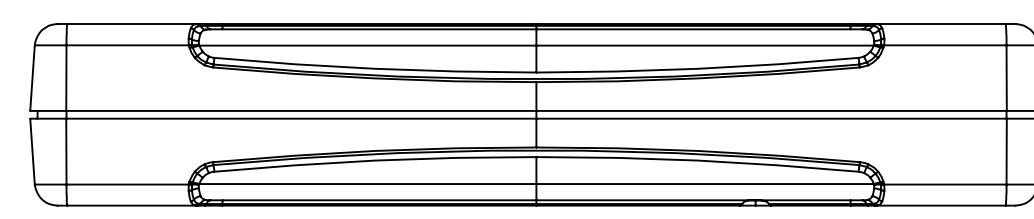
SURFACE-19



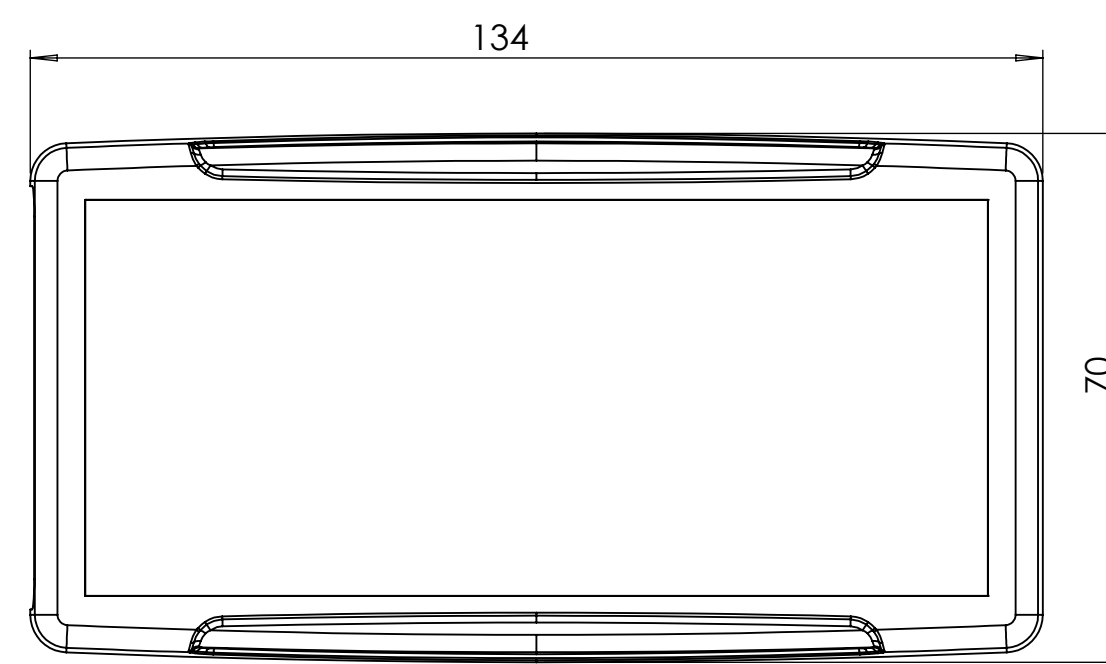
SURFACE-21



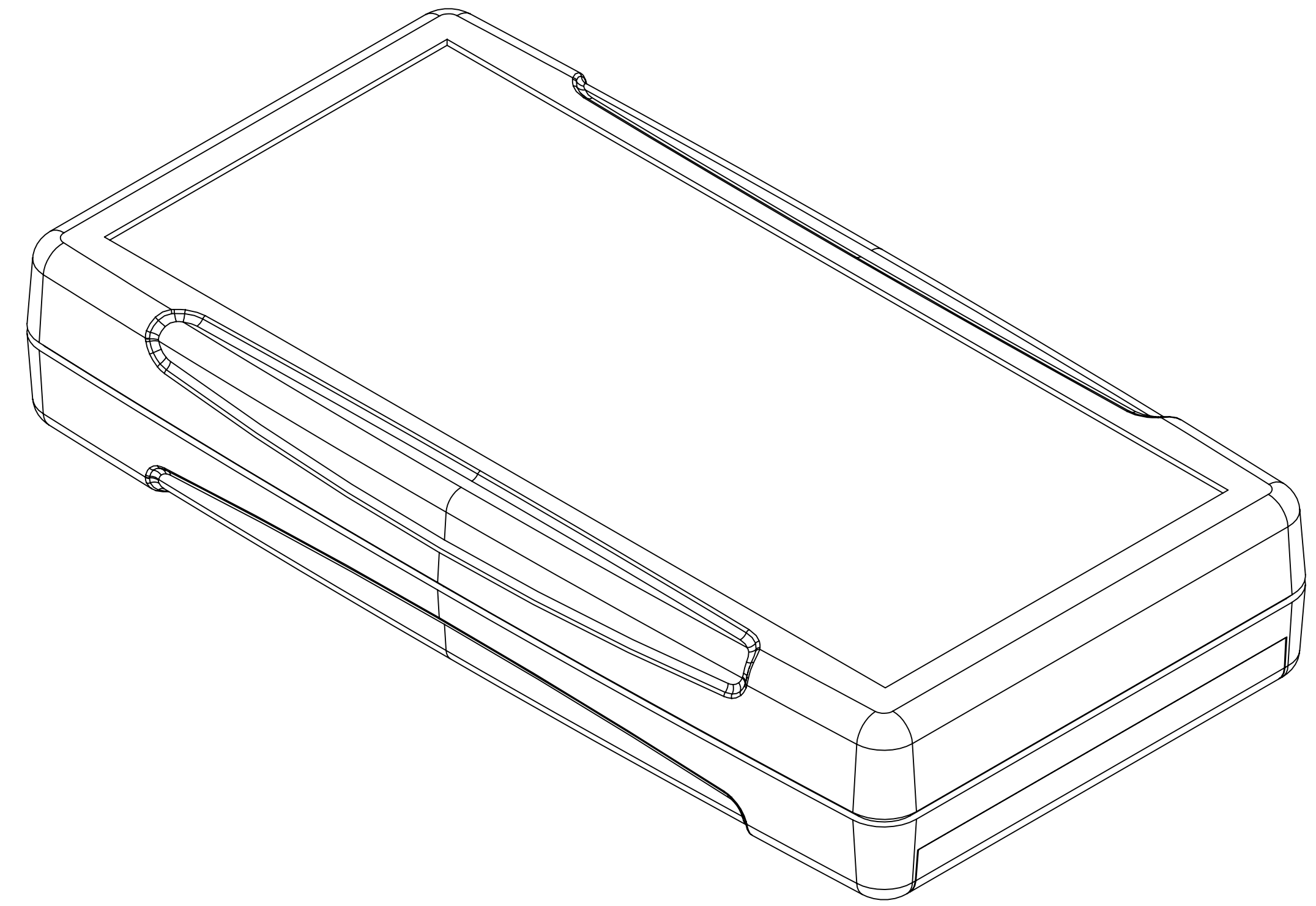
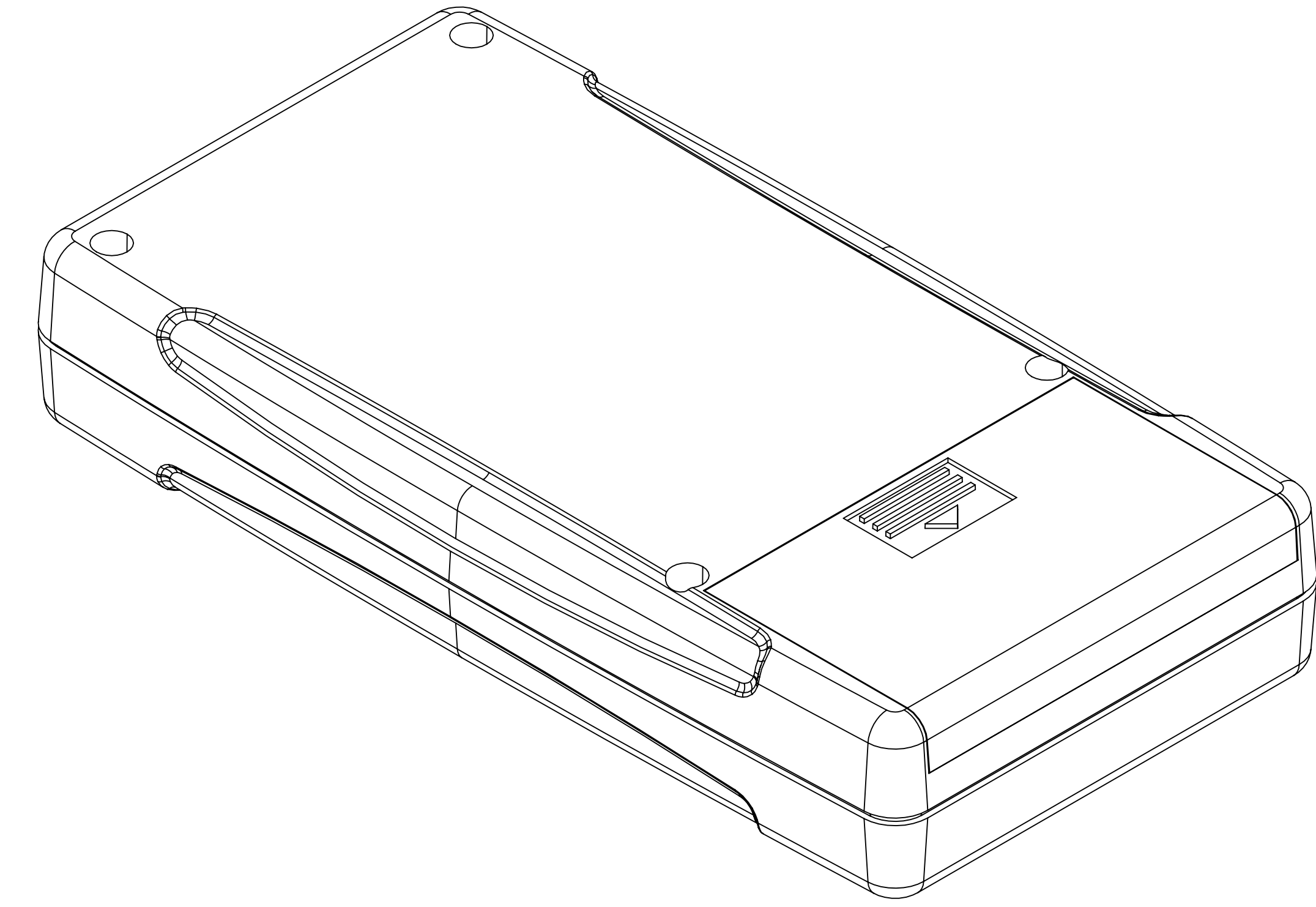
SURFACE-20




SURFACE-18



SURFACE-22



REV. NO	DATE	REVISED BY	DESCRIPTION OF CHANGE
 ALTINKAYA Electronic Enclosures & Components			www.altinkaya.com
Customer Name:		Customer Ref.:	
Altinkaya Ref.:		Part Name: HH-059	
DRAWN	NAME	DATE	Drawn From:
CHECKED	Y.YEL	7.10.2024	Weight:
DIMENSIONAL TOLERANCES UNLESS OTHERWISE SPECIFIED (DIN7168)			
	0.5-3mm	3-6mm	6-30mm
	±0.1	±0.1	±0.2
			±0.3
			±0.5
			m (Medium)
SCALE 1:1			SHEET 2 OF 2
UNIT: mm			A0