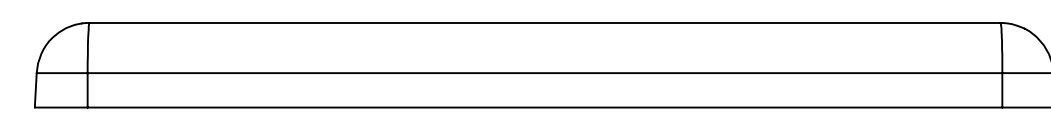
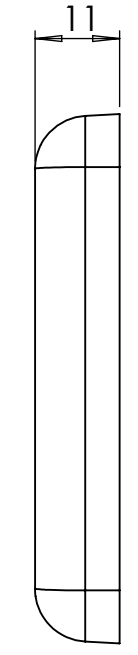


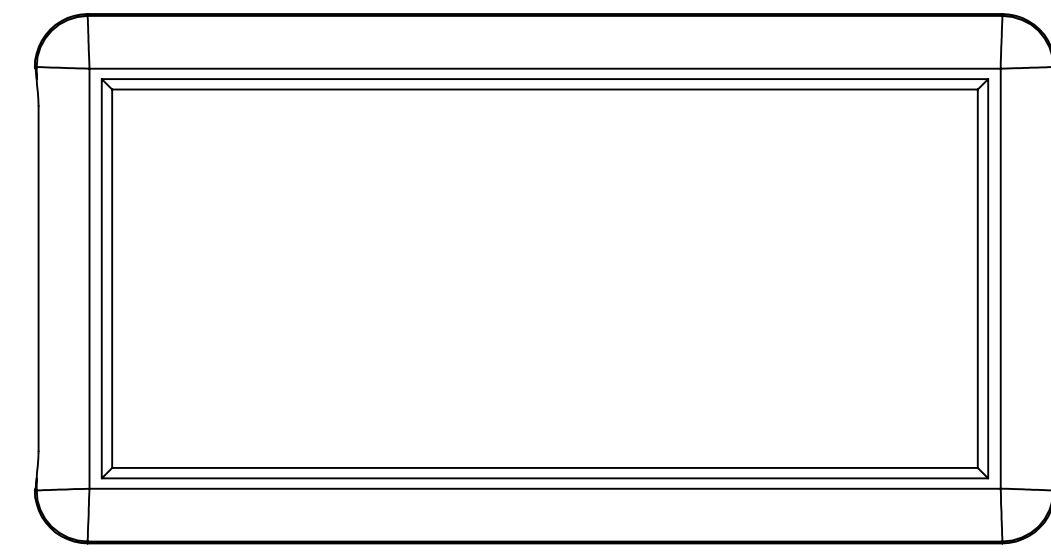
# BASE: 6 SURFACE



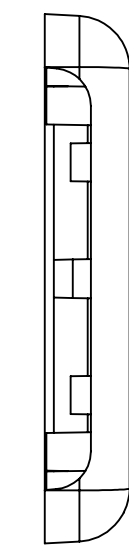
SURFACE-1



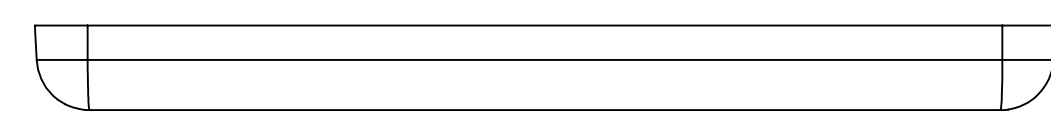
SURFACE-3



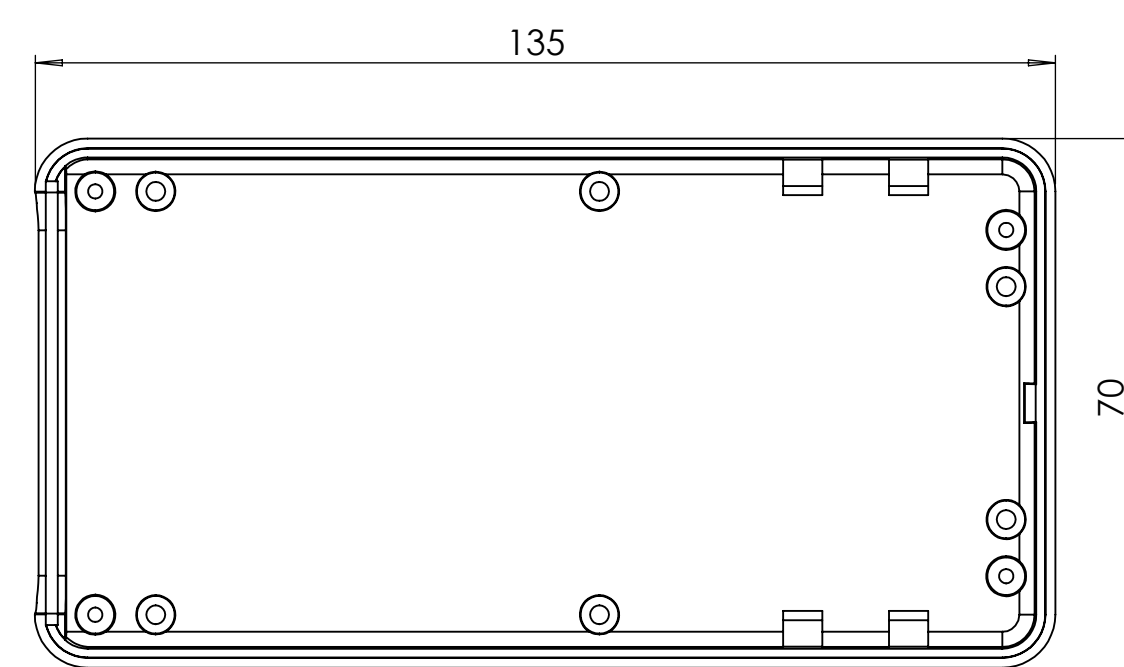
SURFACE-5



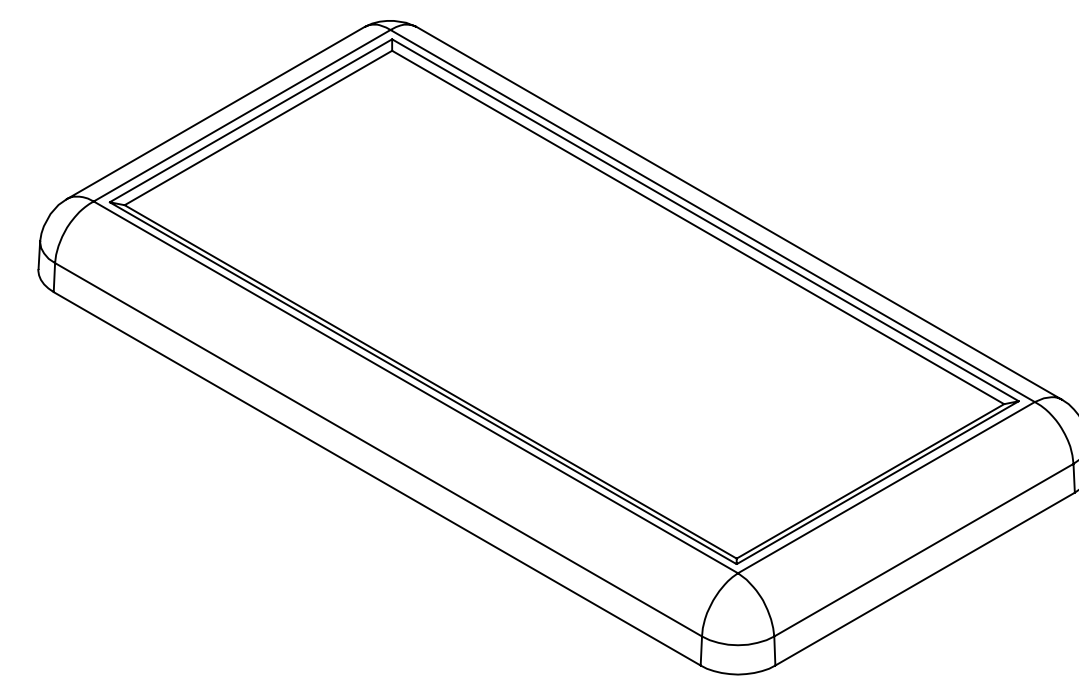
SURFACE-4



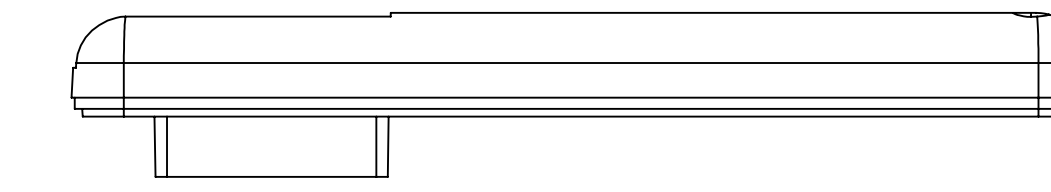
SURFACE-2



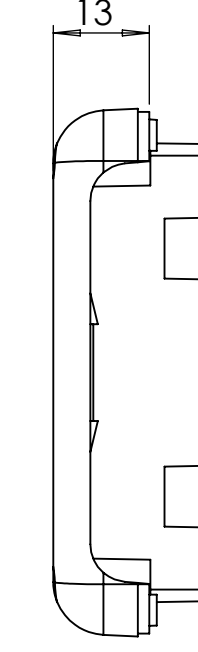
SURFACE-6 (INSIDE)



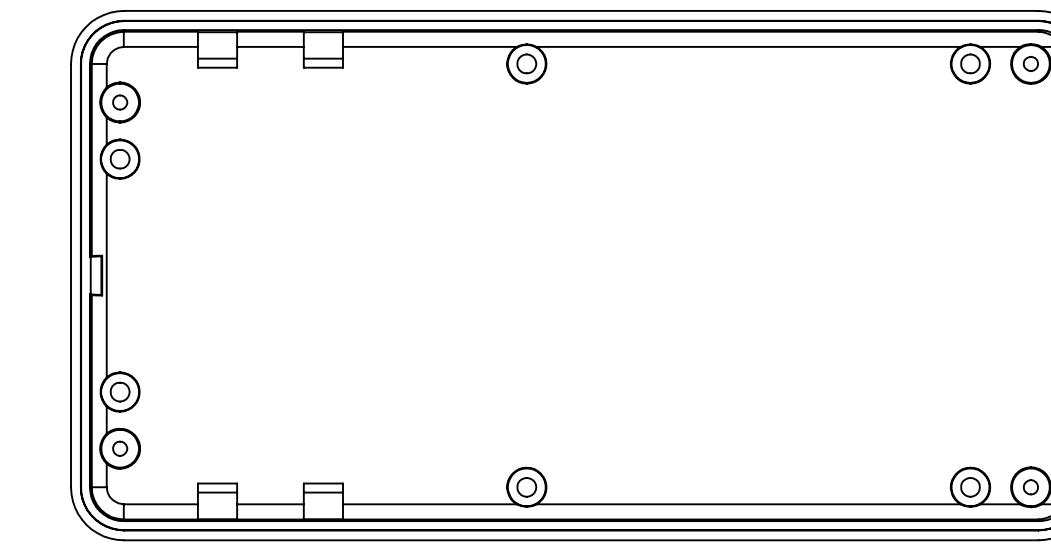
# COVER: 6 SURFACE



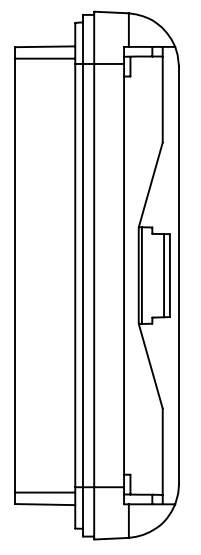
SURFACE-7



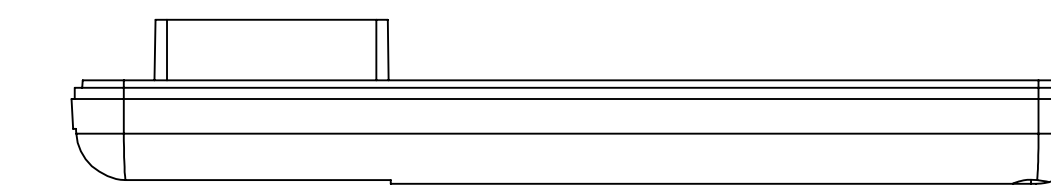
SURFACE-9



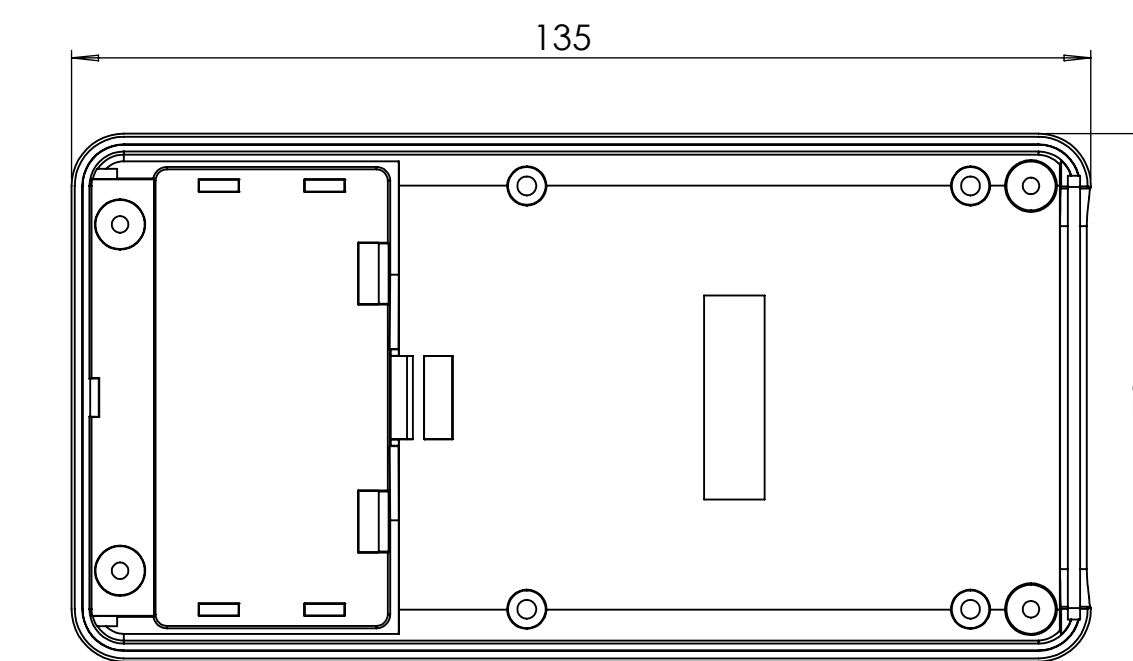
SURFACE-11



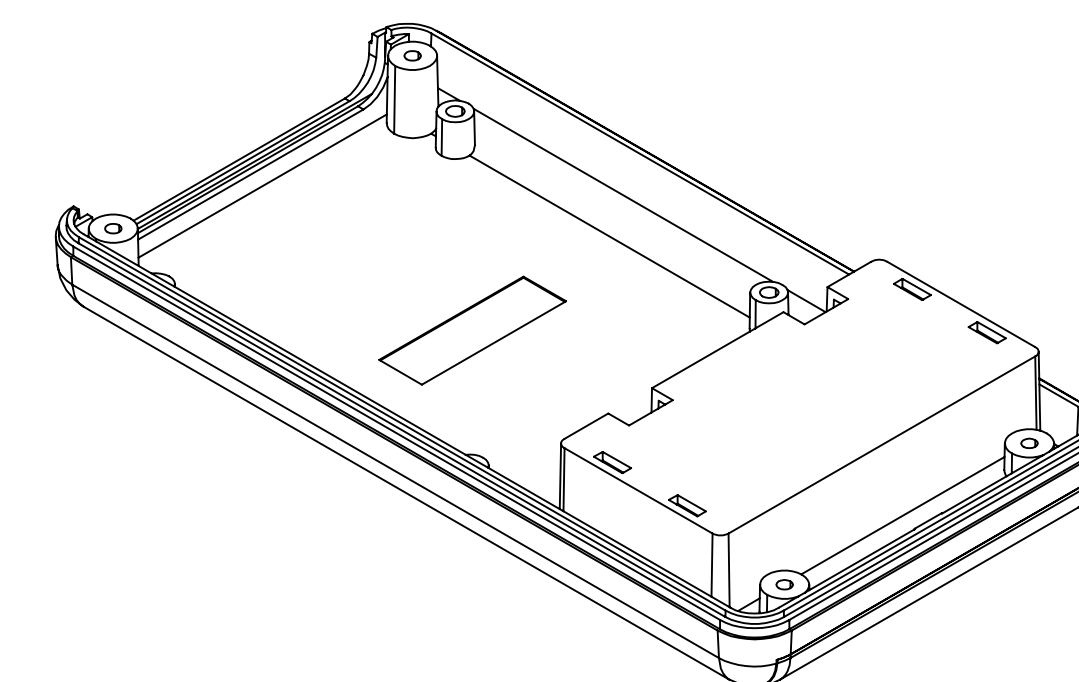
SURFACE-10



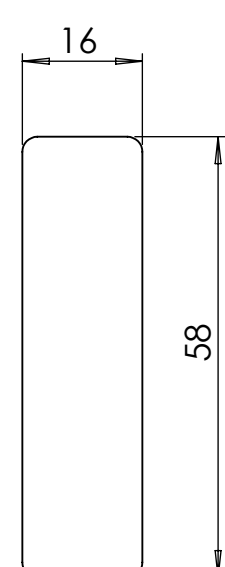
SURFACE-8



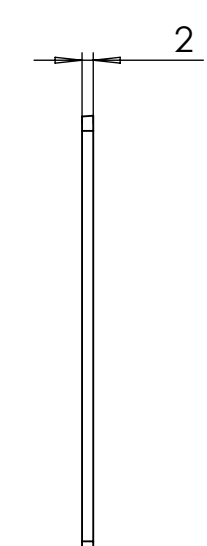
SURFACE-12 (INSIDE)



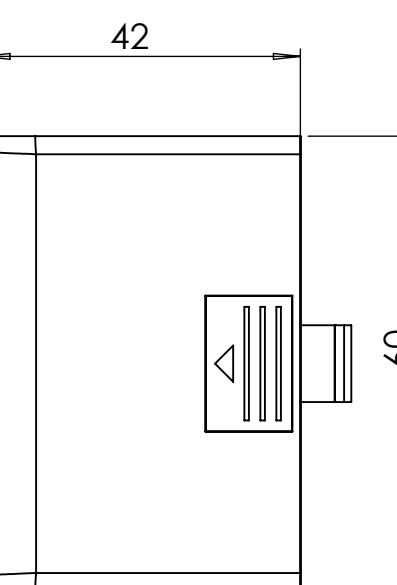
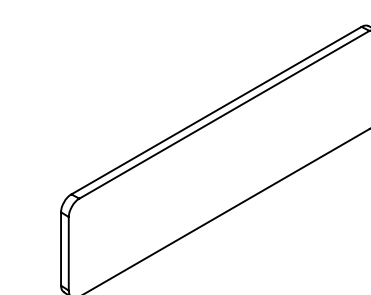
# PANEL: 2 SURFACE



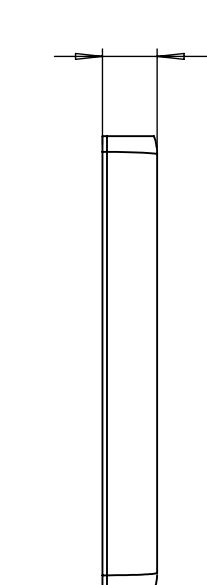
SURFACE-13



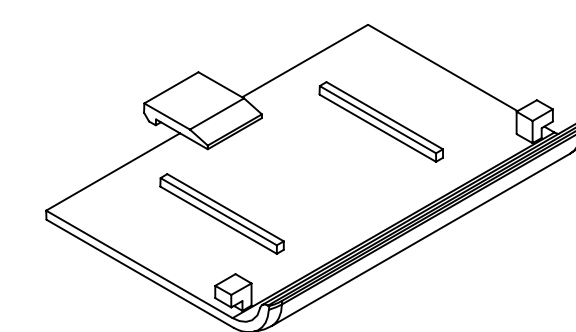
SURFACE-14



SURFACE-15



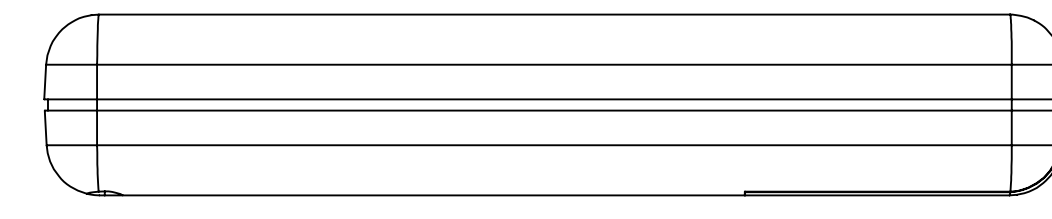
SURFACE-16



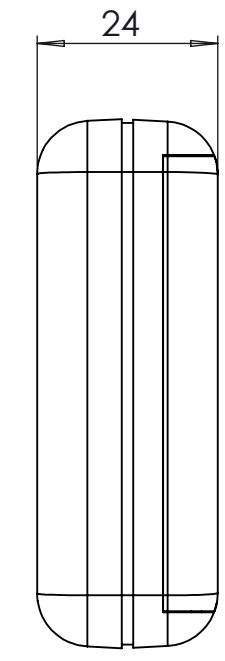
# BATTERY COVER: 2 SURFACE

REV. NO	DATE	REVISED BY	DESCRIPTION OF CHANGE
 <b>ALTINKAYA</b> Electronic Enclosures & Components			
Customer Name:		Customer Ref.:	
Altinkaya Ref.:		Part Name: HH-058	
DRAWN	NAME	DATE	Drawn From:
CHECKED	Y.YEL	7.10.2024	Material:
DIMENSIONAL TOLERANCES UNLESS OTHERWISE SPECIFIED (DIN7168)		0.5-3mm	3-6mm
±0.1	±0.1	±0.2	±0.3
±0.5	±0.5	±0.5	±0.5
m (Medium)		SCALE 1:1	
SHEET 1 OF 2		UNIT: mm	

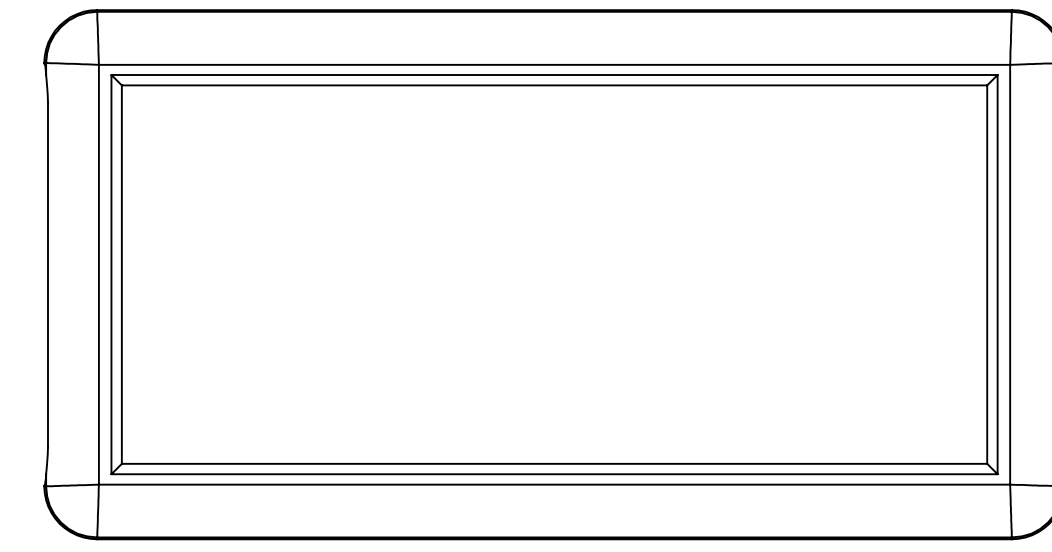
# HH-058- IF MACHINED TOGETHER



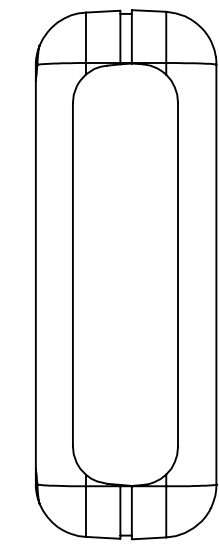
SURFACE-17



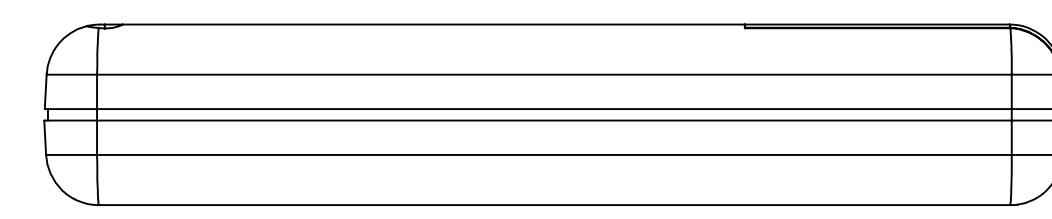
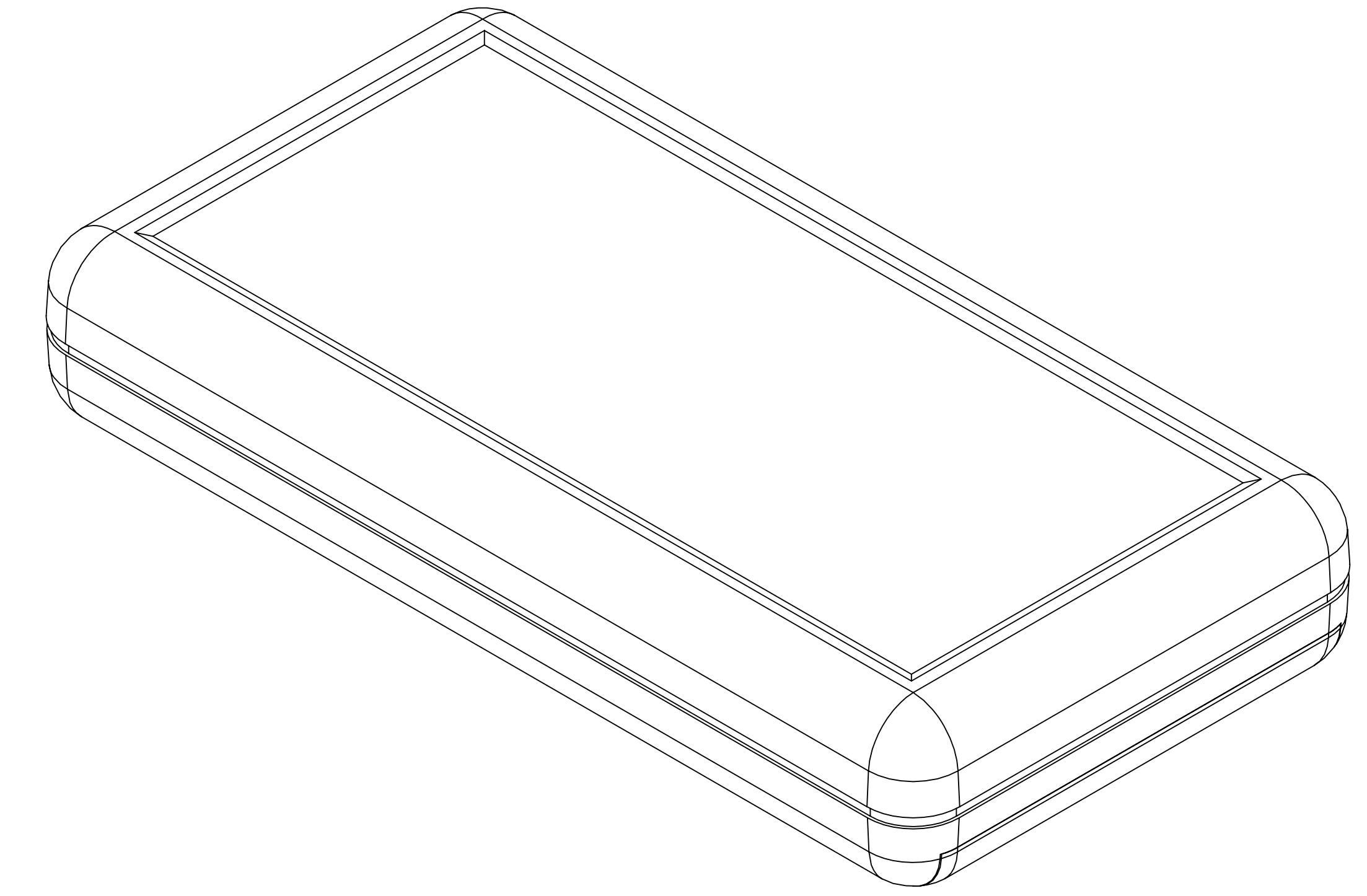
SURFACE-19



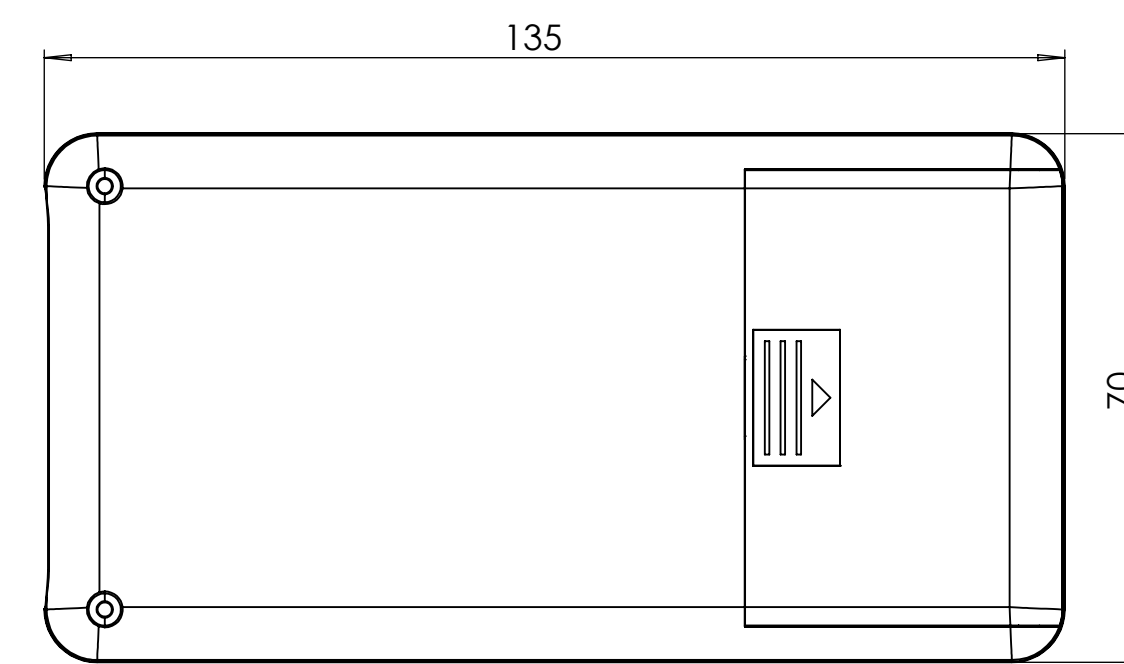
SURFACE-21



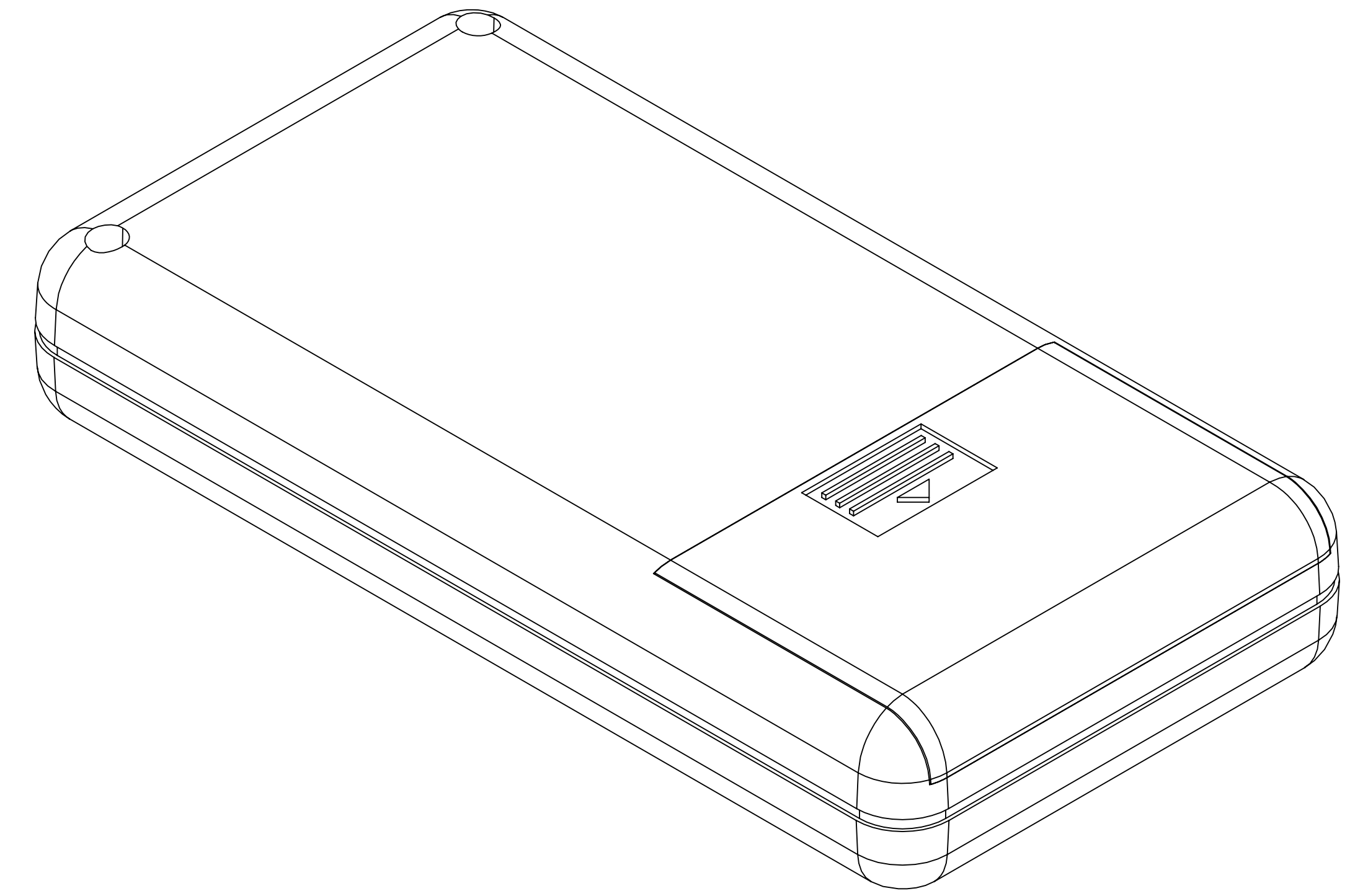
SURFACE-20



SURFACE-18



SURFACE-22



REV. NO	DATE	REVISED BY	DESCRIPTION OF CHANGE
 <b>ALTINKAYA</b> Electronic Enclosures & Components			<a href="http://www.altinkaya.com">www.altinkaya.com</a>
Customer Name:		Customer Ref.:	
Altinkaya Ref.:		Part Name: HH-058	
DRAWN	NAME	DATE	Drawn From:
CHECKED	Y.YEL	7.10.2024	Material:
DIMENSIONAL TOLERANCES UNLESS OTHERWISE SPECIFIED (DIN7168)			Weight:
±0.1	±0.1	±0.2	±0.3
±0.5	Dimension (mm)		SCALE 1:1
			SHEET 2 OF 2
			UNIT: mm
			A0