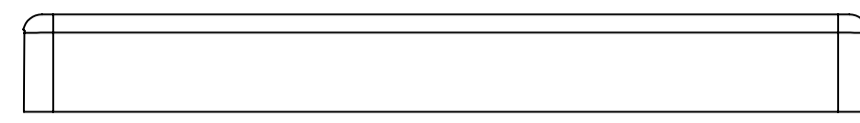
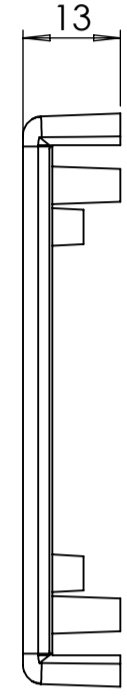


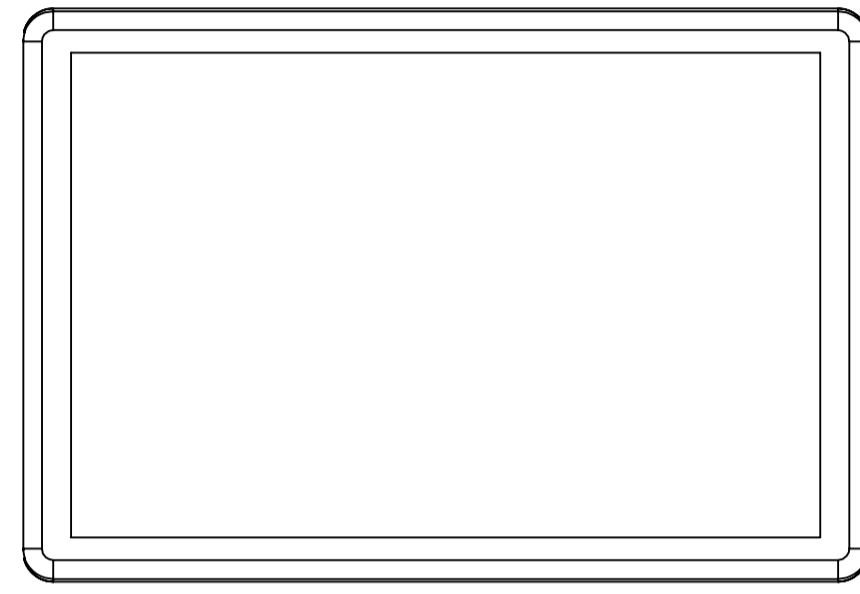
BASE: 6 SURFACE



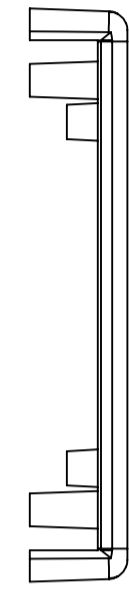
SURFACE-1



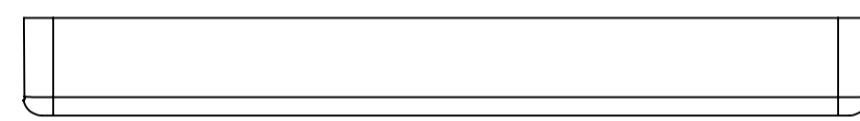
SURFACE-3



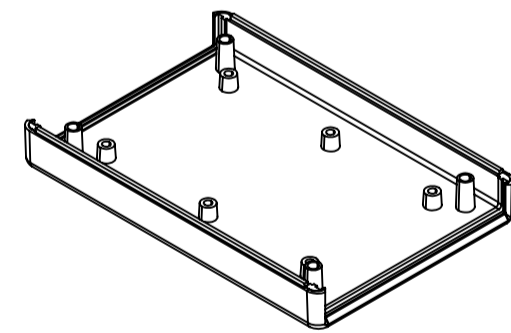
SURFACE-5



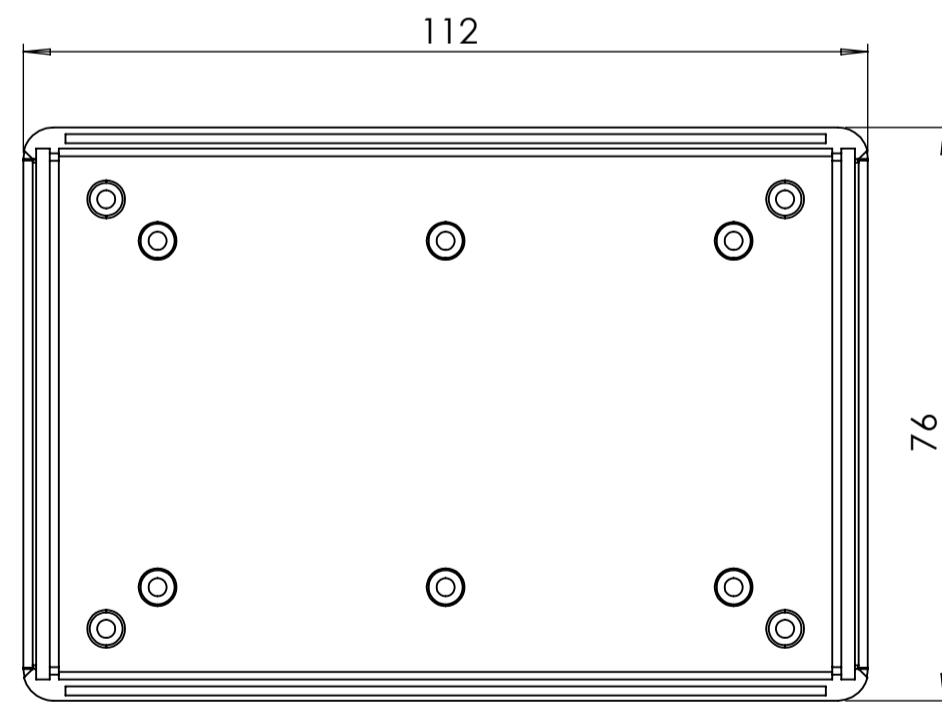
SURFACE-4



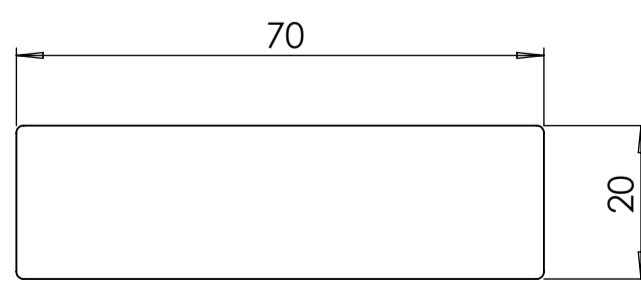
SURFACE-2



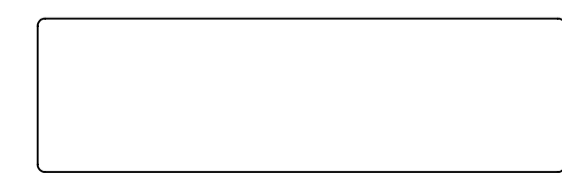
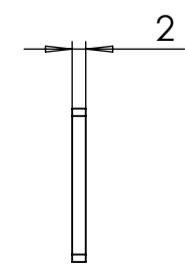
SURFACE-6 (INSIDE)



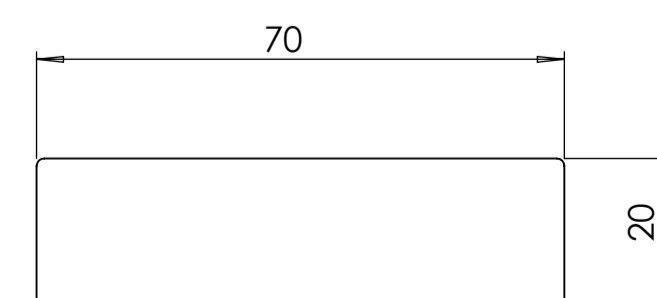
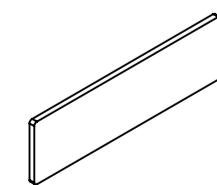
PANEL: 2 SURFACE



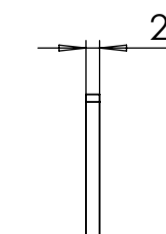
SURFACE-13



SURFACE-14



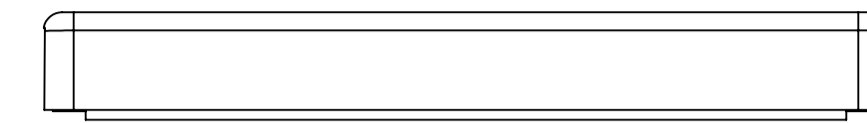
SURFACE-15



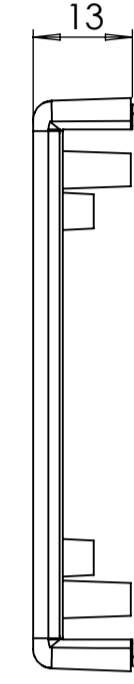
SURFACE-16

PANEL: 2 SURFACE

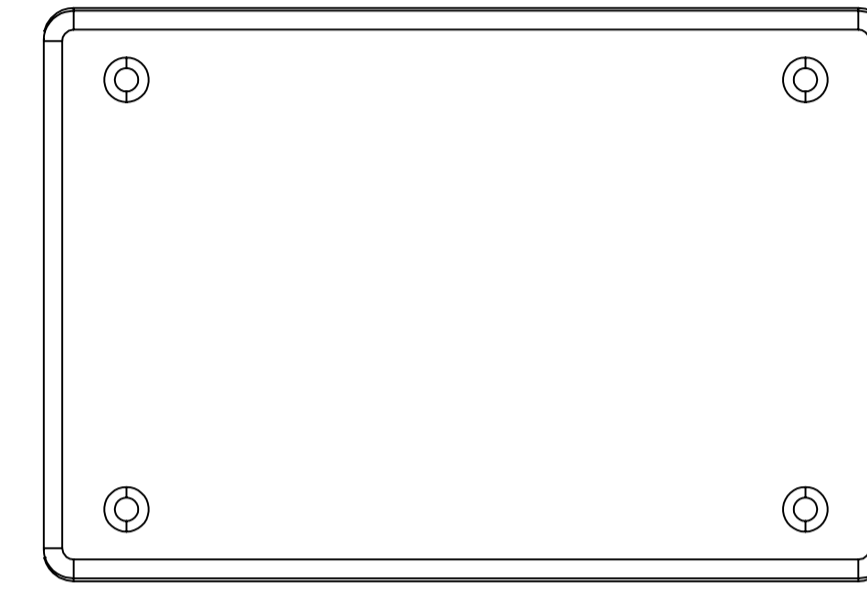
COVER: 6 SURFACE



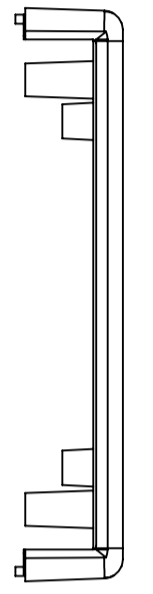
SURFACE-7



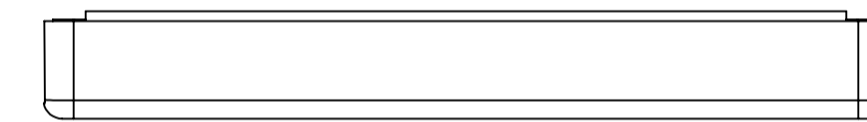
SURFACE-9



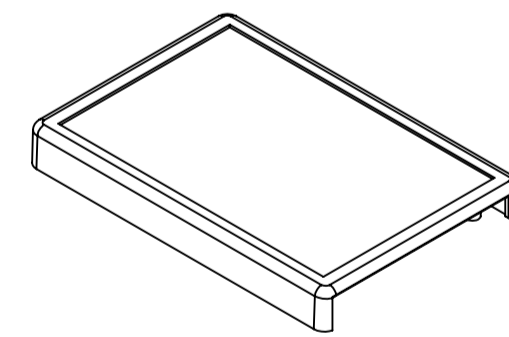
SURFACE-11



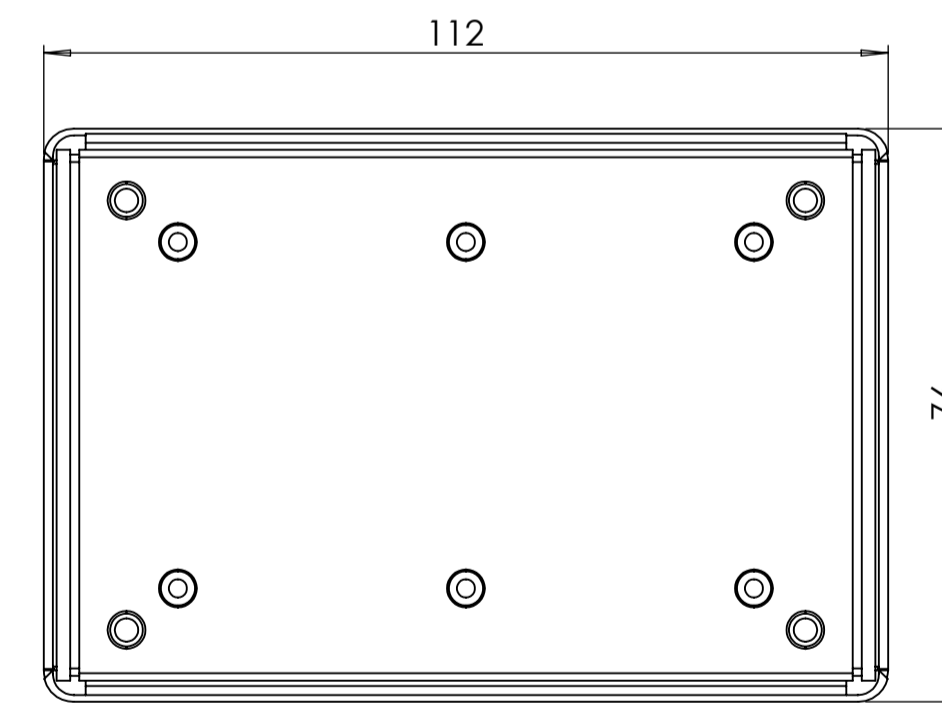
SURFACE-10



SURFACE-8

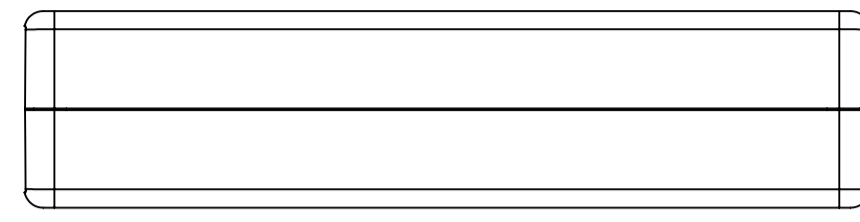


SURFACE-12 (INSIDE)

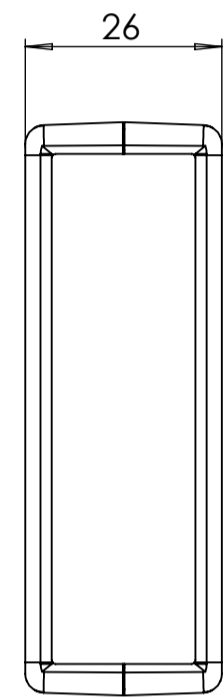


REV. NO.	DATE	REVISED BY	DESCRIPTION OF CHANGE
ALTINKAYA Electronic Enclosures & Components www.altinkaya.com			
Customer Name:		Customer Ref.:	
Altinkaya Ref.:		Part Name: HH-055	
DRAWN	NAME	DATE	Drawn From:
CHECKED	Y. YEL	7.10.2024	Material:
DIMENSIONAL TOLERANCES UNLESS OTHERWISE SPECIFIED:		Weight:	SCALE 1:1 UNIT : mm
(DIN7148)	±0.1	±0.1	±0.2
	±0.3	±0.3	±0.5
			Dimension(mm)
			30-120mm
			120-400mm
			m(medium)
			A1
			SHEET 1 OF 2

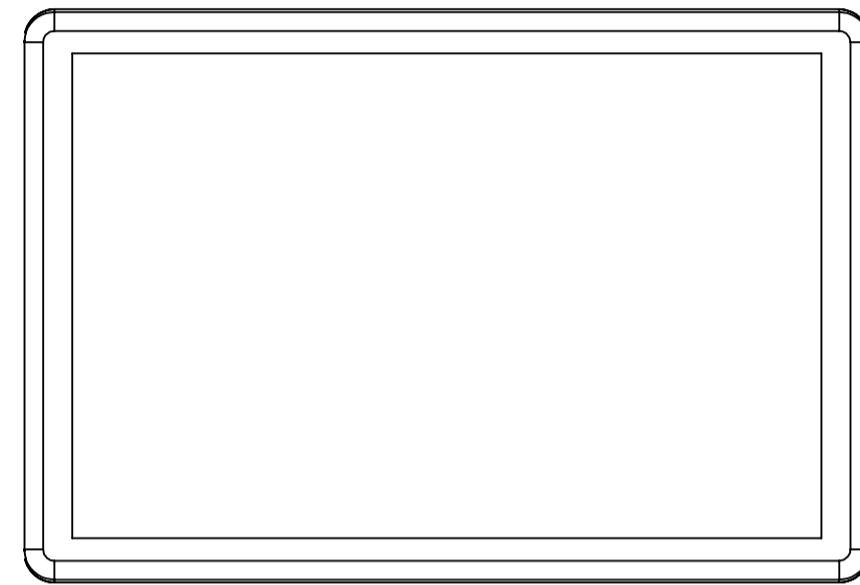
HH-055 IF MACHINED TOGETHER



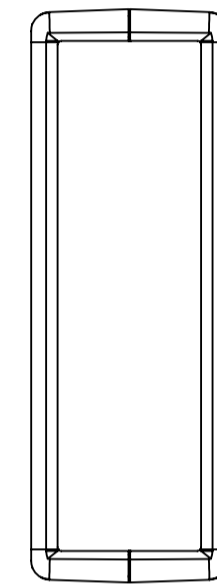
SURFACE-17



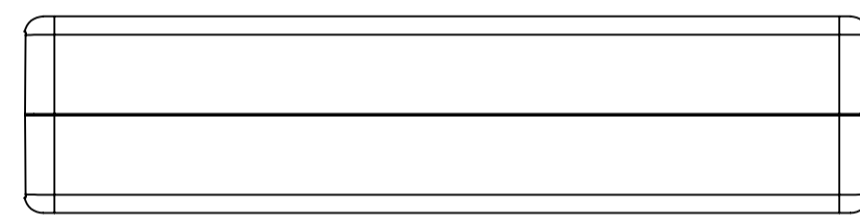
SURFACE-19



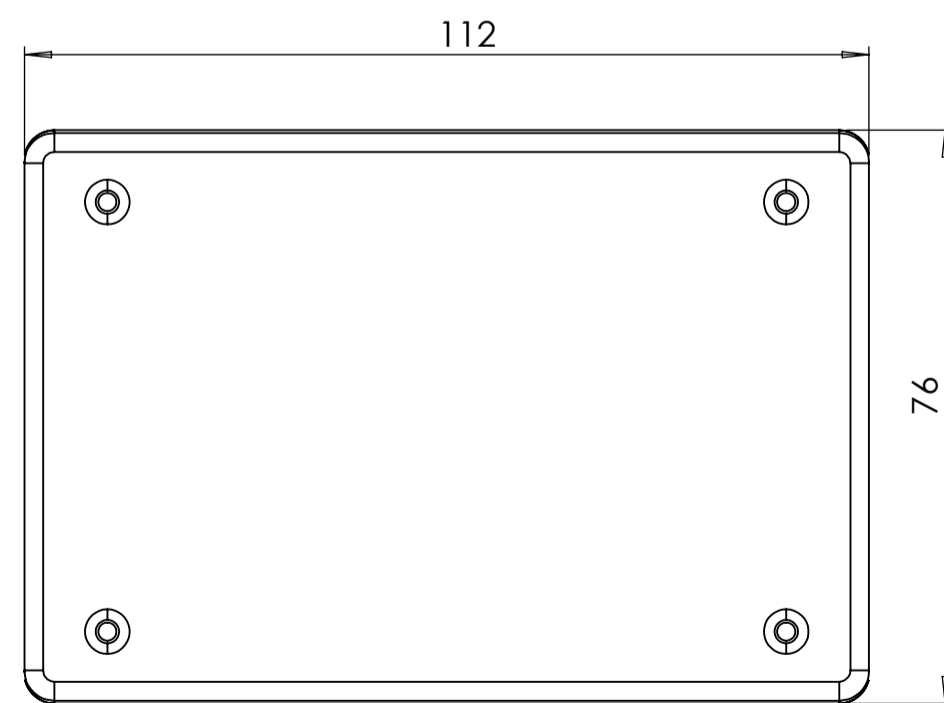
SURFACE-21



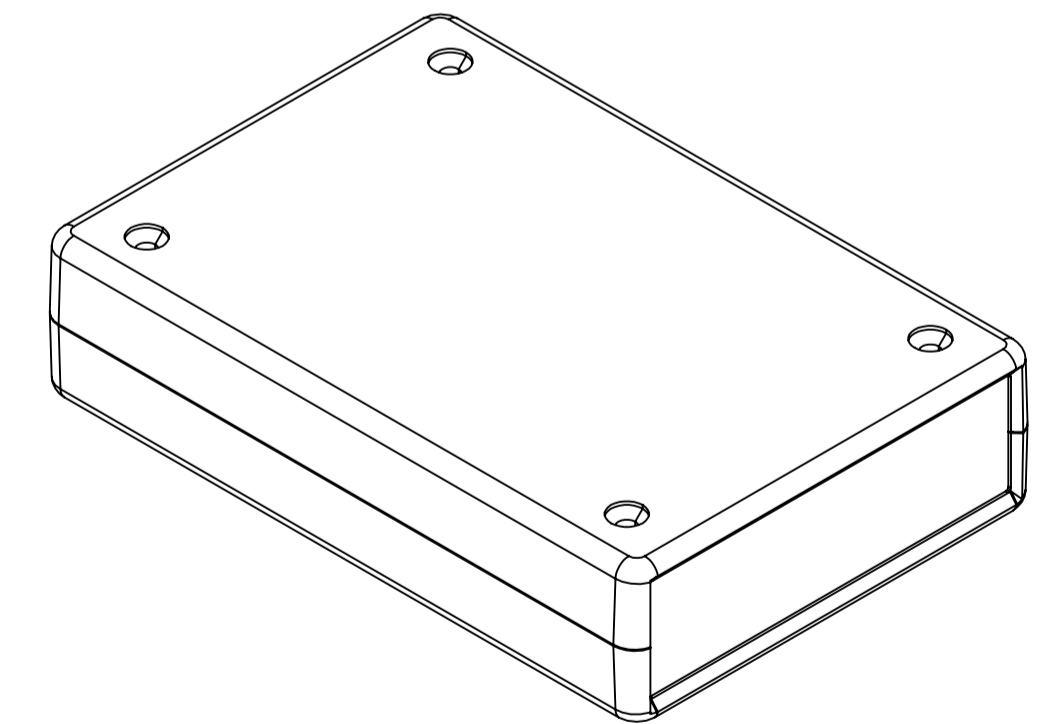
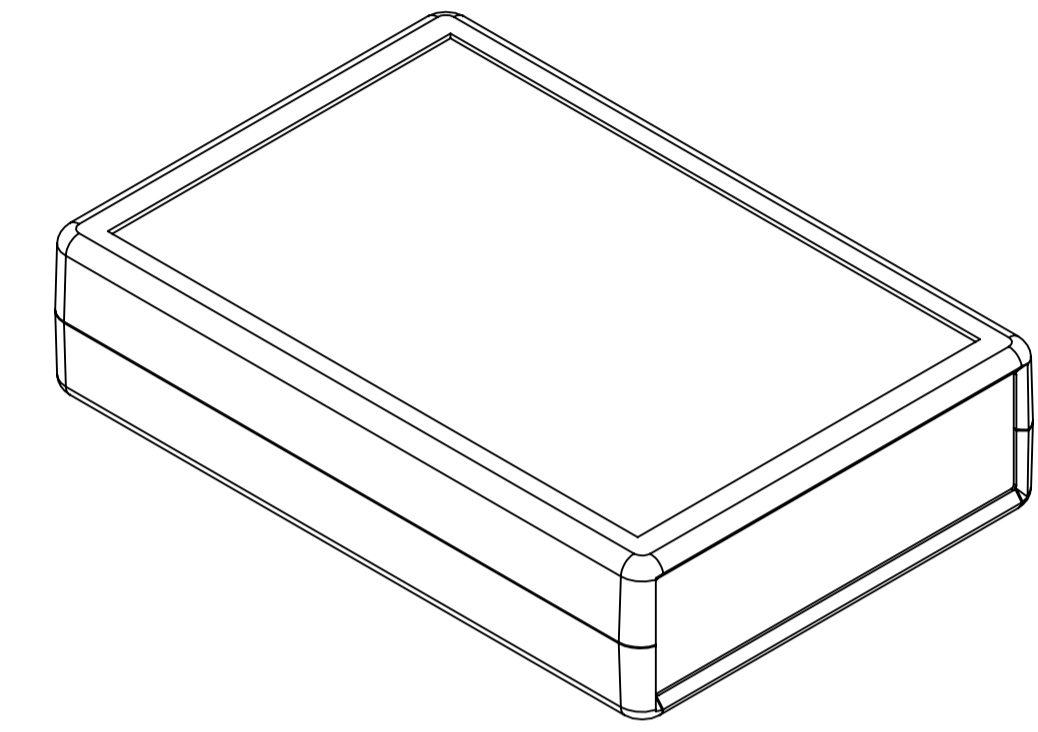
SURFACE-20



SURFACE-18



SURFACE-22



REV. NO.	DATE	REVISED BY	DESCRIPTION OF CHANGE
ALTINKAYA Electronic Enclosures & Components			www.altinkaya.com
Customer Name:		Customer Ref.:	
Altinkaya Ref.:		Part Name: HH-055	
DRAWN	NAME	DATE	Drawn From:
CHECKED	Y. YESLOZ	7.10.2024	Material:
DIMENSIONAL TOLERANCES UNLESS OTHERWISE SPECIFIED:			Weight:
(mm)	±0.1	±0.1	±0.2
(mm)	±0.1	±0.1	±0.3
(mm)	±0.1	±0.1	±0.5
SCALE: 1:1			UNIT: mm
Dimension (mm)			Dimension (mm)
m (medium)			m (medium)
SHEET 2 OF 2			A1