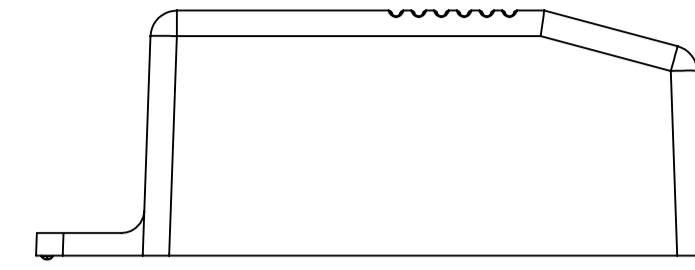
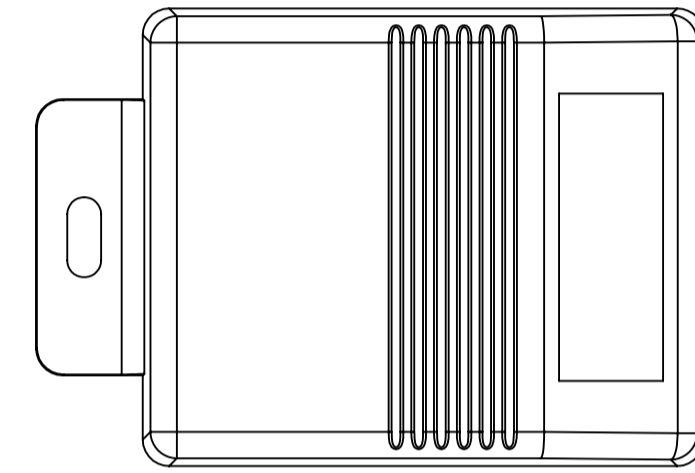


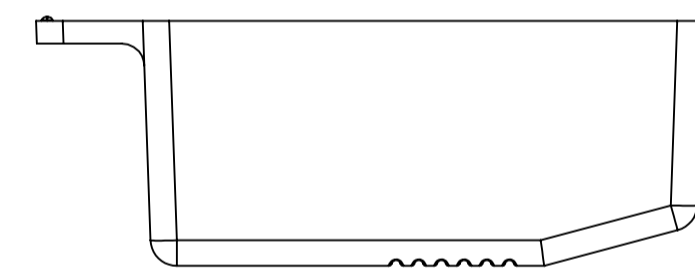
BASE: 6 SURFACE



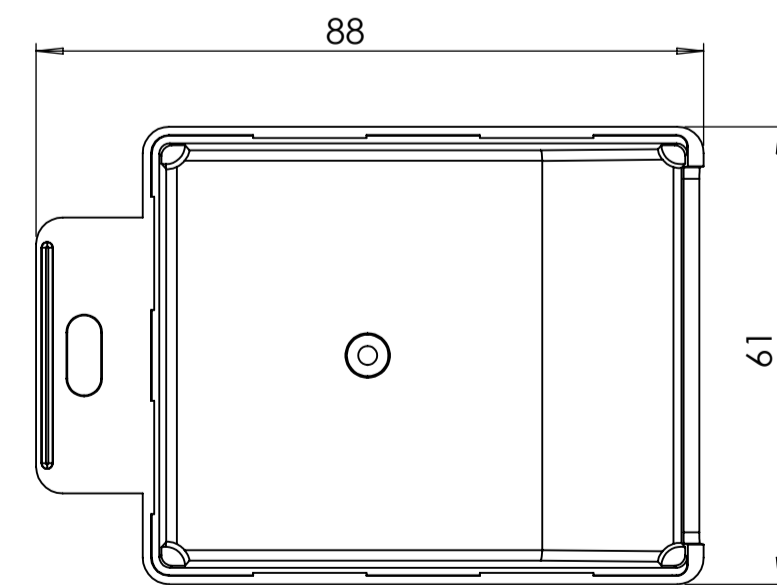
SURFACE-1



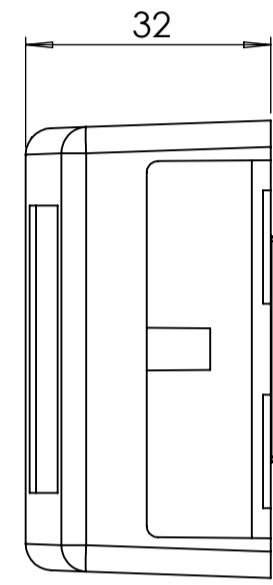
SURFACE-5



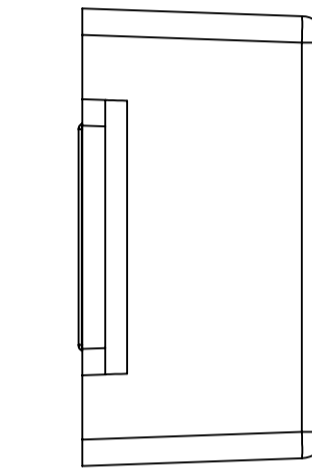
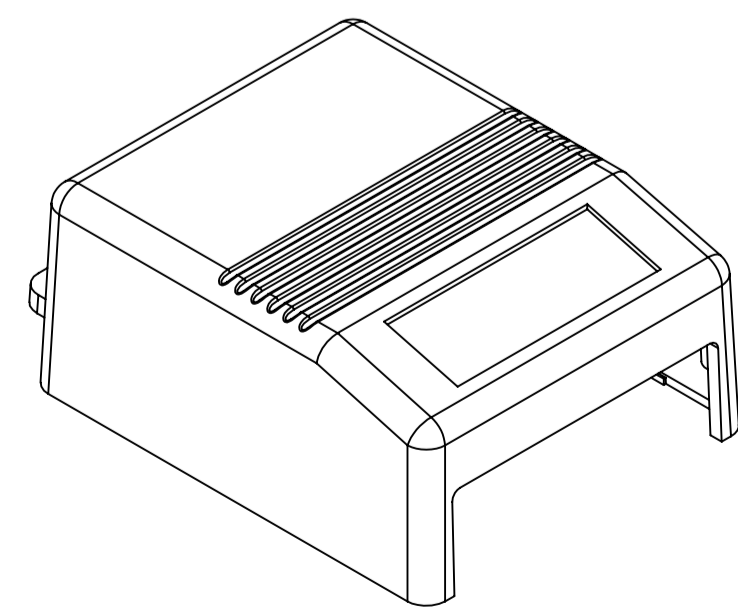
SURFACE-2



SURFACE-6 (INSIDE)

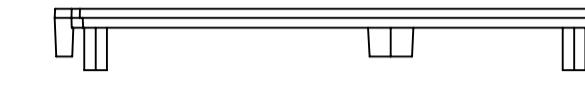


SURFACE-3

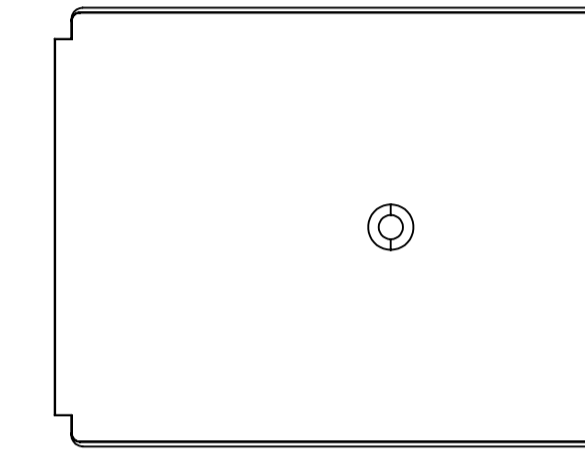


SURFACE-4

COVER: 6 SURFACE



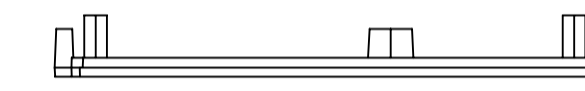
SURFACE-7



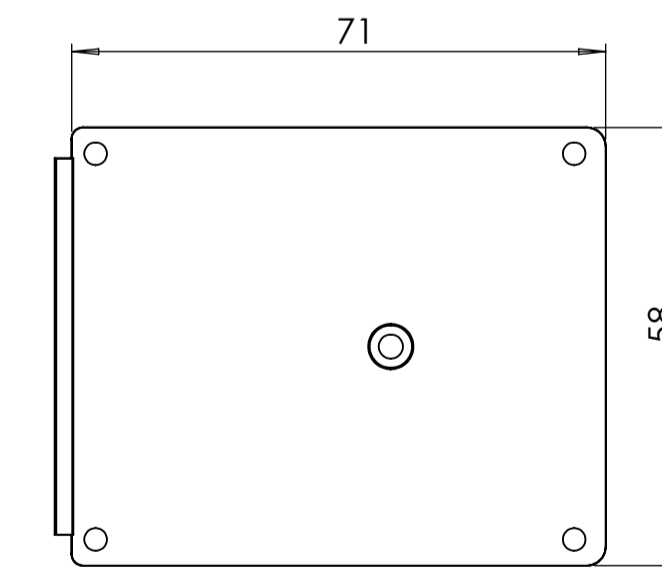
SURFACE-11



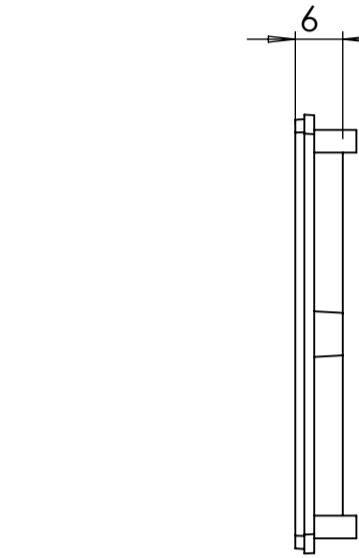
SURFACE-10



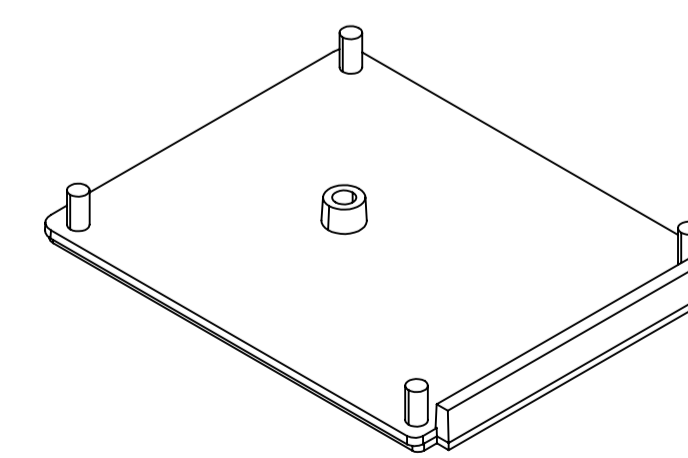
SURFACE-8




SURFACE-12 (INSIDE)

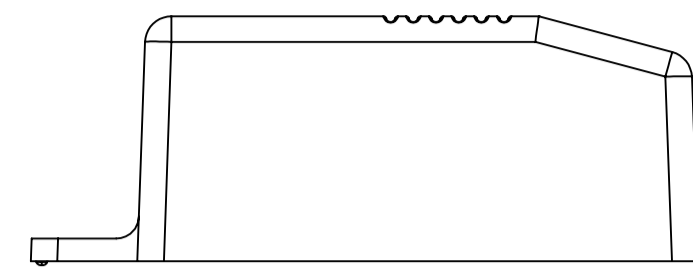


SURFACE-9

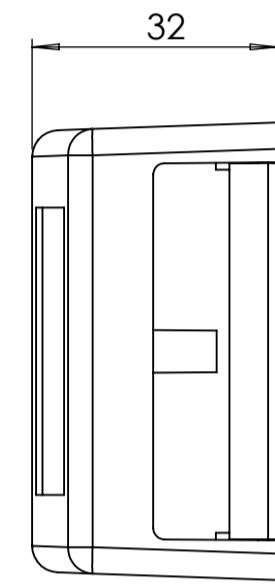


REV. NO.	DATE	REVISED BY	DESCRIPTION OF CHANGE
 ALTINKAYA Electronic Enclosures & Components www.altinkaya.com			
Customer Name:		Customer Ref.:	
Altinkaya Ref.:		Part Name: HH-030-A	
DRAWN	NAME	DATE	Material:
CHECKED	Y. YESLOZ	12.10.2024	Weight:
DIMENSIONAL TOLERANCES UNLESS OTHERWISE SPECIFIED:			SCALE 1:1 UNIT : mm
[R07148]	±0.1	±0.1	±0.2 ±0.3 ±0.5
	3-6mm	6-30mm	30-120mm 120-400mm
			Dimension(mm)
			m(medium)

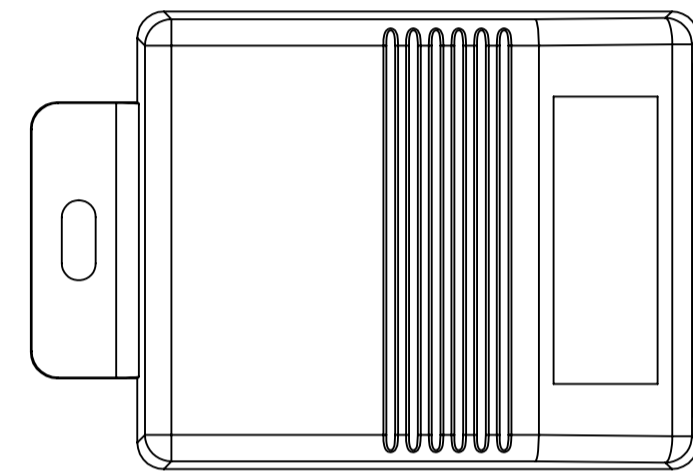
HH-030-A MACHINED TOGETHER



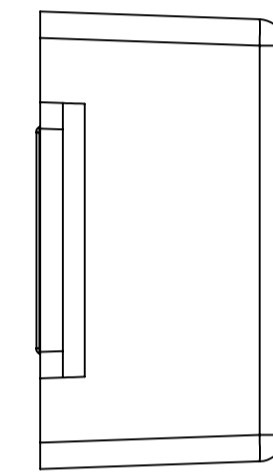
SURFACE-13



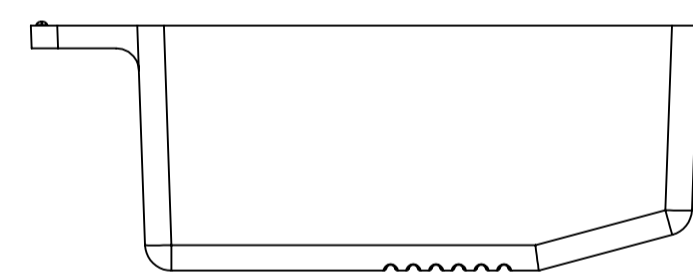
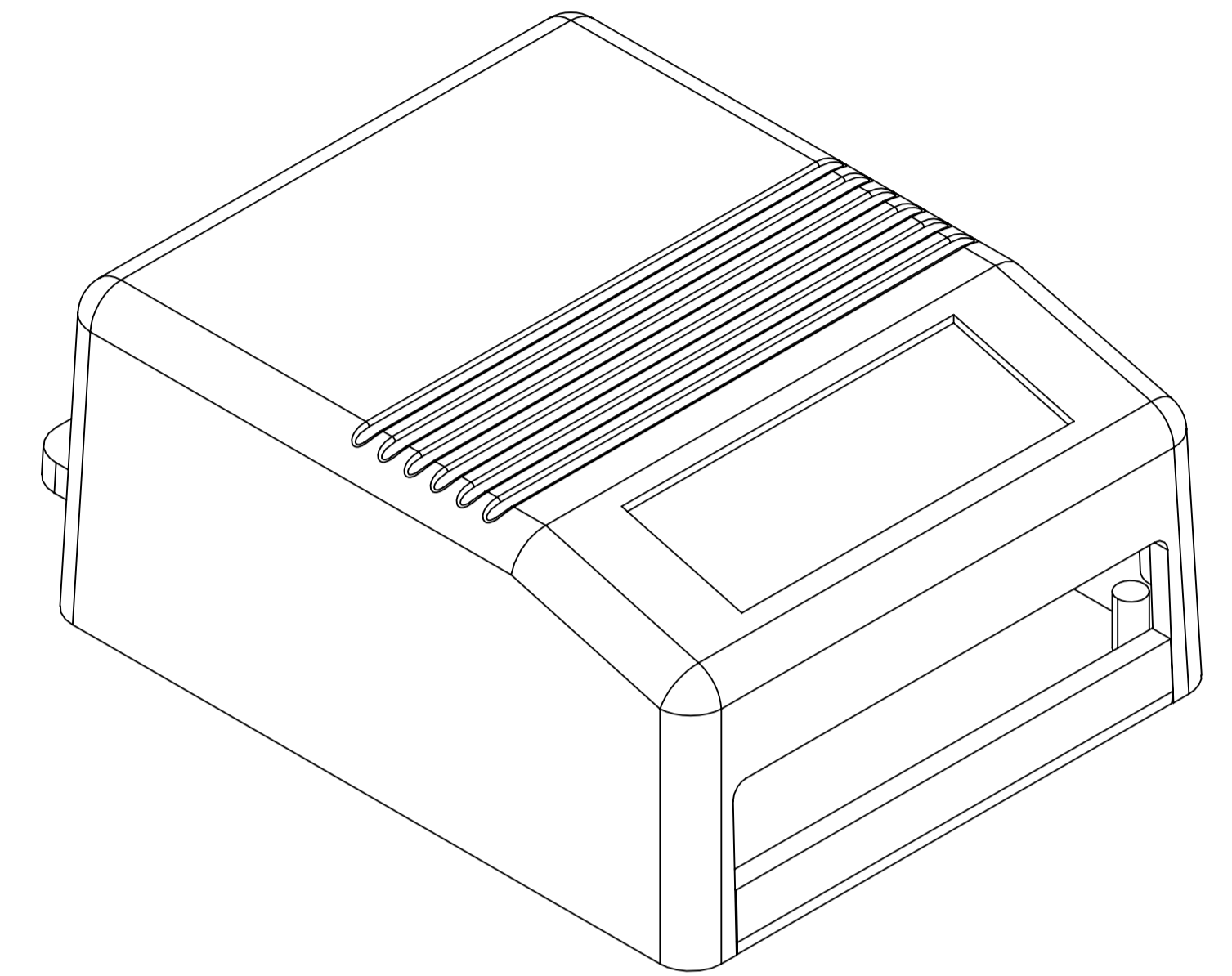
SURFACE-15



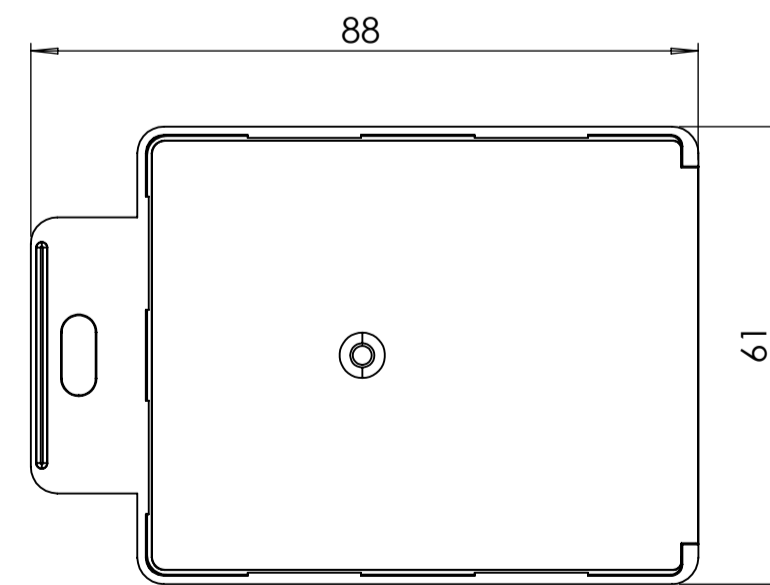
SURFACE-17



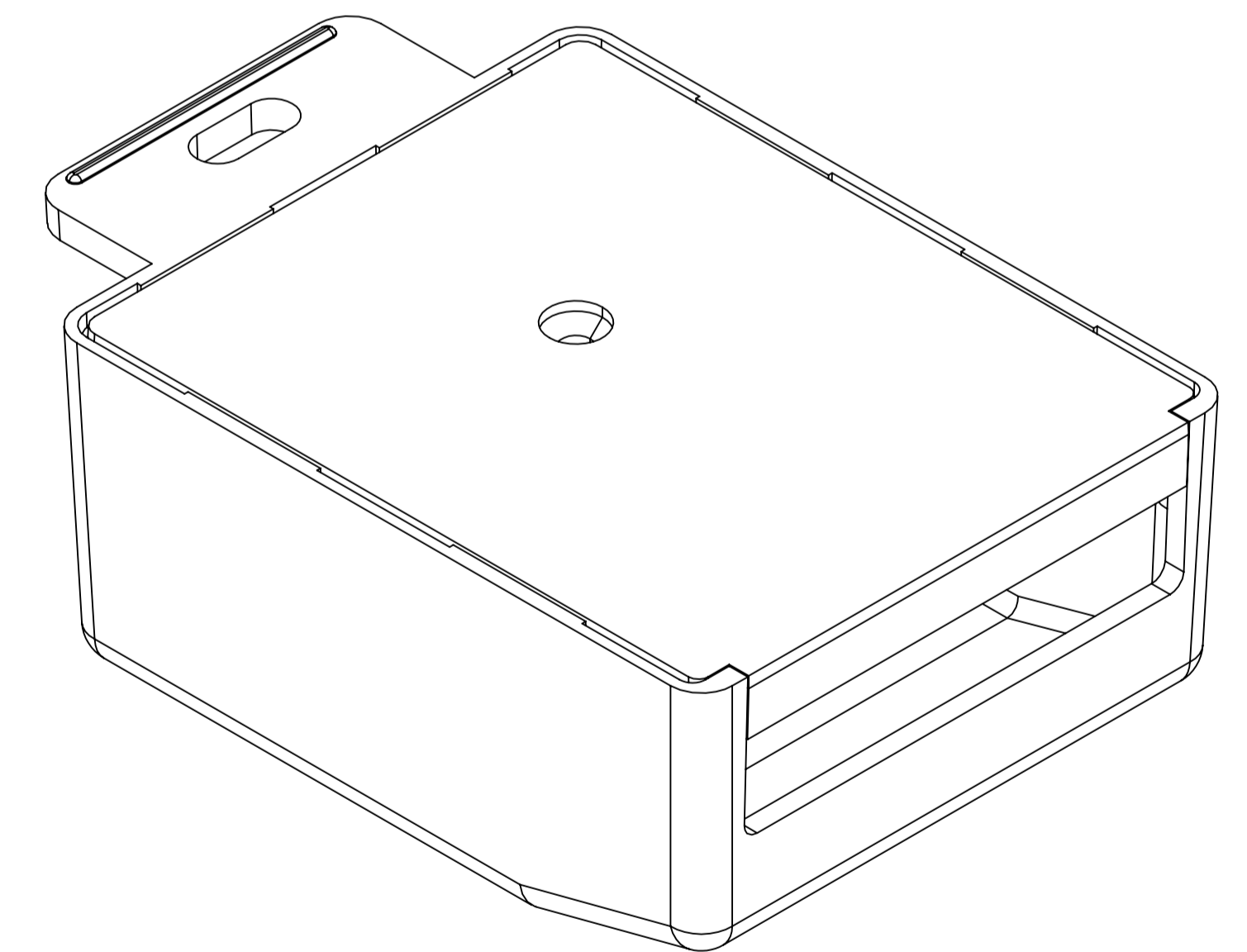
SURFACE-16




SURFACE-14



SURFACE-18



REV. NO.	DATE	REVISED BY	DESCRIPTION OF CHANGE
 ALTINKAYA Electronic Enclosures & Components			www.altinkaya.com
Customer Name:		Customer Ref.:	
Altinkaya Ref.:		Part Name: HH-030-A	
DRAWN	NAME	DATE	Drawn From:
CHECKED	Y. YESLOZ	12.10.2024	Material:
DIMENSIONAL TOLERANCES UNLESS OTHERWISE SPECIFIED:		Weight:	SCALE 1:1 UNIT : mm
(RNF7148)	±0.1	±0.1	±0.2
	3-6mm	6-30mm	30-120mm
			120-400mm
			Dimension(mm)
			m(medium)
			±0.5
			1
			SHEET 2 OF 2