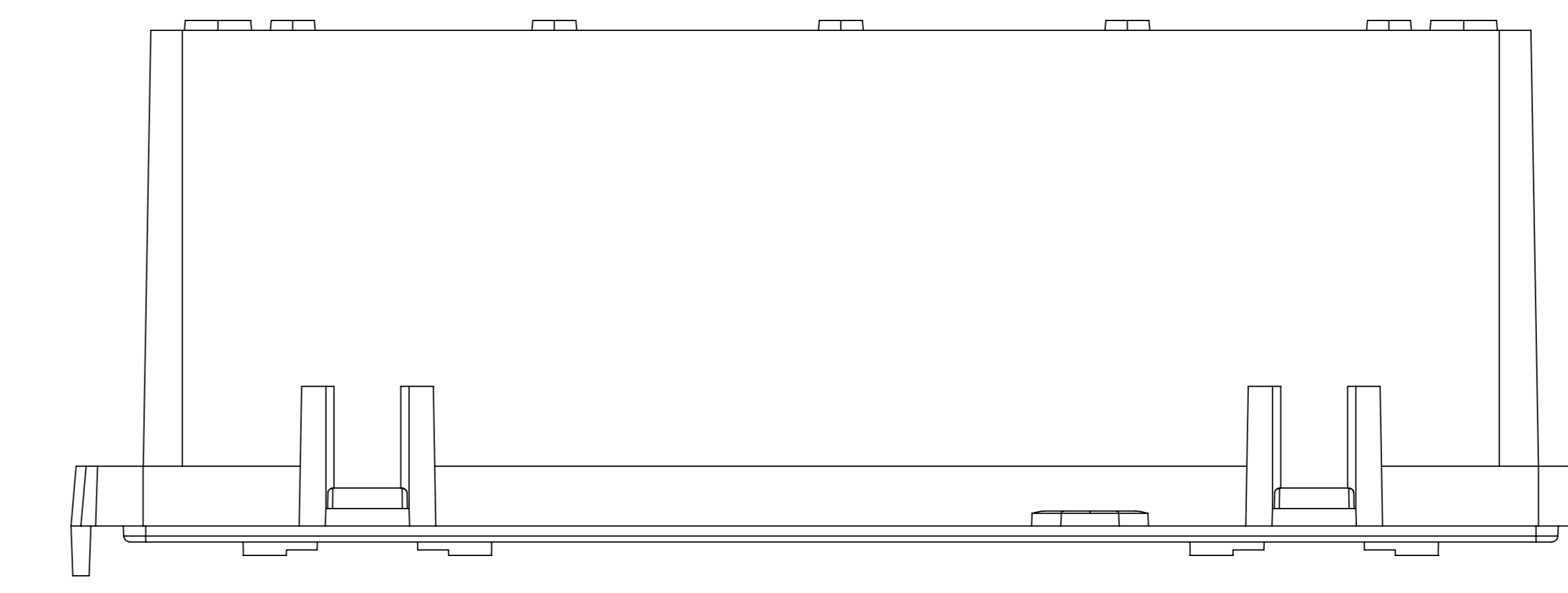


BASE: 6 SURFACE

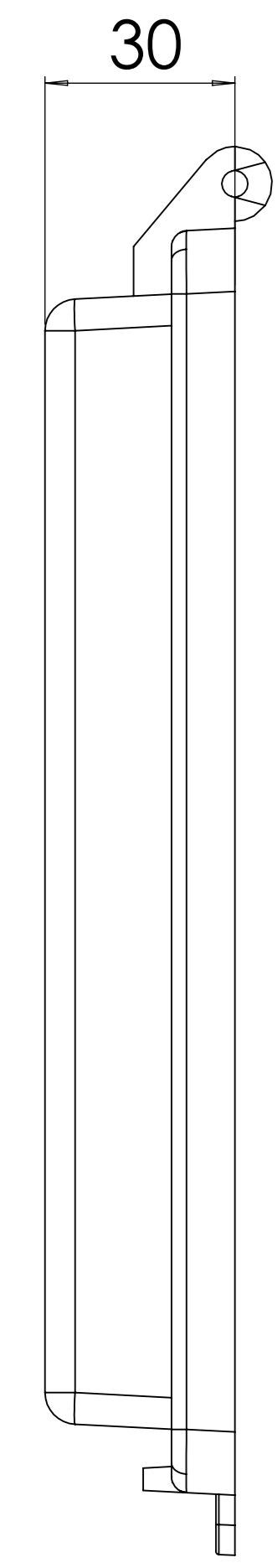
COVER: 6 SURFACE



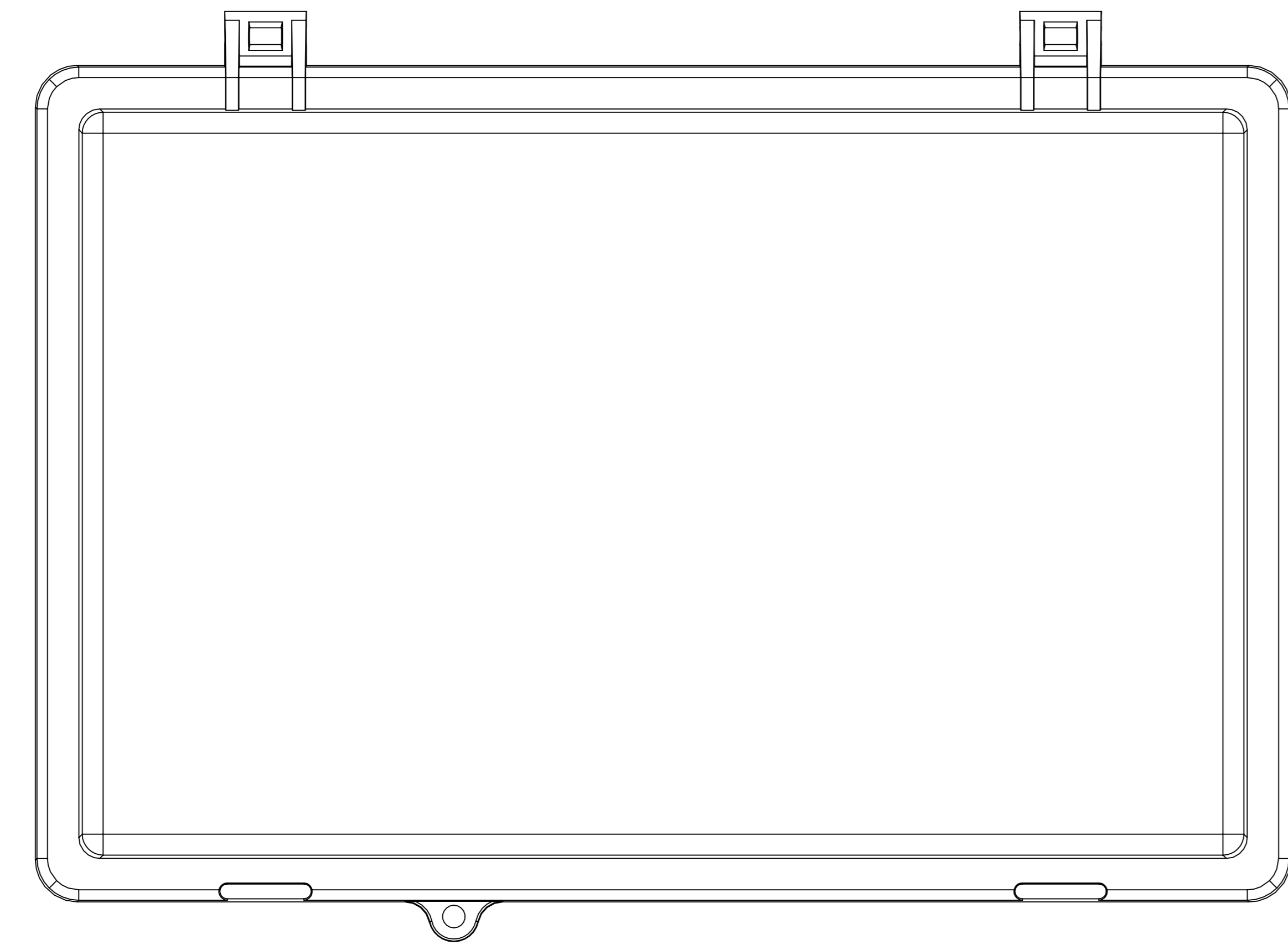
SURFACE-1



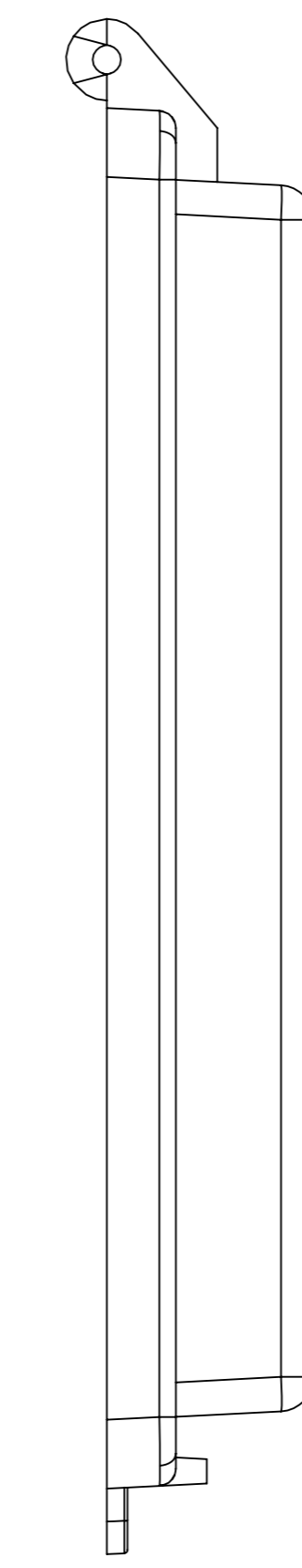
SURFACE-7



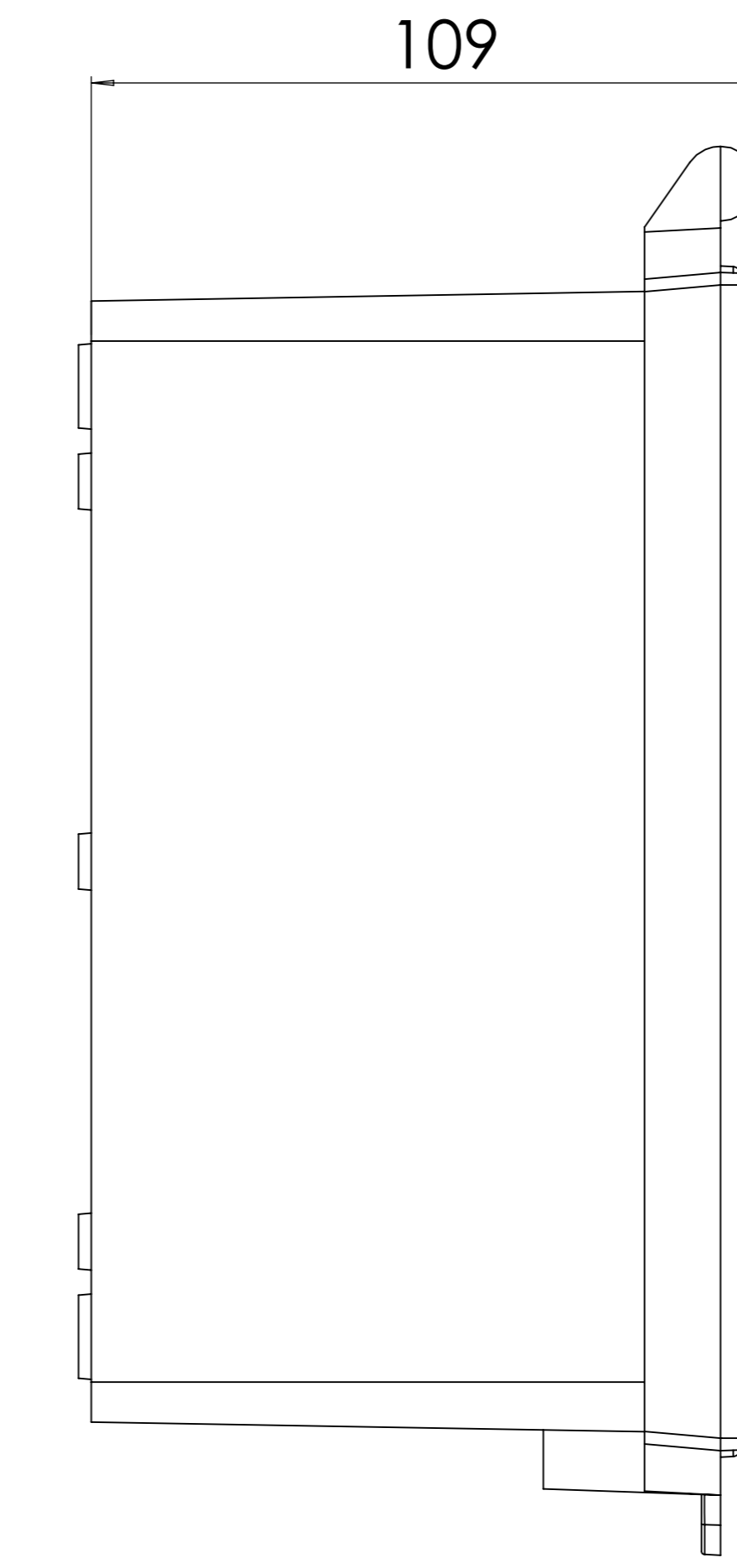
SURFACE-3



SURFACE-5



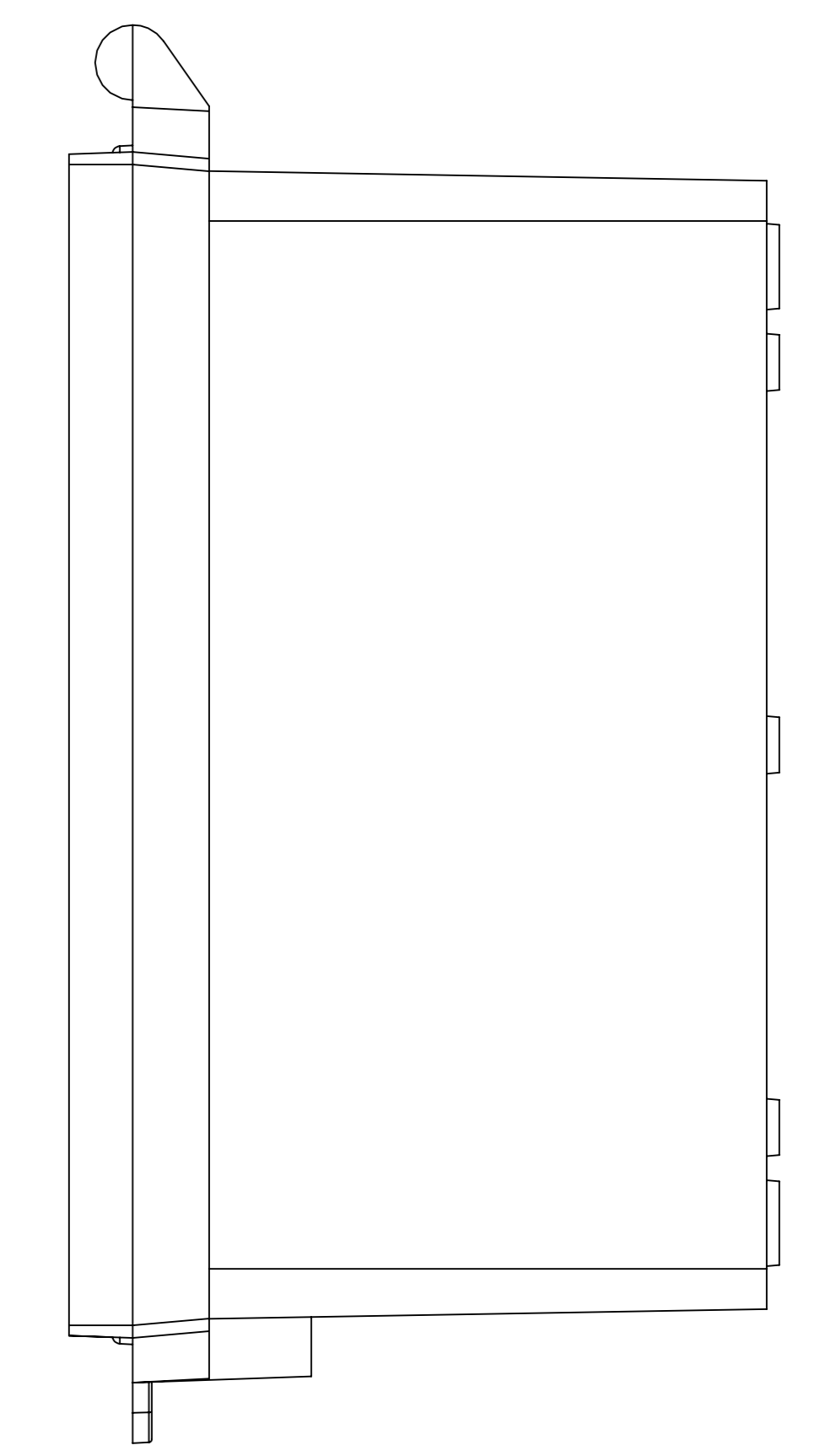
SURFACE-4



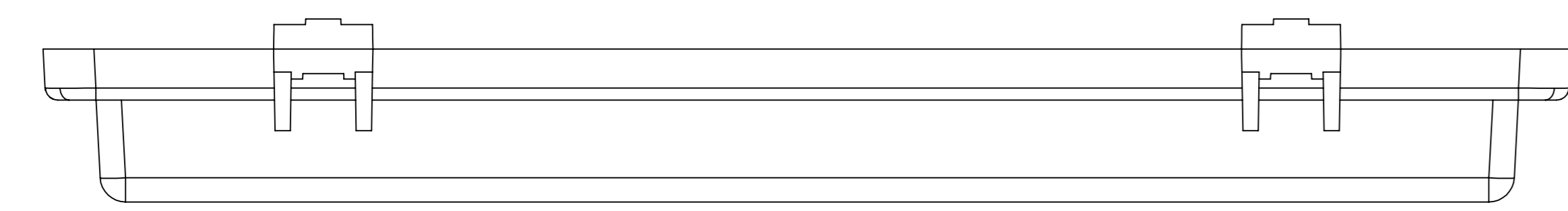
SURFACE-9



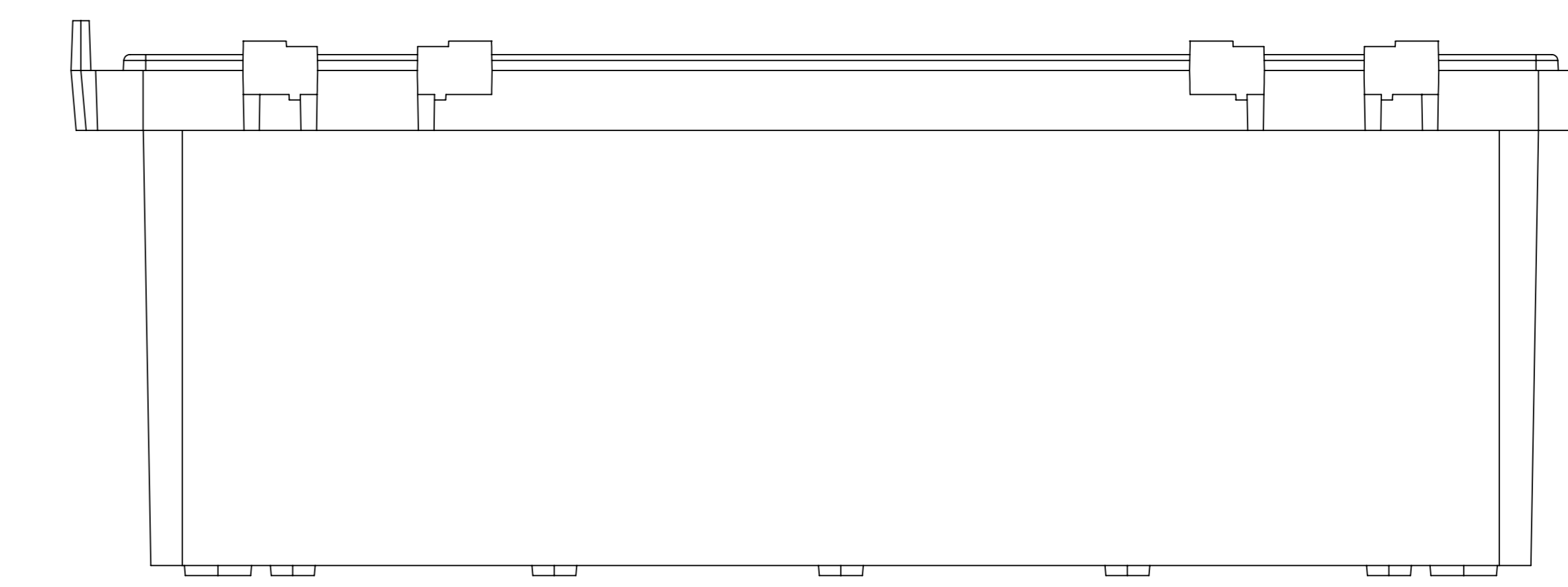
SURFACE-11



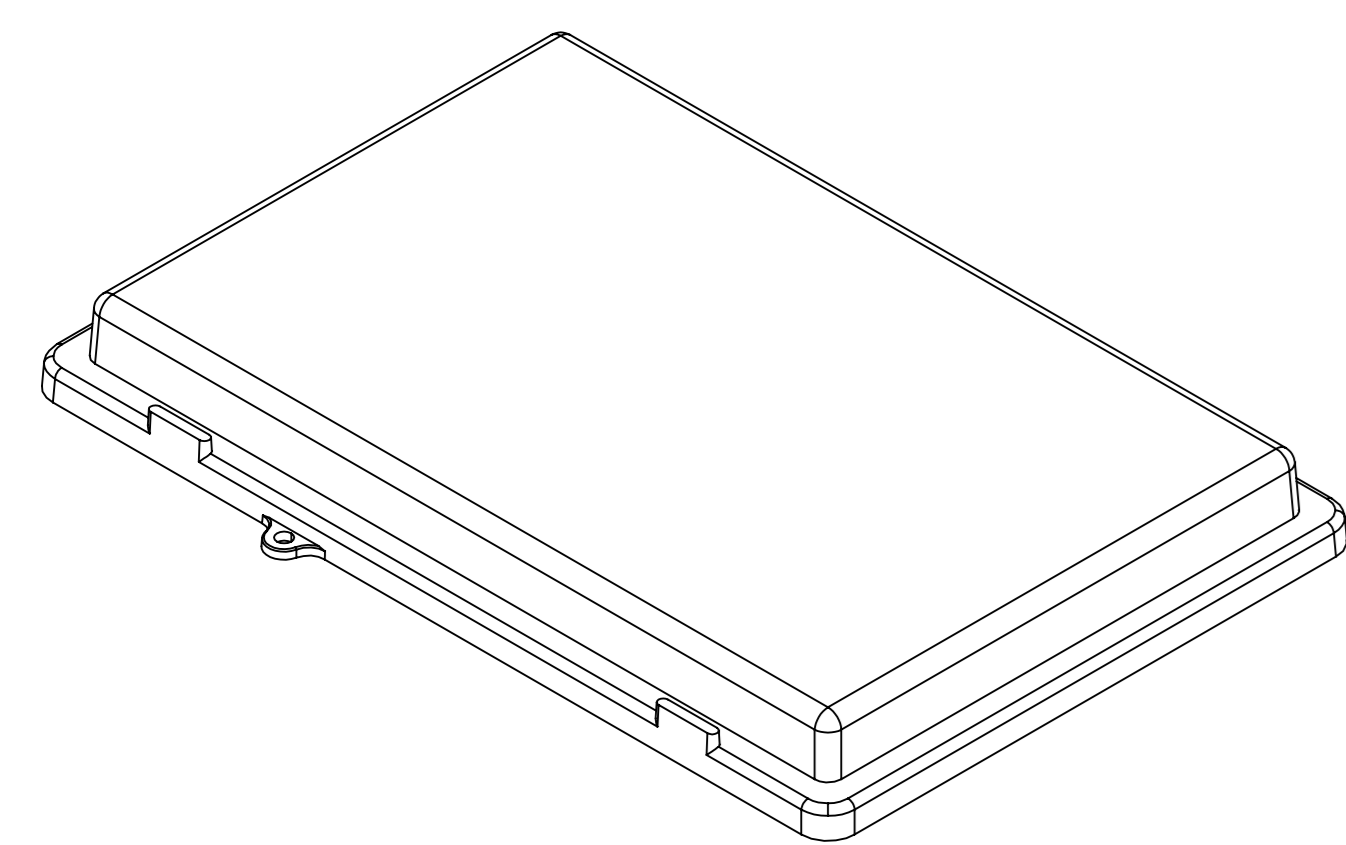
SURFACE-10



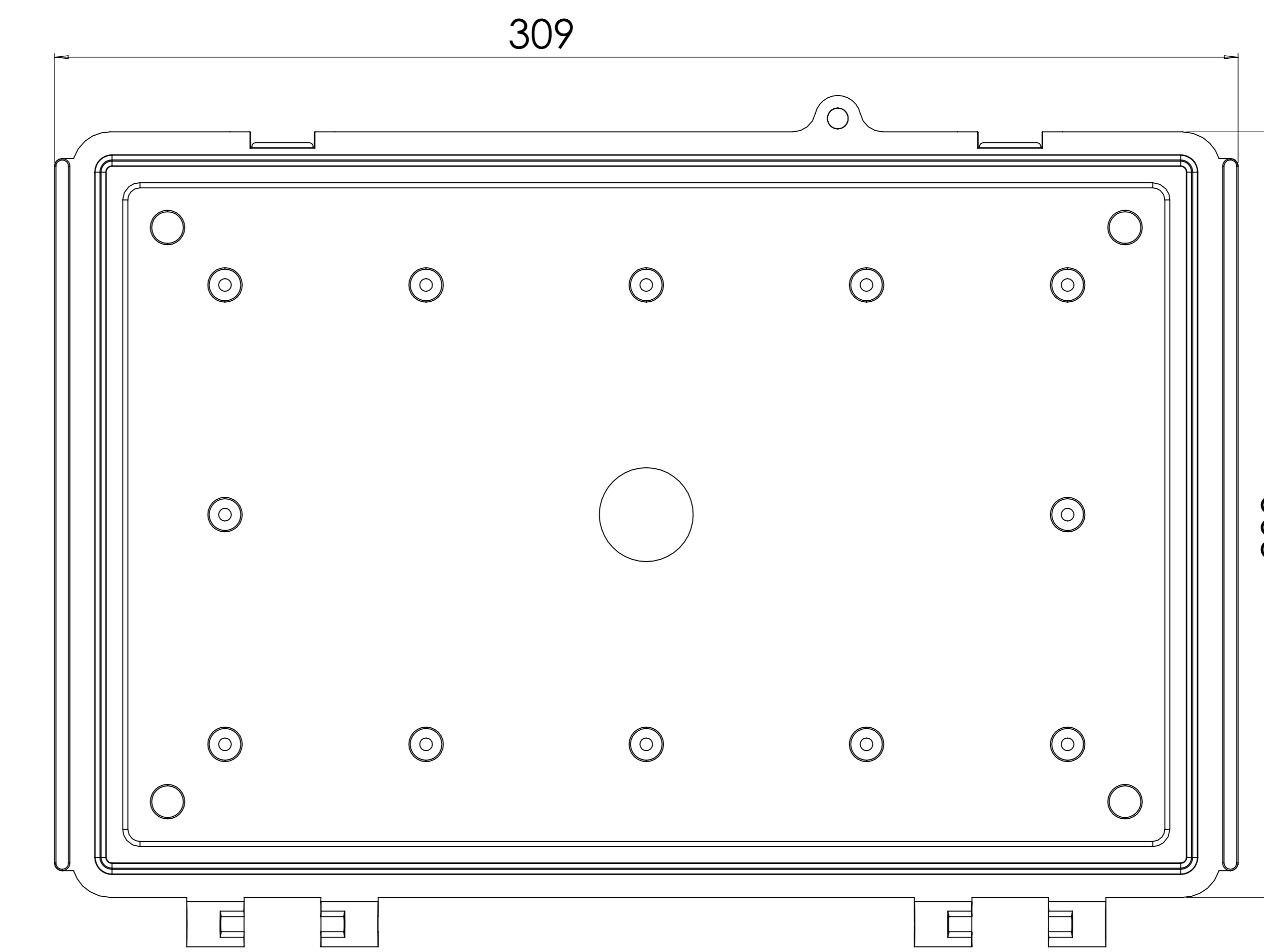
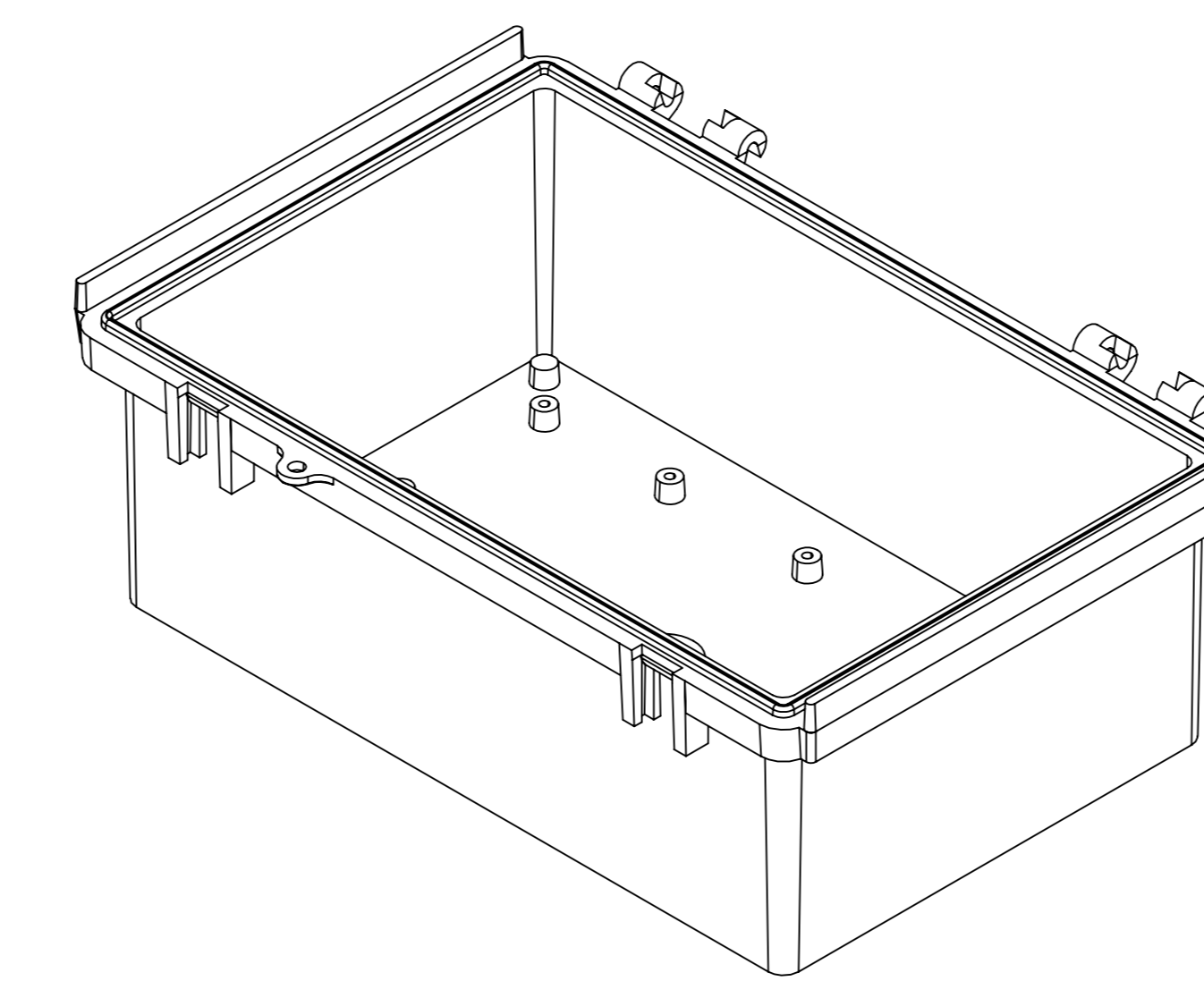
SURFACE-2




SURFACE-8



SURFACE-6 (INSIDE)

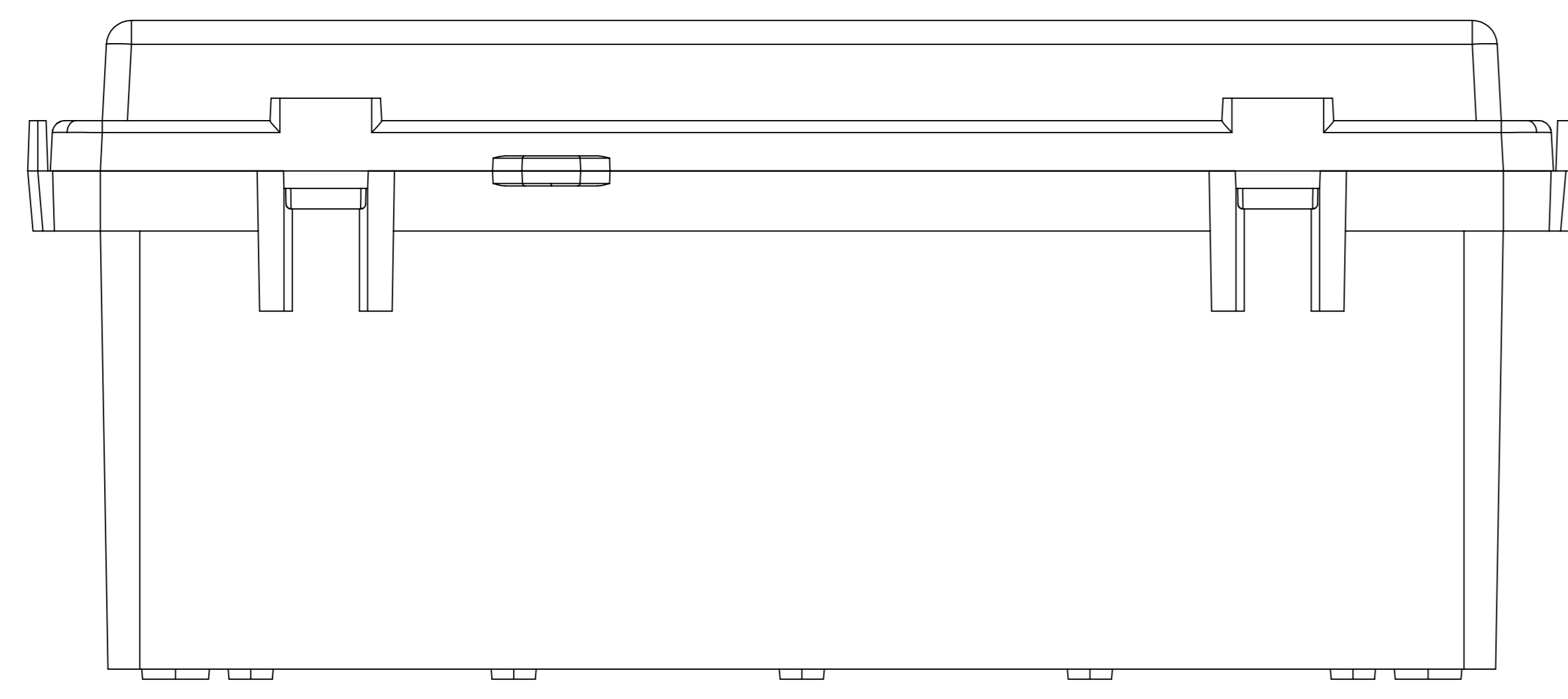


SURFACE-12 (INSIDE)

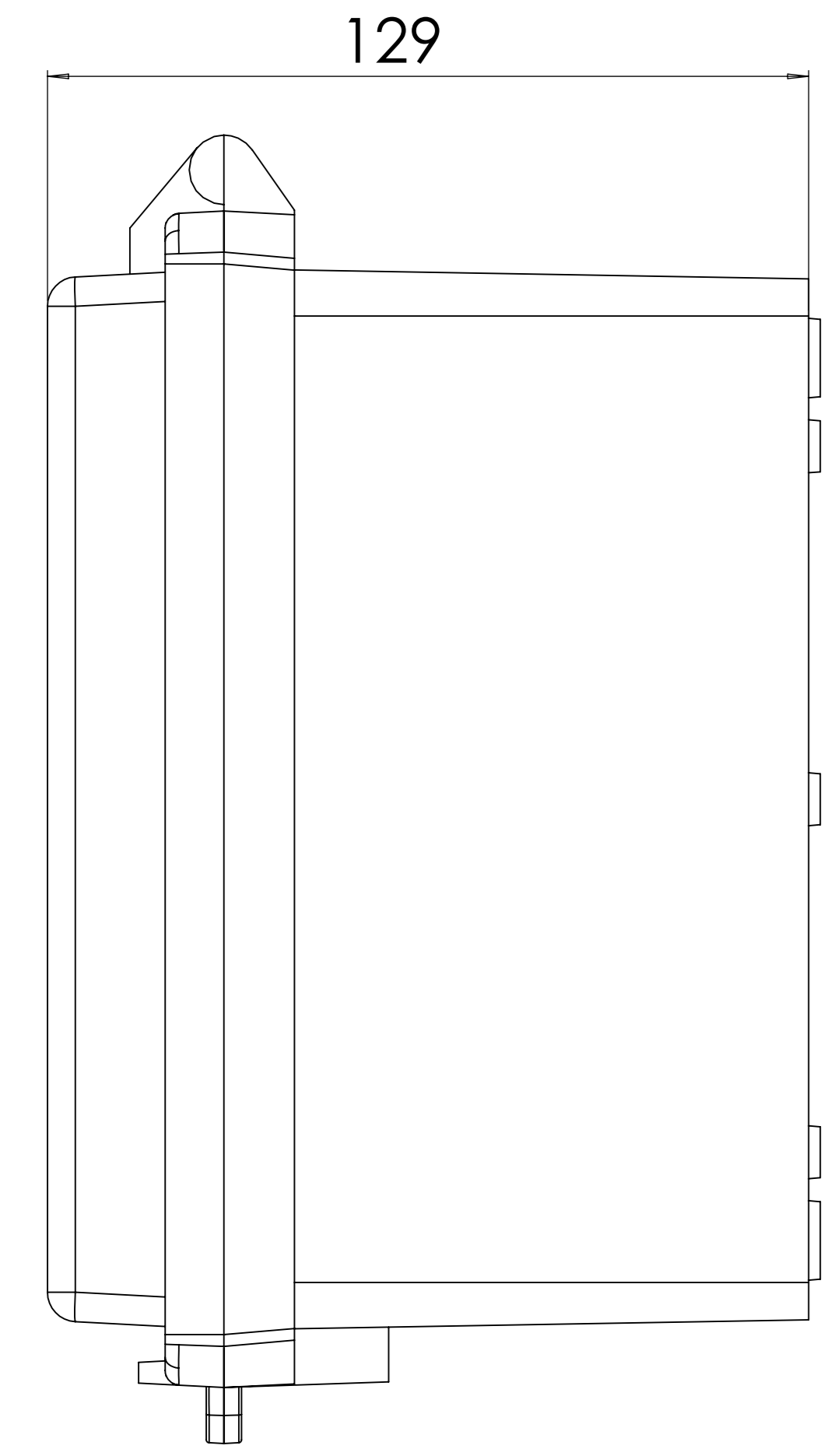
REV. NO	DATE	REVISED BY	DESCRIPTION OF CHANGE
 ALTINKAYA Electronic Enclosures & Components			
Customer Name :		Customer Ref. :	
Altinkaya Ref :		Part Name: EC-2030-13	
DRAWN	NAME	DATE	Drawn From:
CHECKED	Y.YEL	30.09.2024	Material:
DIMENSIONAL TOLERANCES UNLESS OTHERWISE SPECIFIED (DIN7168)			Weight:
±0,1	±0,1	±0,2	±0,3
±0,5	UNIT: mm		Dimension(mm)
			m (medium)

S1

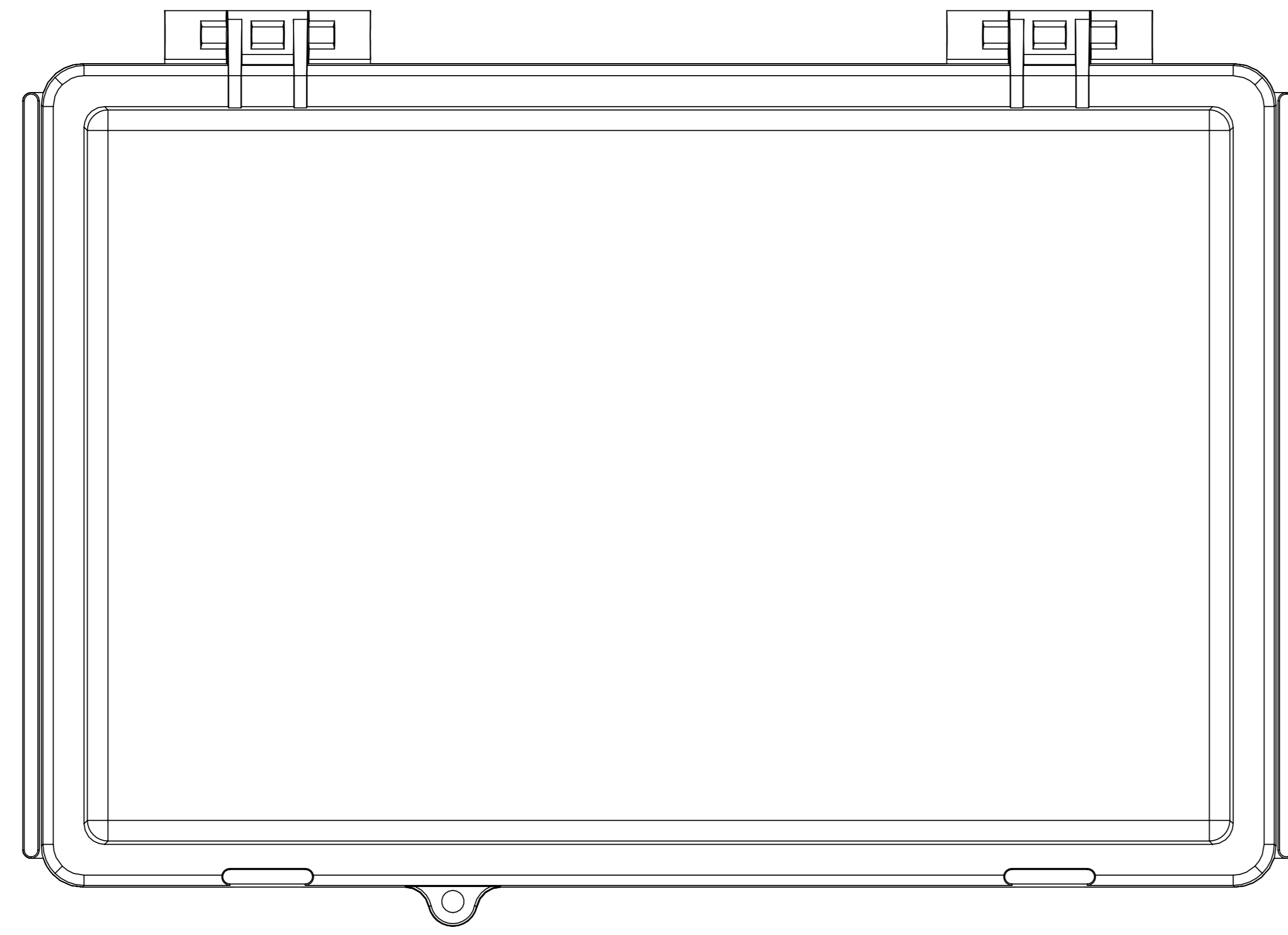
EC-2030-13 IF MACHINED TOGETHER



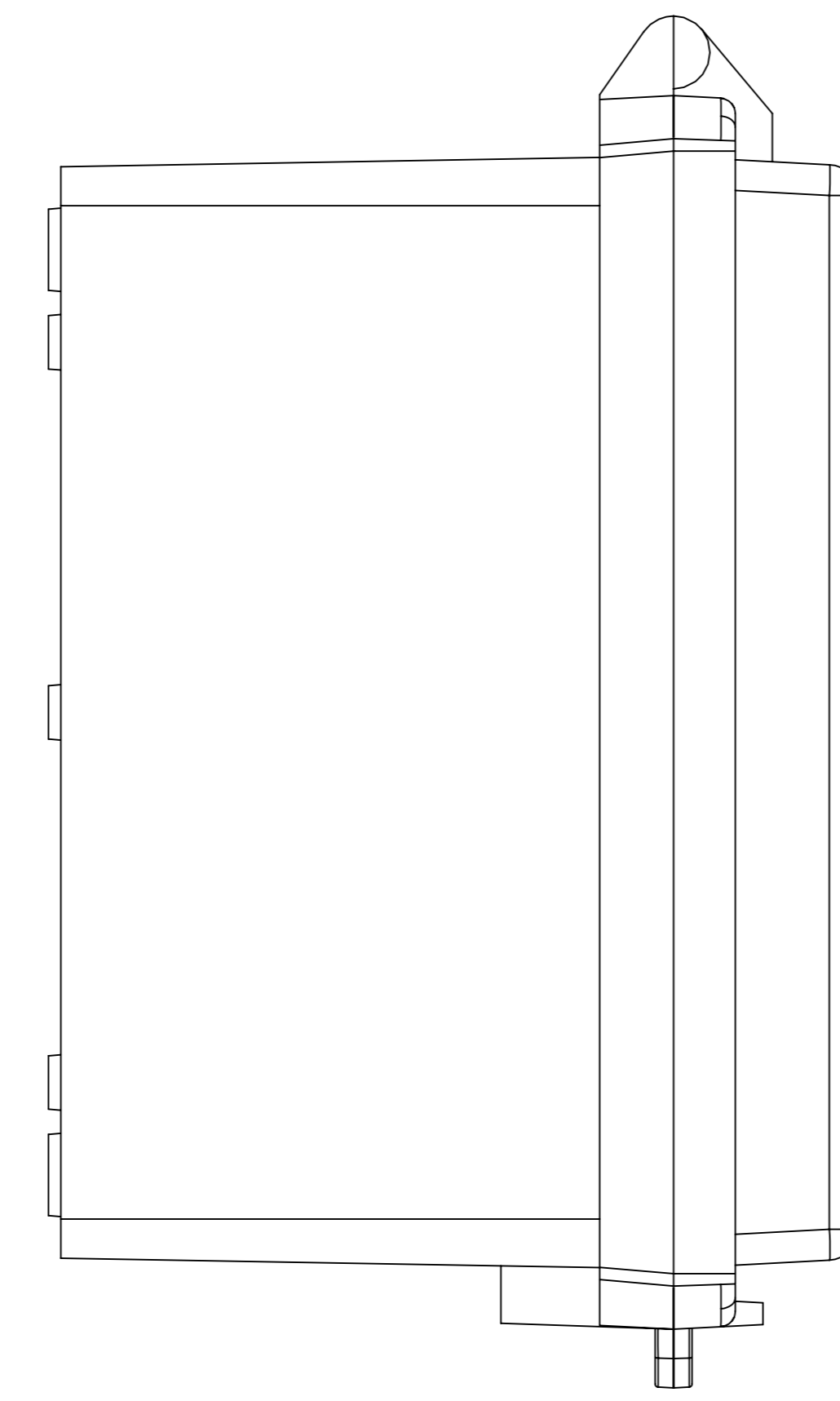
SURFACE-13



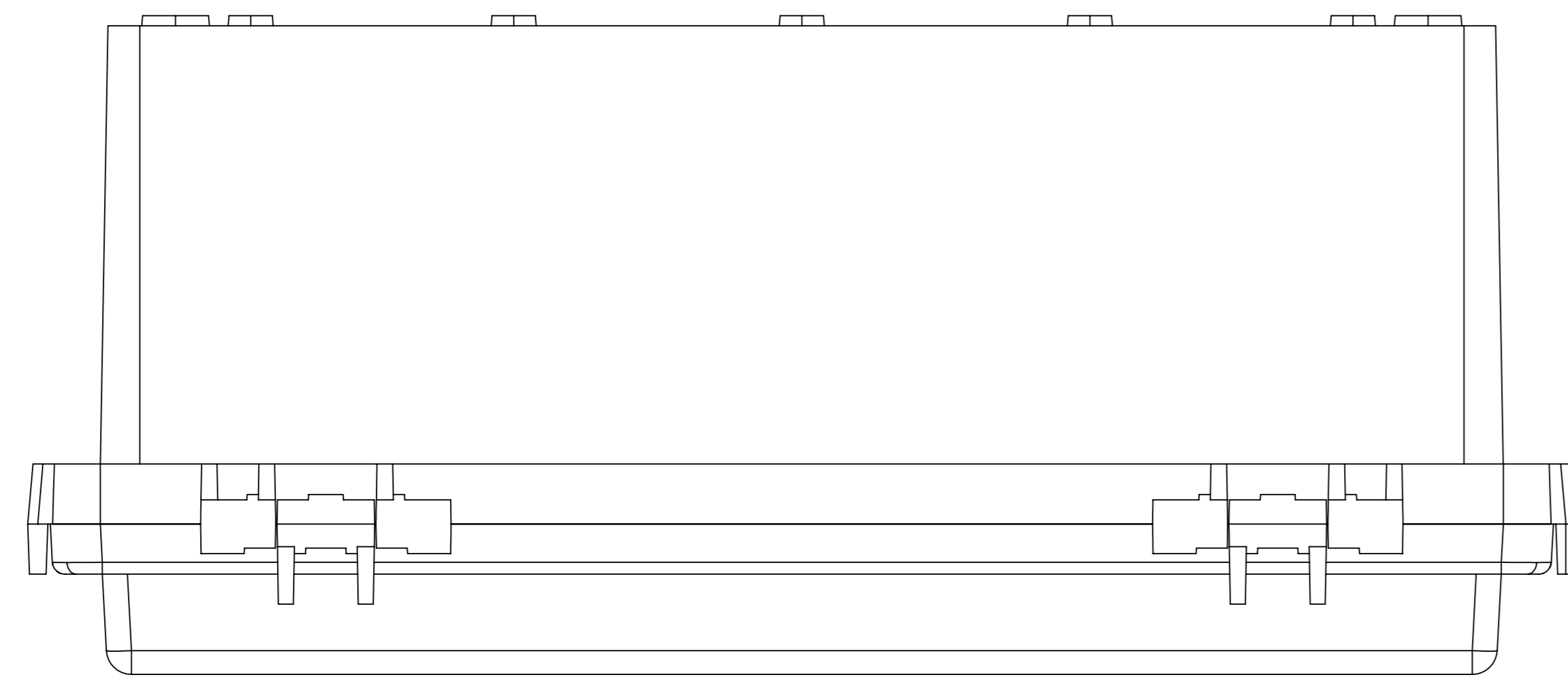
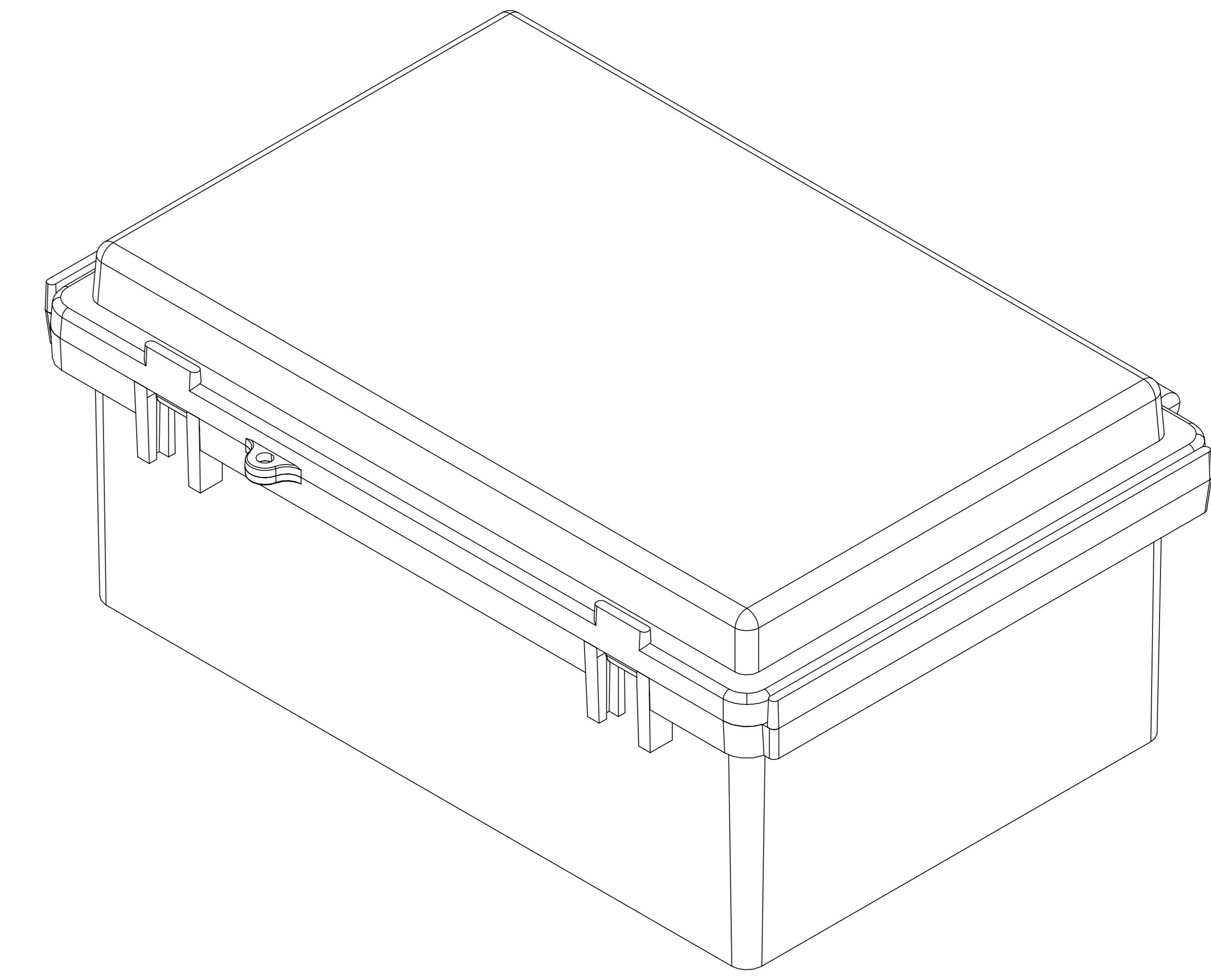
SURFACE-15



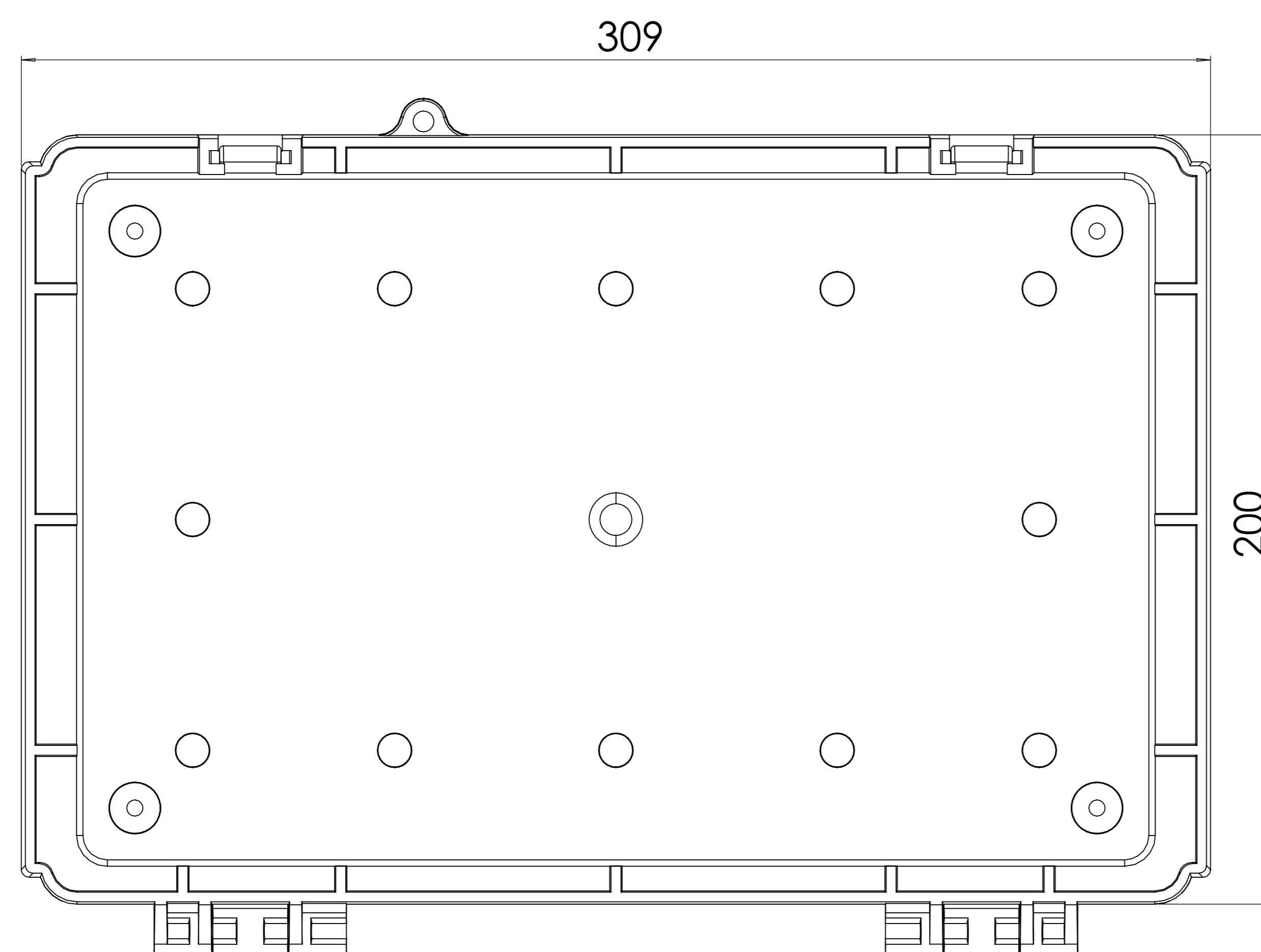
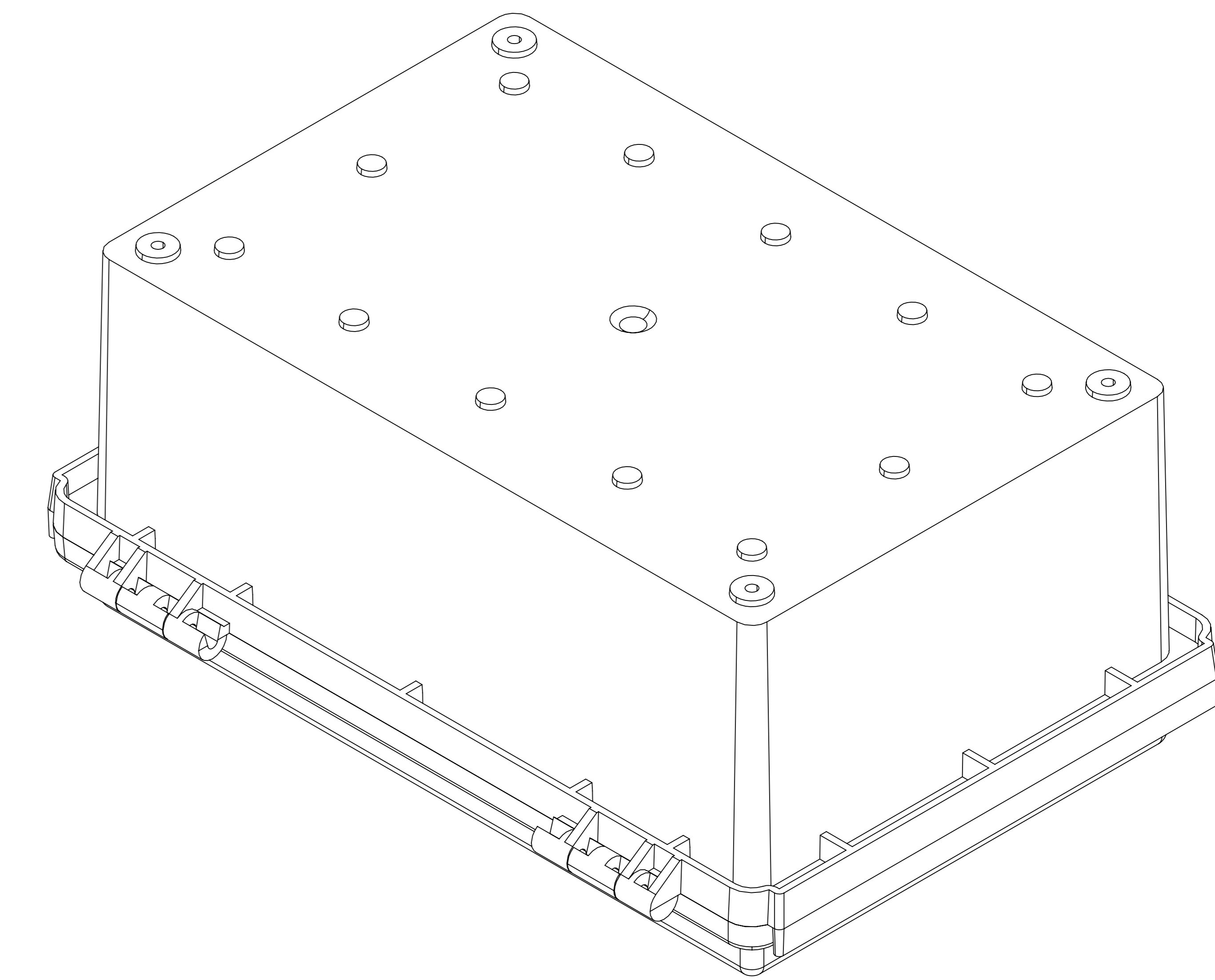
SURFACE-17




SURFACE-16



SURFACE-14



SURFACE-18

REV. NO	DATE	REVISED BY	DESCRIPTION OF CHANGE				
 ALTINKAYA Electronic Enclosures & Components			www.altinkaya.com				
			Customer Name :				
Altinkaya Ref :		Customer Ref. : EC-2030-13					
DRAWN	NAME	DATE	Drawn From:				
CHECKED	Y.YEL	30.09.2024	Material:				
DIMENSIONAL TOLERANCES UNLESS OTHERWISE SPECIFIED (DIN7168)			Weight:				
	0.5-3mm	3-6mm	6-30mm	30-120mm	120-400mm	Dimension(mm)	UNIT: mm
	±0,1	±0,1	±0,2	±0,3	±0,5	m (medium)	