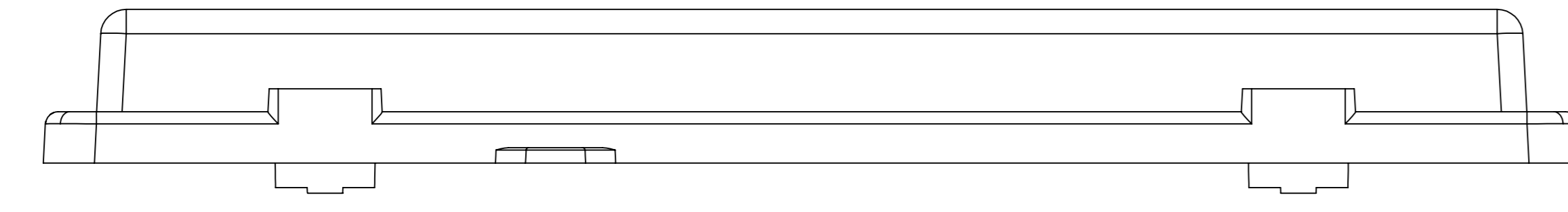
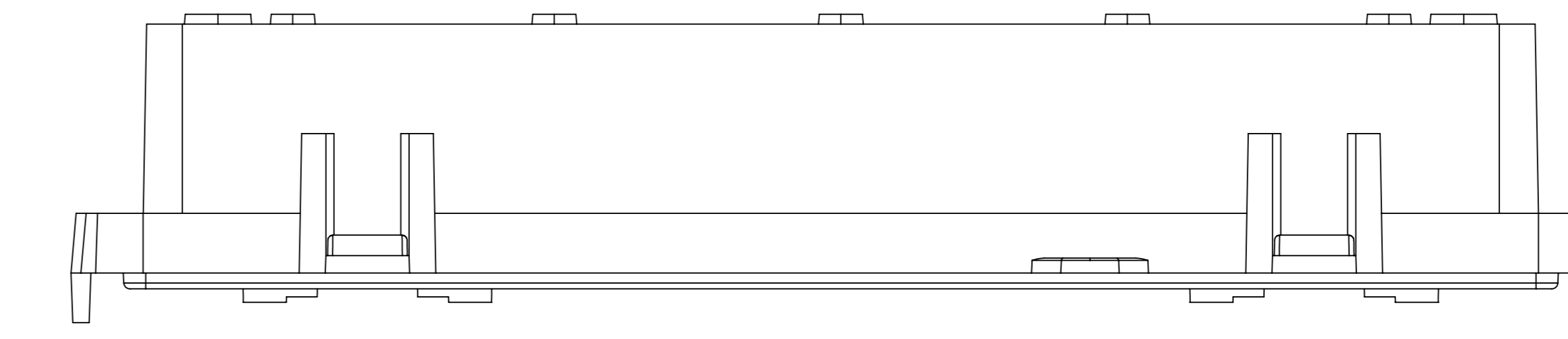


**BASE: 6 SURFACE**

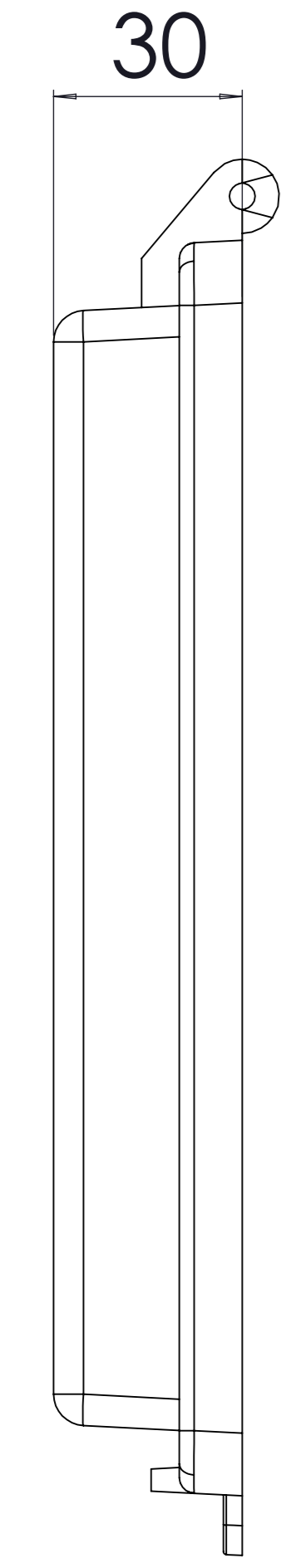
**COVER: 6 SURFACE**



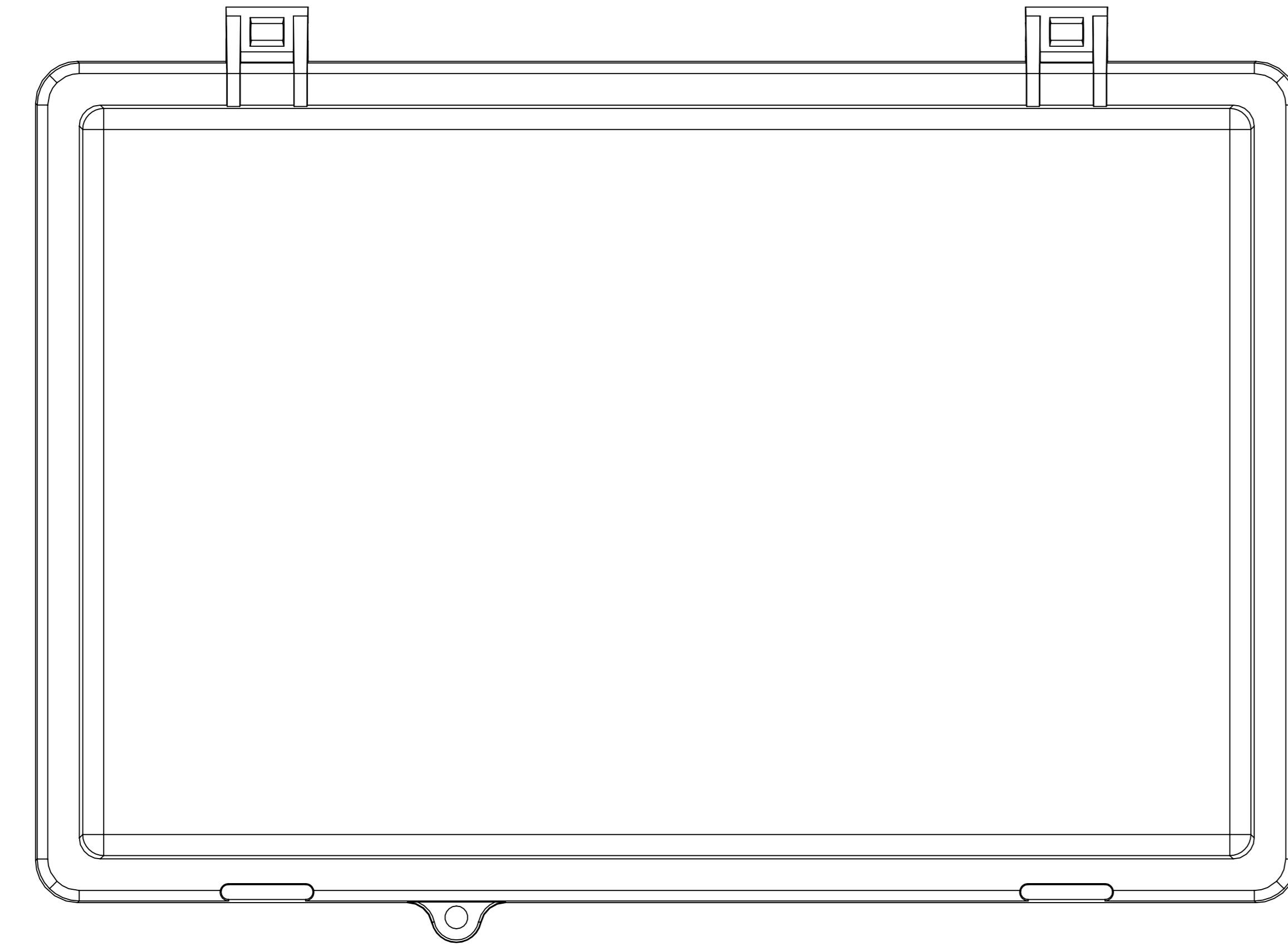
SURFACE-1



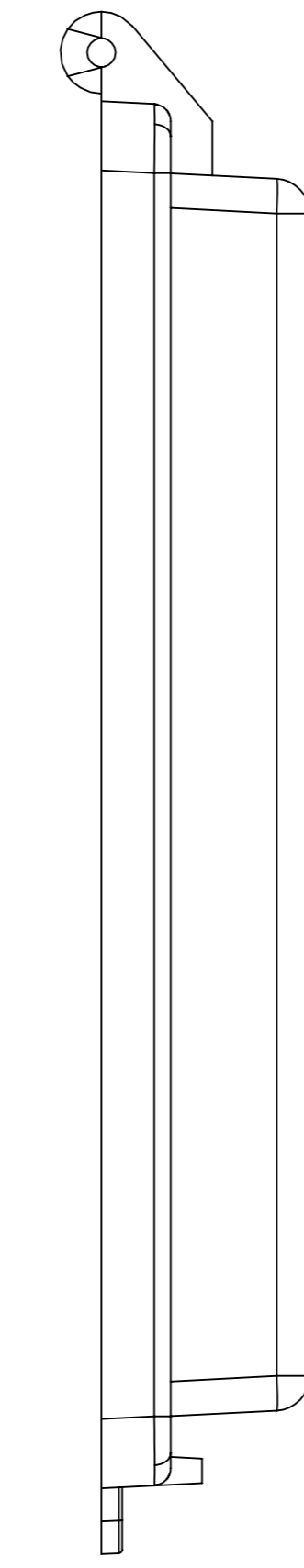
SURFACE-7



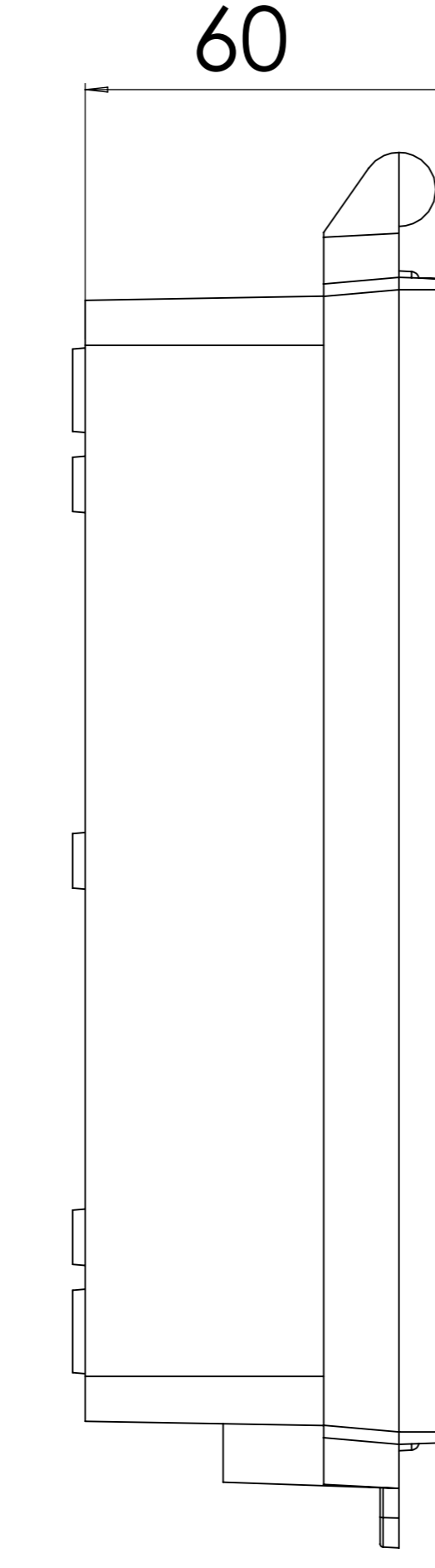
SURFACE-3



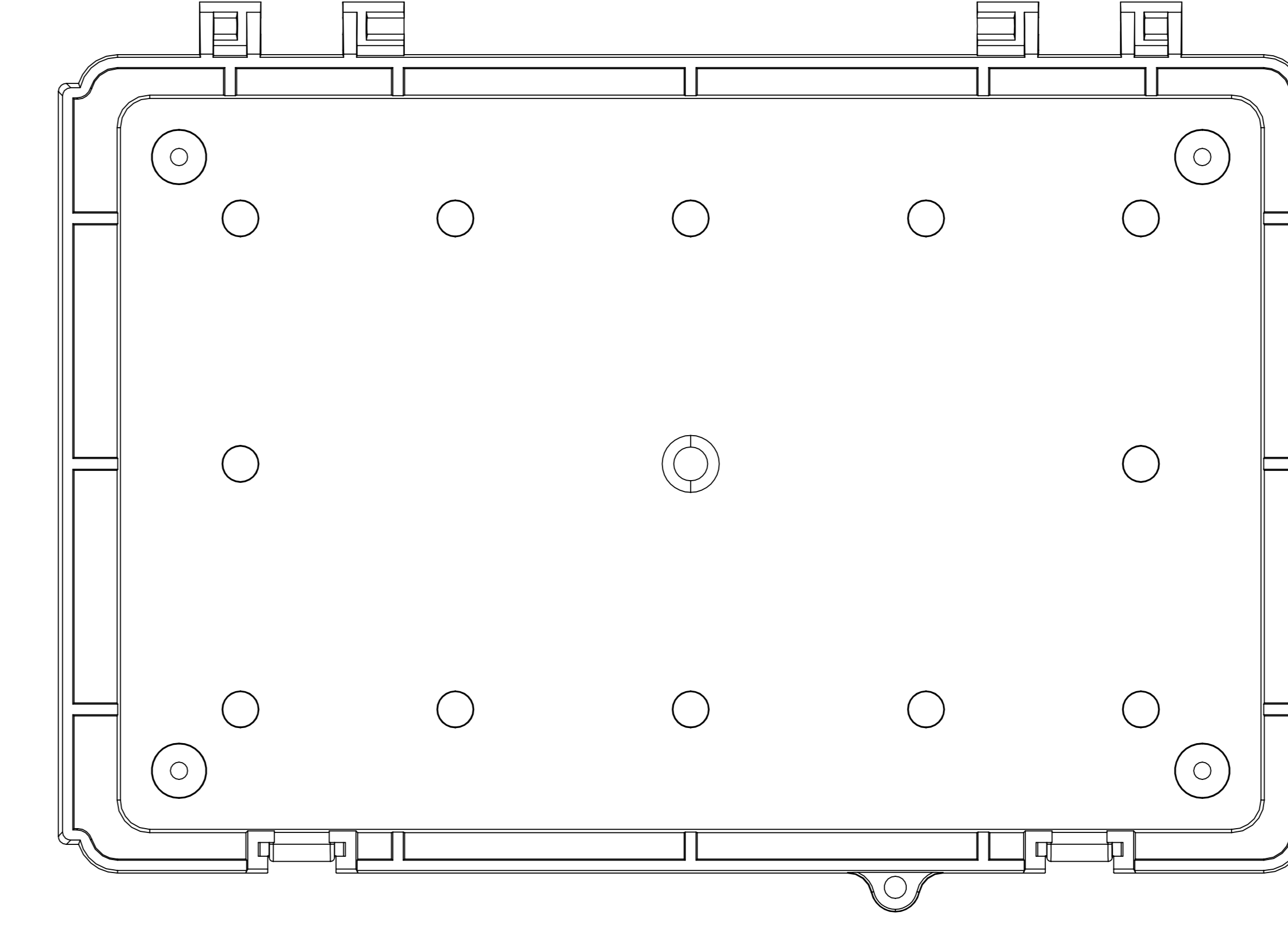
SURFACE-5



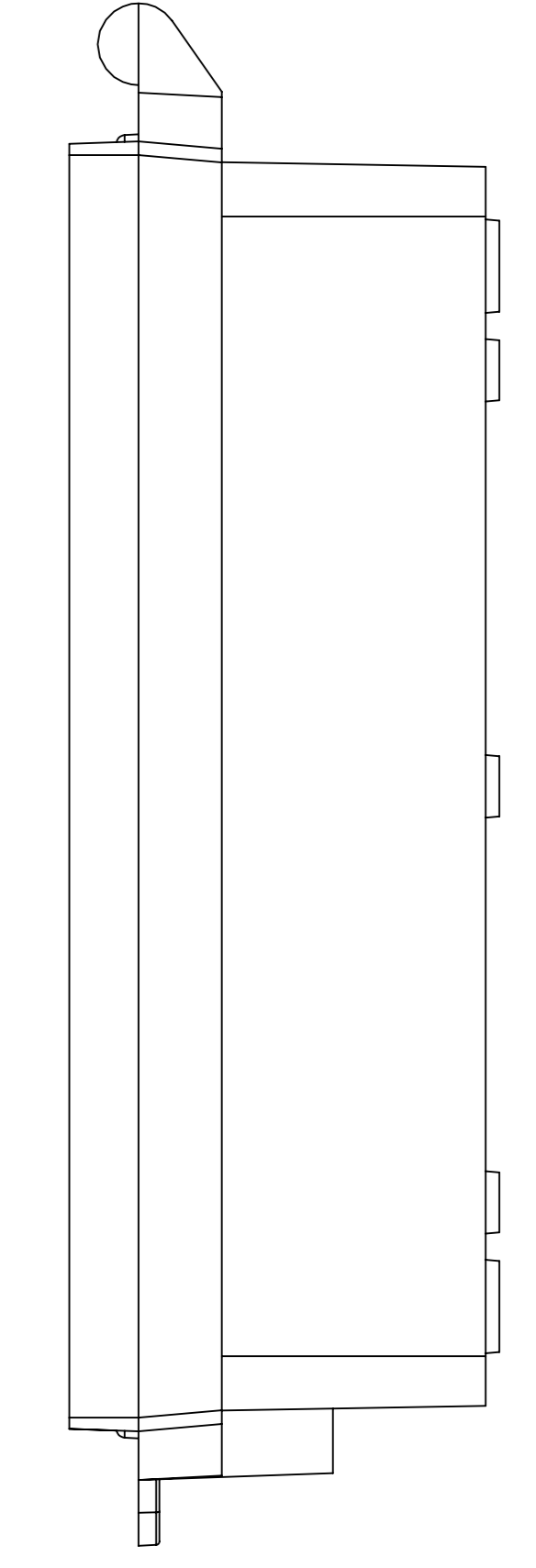
SURFACE-4



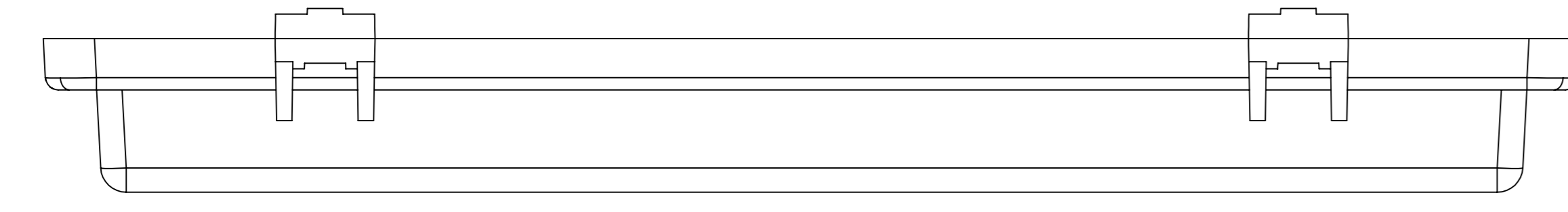
SURFACE-9



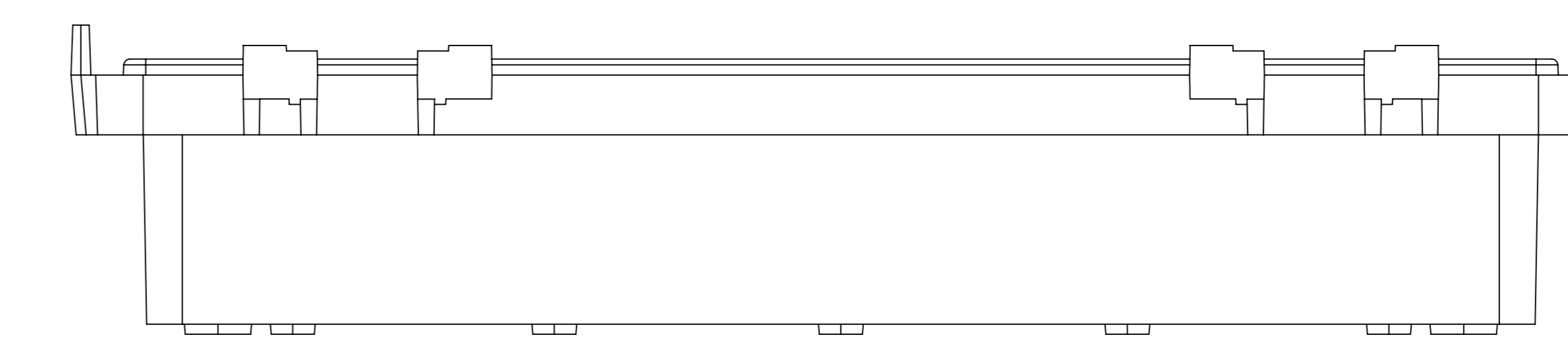
SURFACE-11



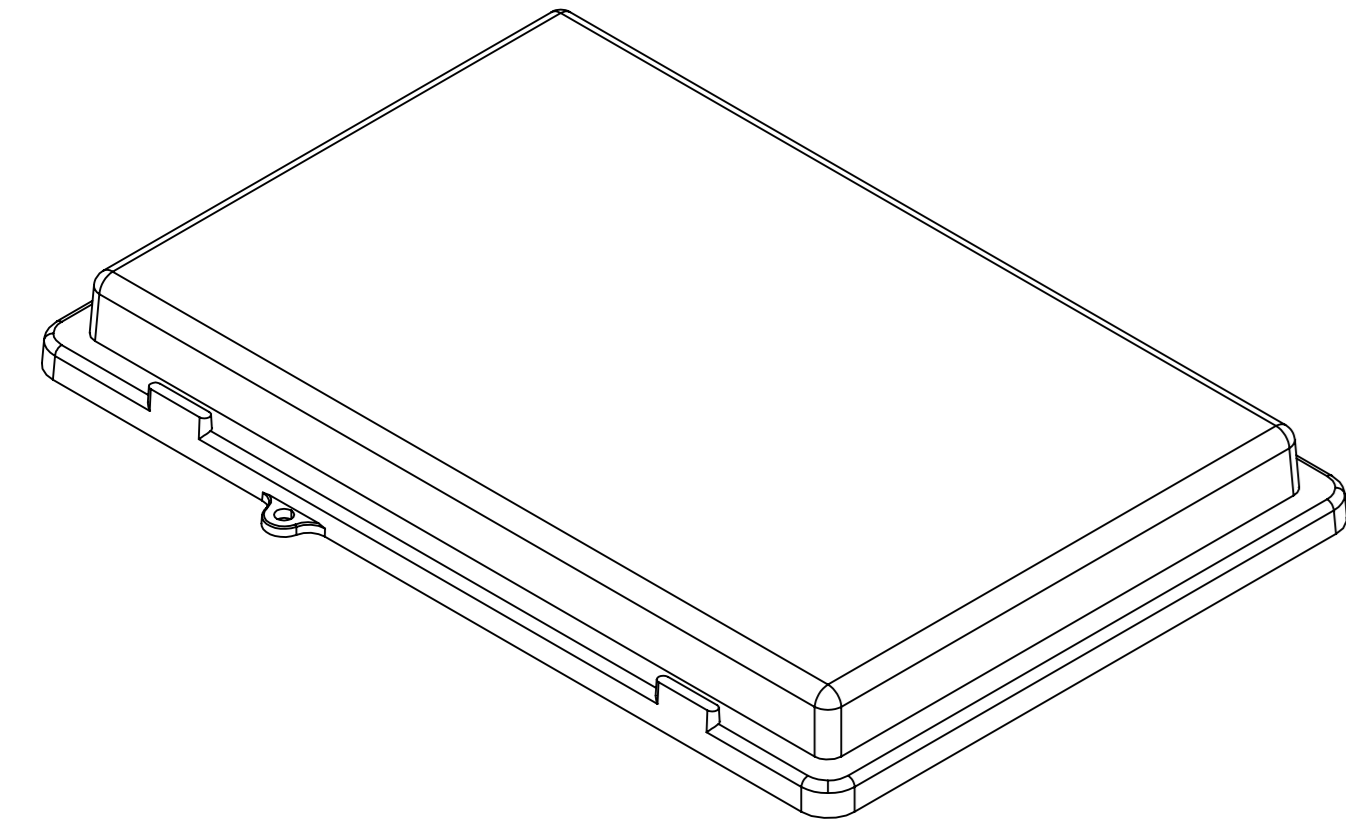
SURFACE-10



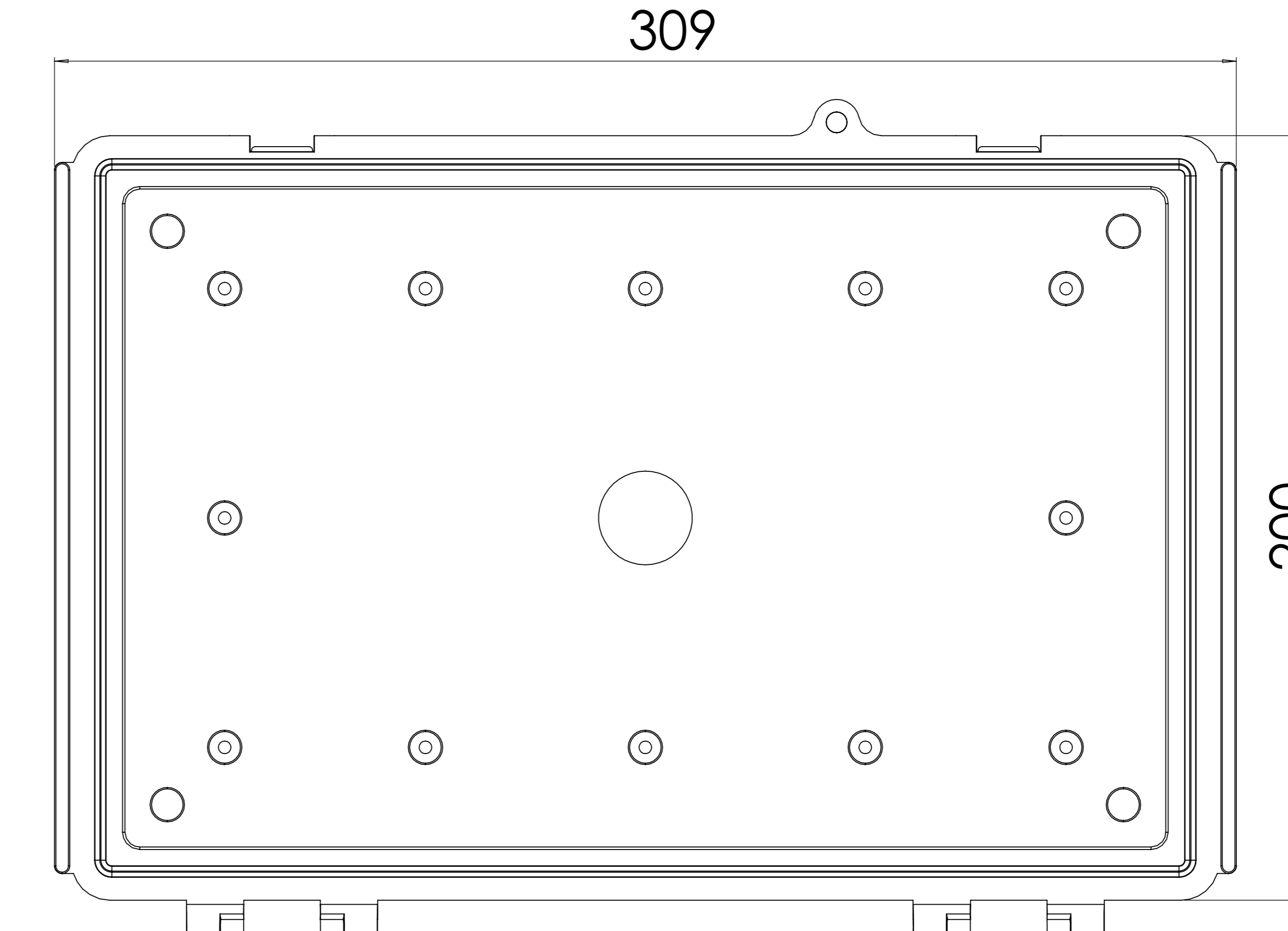
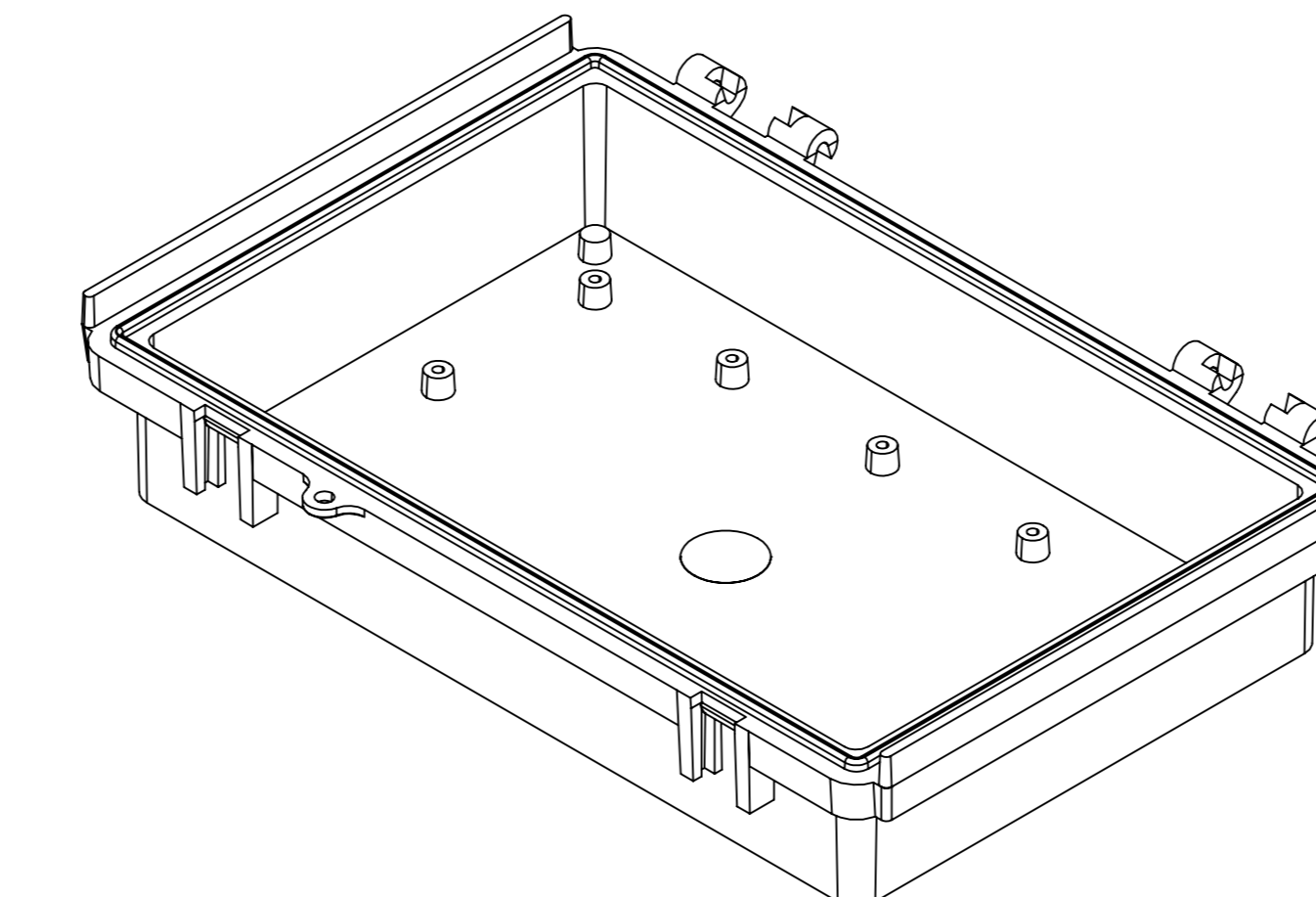
SURFACE-2




SURFACE-8



SURFACE-6 (INSIDE)

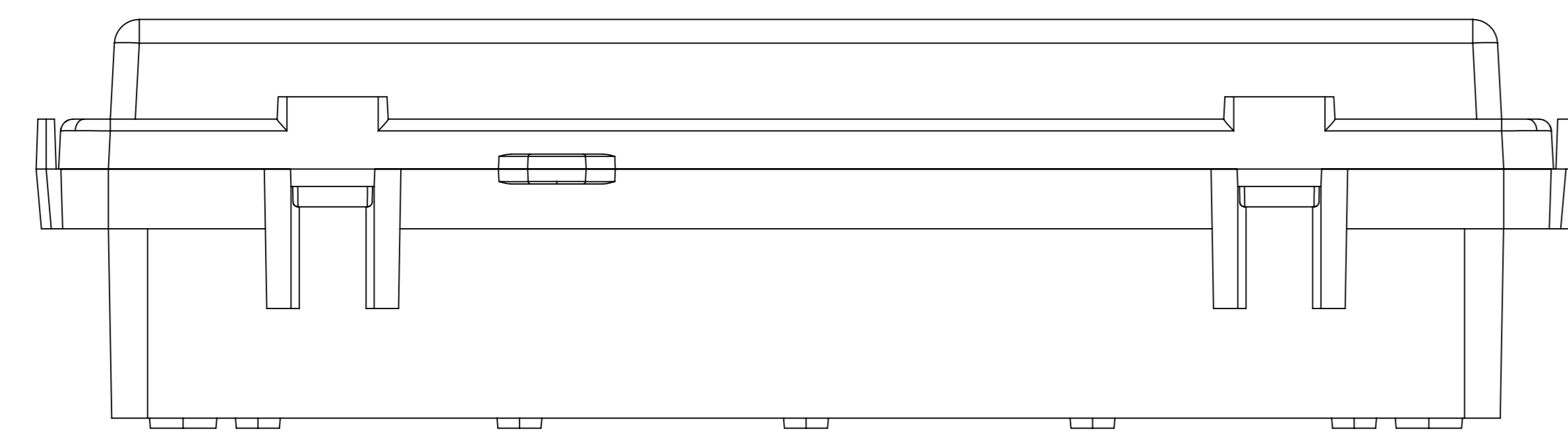


SURFACE-12 (INSIDE)

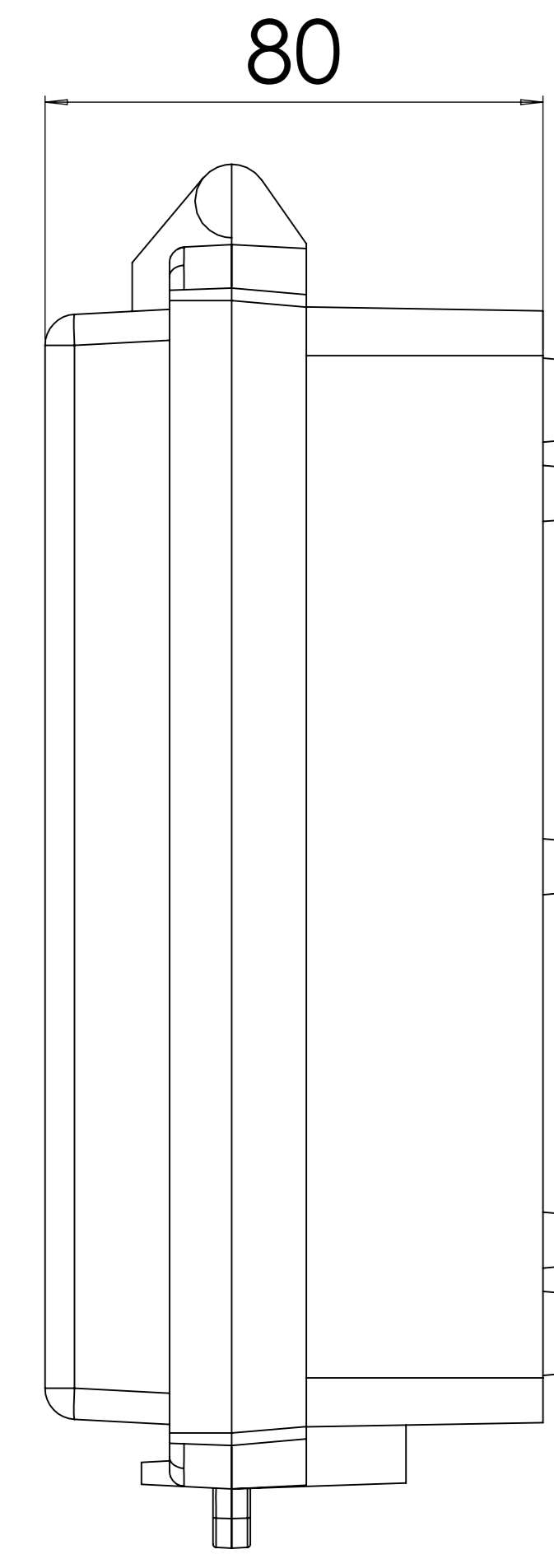
REV. NO	DATE	REVISED BY	DESCRIPTION OF CHANGE
 <b>ALTINKAYA</b> Electronic Enclosures & Components			
Customer Name :		Customer Ref. :	
Altinkaya Ref :		Part Name: EC-2030-8	
DRAWN	NAME	DATE	Drawn From:
CHECKED	Y.YEL	30.09.2024	Material:
DIMENSIONAL TOLERANCES UNLESS OTHERWISE SPECIFIED (DIN7168)			Weight:
±0,1	±0,1	±0,2	±0,3
±0,5	±0,5	±0,5	±0,5
UNIT: mm			Dimension(mm)
m (medium)			



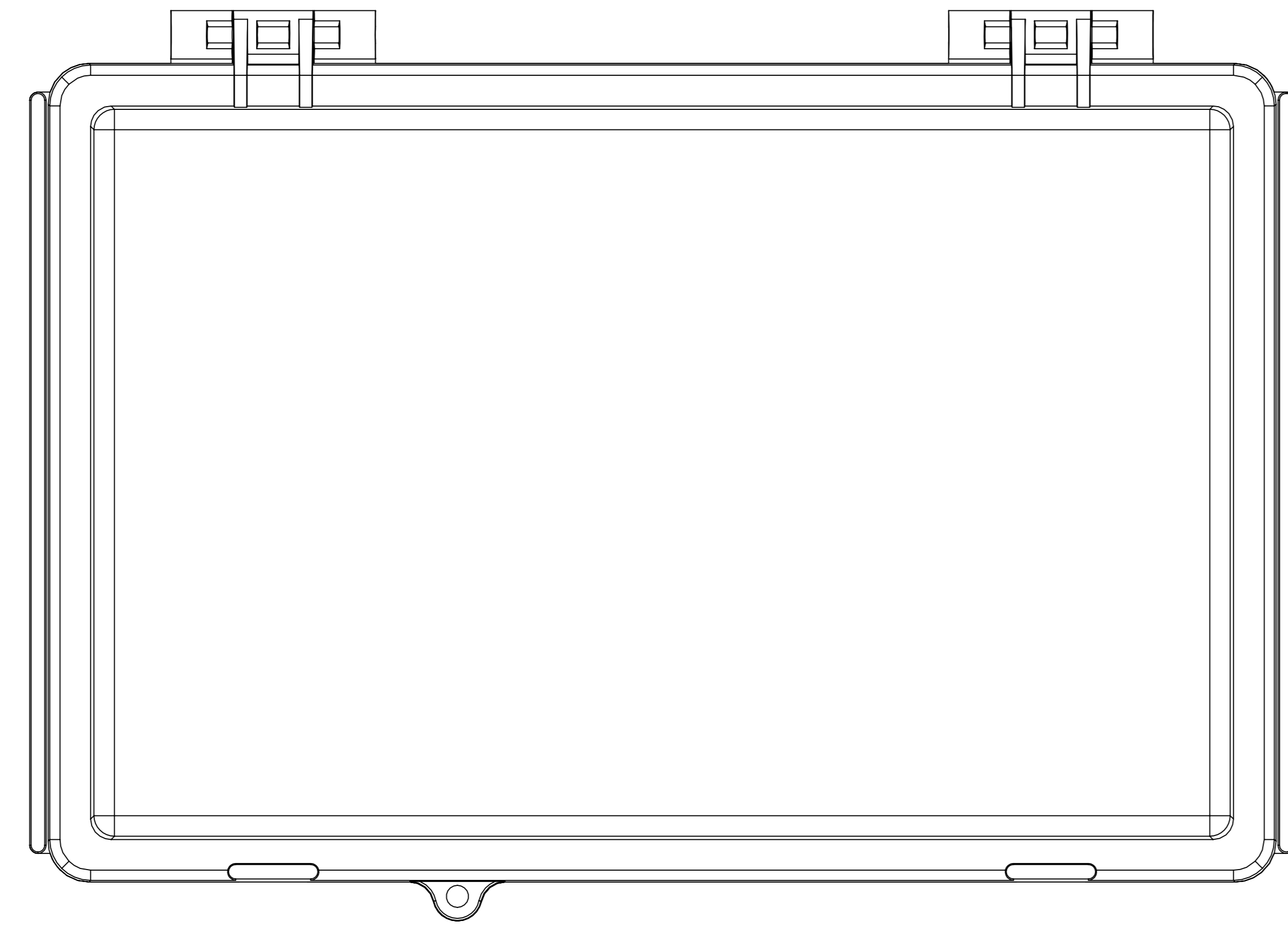
**EC-2030-8 IF MACHINED TOGETHER**



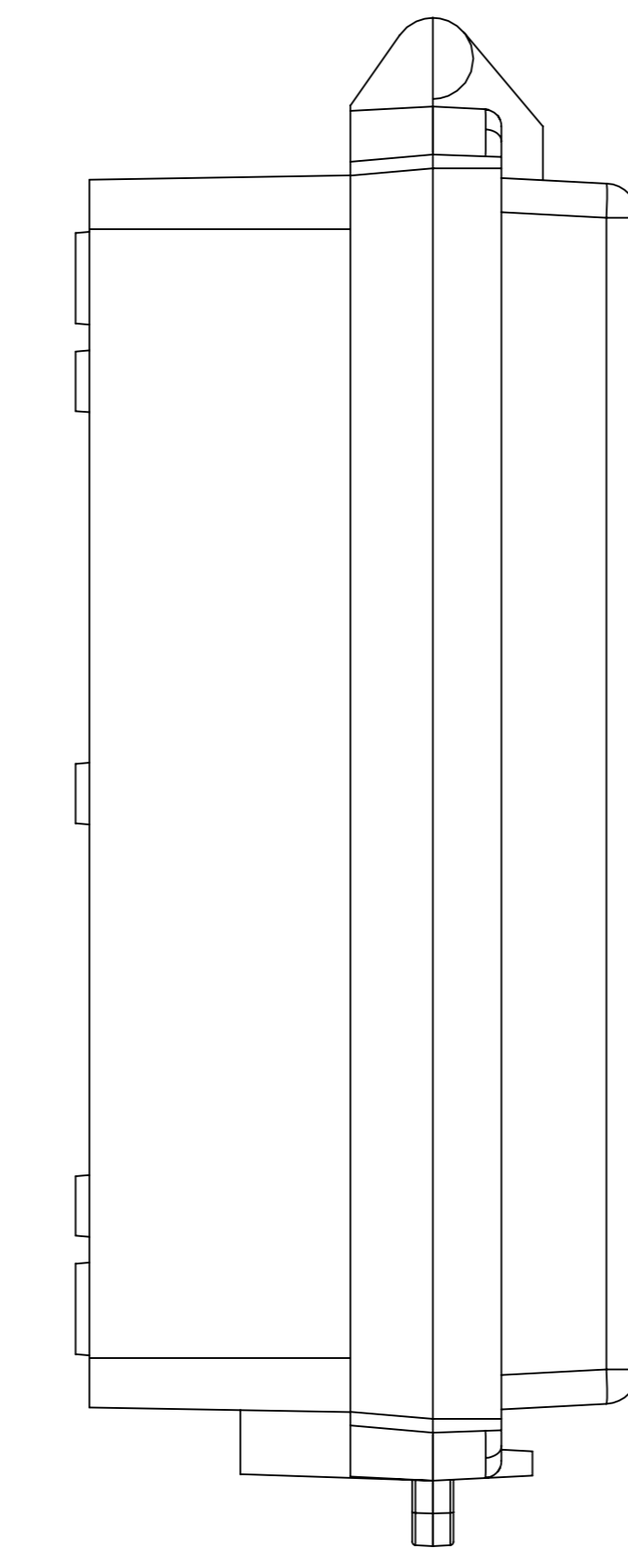
SURFACE-13



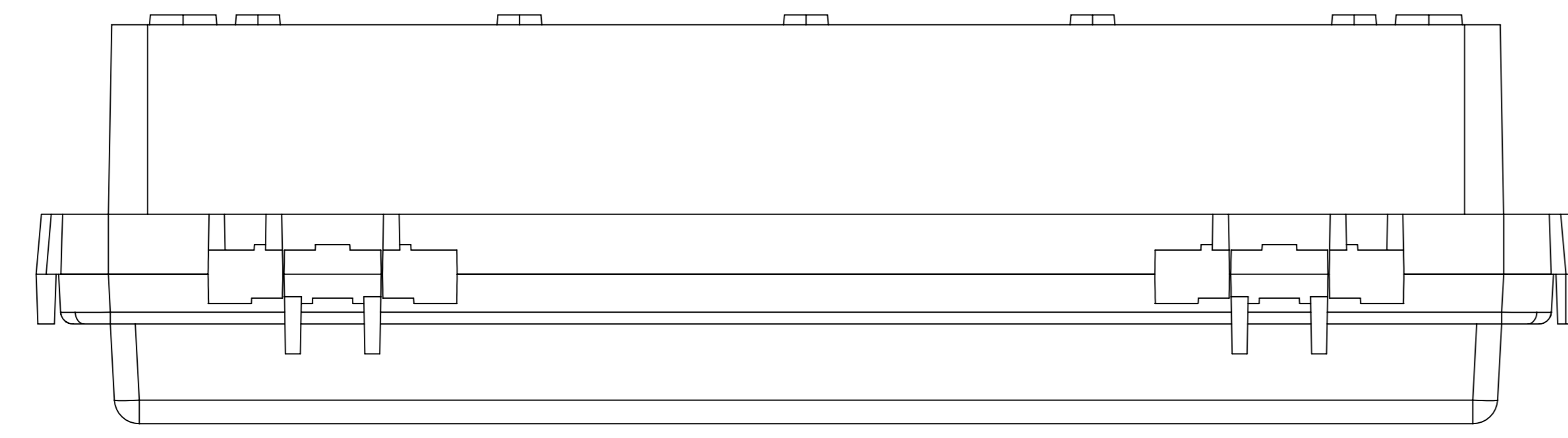
SURFACE-15



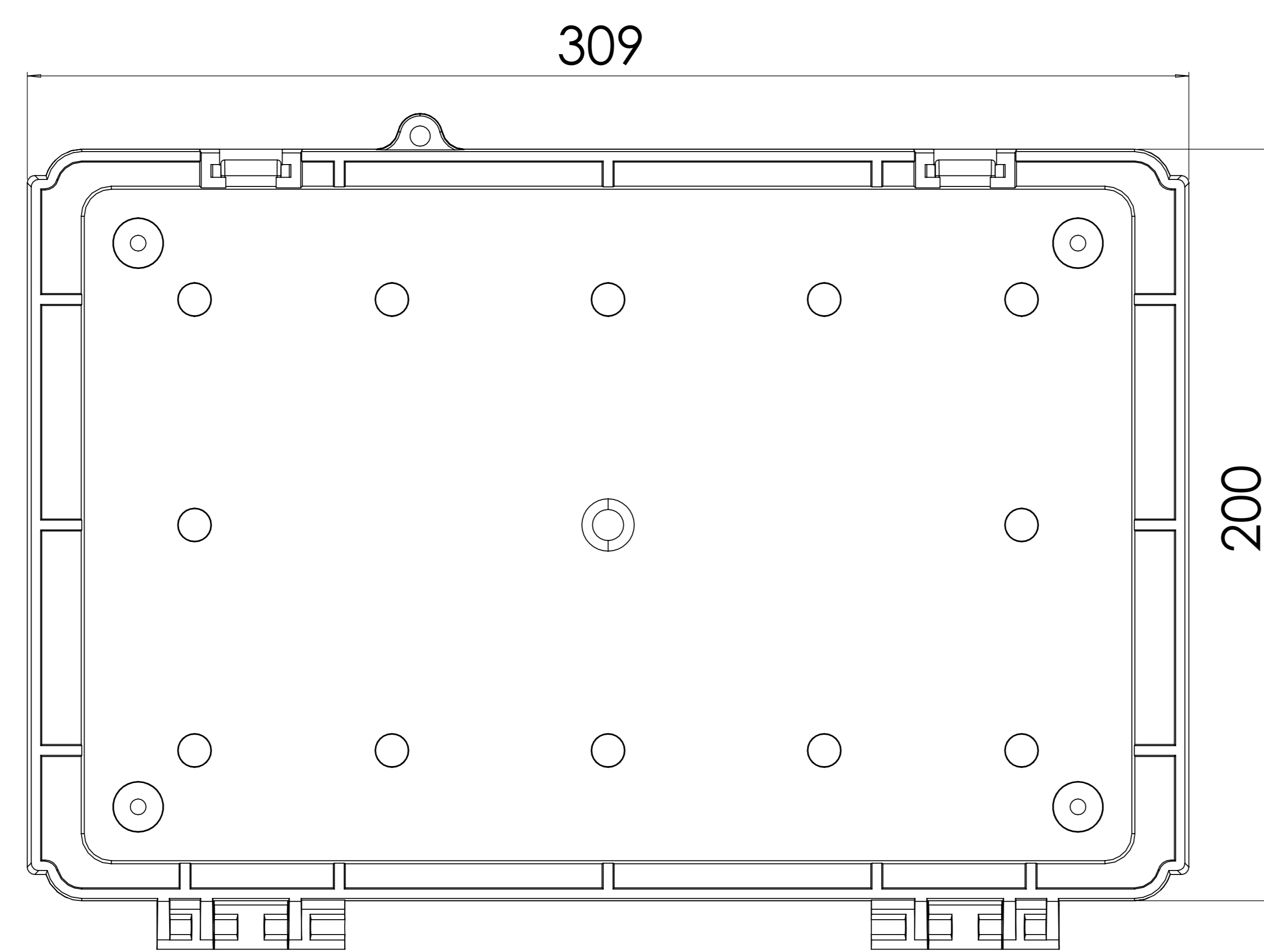
SURFACE-17



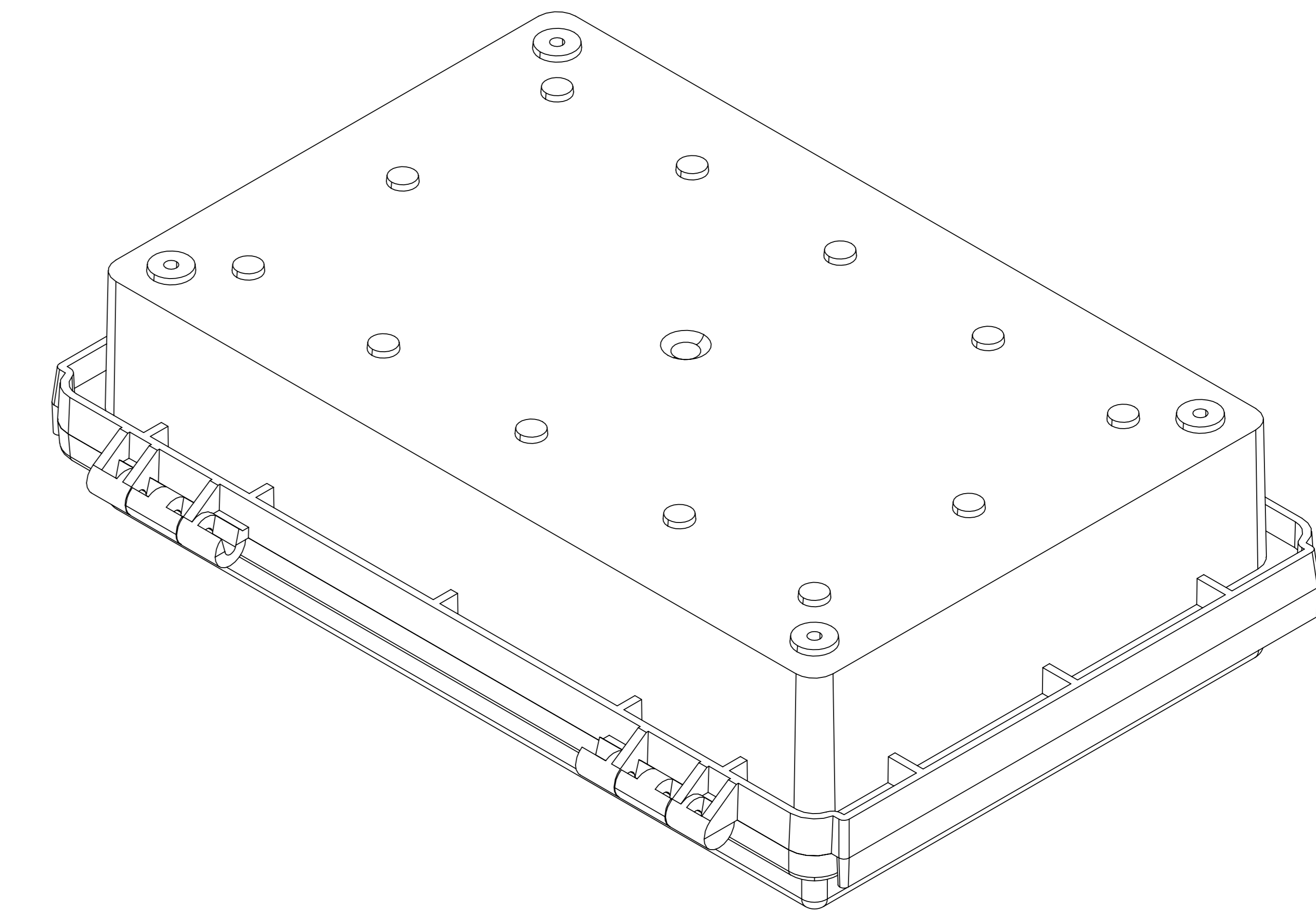
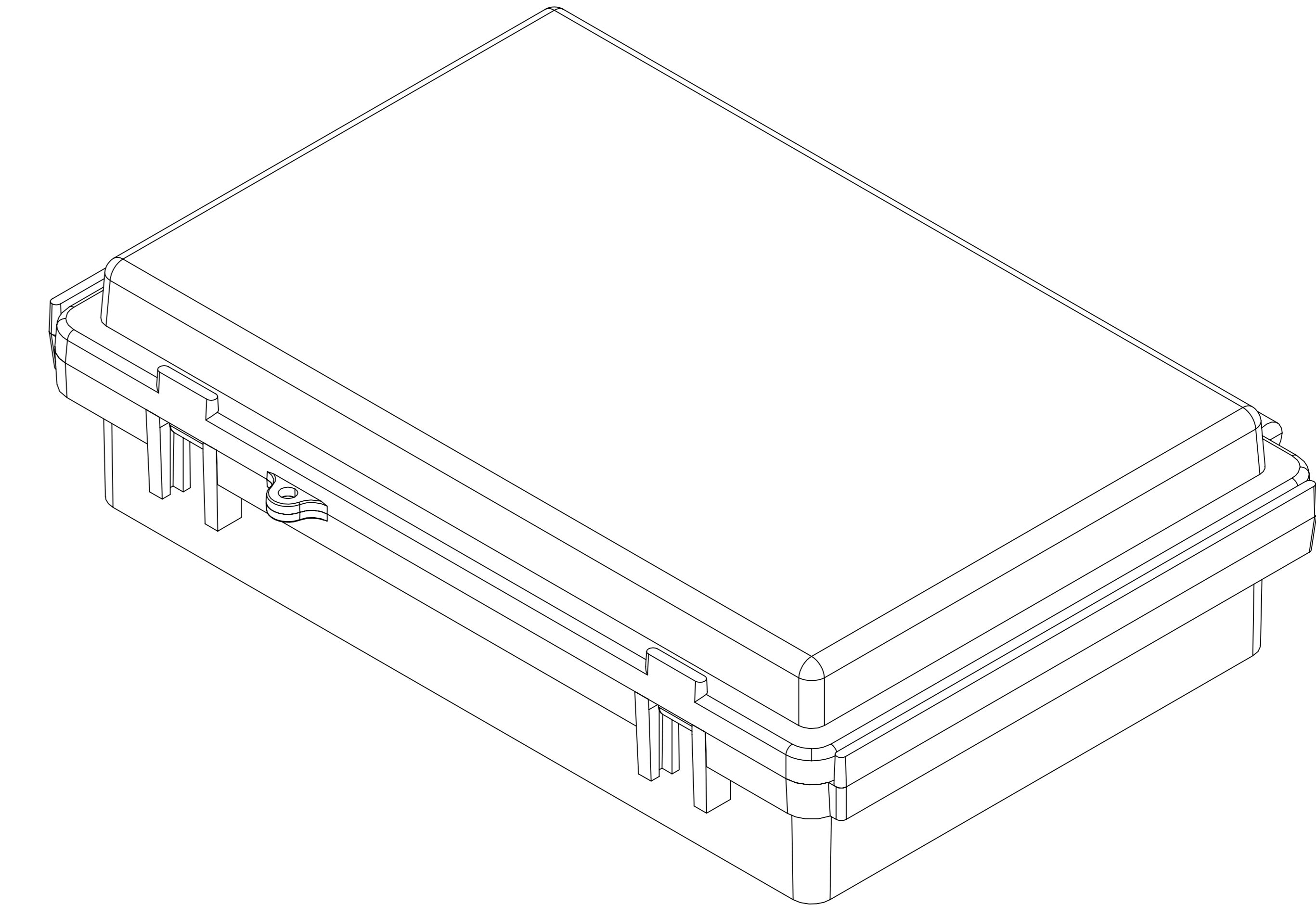
SURFACE-16



SURFACE-14



SURFACE-18



REV. NO	DATE	REVISED BY	DESCRIPTION OF CHANGE
 <b>ALTINKAYA</b> Electronic Enclosures & Components			www.altinkaya.com
			Customer Name :
Altinkaya Ref :		Customer Ref. : EC-2030-8	
DRAWN	NAME	DATE	Drawn From:
CHECKED	Y.YEL	30.09.2024	Material:
DIMENSIONAL TOLERANCES UNLESS OTHERWISE SPECIFIED (DIN 7168)			Weight:
±0,1	±0,1	±0,2	±0,3
±0,5	±0,5	±0,5	±0,5
UNIT: mm			Dimension(mm)
m (medium)			