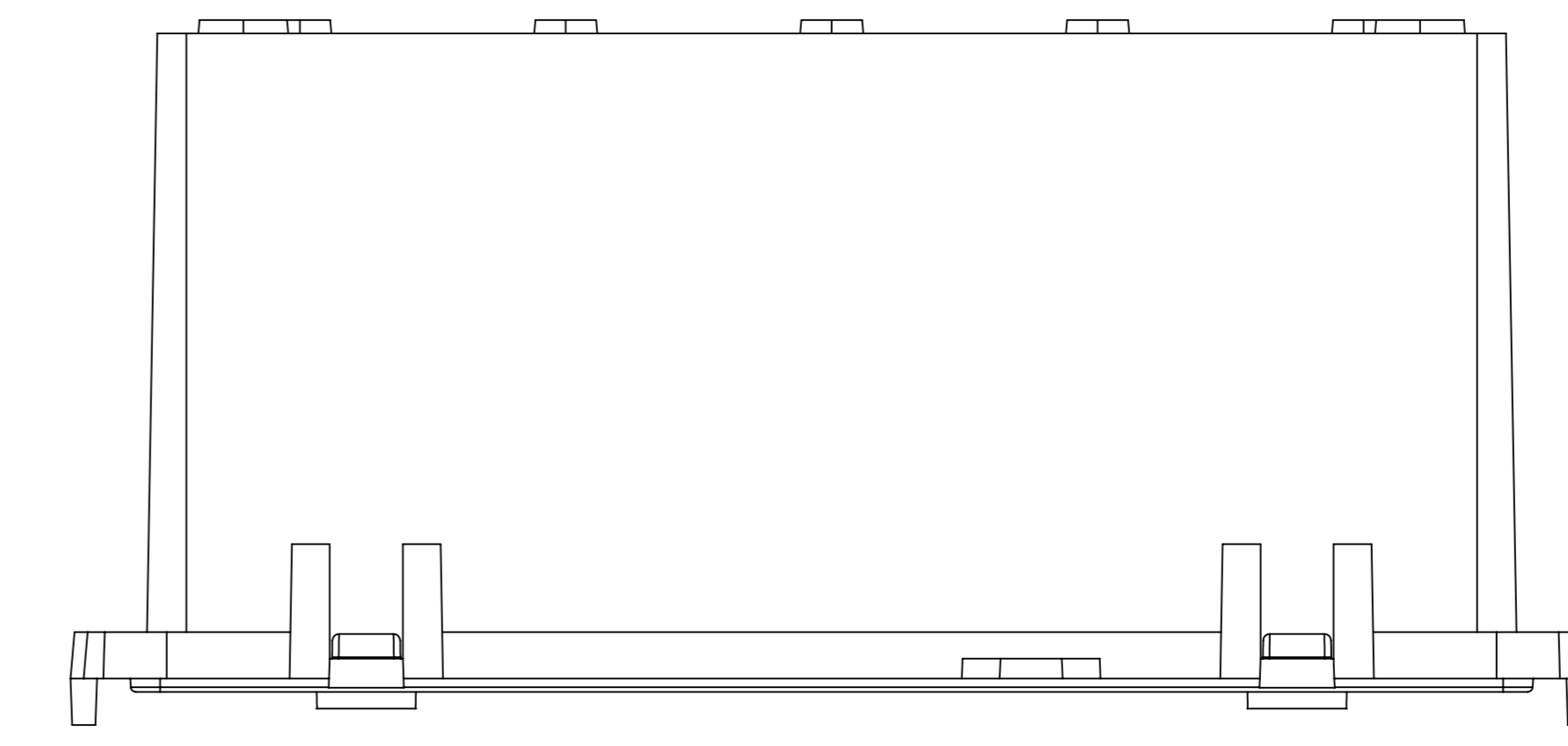


BASE: 6 SURFACE

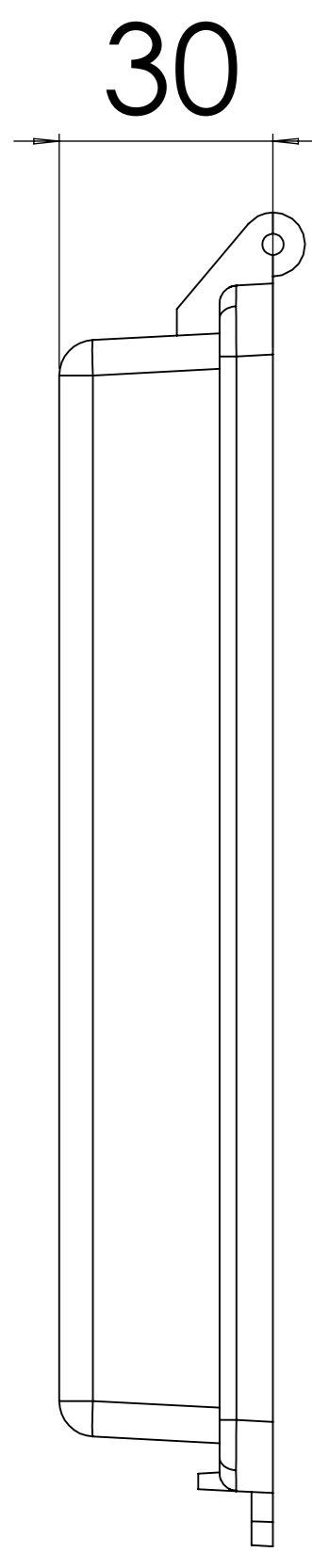
COVER: 6 SURFACE



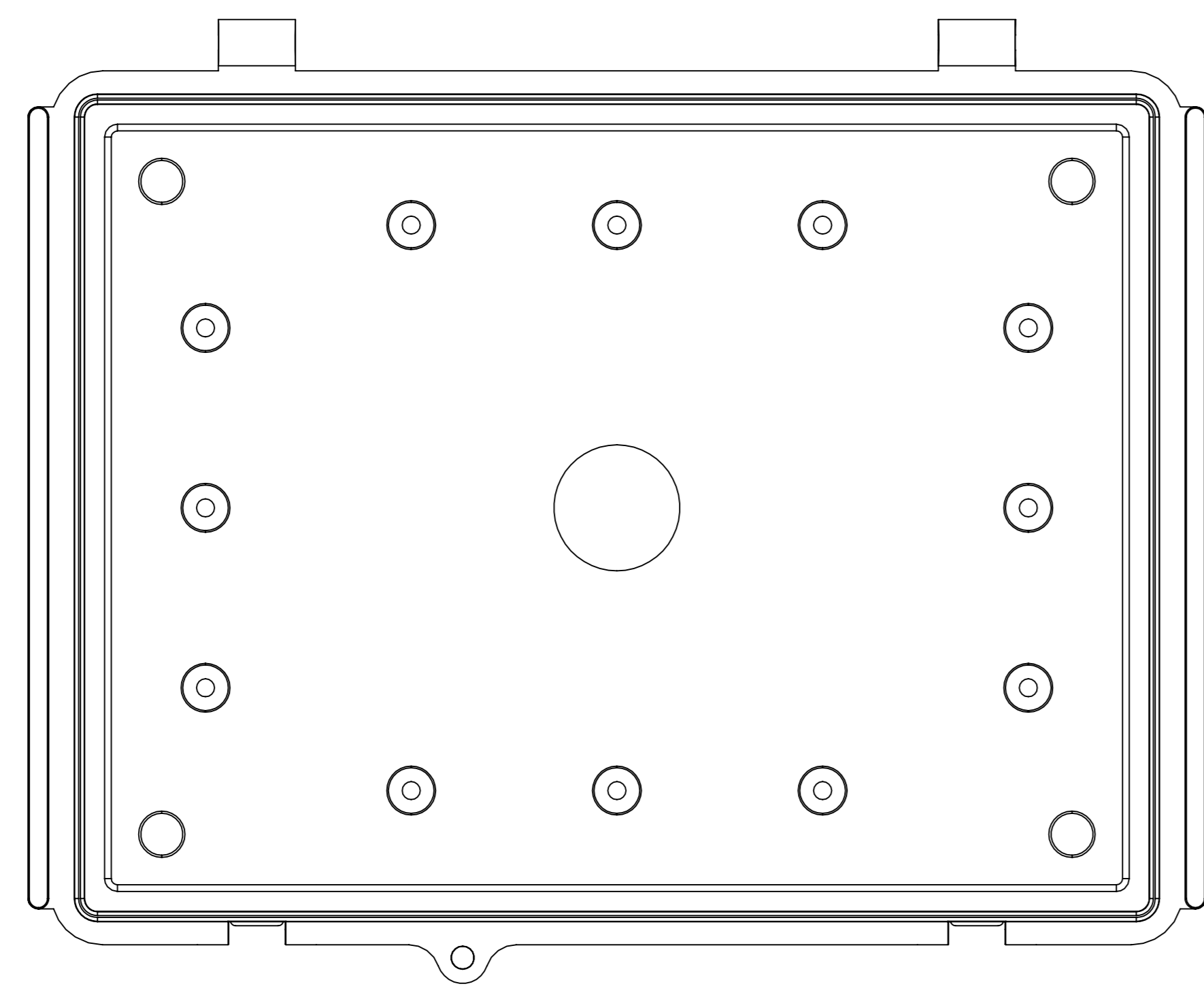
SURFACE-1



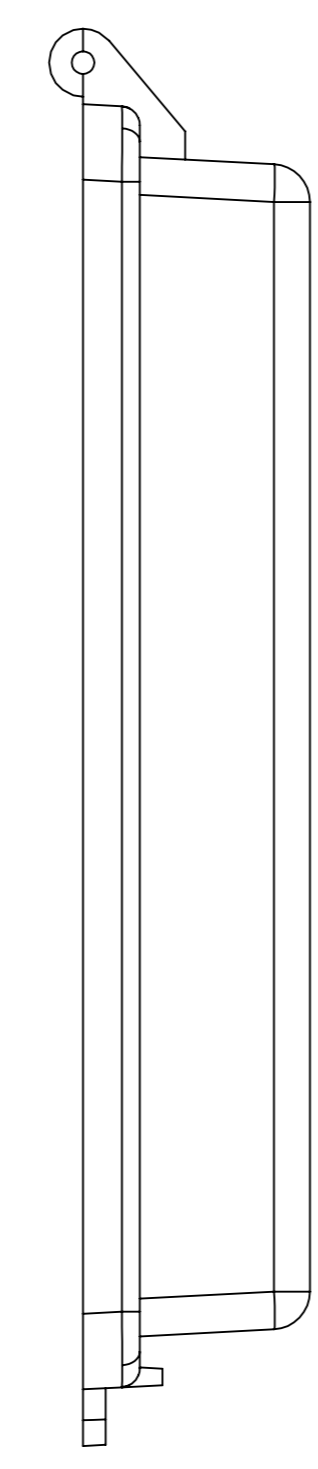
SURFACE-7



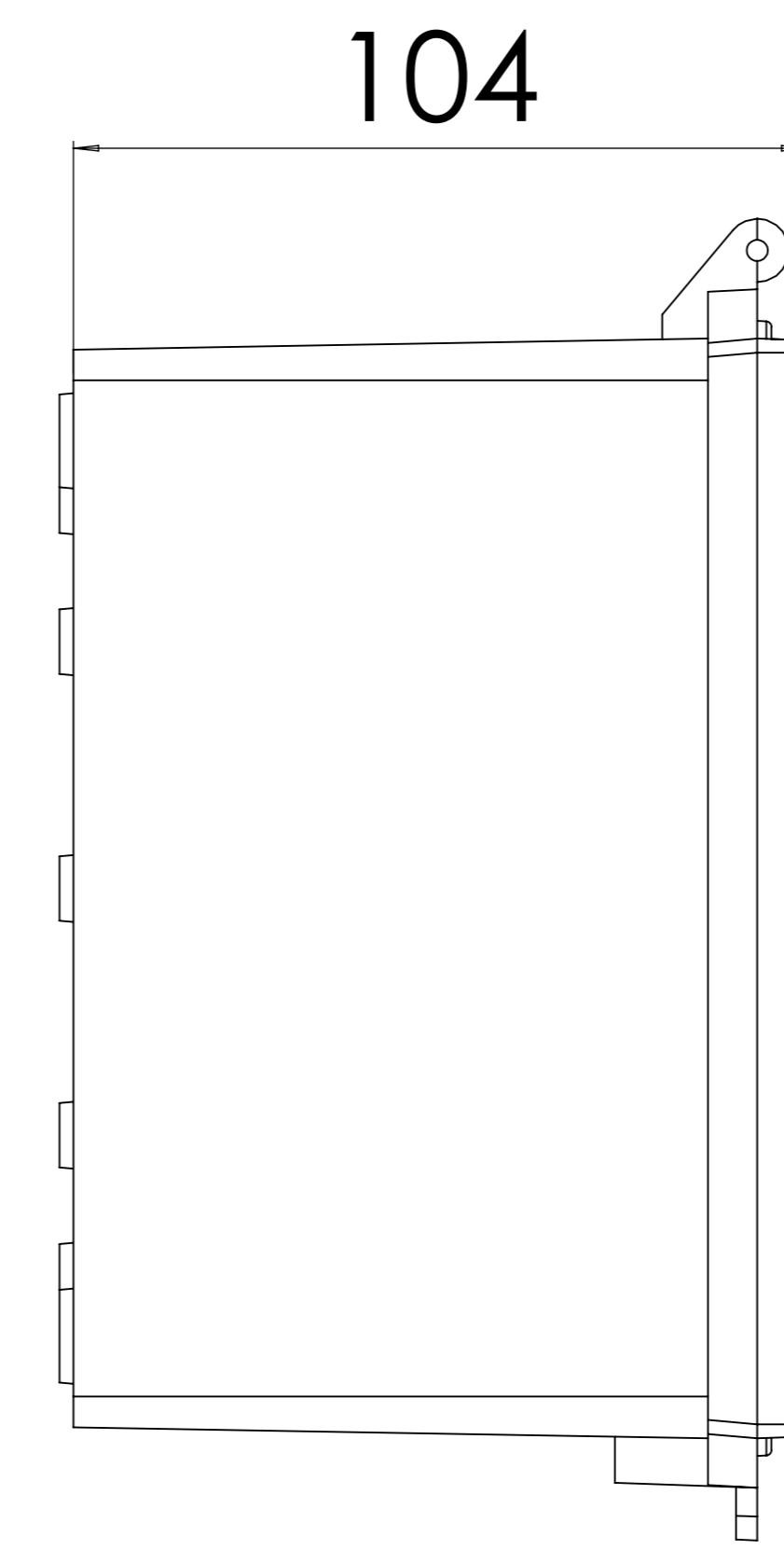
SURFACE-3



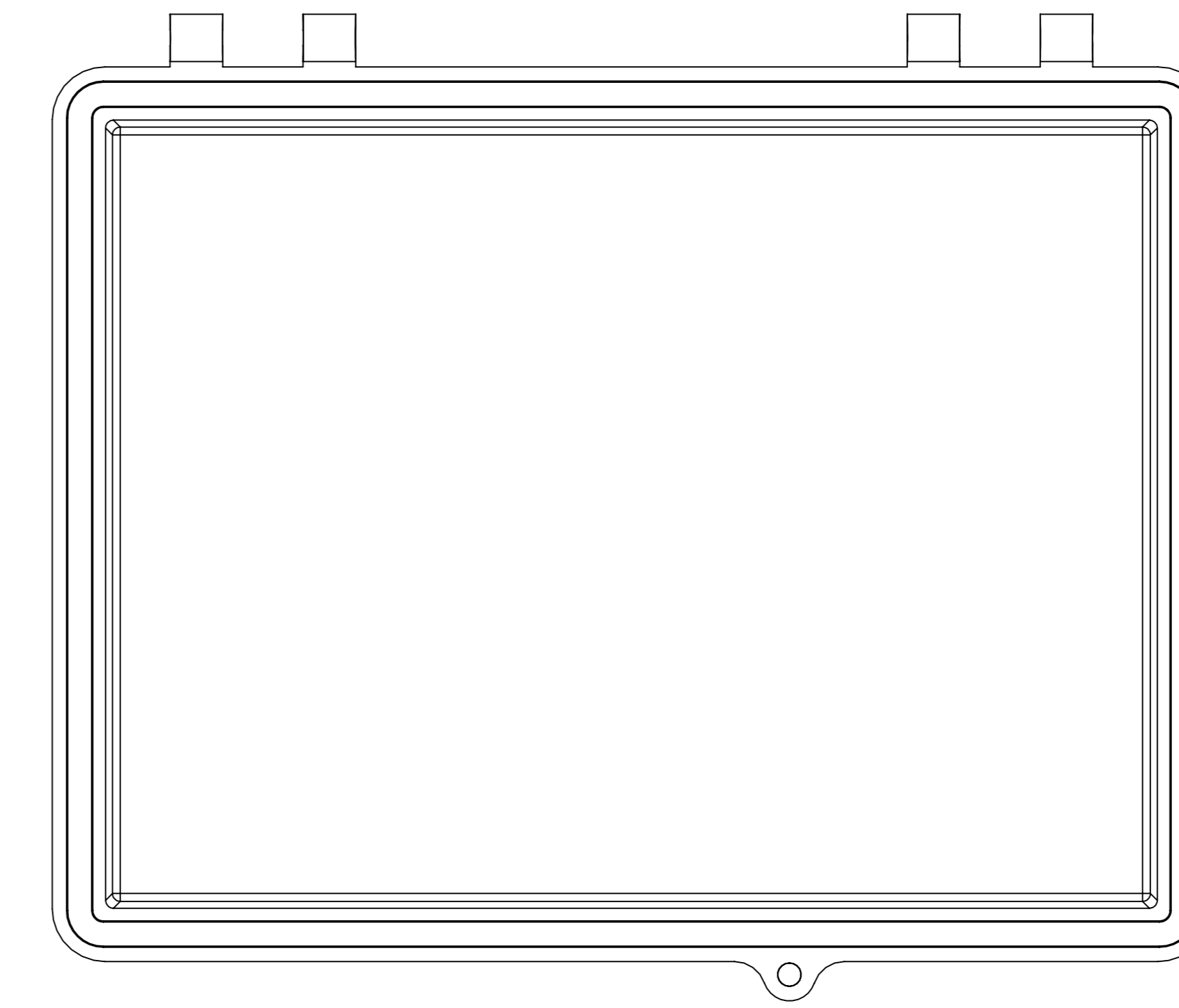
SURFACE-5



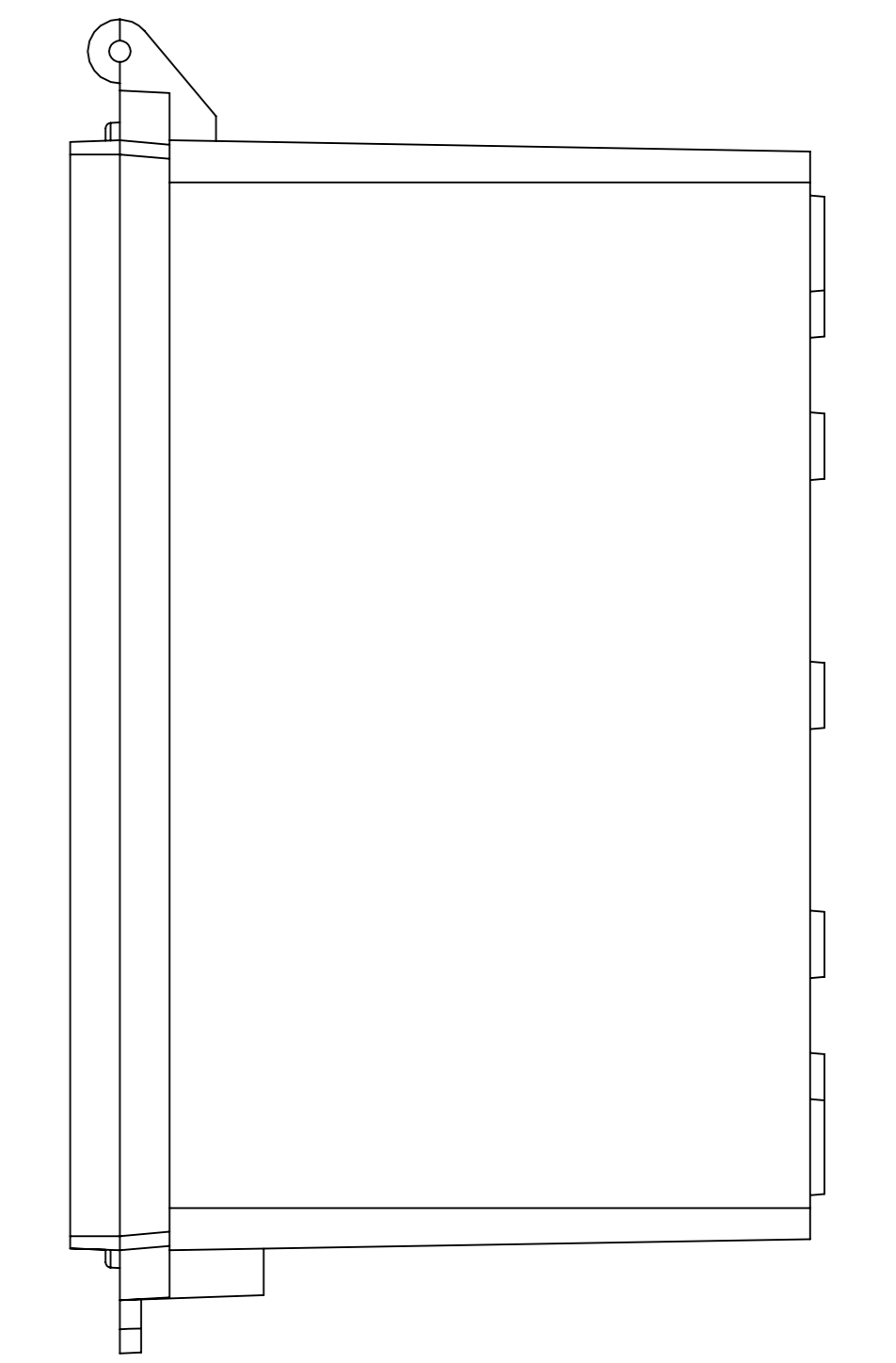
SURFACE-4



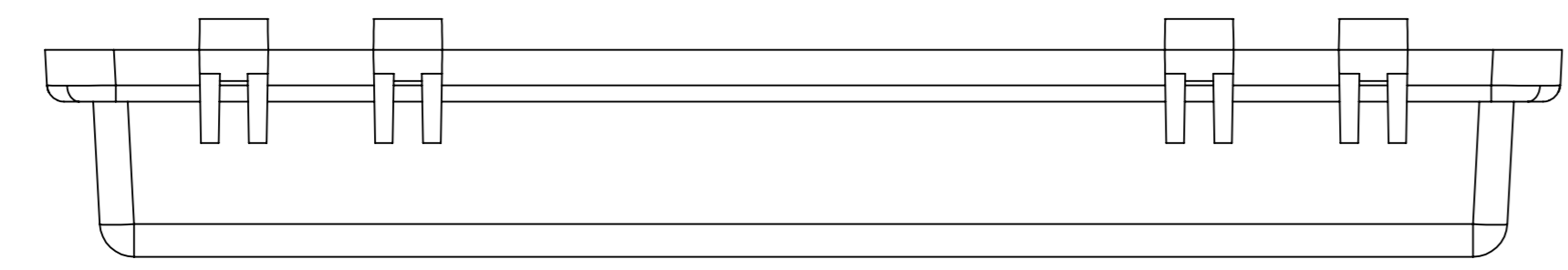
SURFACE-9



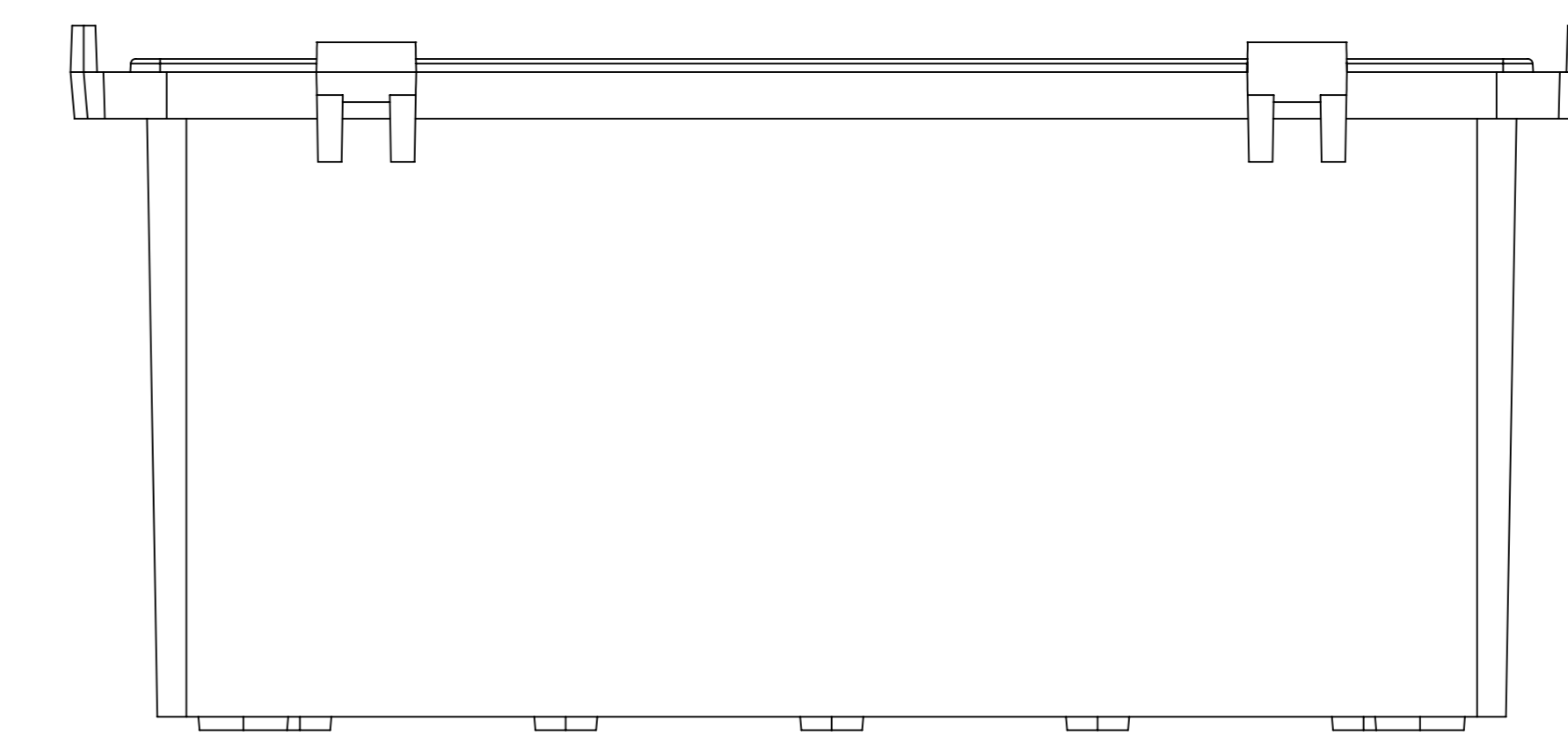
SURFACE-11



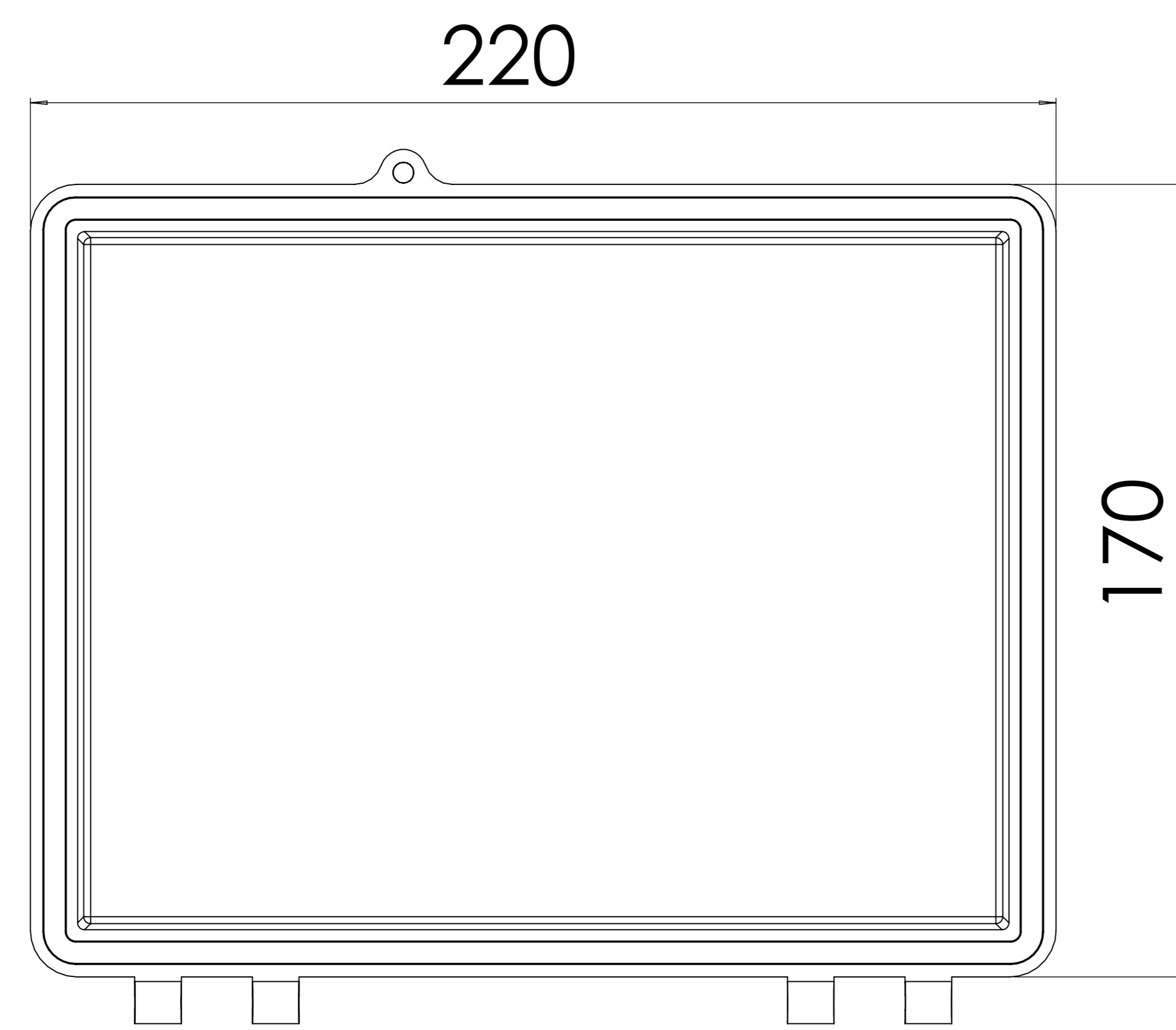
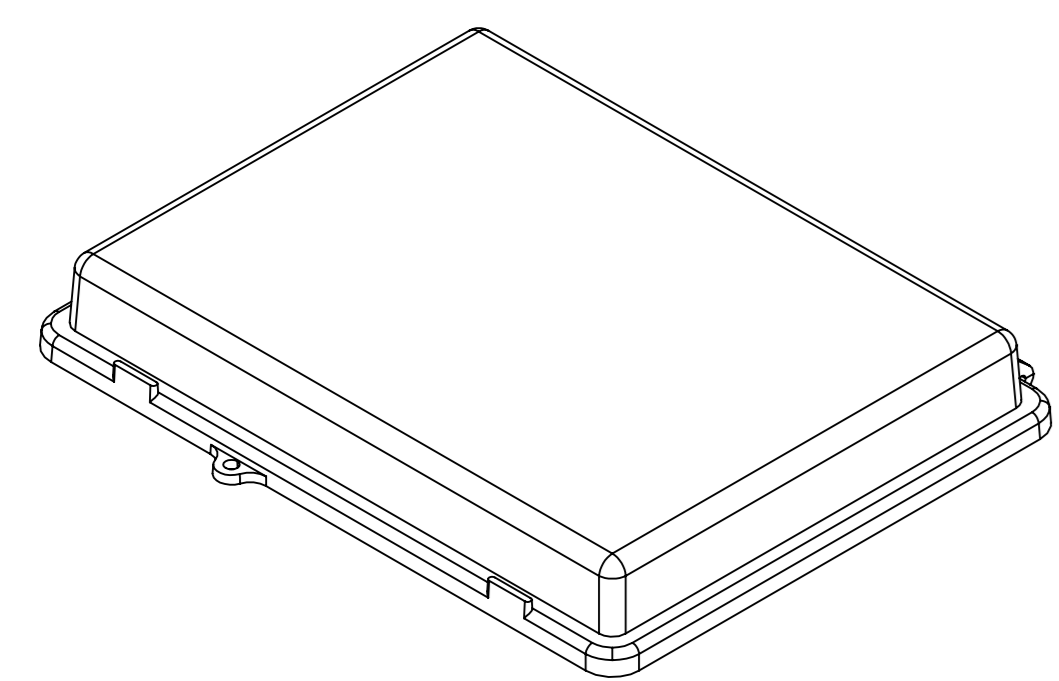
SURFACE-10



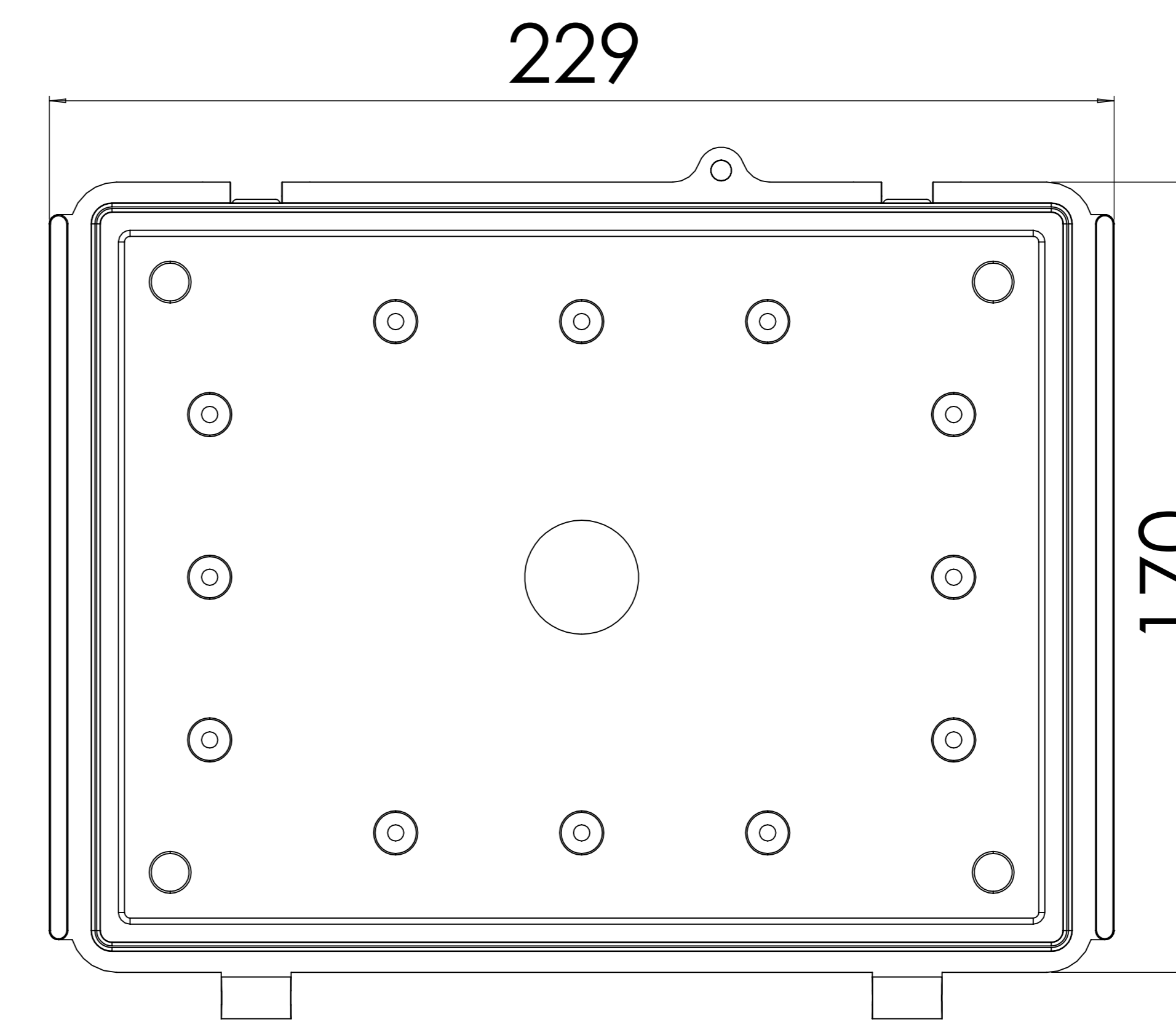
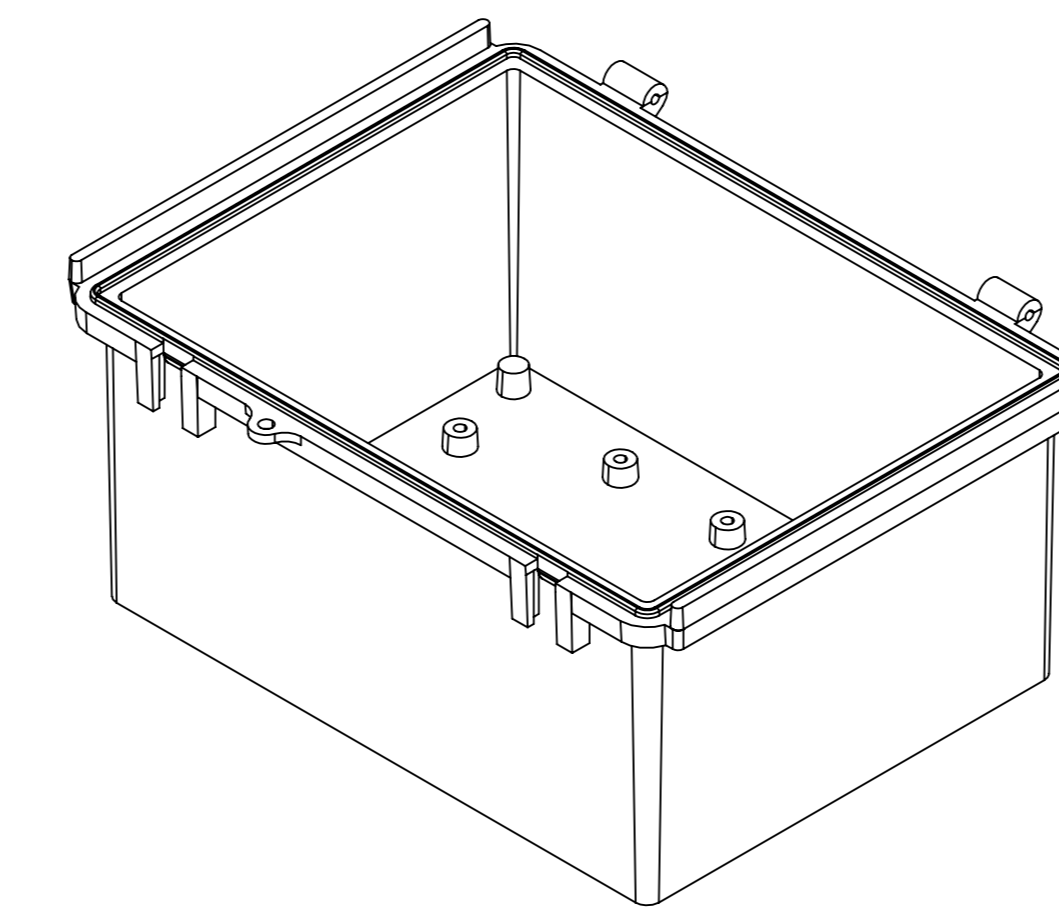
SURFACE-2




SURFACE-8



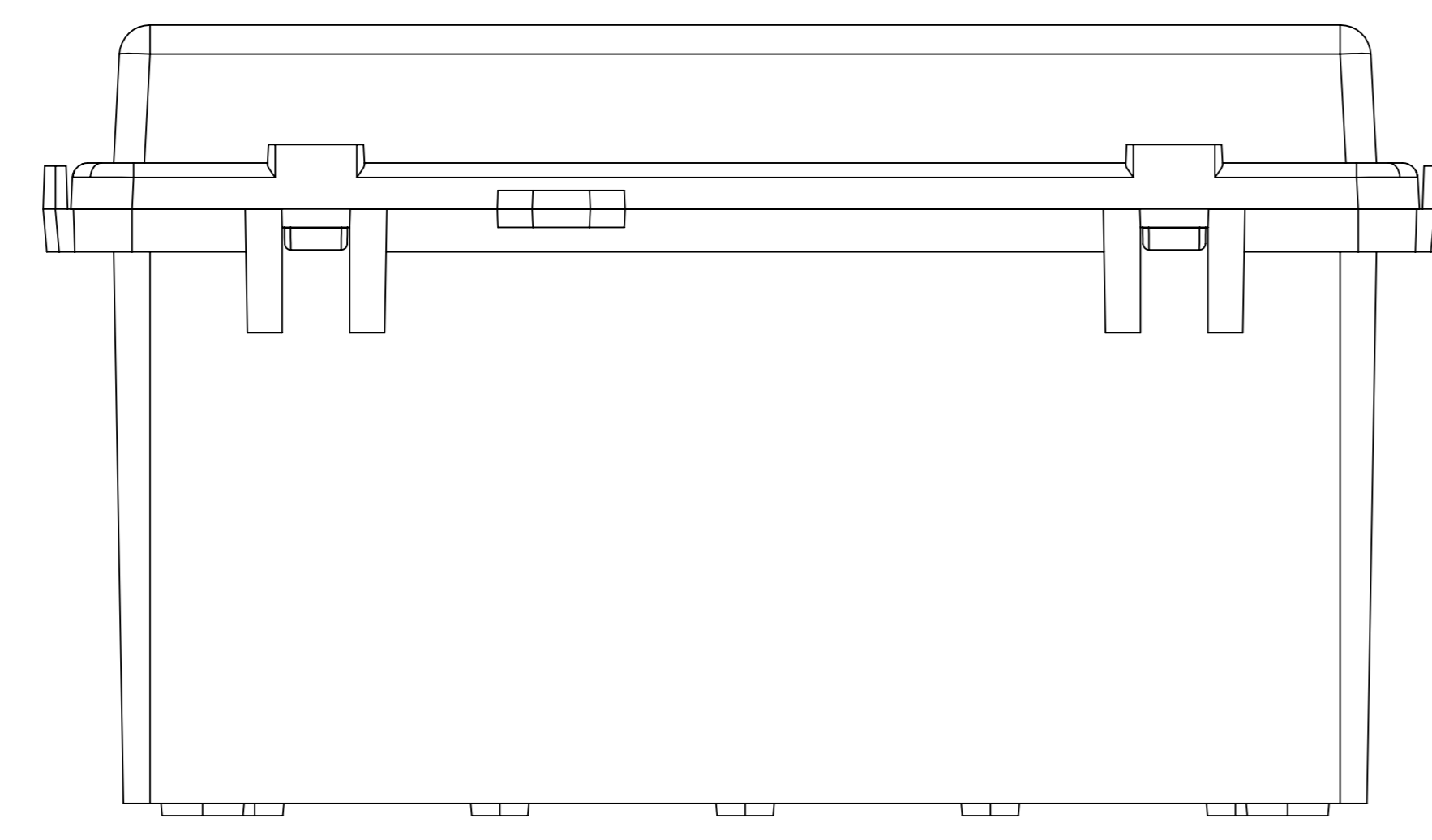
SURFACE-6 (INSIDE)



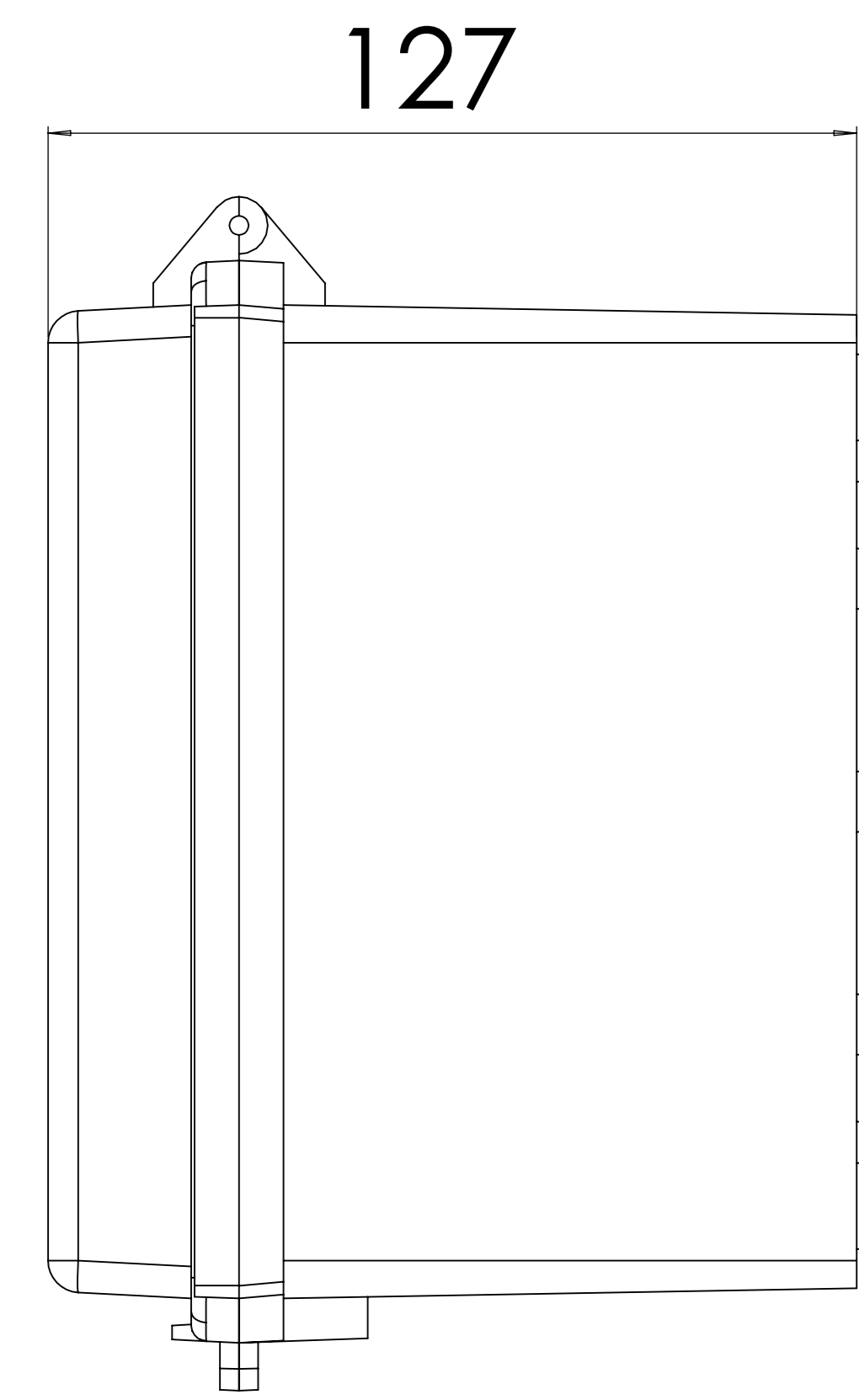
SURFACE-12 (INSIDE)

REV. NO	DATE	REVISED BY	DESCRIPTION OF CHANGE
 ALTINKAYA Electronic Enclosures & Components			
Customer Name :		Customer Ref. :	
Altinkaya Ref :		Part Name: EC-1722	
DRAWN	NAME	DATE	Drawn From:
CHECKED	Y.YEL	30.09.2024	Material:
DIMENSIONAL TOLERANCES UNLESS OTHERWISE SPECIFIED (DIN7168)			Weight:
0.5-3mm	3-6mm	6-30mm	30-120mm
±0,1	±0,1	±0,2	±0,3
			120-400mm
			±0,5
			UNIT: mm
			Dimension(mm)
			m (medium)

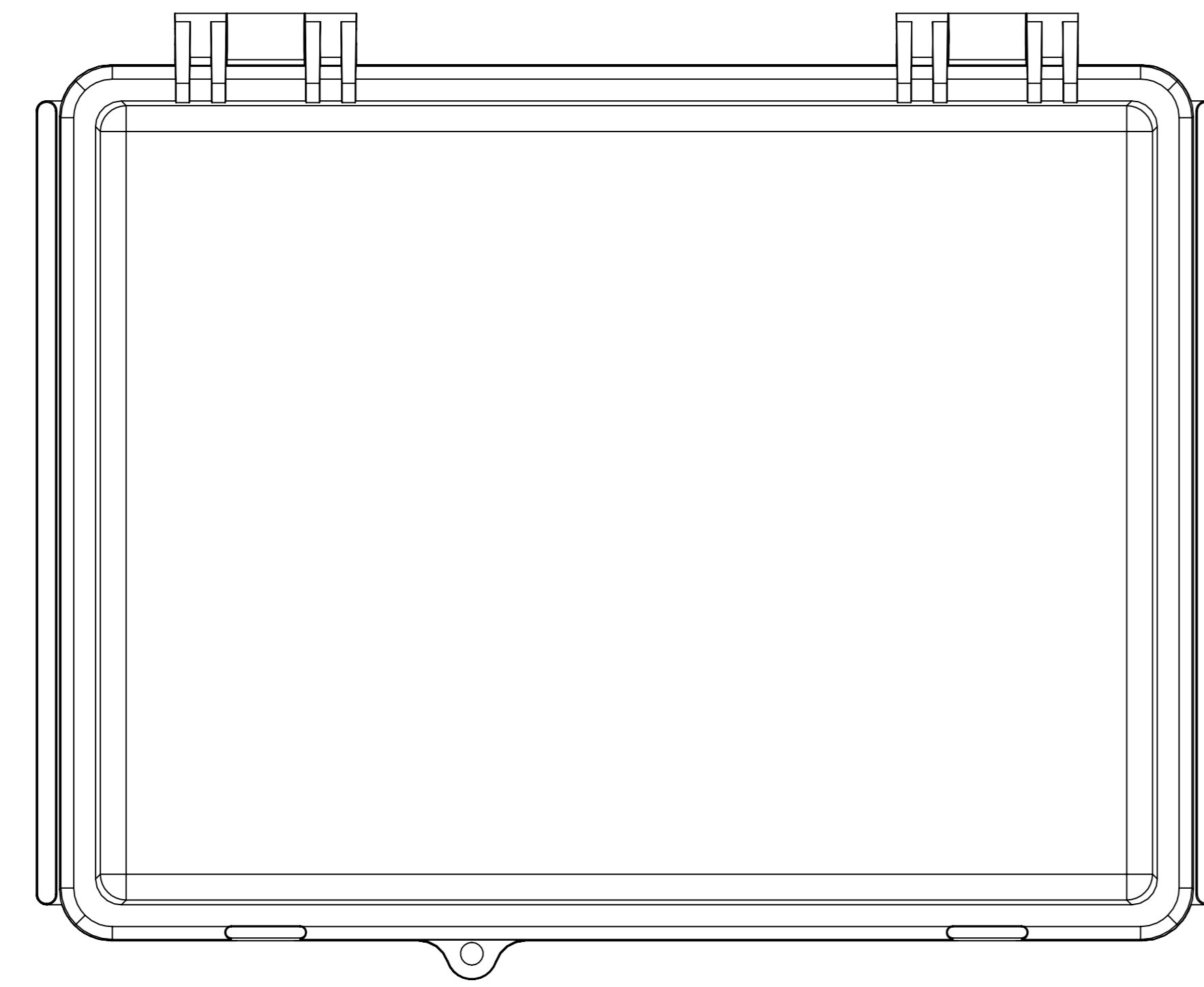
EC-1722-13 IF MACHINED TOGETHER



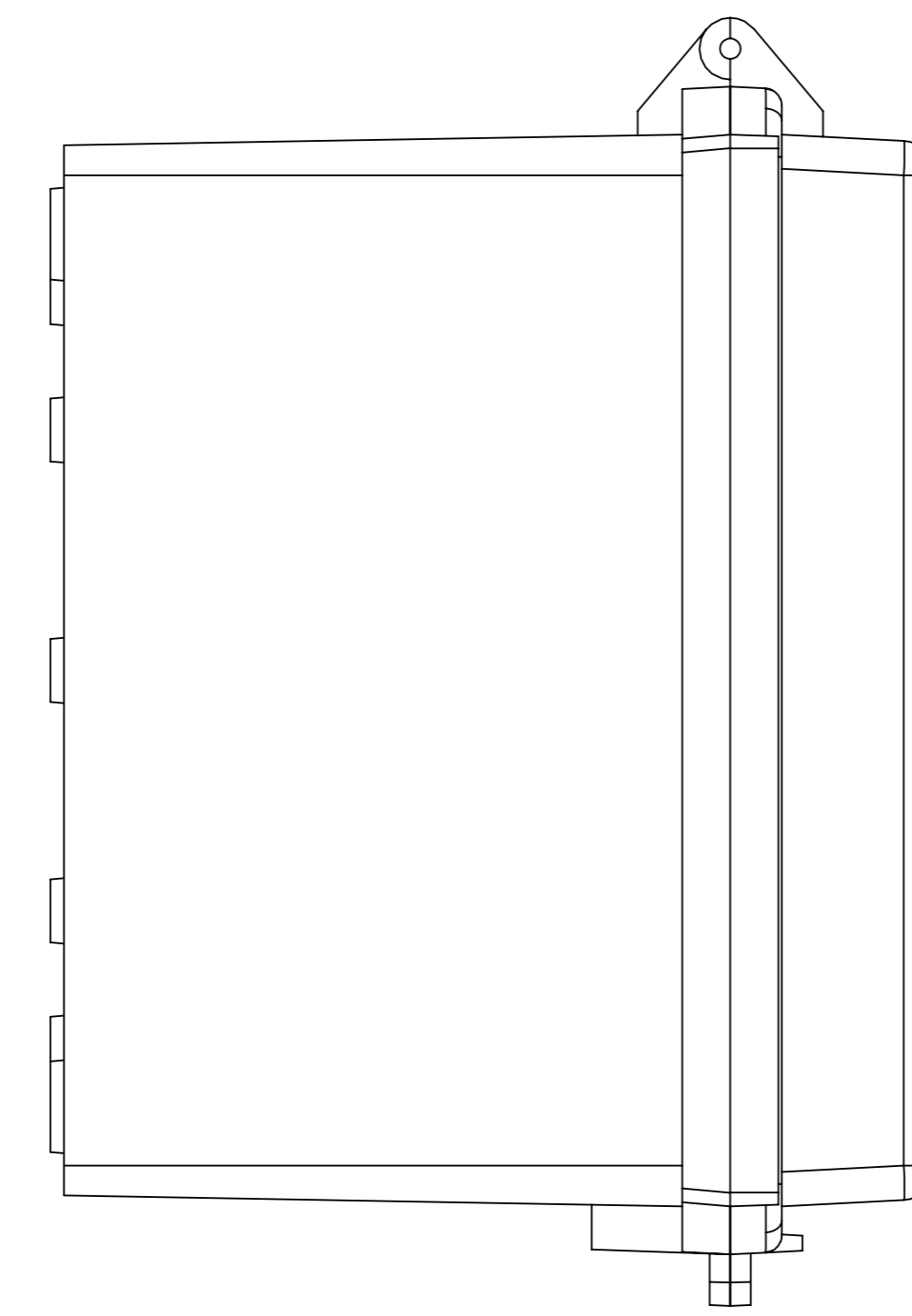
SURFACE-13



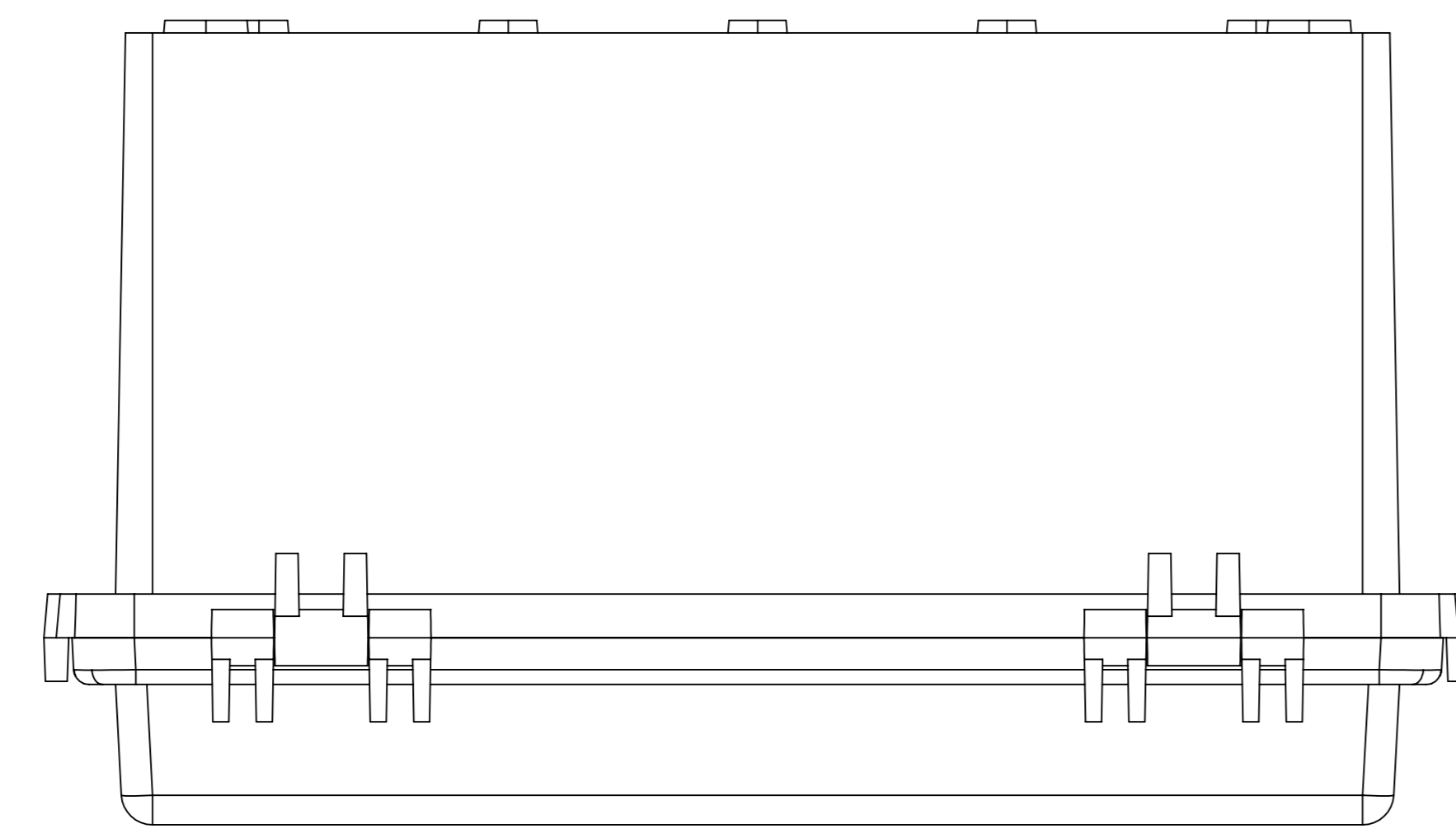
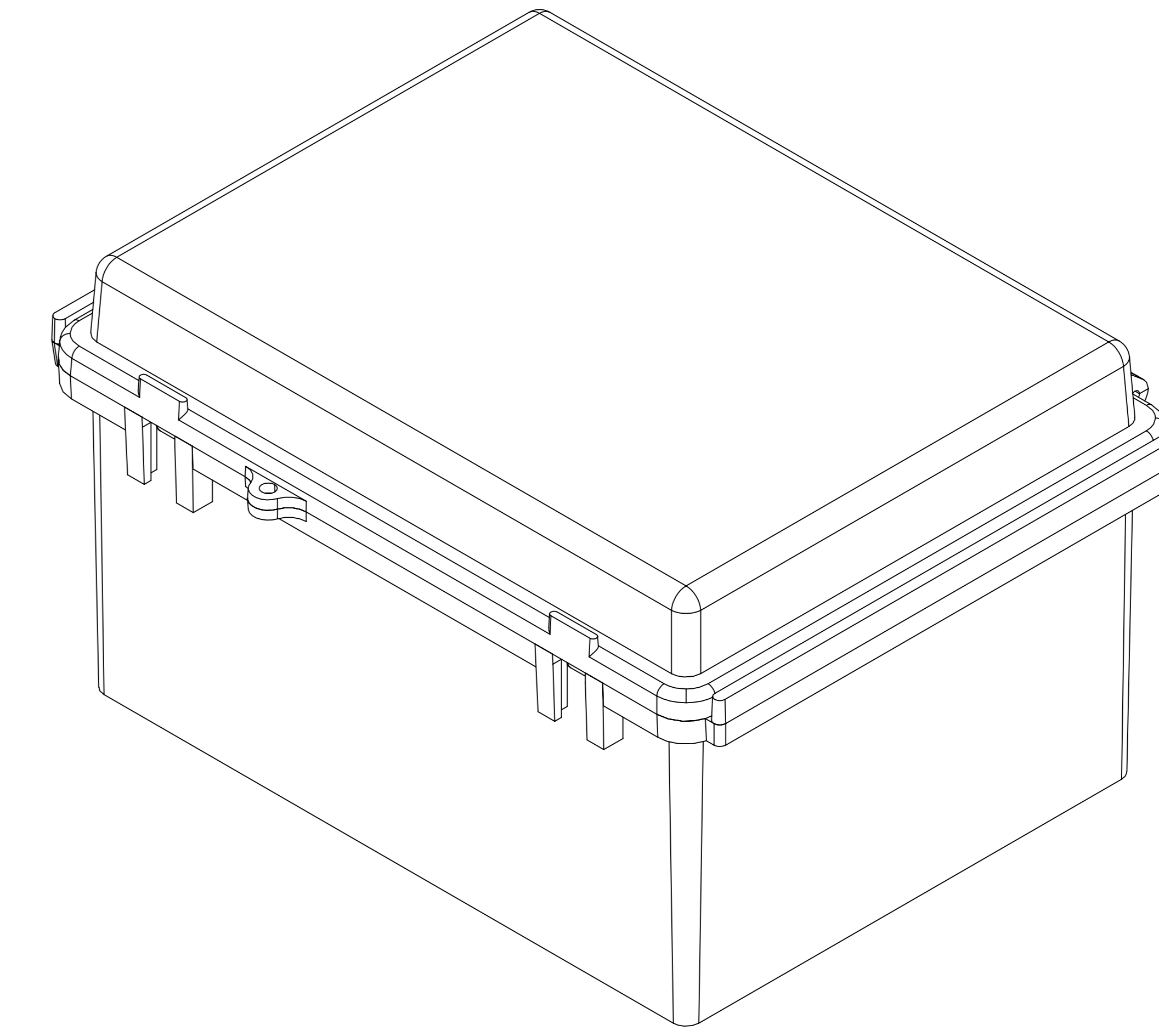
SURFACE-15



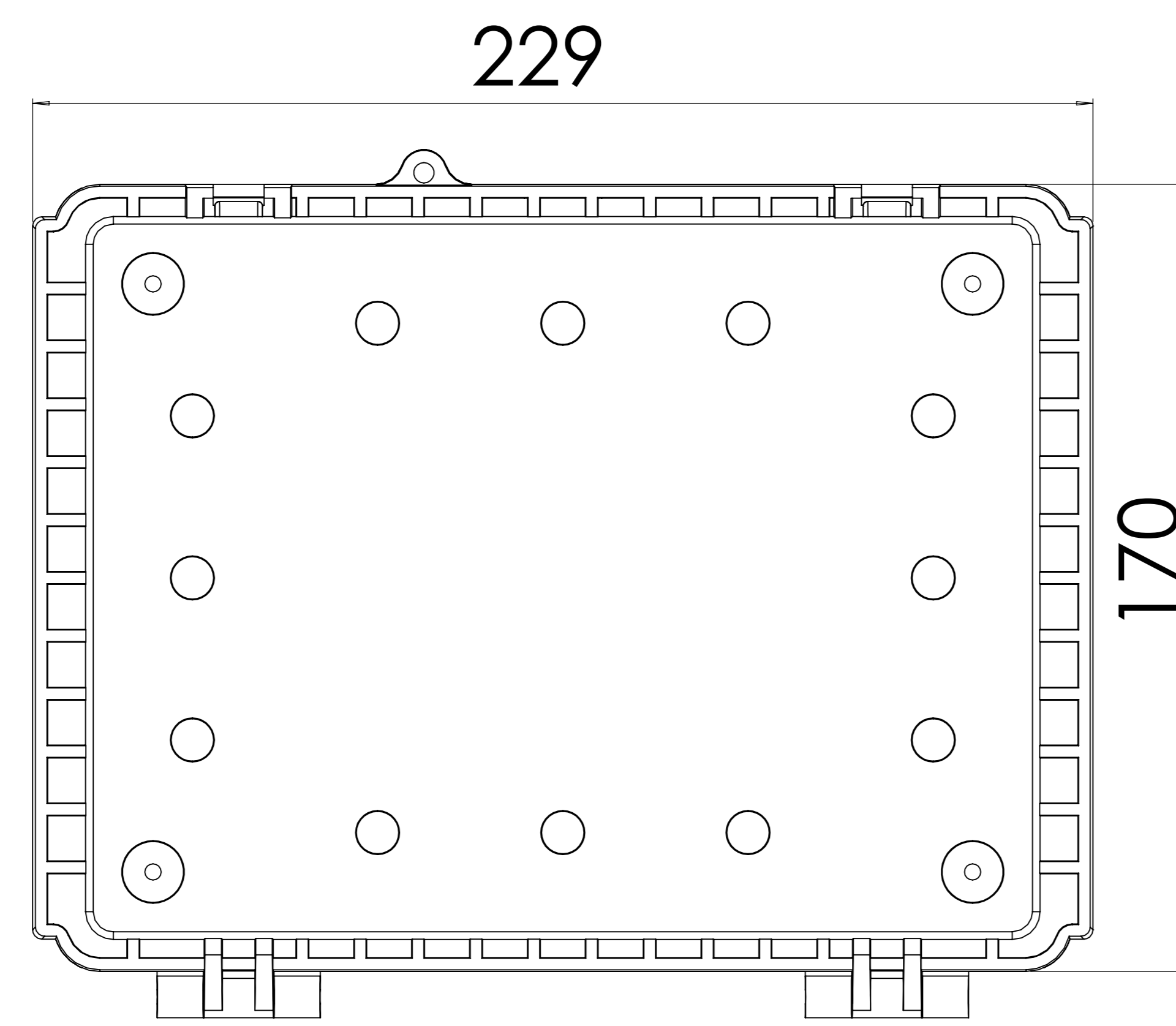
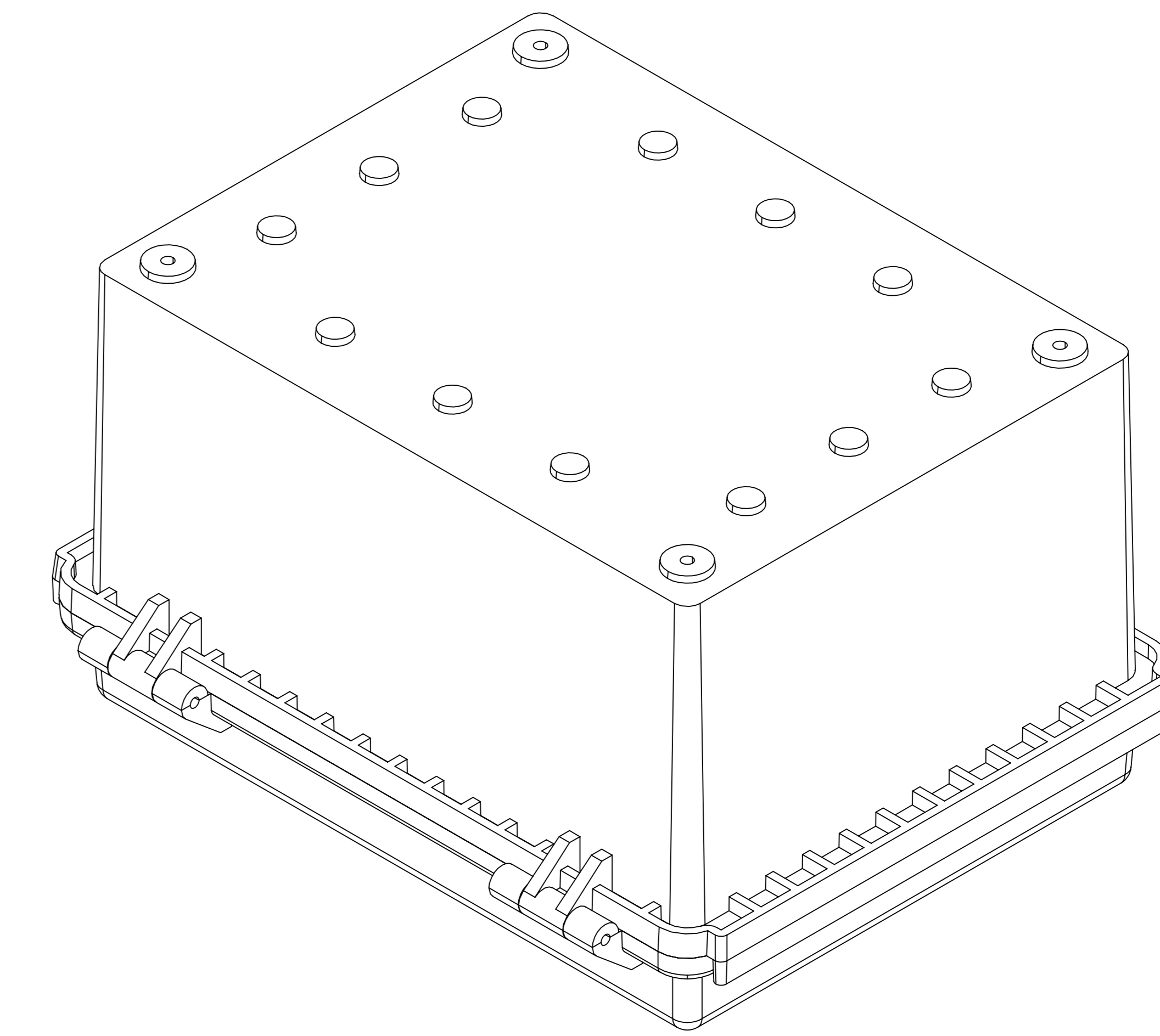
SURFACE-17



SURFACE-16



SURFACE-14



SURFACE-18

REV. NO	DATE	REVISED BY	DESCRIPTION OF CHANGE
 ALTINKAYA Electronic Enclosures & Components			www.altinkaya.com
			Customer Name :
Altinkaya Ref :		Part Name: EC-1722	
DRAWN	NAME	DATE	Drawn From:
CHECKED	Y.YEL	30.09.2024	Material:
DIMENSIONAL TOLERANCES UNLESS OTHERWISE SPECIFIED (DIN7168)			Weight:
±0,1	±0,1	±0,2	±0,3
±0,5	UNIT: mm		Dimension(mm)
			m (medium)