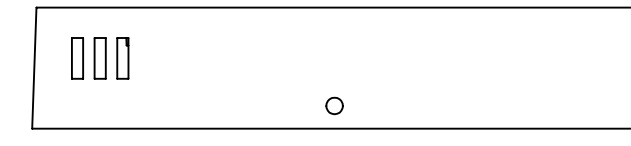
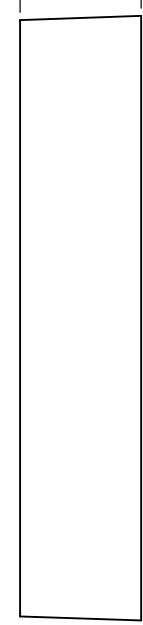


BASE: 6 SURFACE

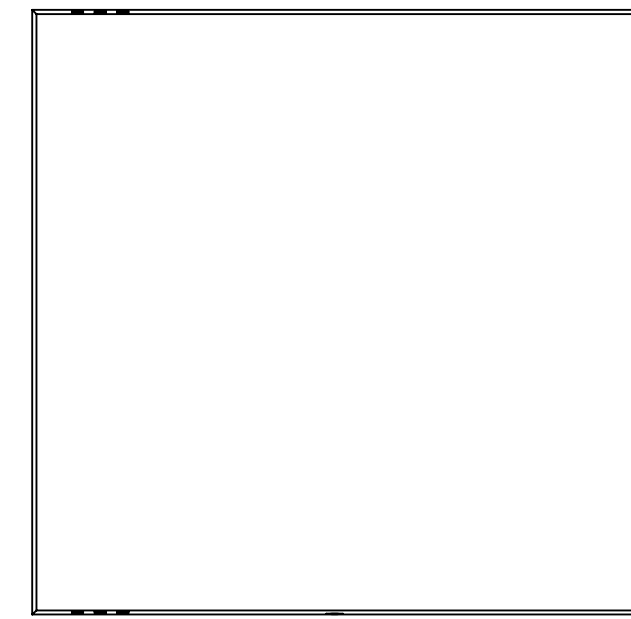


SURFACE-1

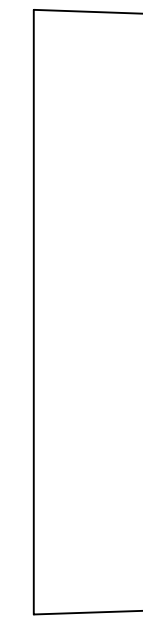
16



SURFACE-3



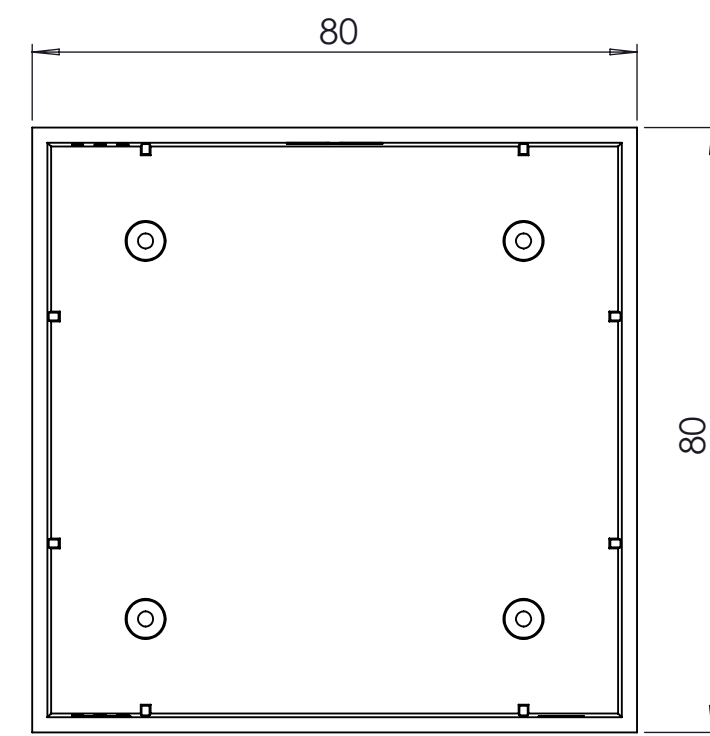
SURFACE-5



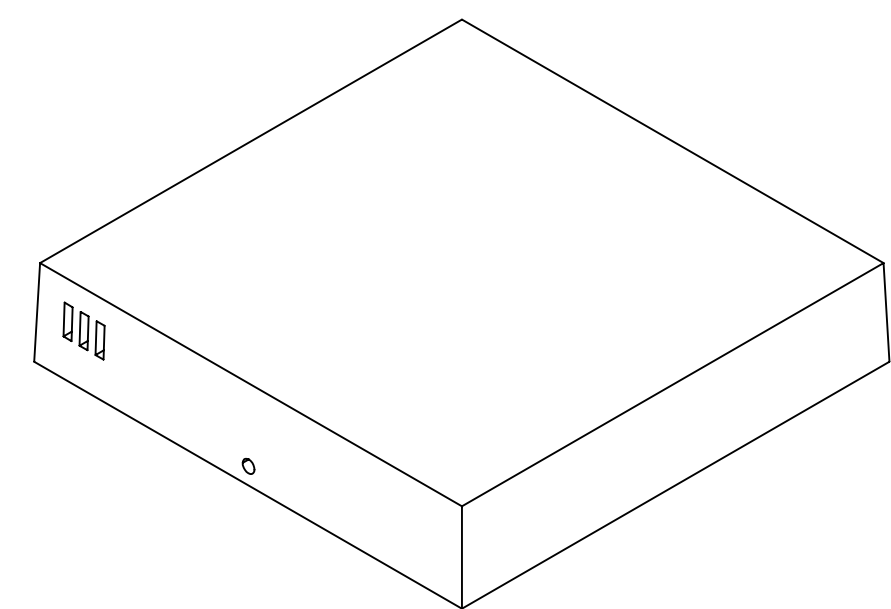
SURFACE-4



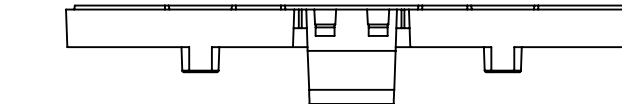
SURFACE-2



SURFACE-6 (INSIDE)

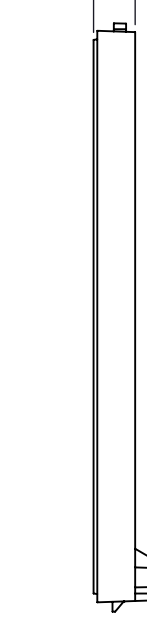


COVER: 6 SURFACE

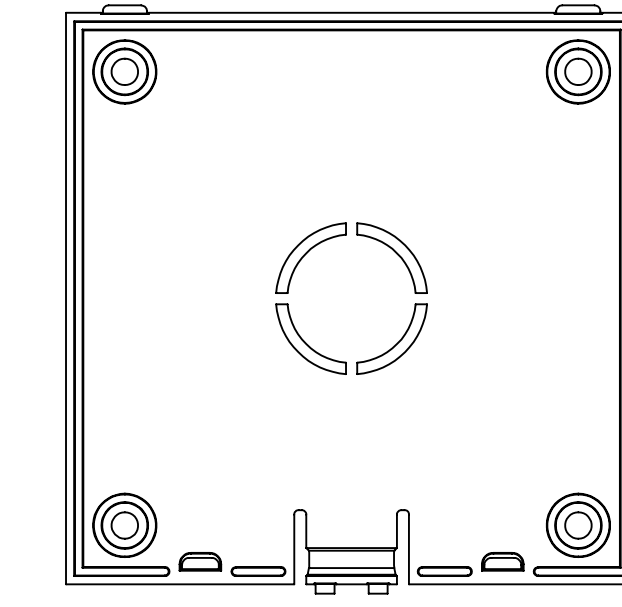


SURFACE-7

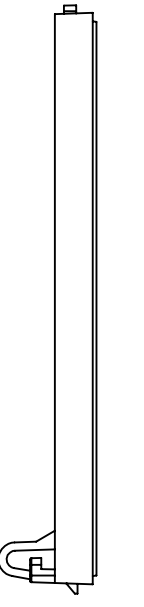
6



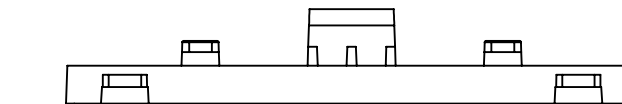
SURFACE-9



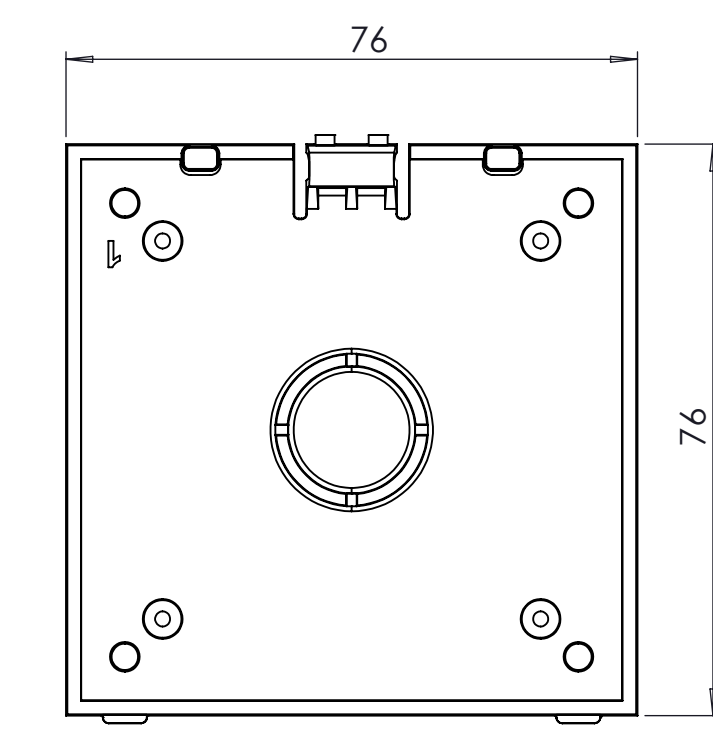
SURFACE-11



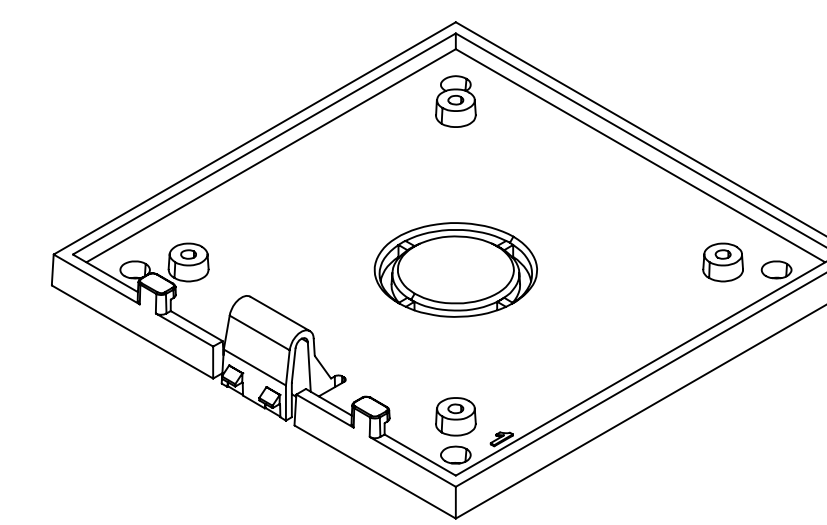
SURFACE-10




SURFACE-8

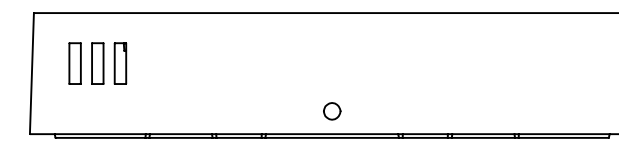


SURFACE-12 (INSIDE)

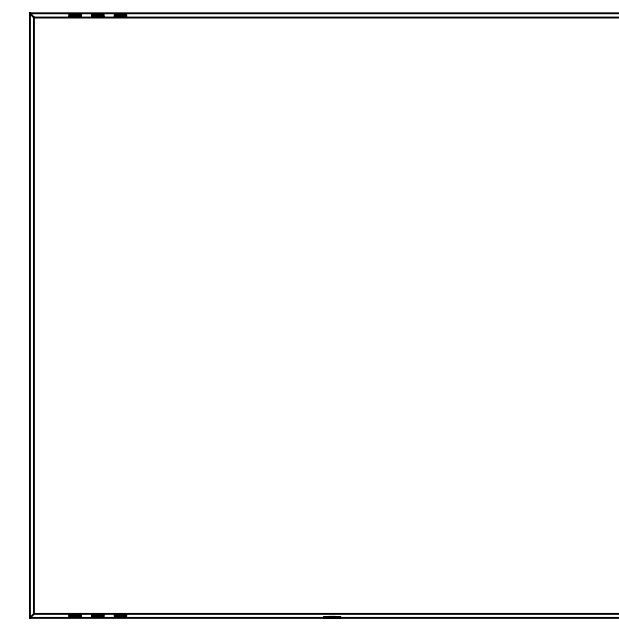


REV. NO	DATE	REVISED BY	DESCRIPTION OF CHANGE
 ALTINKAYA Electronic Enclosures & Components			
Customer Name:		Customer Ref.:	
Altinkaya Ref.:		Part Name: DM-8080	
NAME	DATE	Drawn From:	SCALE 1:1
DRAWN	S.YESILOZ	12.10.2024	SHEET 1 OF 2
CHECKED	Y.YEL	12.10.2024	Weight:
DIMENSIONAL TOLERANCES UNLESS OTHERWISE SPECIFIED (DIN7168)		0.5-3mm	3-6mm
		±0.1	±0.1
		6-30mm	±0.2
		30-120mm	±0.3
		120-400mm	±0.5
		Dimension (mm)	UNIT: mm
			A0

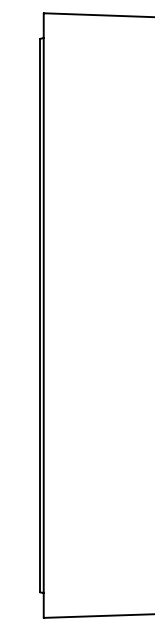
DM-8080 IF MACHINED TOGETHER



SURFACE-13



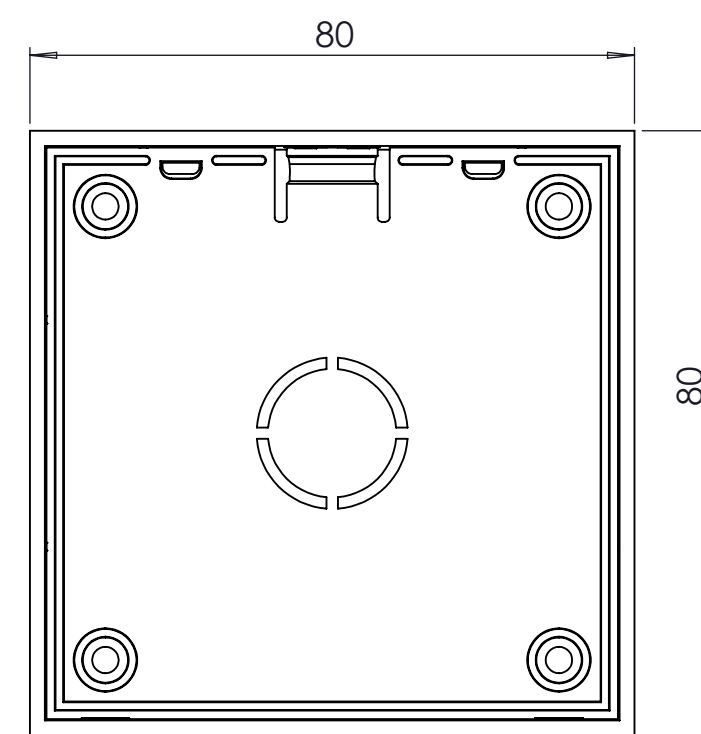
SURFACE-17



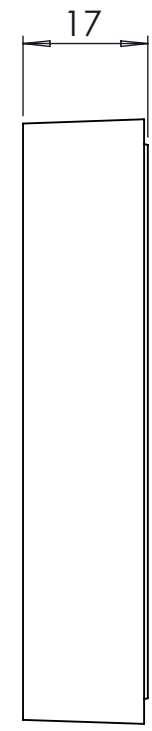
SURFACE-16



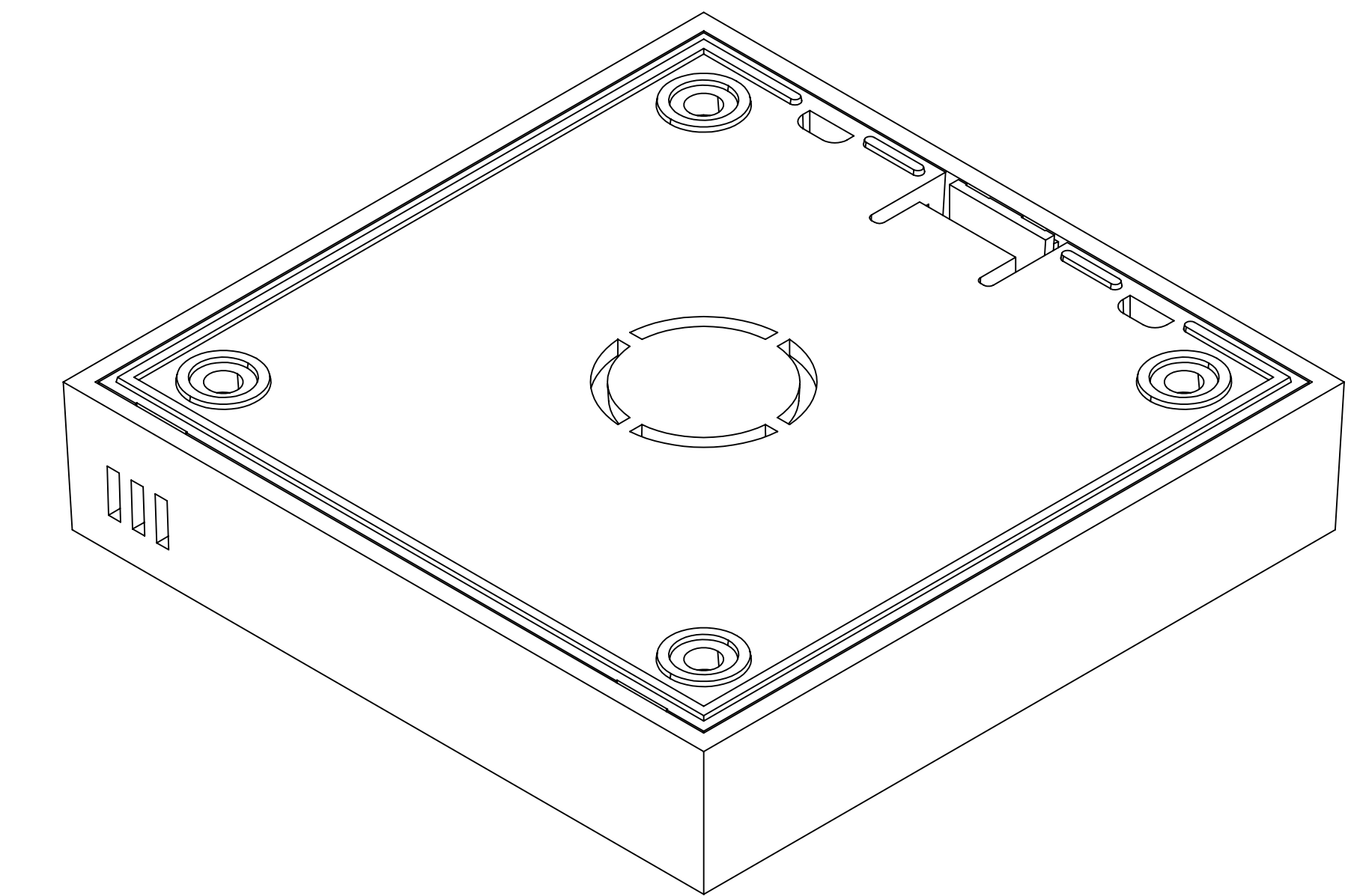
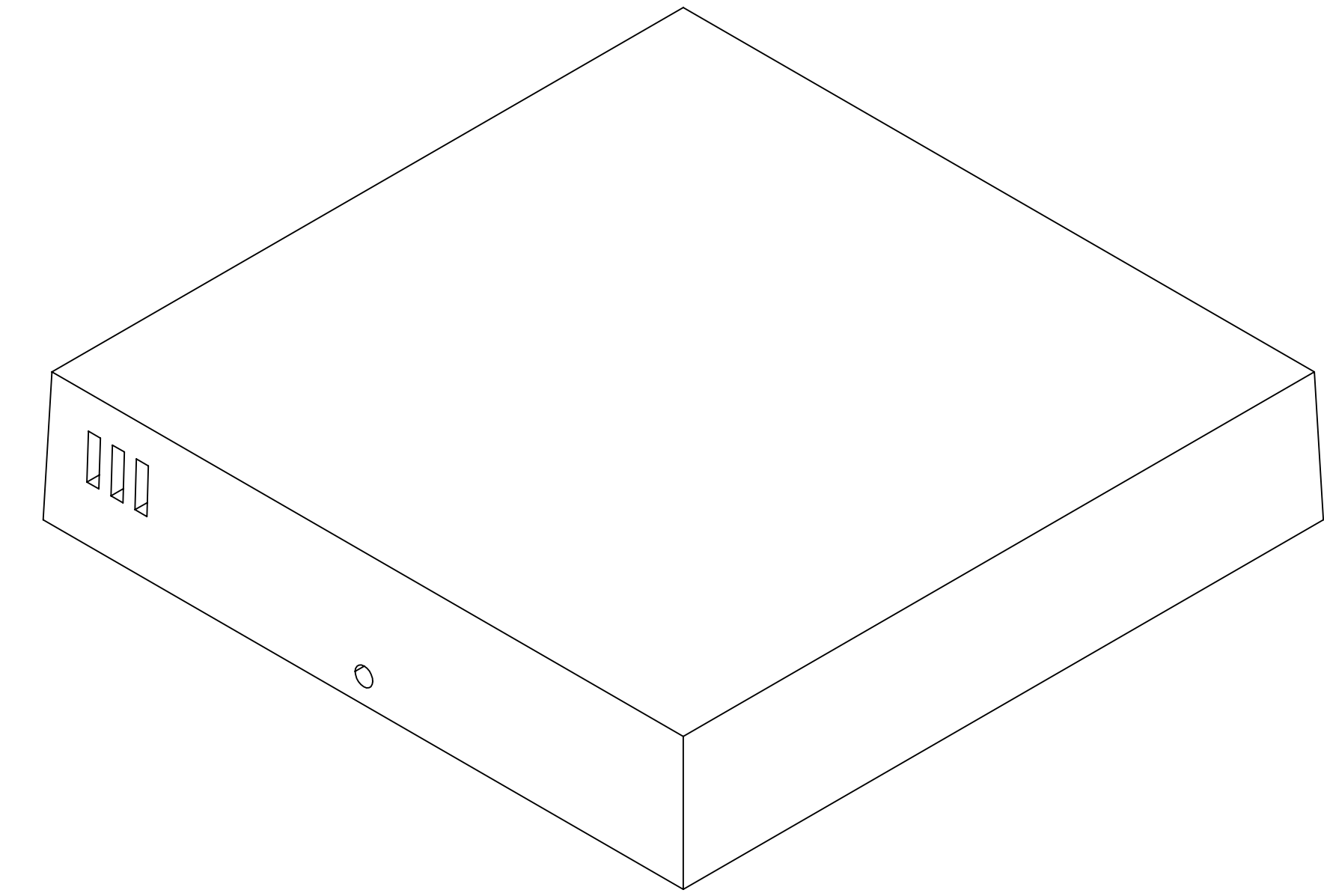
SURFACE-14



SURFACE-18



SURFACE-15



REV. NO	DATE	REVISED BY	DESCRIPTION OF CHANGE
 ALTINKAYA Electronic Enclosures & Components			
Customer Name:		Customer Ref. :	
Altinkaya Ref. :		Part Name: DM-8080	
DRAWN	NAME	DATE	Drawn From :
CHECKED	Y.YEL	12.10.2024	Weight :
DIMENSIONAL TOLERANCES UNLESS OTHERWISE SPECIFIED (DIN7168)			
	0.5-3mm	3-6mm	6-30mm
	±0.1	±0.1	±0.2
			±0.3
			±0.5
			m (Medium)
SCALE 1:1			SHEET 2 OF 2
UNIT: mm			AO

www.altinkaya.com