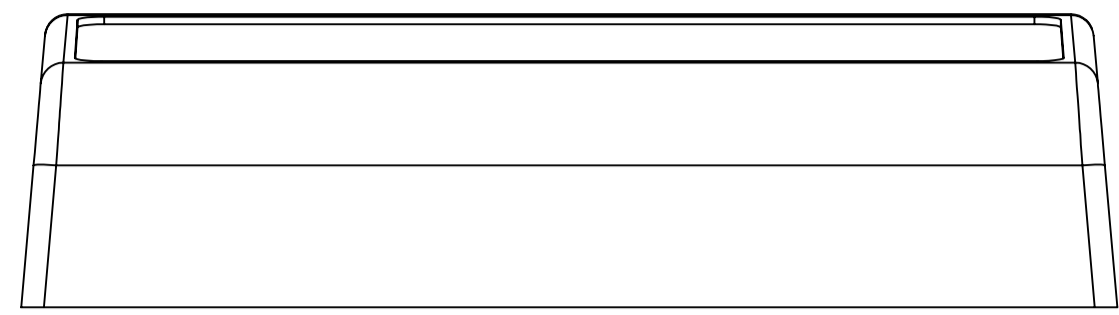
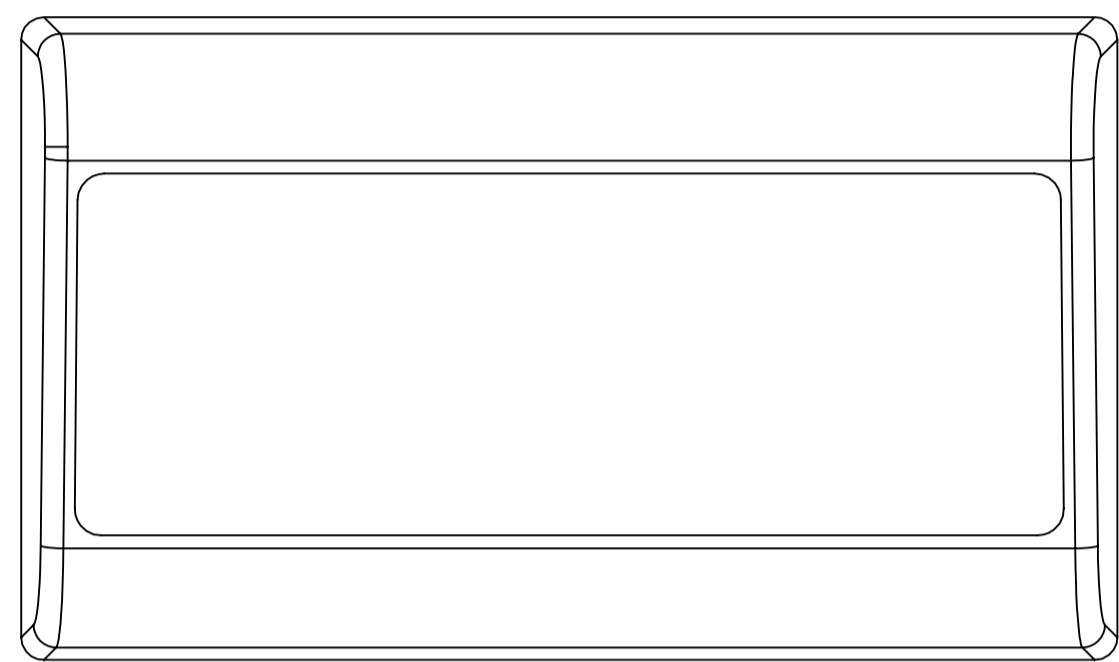


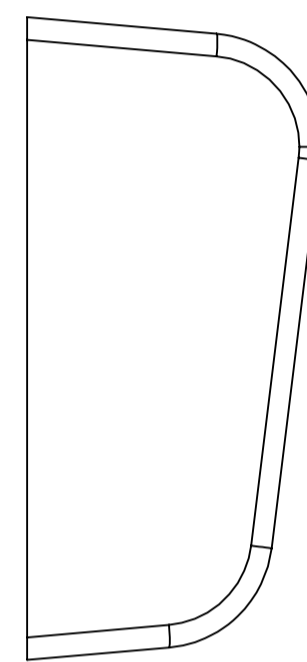
BASE: 6 SURFACE



SURFACE-1



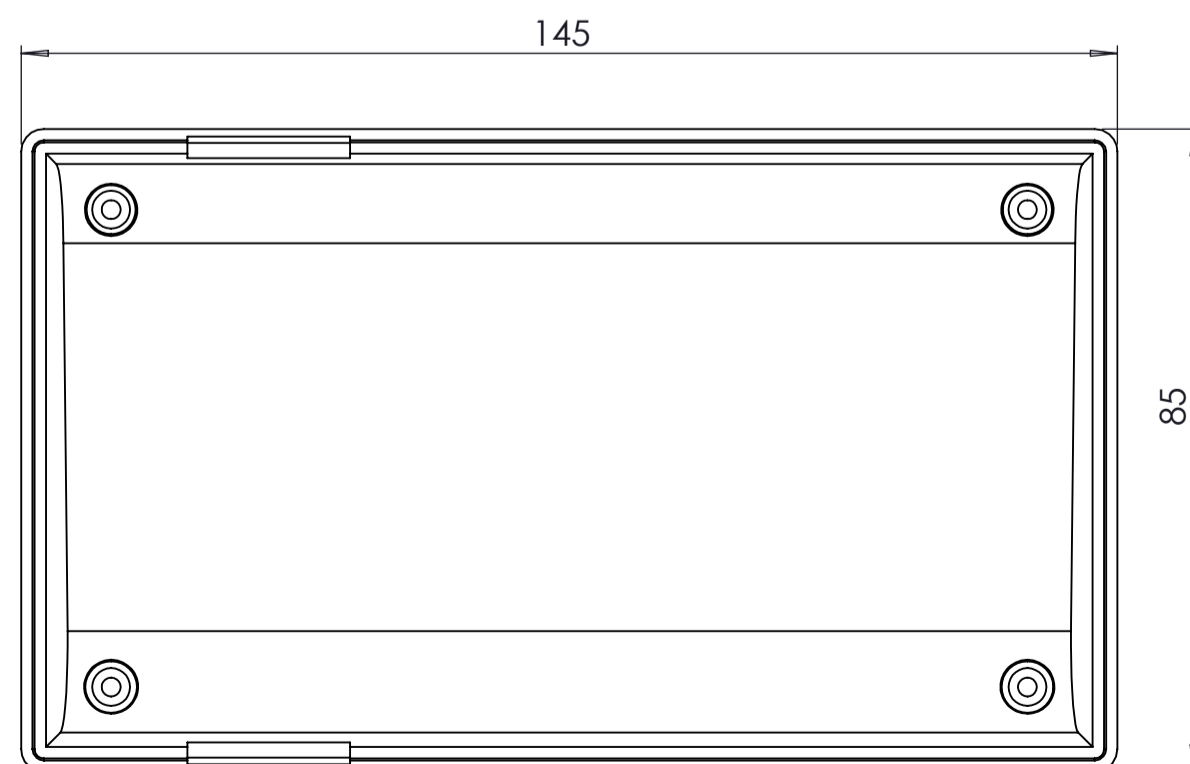
SURFACE-5



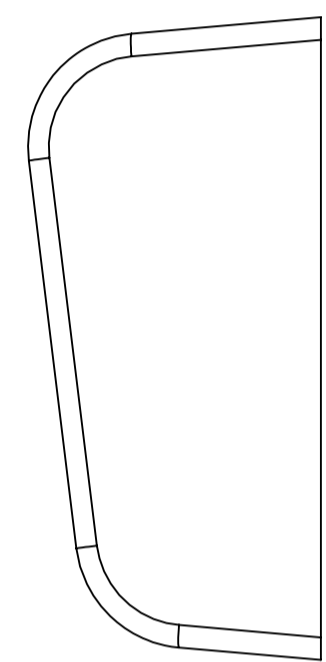
SURFACE-4



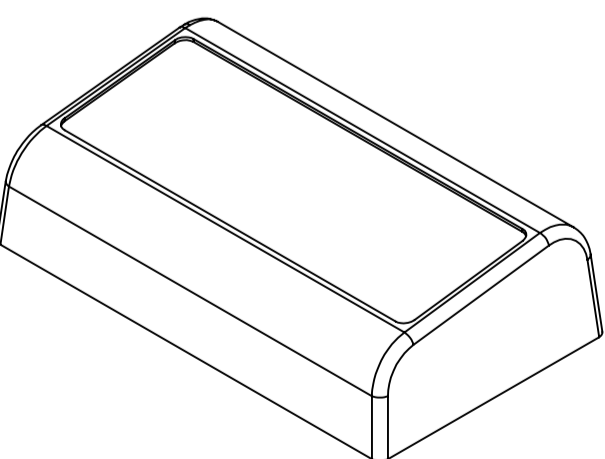
SURFACE-2



SURFACE-6 (INSIDE)



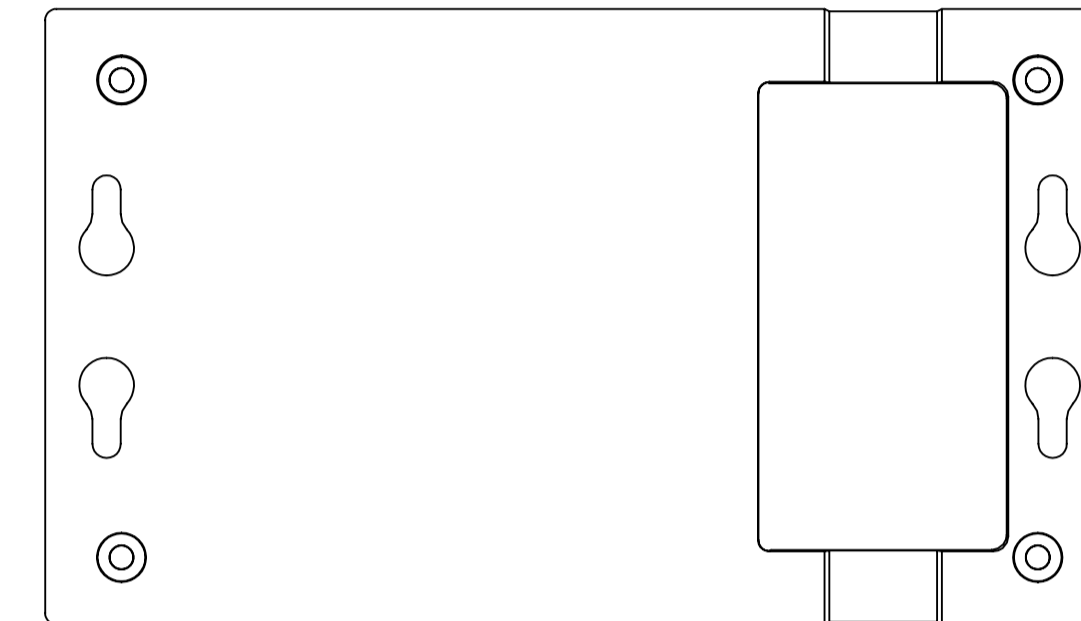
SURFACE-3



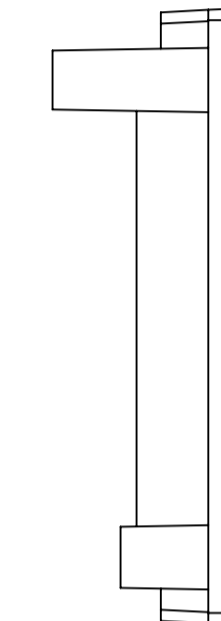
COVER: 6 SURFACE



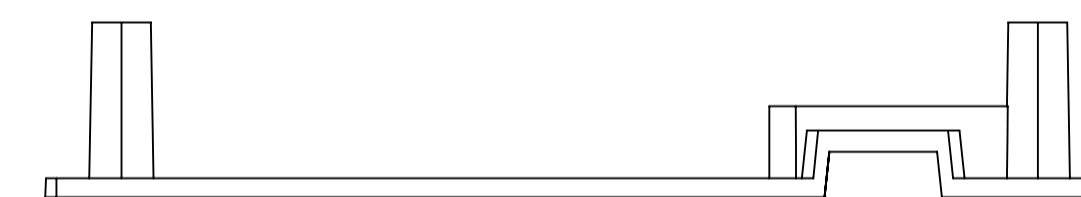
SURFACE-7



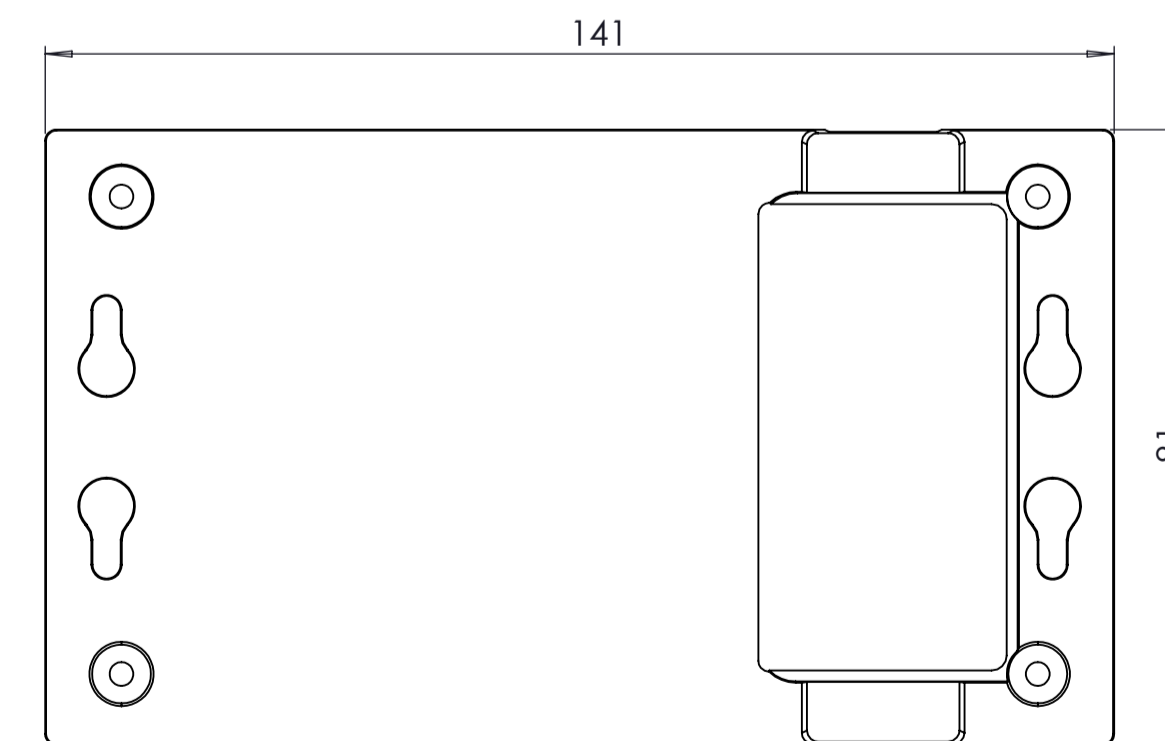
SURFACE-11



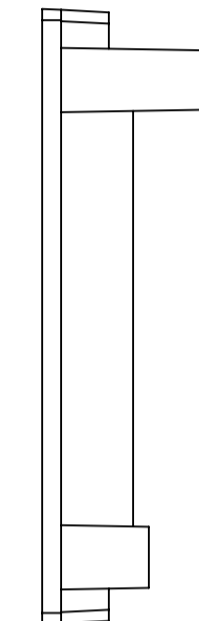
SURFACE-10



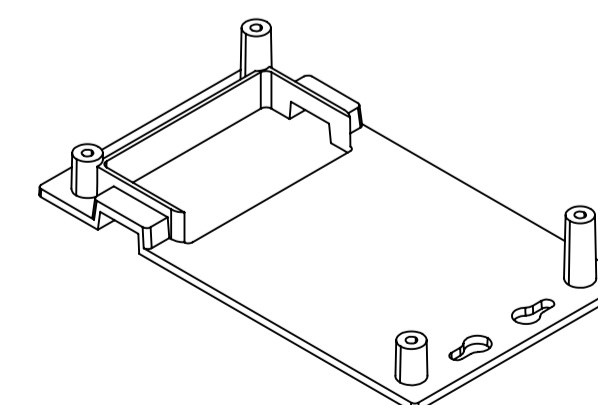
SURFACE-8



SURFACE-12 (INSIDE)

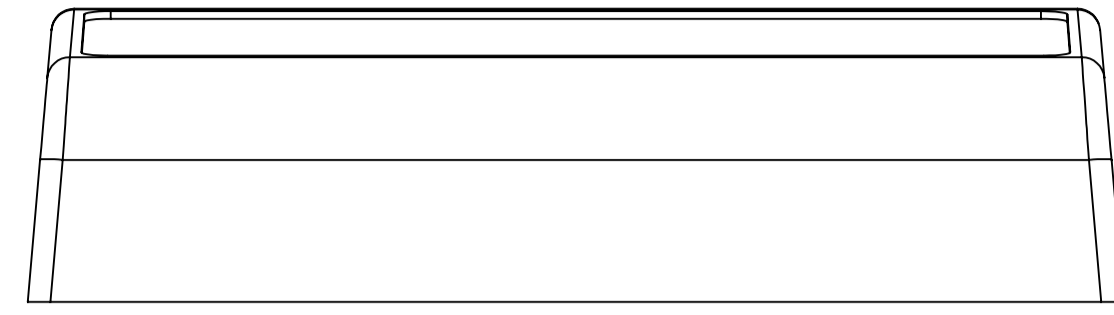


SURFACE-9

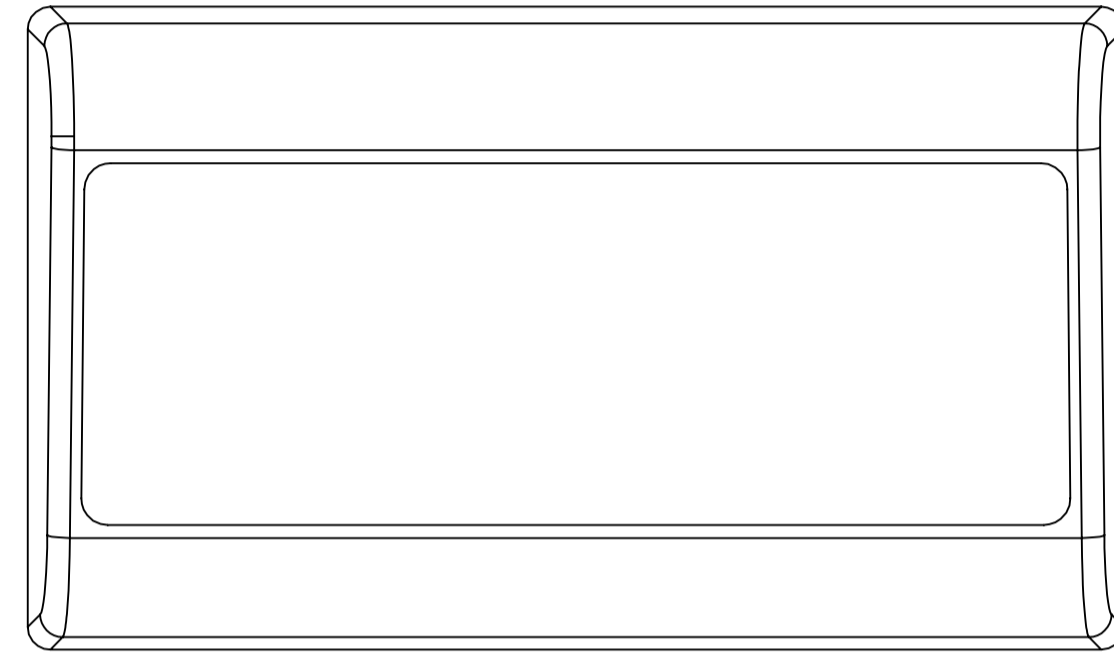


REV. NO.	DATE	REVISED BY	DESCRIPTION OF CHANGE
 ALTINKAYA Electronic Enclosures & Components www.altinkaya.com			
Customer Name:		Customer Ref.:	
Altinkaya Ref.:		Part Name: DM-080_3D	
DRAWN	NAME	DATE	Drawn From:
CHECKED	Y. YESILOZ	11.10.2024	Material:
DIMENSIONAL TOLERANCES UNLESS OTHERWISE SPECIFIED:			SCALE 1:1 UNIT : mm
±0.1	±0.1	±0.2	±0.3
±0.5	±0.5	±0.5	±0.5
Dimension (mm)			A1
m (medium)			SHEET 1 OF 2

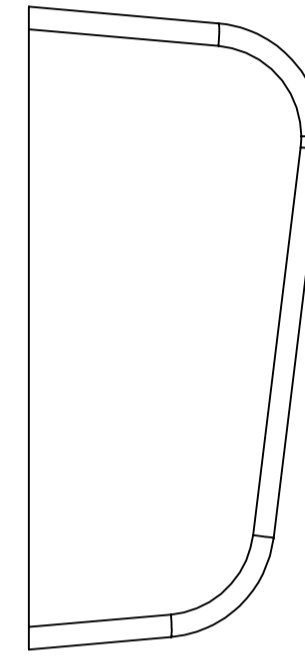
DM-080 IF MACHINED TOGETHER



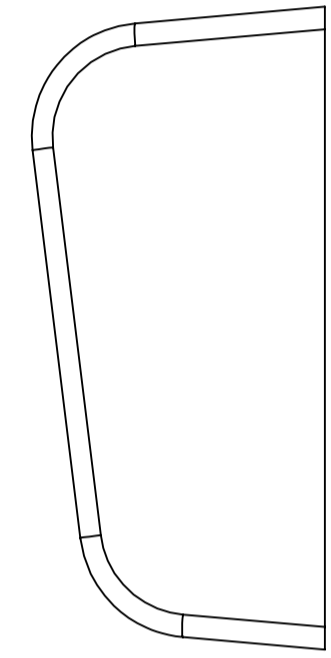
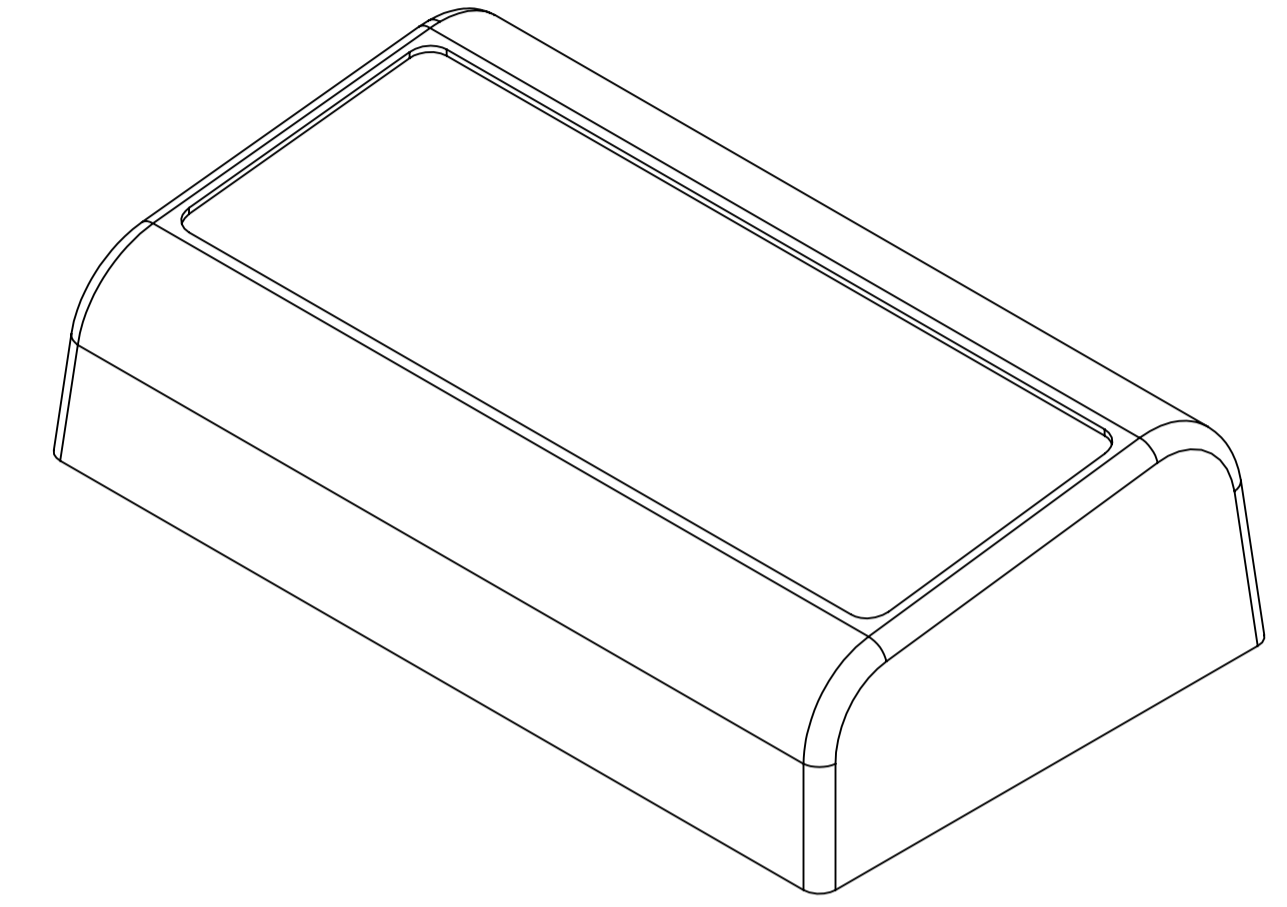
SURFACE-13



SURFACE-17



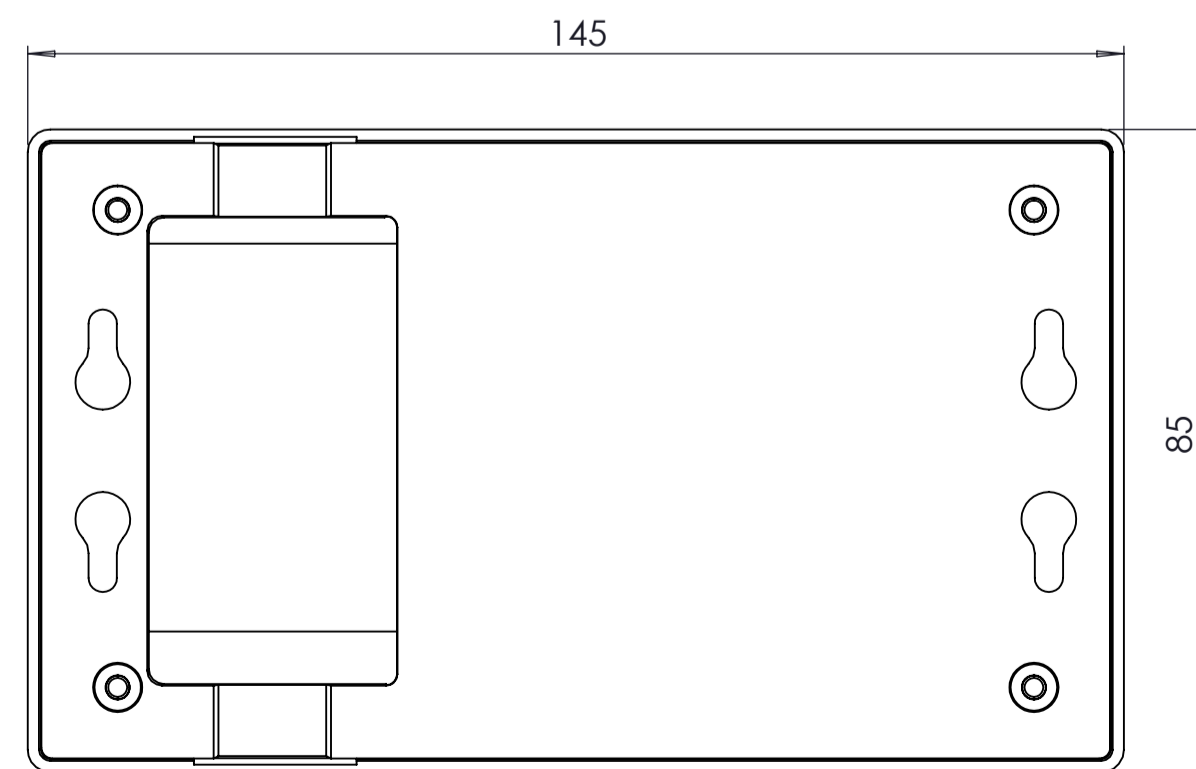
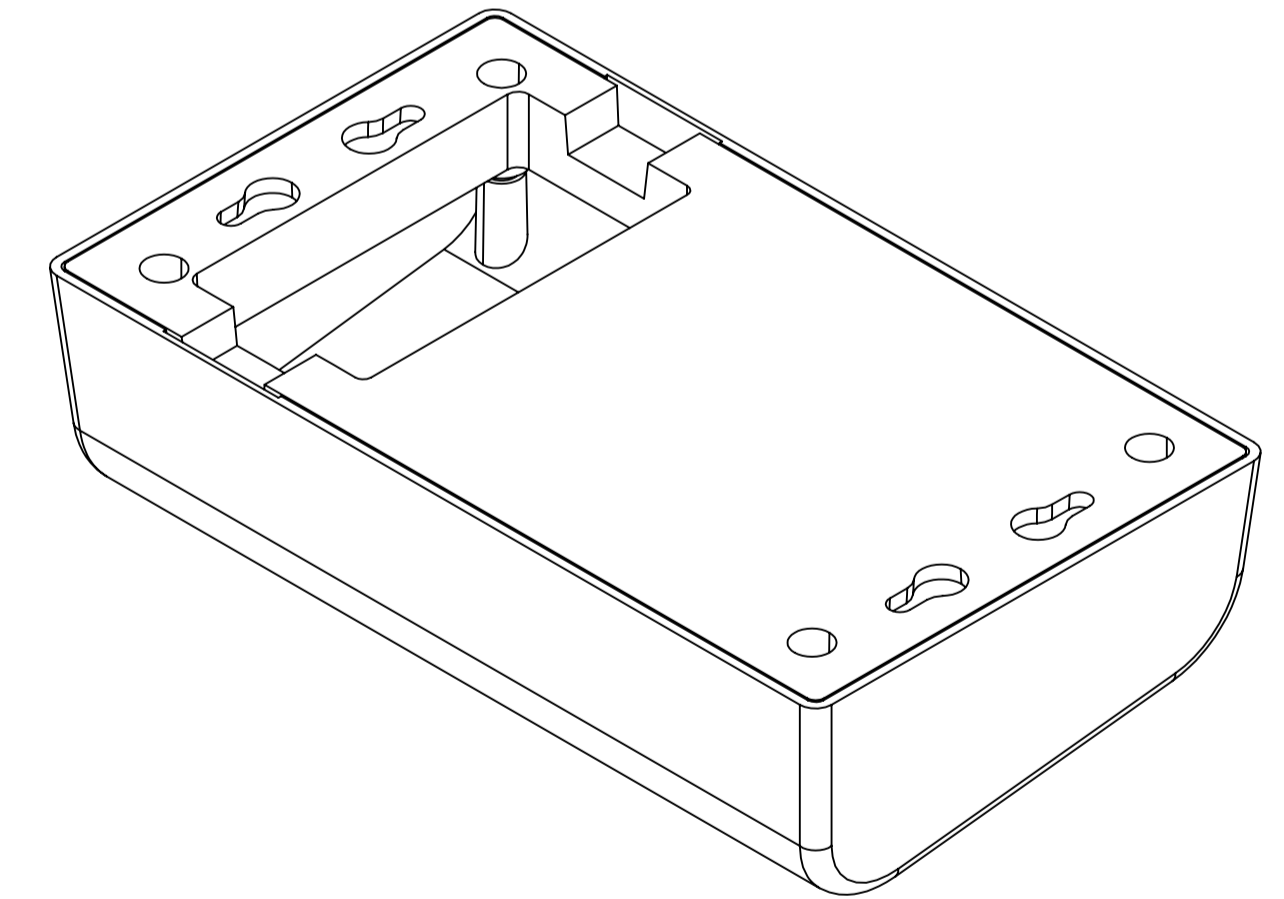
SURFACE-16



SURFACE-15



SURFACE-14



SURFACE-18

REV. NO.	DATE	REVISED BY	DESCRIPTION OF CHANGE
www.altinkaya.com			
Customer Name:		Customer Ref.:	
Altinkaya Ref.:		Part Name: DM-080_3D	
DRAWN	NAME	DATE	Drawn From:
CHECKED	Y. YEL	11.10.2024	Material:
DIMENSIONAL TOLERANCES UNLESS OTHERWISE SPECIFIED:			Weight:
(R&T/148)	±0.1	±0.1	±0.2
		±0.3	±0.5
			SCALE 1:1 UNIT : mm
			Dimension(mm)
			m(medium)
			1 SHEET 2 OF 2