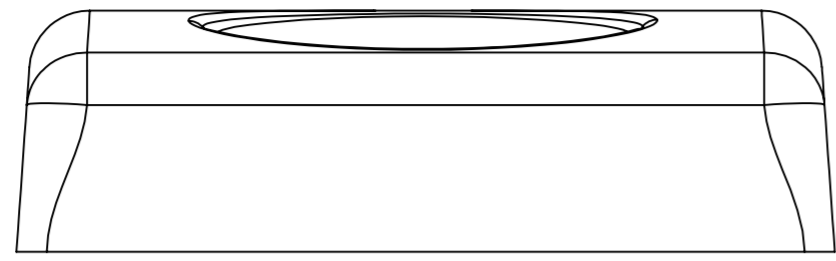
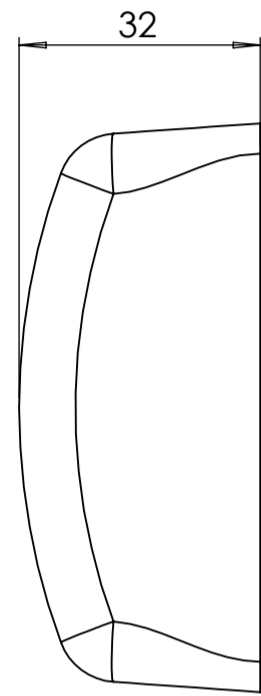


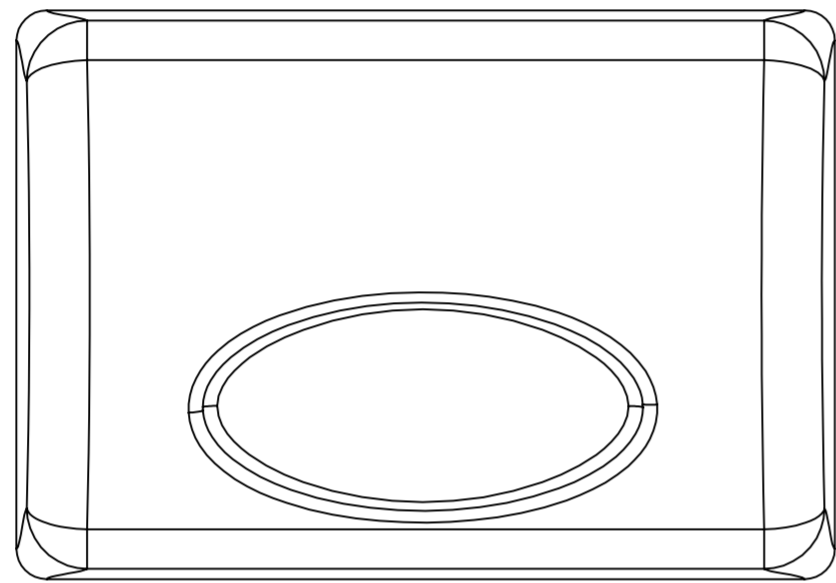
# BASE: 6 SURFACE



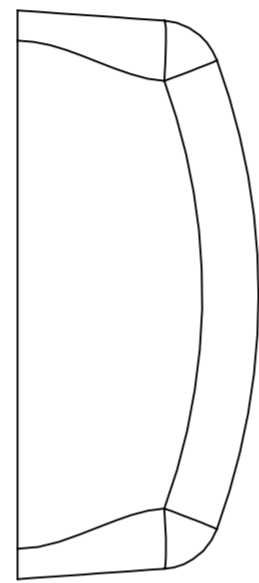
SURFACE-1



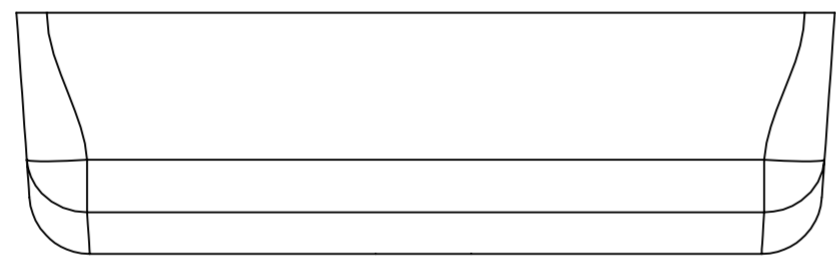
SURFACE-3



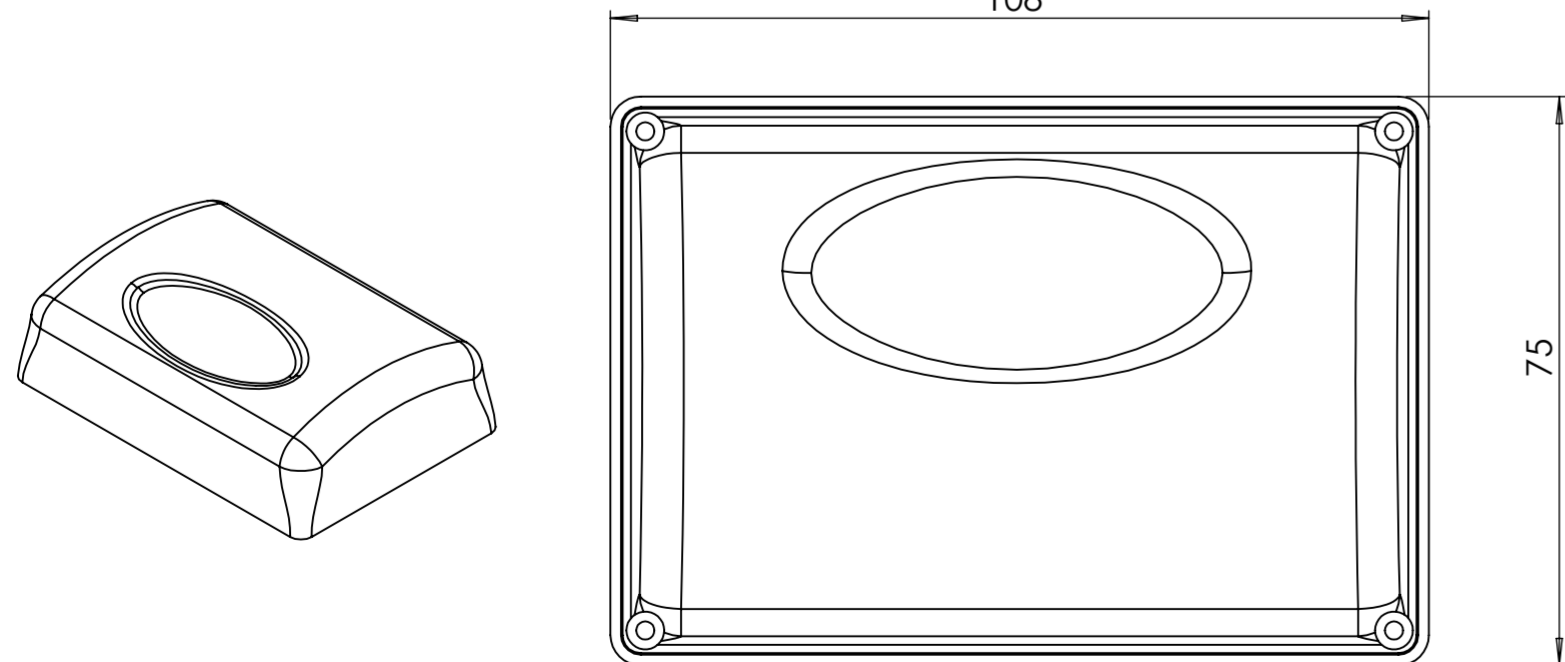
SURFACE-5



SURFACE-4

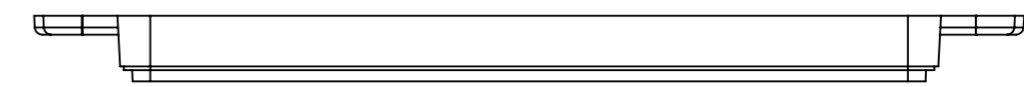


SURFACE-2

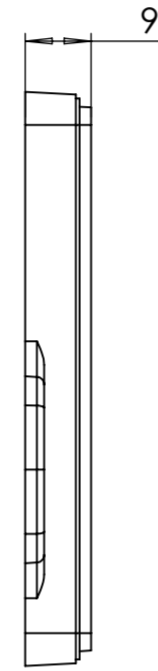


SURFACE-6 (INSIDE)

# COVER: 6 SURFACE



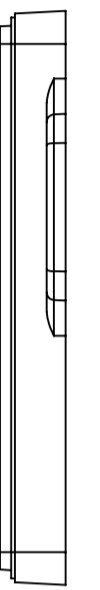
SURFACE-7



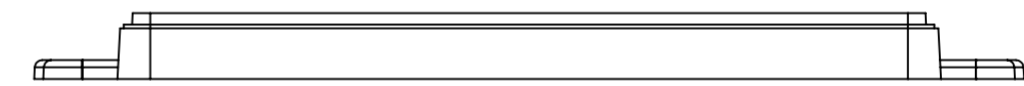
SURFACE-9



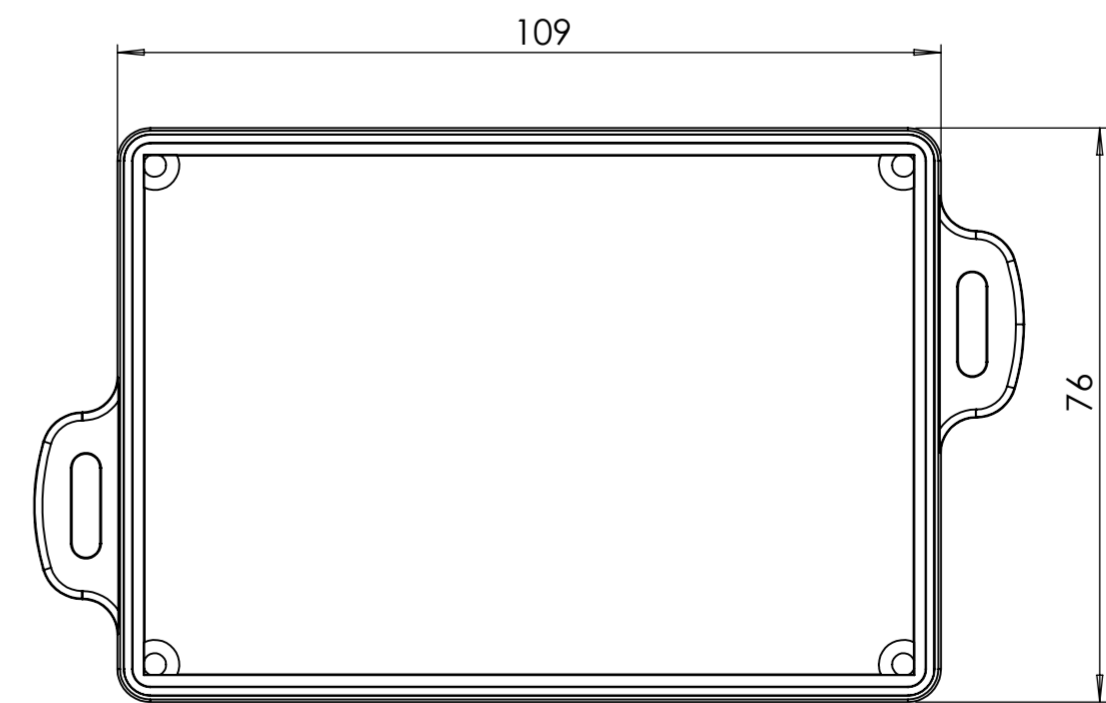
SURFACE-11



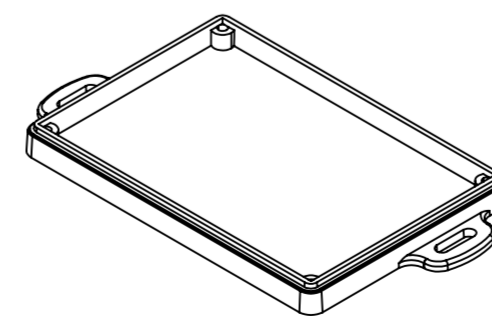
SURFACE-10



SURFACE-8

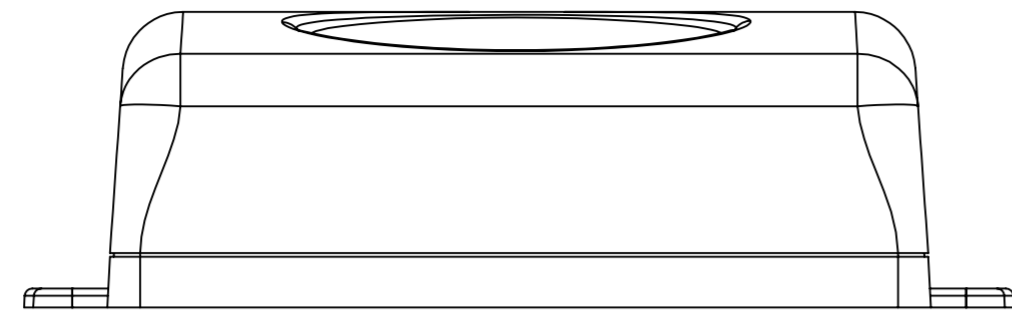


SURFACE-12 (INSIDE)

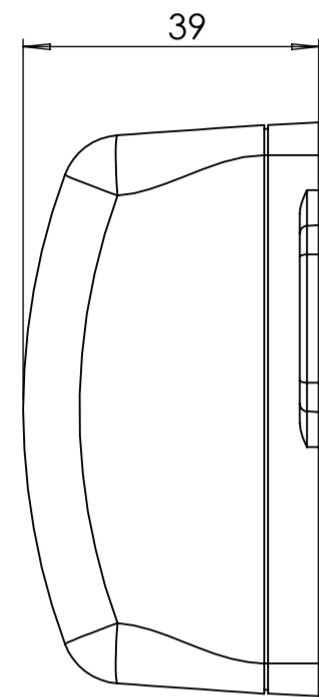


REV. NO	DATE	REVISED BY	DESCRIPTION OF CHANGE
<b>ALTINKAYA</b> Electronic Enclosures & Components			
Customer Name:		Customer Ref.:	
Altinkaya Ref.:		Part Name: DM-045	
DRAWN	NAME	DATE	Drawn From:
Y.YEL	S.YESIL OZ	19.09.2024	Material:
CHECKED	Y.YEL	19.09.2024	Weight:
DIMENSIONAL TOLERANCES (UNLESS OTHERWISE SPECIFIED) (DIN 7148)			
	0,5-3mm	3-6mm	6-30mm
	±0,1	±0,1	±0,2
			±0,3
			±0,5
			mm (medium)

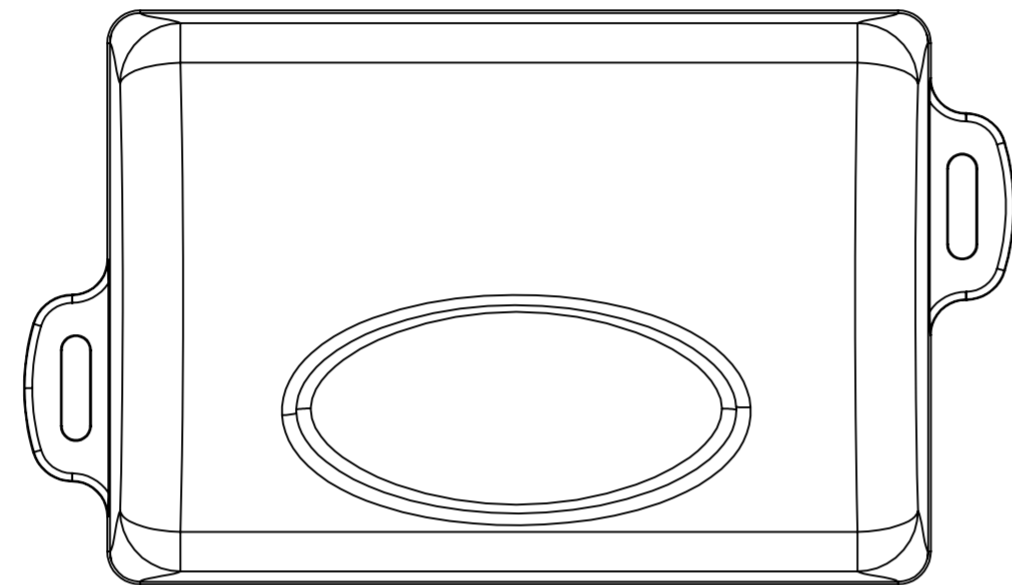
# DM-045 IF MACHINED TOGETHER



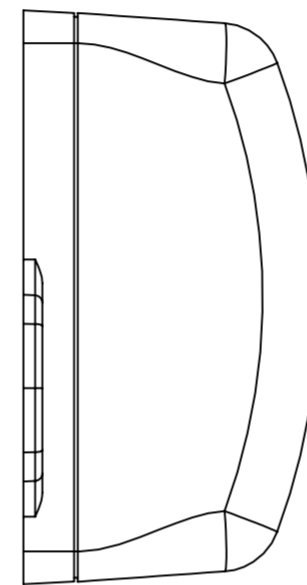
SURFACE-13



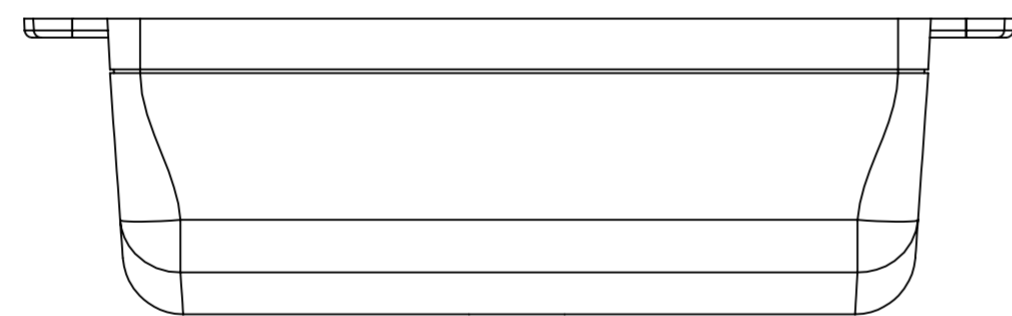
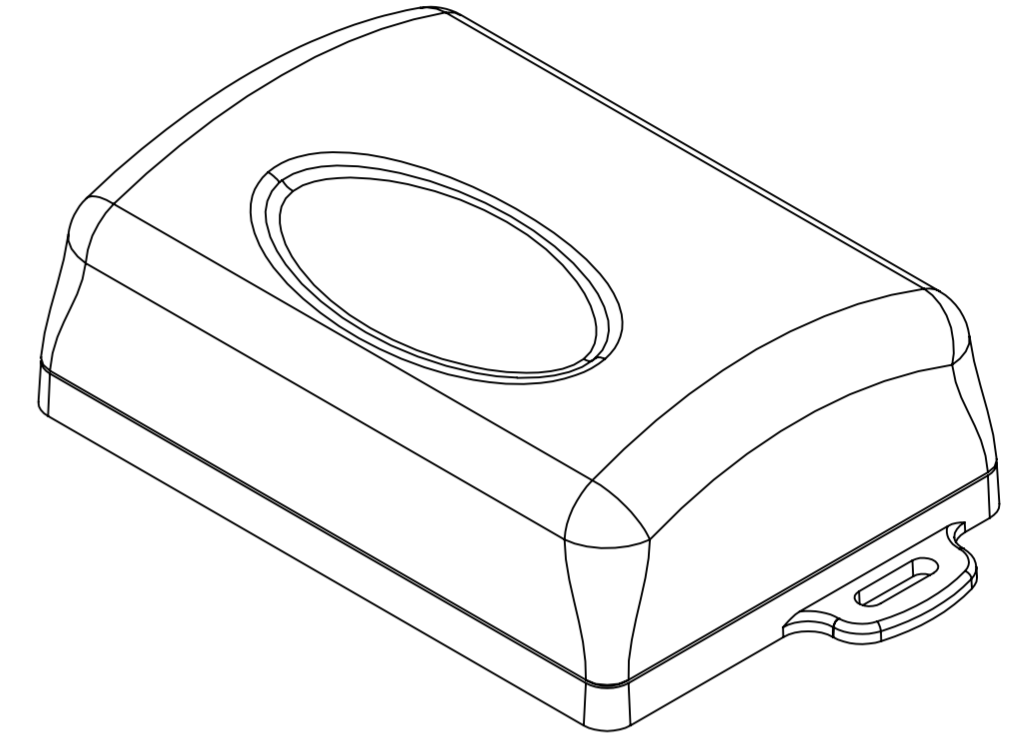
SURFACE-15



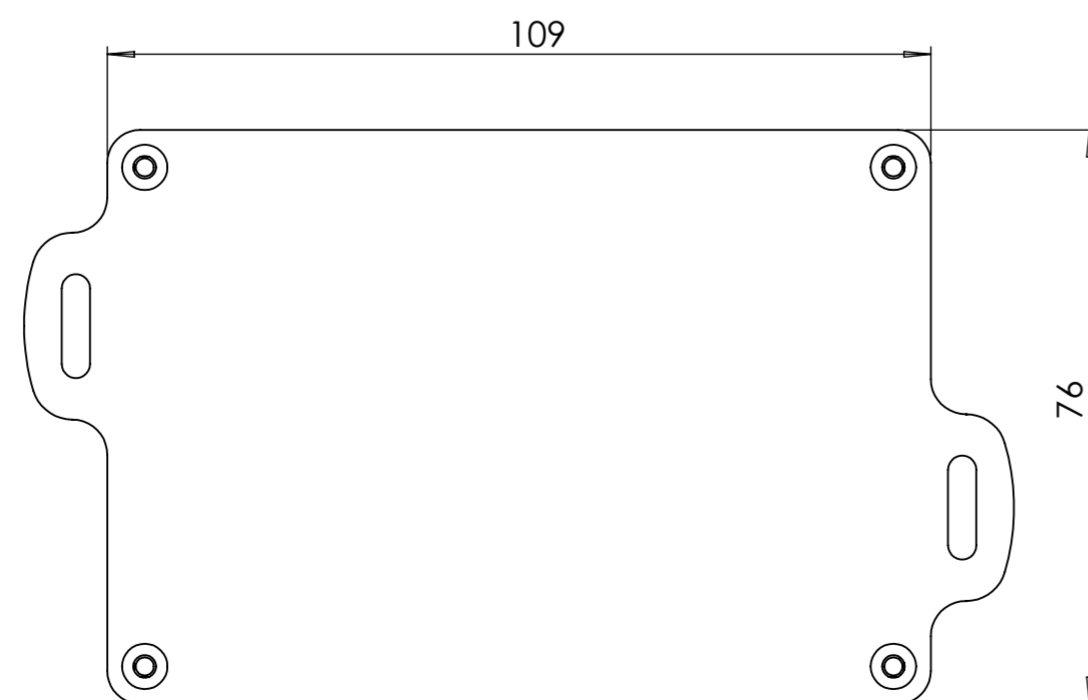
SURFACE-17



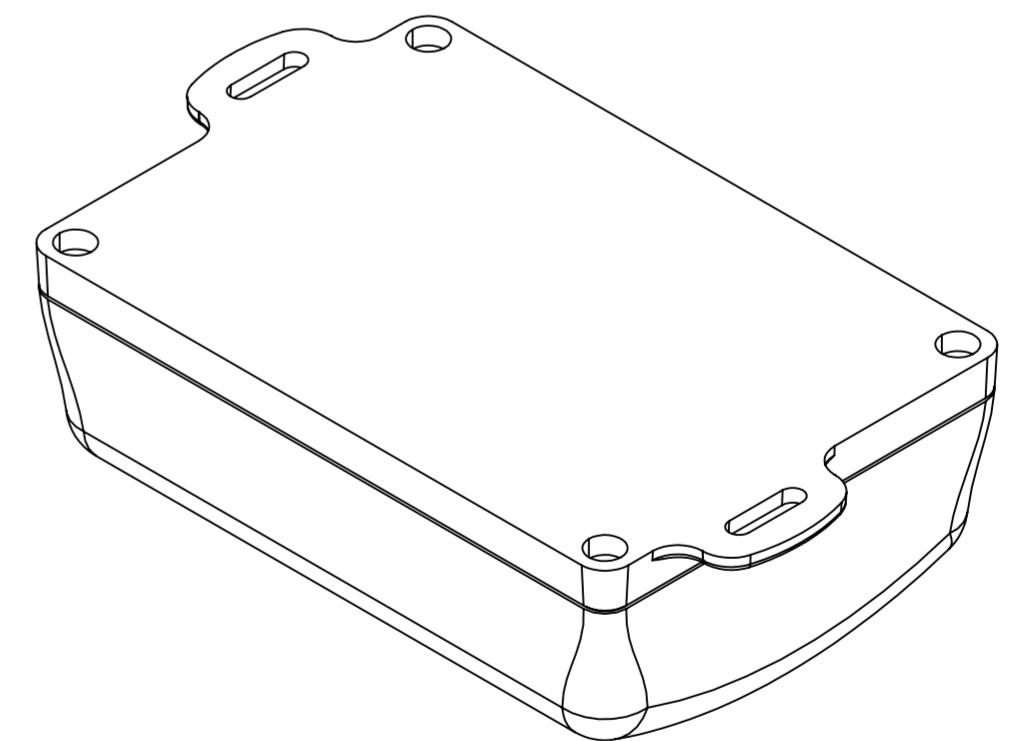
SURFACE-16



SURFACE-14



SURFACE-18



REV. NO	DATE	REVISED BY	DESCRIPTION OF CHANGE
<b>ALTINKAYA</b> Electronic Enclosures & Components			<a href="http://www.altinkaya.com">www.altinkaya.com</a>
Customer Name:		Customer Ref.:	
Allinkaya Ref.:		Part Name: DM-045	
DRAWN	NAME	DATE	Drawn From:
CHECKED	Y.YEL	19.09.2024	Weight:
DIMENSIONAL TOLERANCES UNLESS OTHERWISE SPECIFIED (DIN 7148)			
	0,5-3mm	3-6mm	6-30mm
	±0,1	±0,1	±0,2
			±0,3
			±0,5
			mm (medium)

SCALE: 1:1

SHEET 2 OF 2

A2