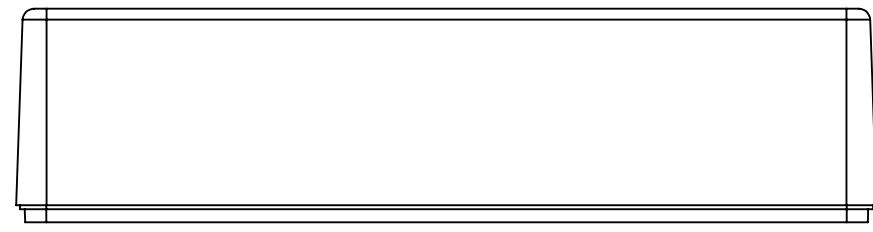
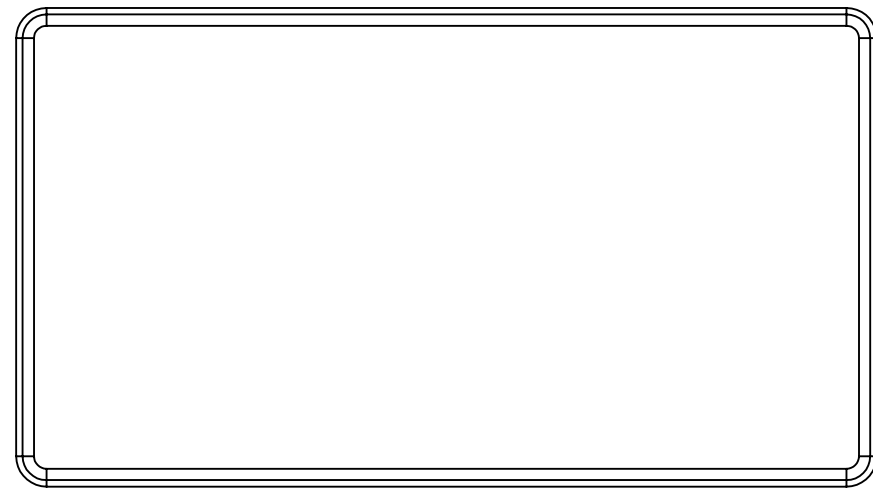


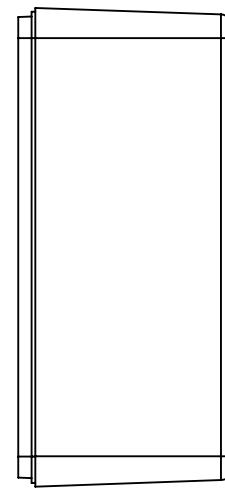
BASE: 6 SURFACE



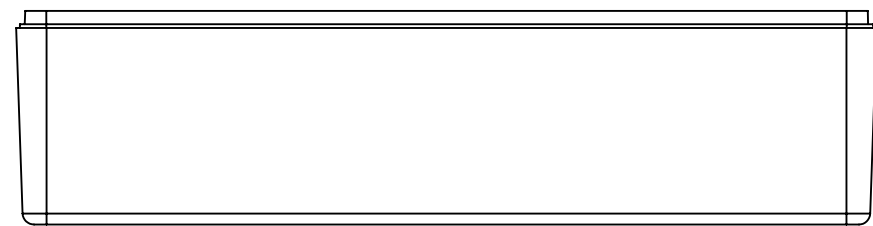
SURFACE-1



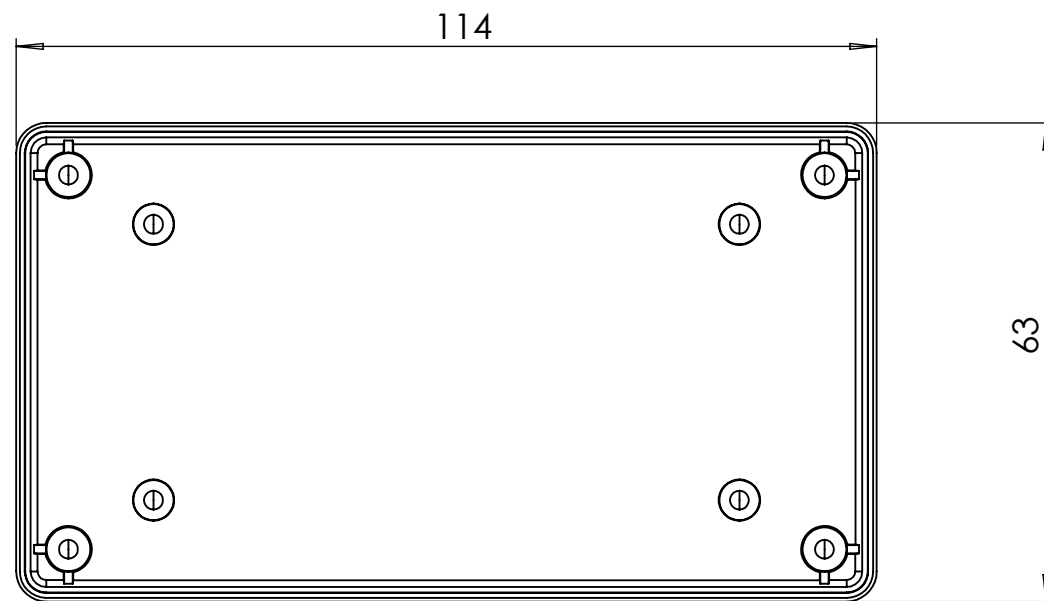
SURFACE-5



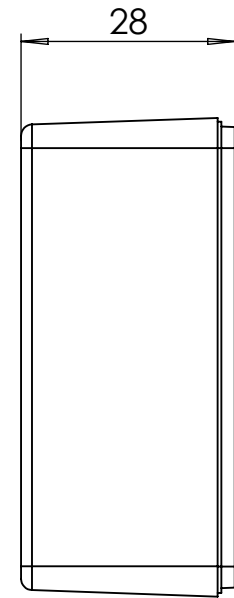
SURFACE-4



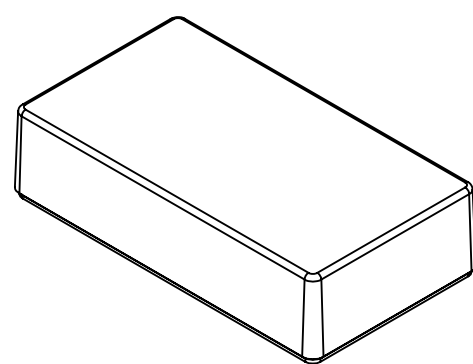
SURFACE-2



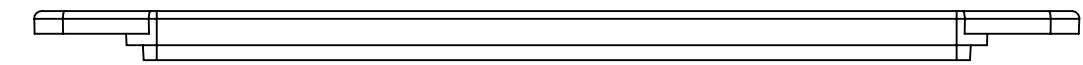
SURFACE-6 (INSIDE)



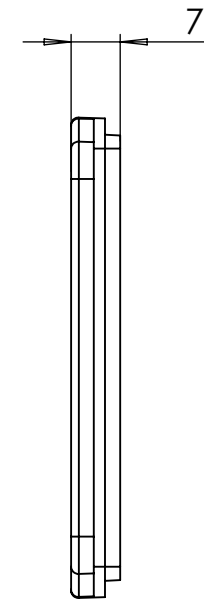
SURFACE-3



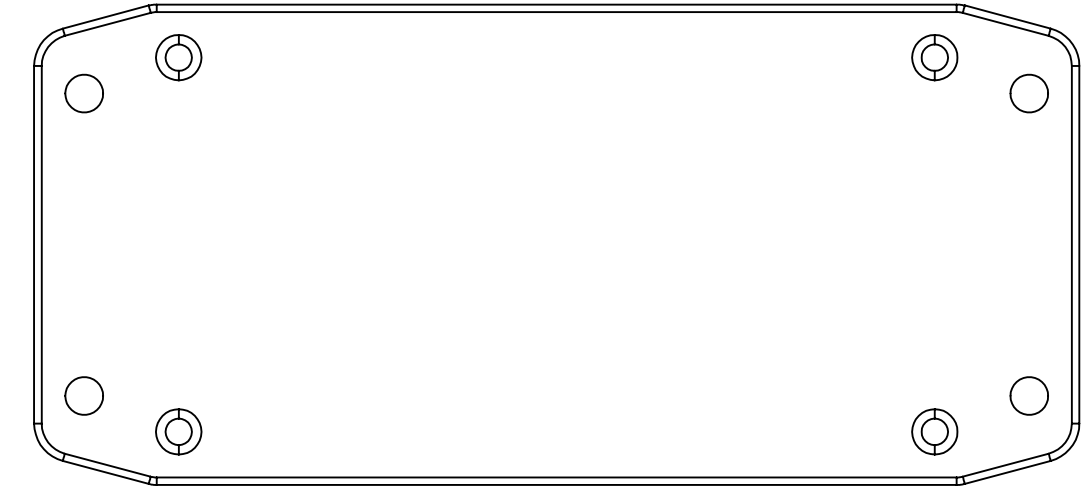
COVER: 6 SURFACE



SURFACE-7



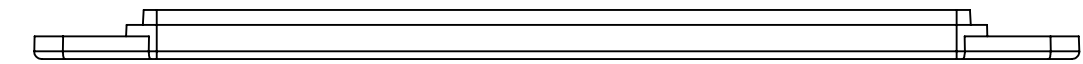
SURFACE-9



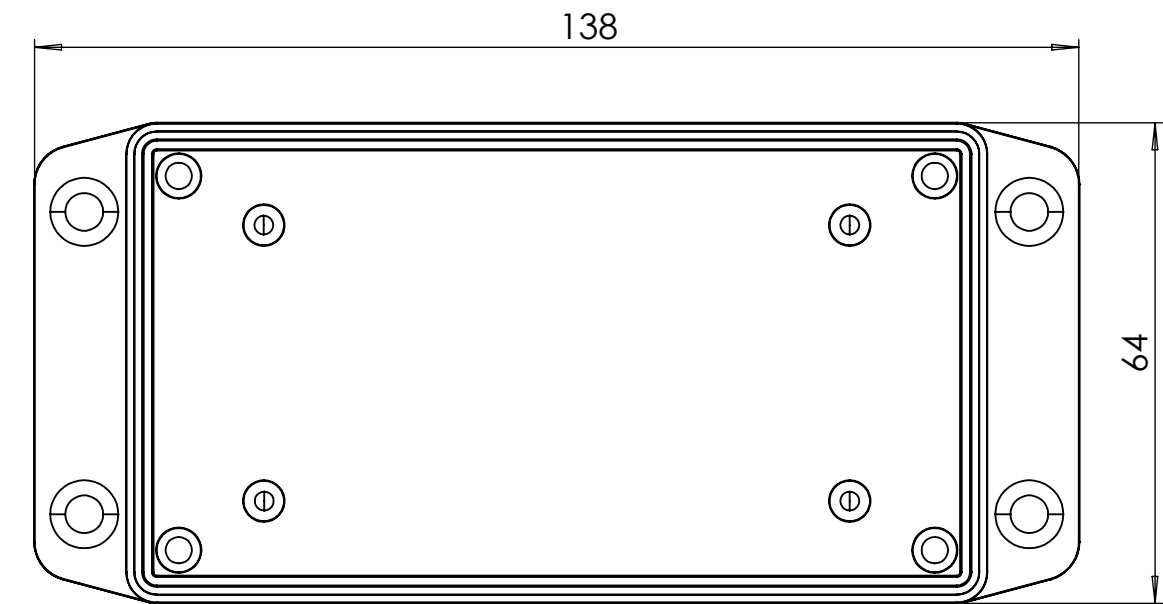
SURFACE-11



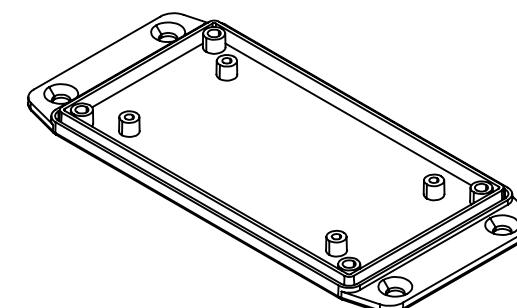
SURFACE-10



SURFACE-8



SURFACE-12 (INSIDE)



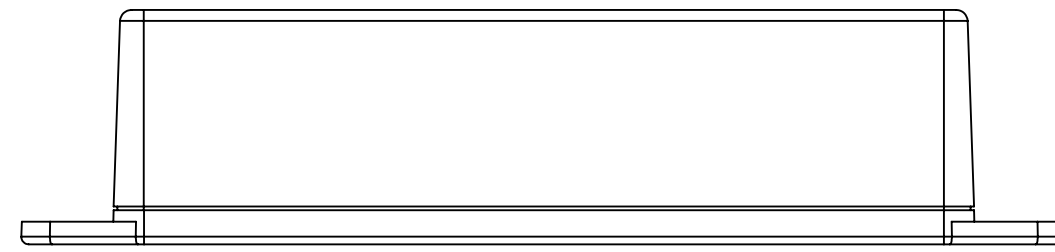
REV. NO.	DATE	REVISED BY	DESCRIPTION OF CHANGE
Customer Name:			Customer Ref.:
Allinkaya Ref.:			Part Name: DM-044
DRAWN	NAME	DATE	Drawn From:
Y.YEL	S.YESILOZ	19.09.2024	Material:
CHECKED	Y.YEL	19.09.2024	Weight:
DIMENSIONAL TOLERANCES (UNLESS OTHERWISE SPECIFIED (EN 7148))			
	0,5-3mm	3-6mm	6-30mm
	±0,1	±0,1	±0,2
			±0,3
			±0,5
			m (medium)

ALTINKAYA
Electronic Enclosures & Components
www.altinkaya.com

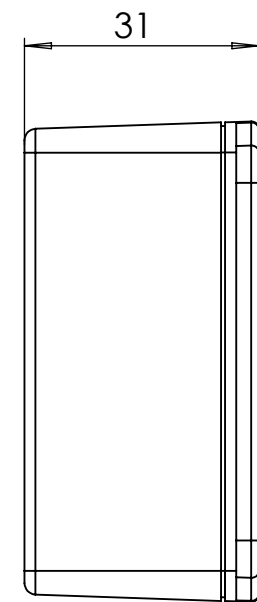
Customer Name: _____ Customer Ref.: _____
Part Name: DM-044

UNIT: mm

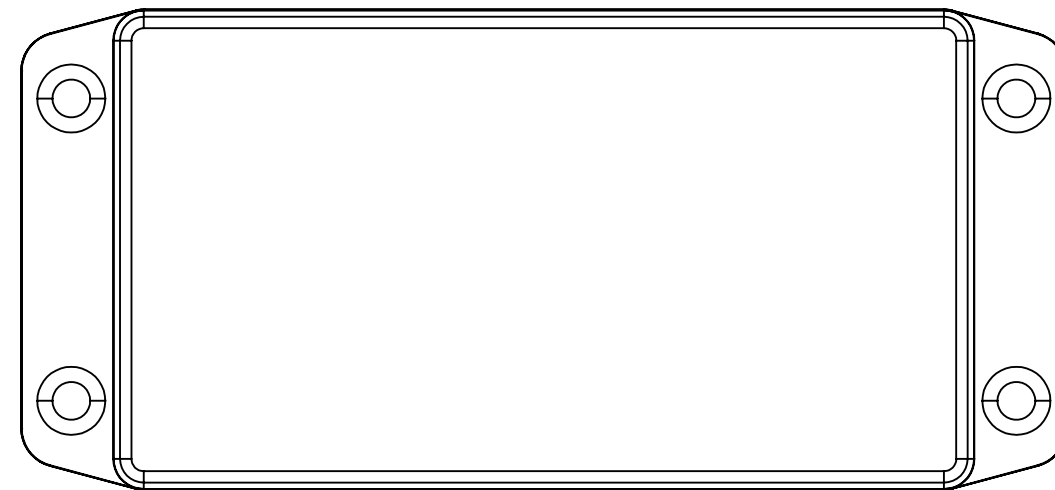
DM-044 MACHINED TOGETHER



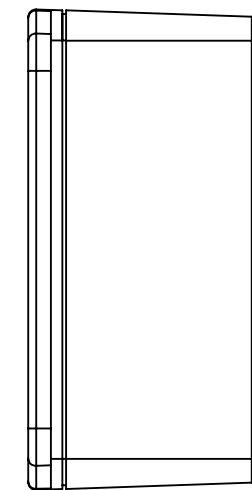
SURFACE-13



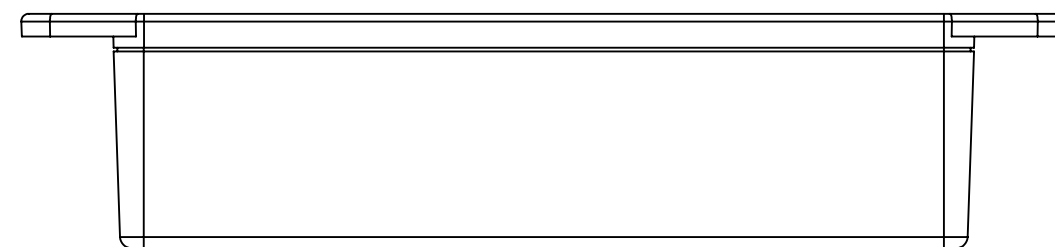
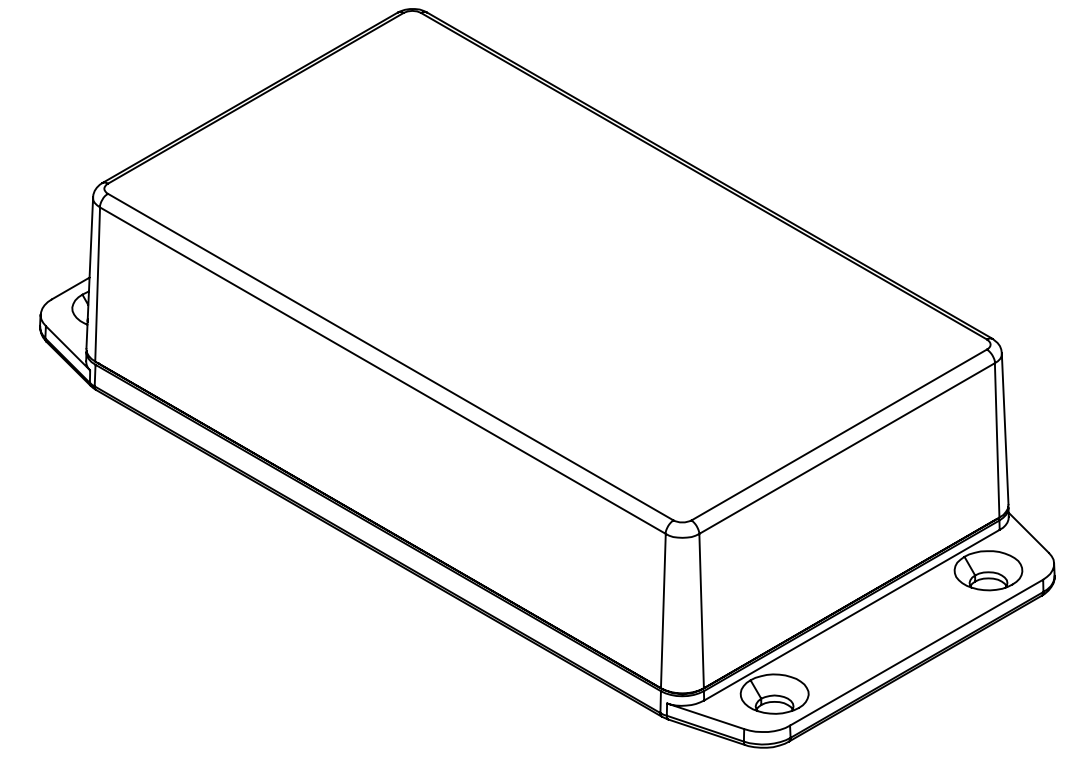
SURFACE-15



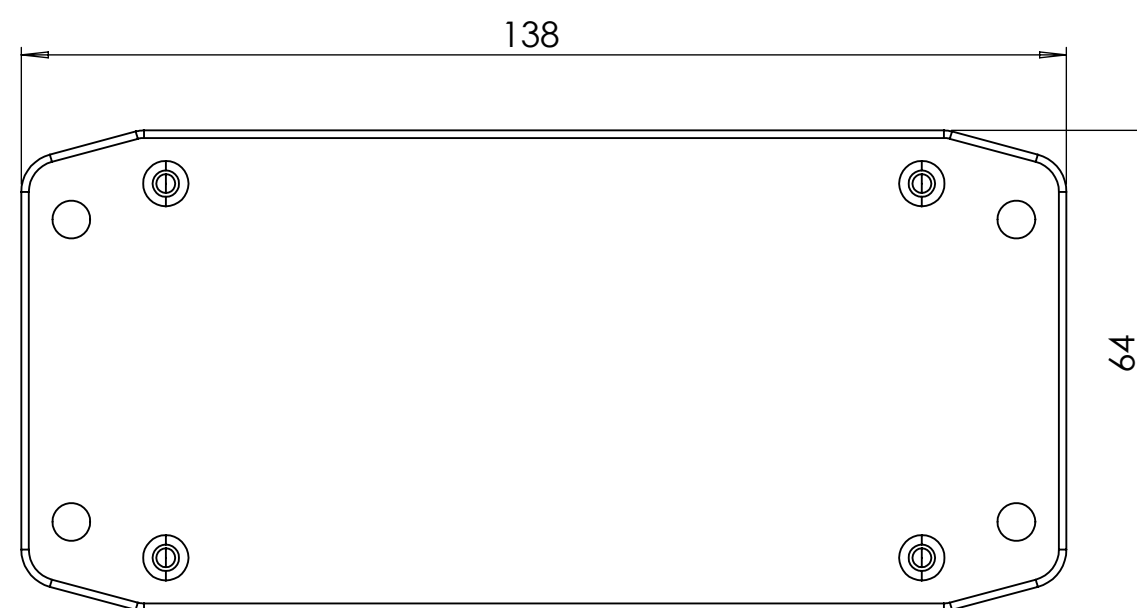
SURFACE-17



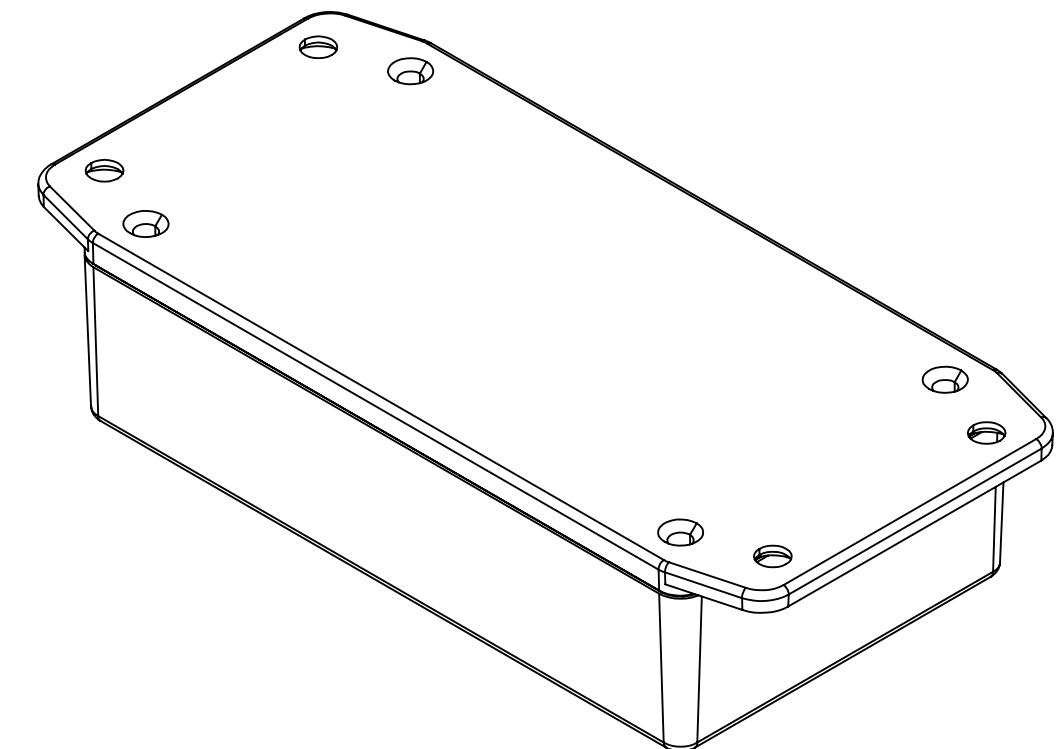
SURFACE-16



SURFACE-14



SURFACE-18



REV. NO	DATE	REVISED BY	DESCRIPTION OF CHANGE
www.altinkaya.com			
Customer Name:		Customer Ref.:	
Allinkaya Ref.:		Part Name: DM-044	
DRAWN	NAME	DATE	Drawn From:
CHECKED	Y.YEL	19.09.2024	Weight:
<small>DIMENSIONAL TOLERANCES UNLESS OTHERWISE SPECIFIED (DIN 7148)</small>			
	±0.1	±0.1	±0.2
	±0.3	±0.3	±0.5
	mm (medium)		

SCALE: 1:1

SHEET 2 OF 2