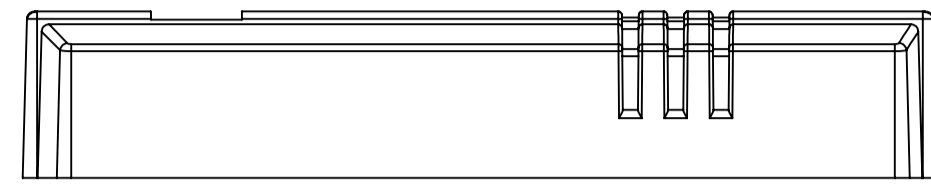
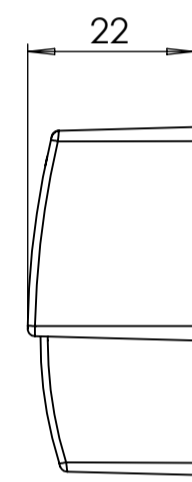


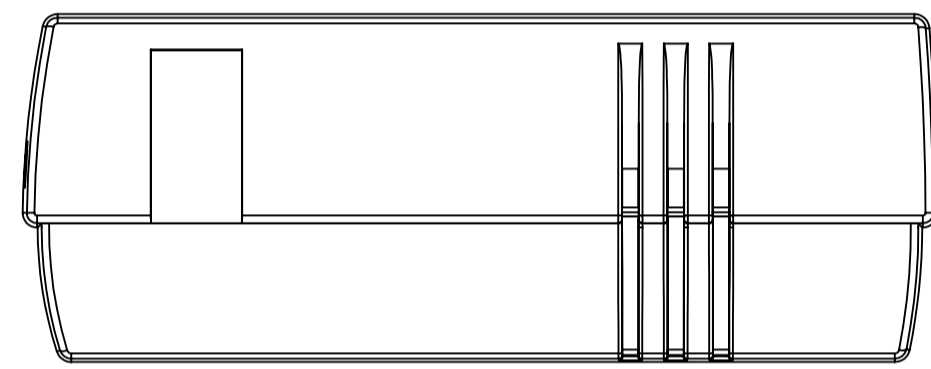
BASE: 6 SURFACE



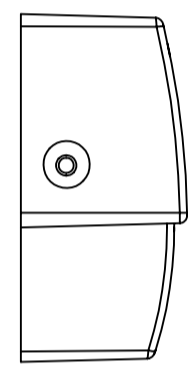
SURFACE-1



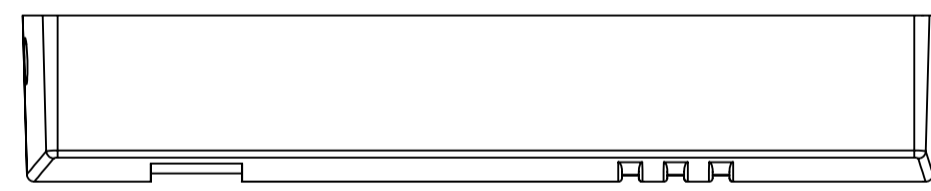
SURFACE-3



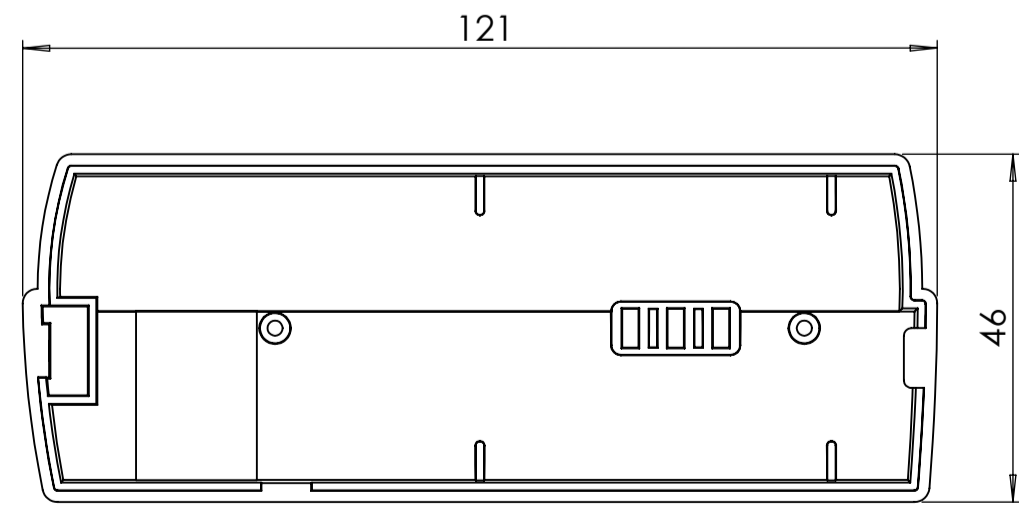
SURFACE-5



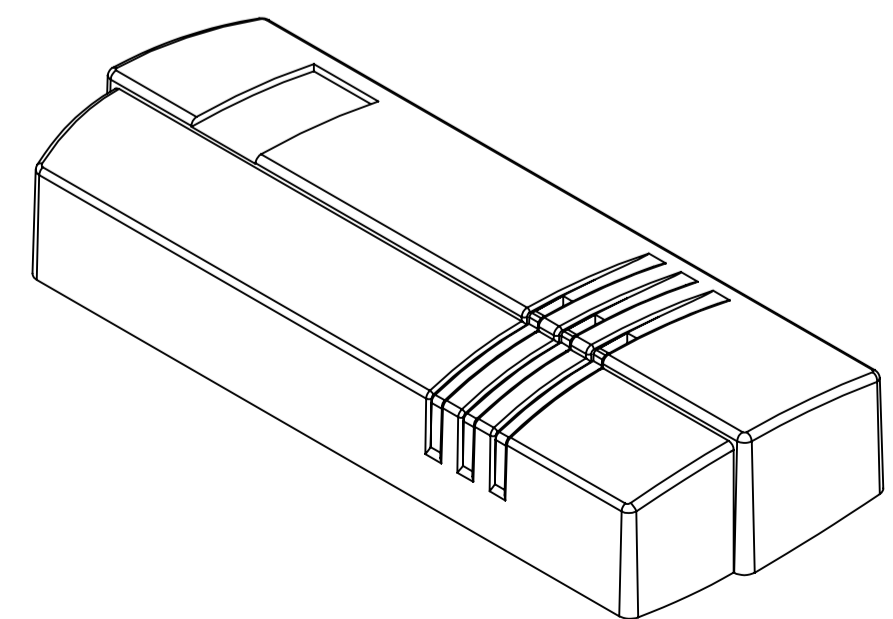
SURFACE-4



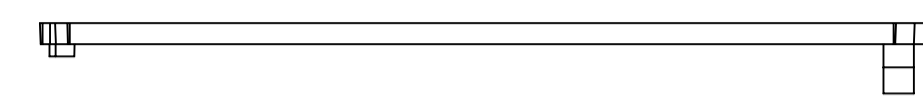
SURFACE-2



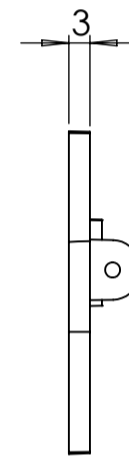
SURFACE-6 (INSIDE)



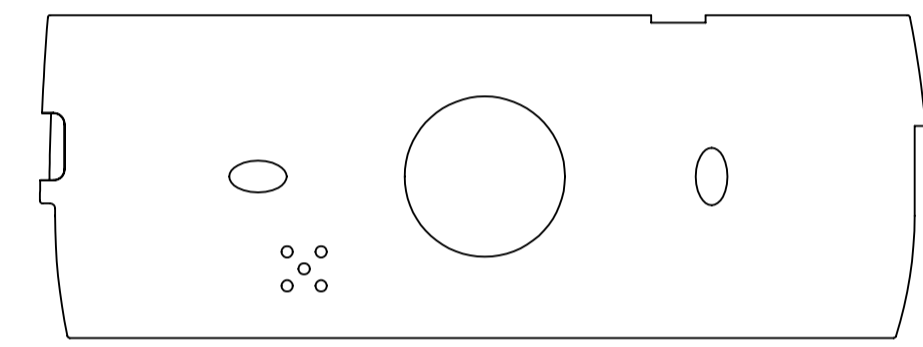
COVER: 6 SURFACE



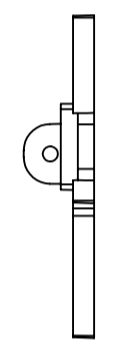
SURFACE-7



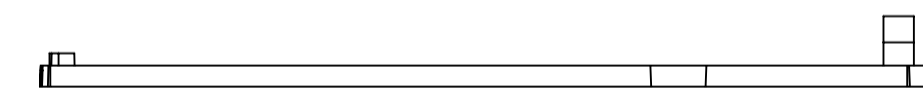
SURFACE-9



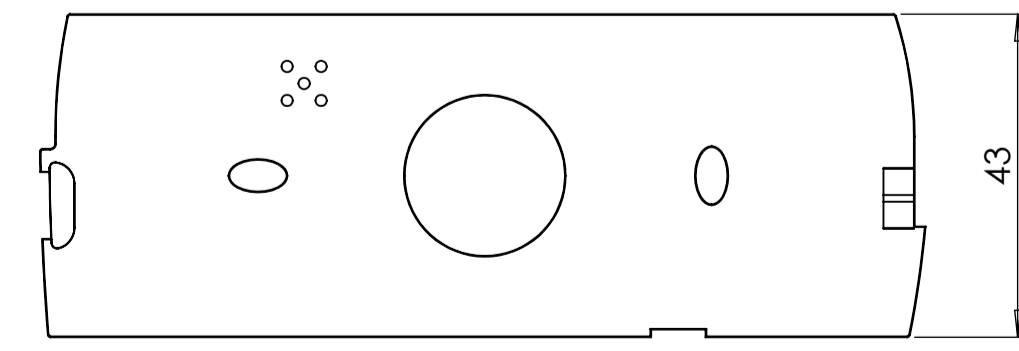
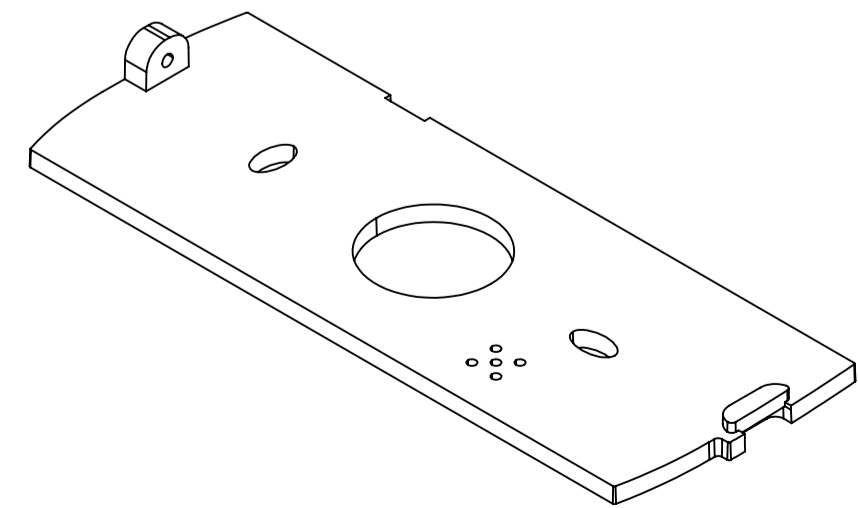
SURFACE-11




SURFACE-10



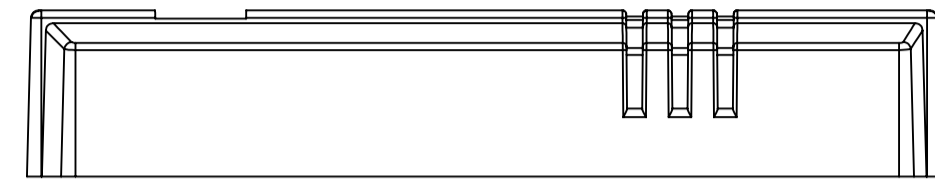
SURFACE-8



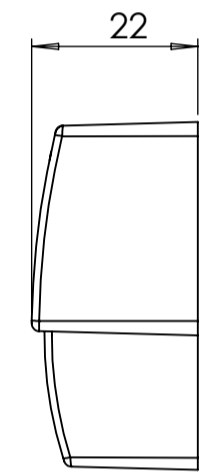
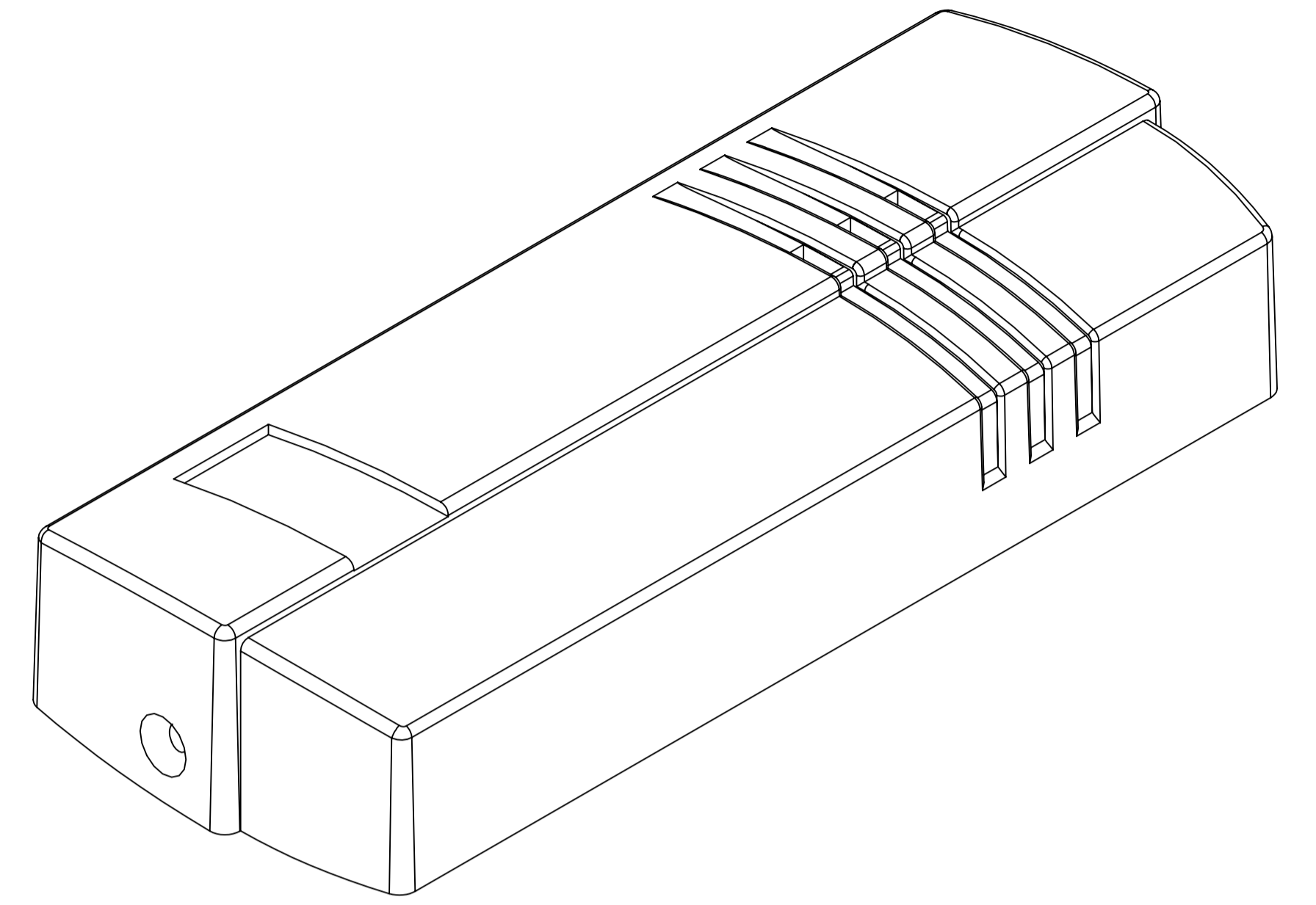
SURFACE-12 (INSIDE)

| REV. NO. | DATE | REVISED BY | DESCRIPTION OF CHANGE |
|-----------------------------------------------------------------------------------------------------------------------------------------------------------------------------------|--------|-------------------|-----------------------|
|  www.altinkaya.com | | | |
| Customer Name: | | Customer Ref.: | |
| Altinkaya Ref.: | | Part Name: DM-028 | |
| DRAWN | NAME | DATE | Drawn From: |
| CHECKED | Y. YEL | 14.10.2024 | Material: |
| DIMENSIONAL TOLERANCES UNLESS OTHERWISE SPECIFIED: | | | SCALE 1:1 UNIT : mm |
| [DIN7148] | ±0.1 | ±0.1 | ±0.2 ±0.3 ±0.5 |
| | 3-6mm | 6-30mm | 30-120mm 120-400mm |
| | | | Dimension(mm) |
| | | | m(medium) |
| | | | A1 |
| | | | SHEET 1 OF 2 |

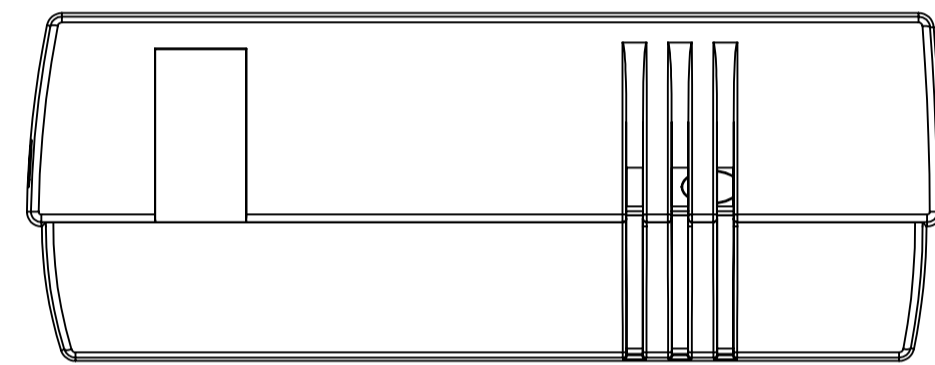
DM-028 IF MACHINED TOGETHER



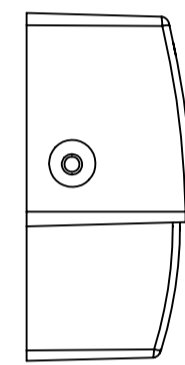
SURFACE-13



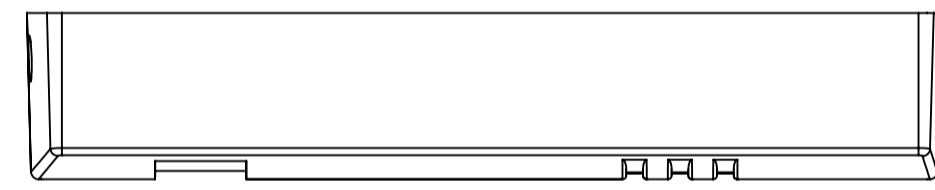
SURFACE-15



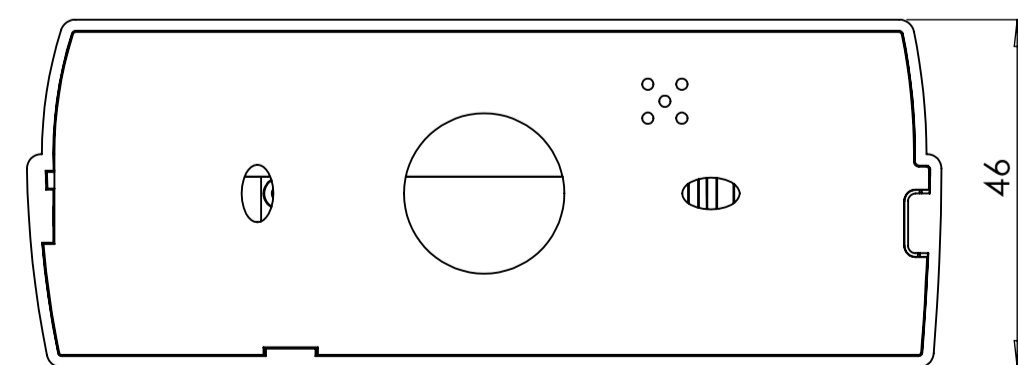
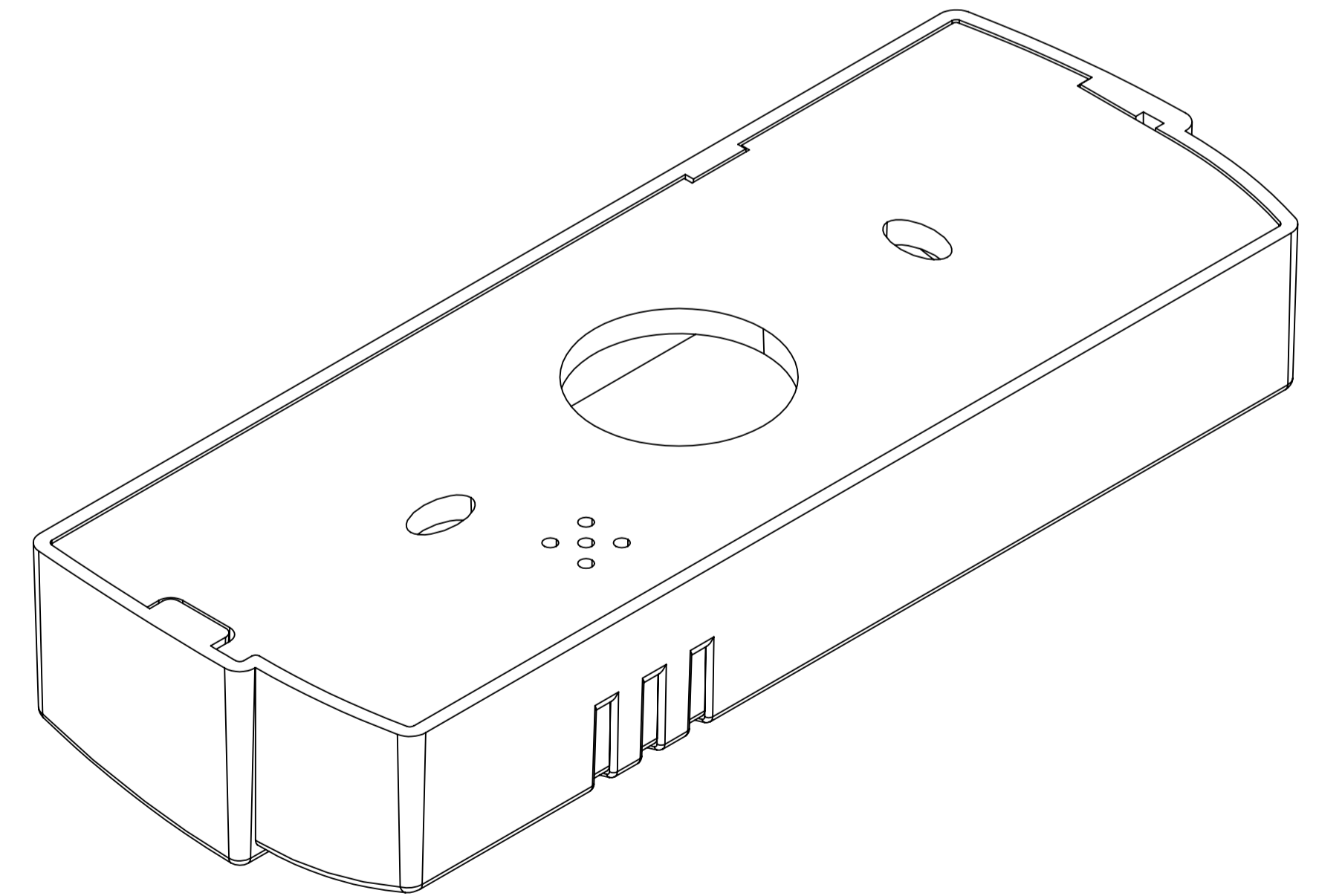
SURFACE-17



SURFACE-16



SURFACE-14



SURFACE-18

| REV. NO. | DATE | REVISED BY | DESCRIPTION OF CHANGE |
|-------------------------------------------------------------|-----------|-------------------|-----------------------|
| www.altinkaya.com | | | |
| Customer Name: | | Customer Ref.: | |
| Altinkaya Ref.: | | Part Name: DM-028 | |
| DRAWN | NAME | DATE | Material |
| CHECKED | Y. YESLOZ | 14.10.2024 | Weight: |
| DIMENSIONAL TOLERANCES UNLESS OTHERWISE SPECIFIED: | | | SCALE 1:1 UNIT : mm |
| [R407148] | ±0.1 | ±0.1 | ±0.2 ±0.3 ±0.5 |