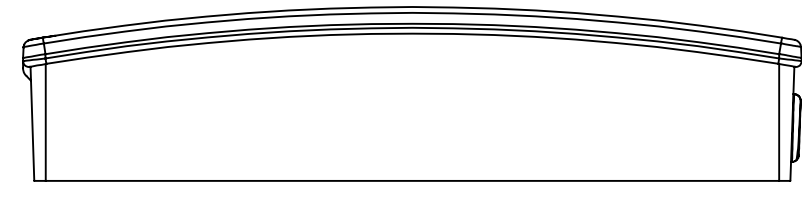
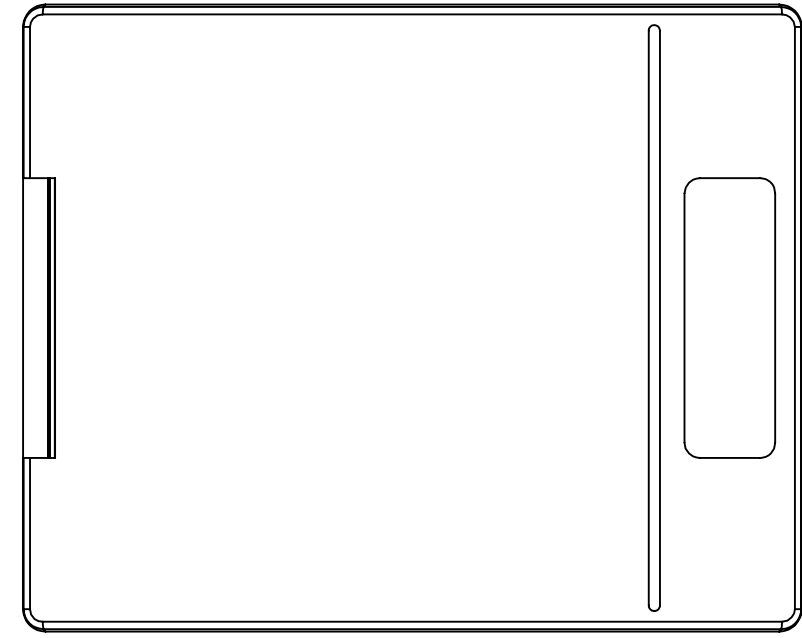


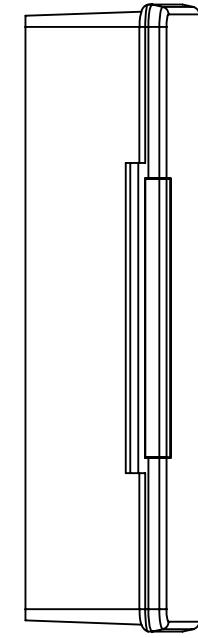
# BASE: 6 SURFACE



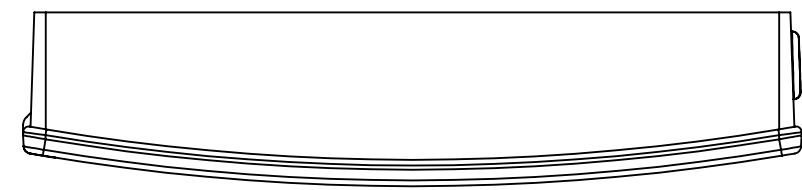
SURFACE-1



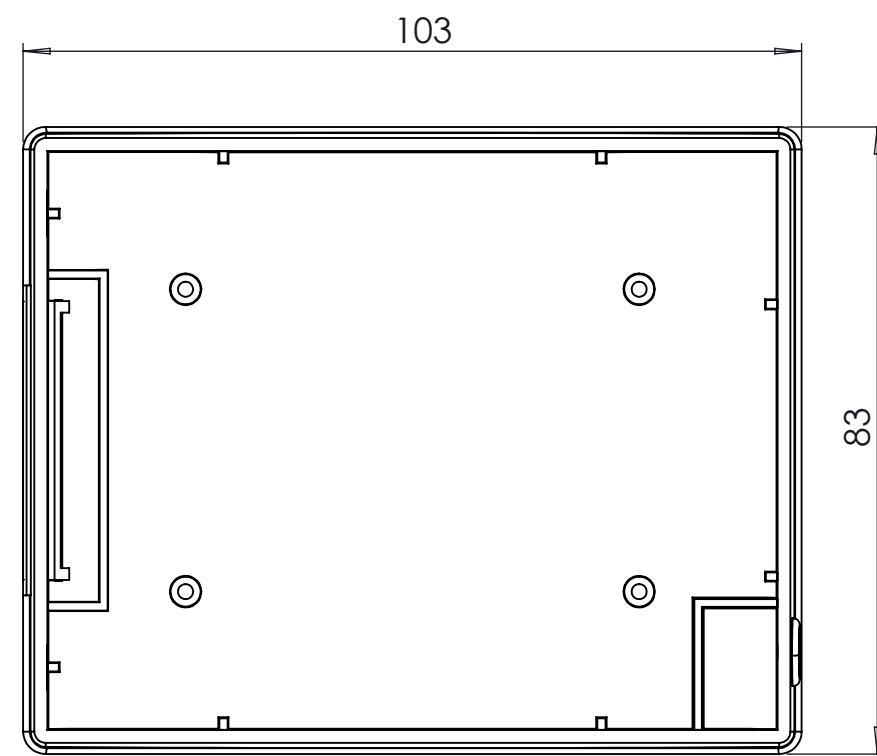
SURFACE-5



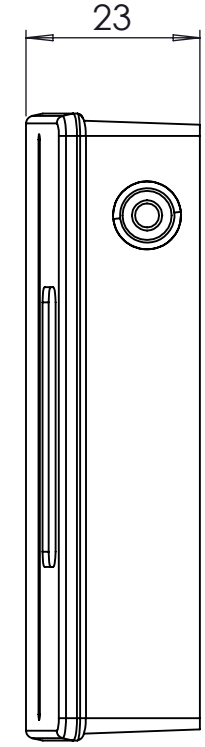
SURFACE-4



SURFACE-2

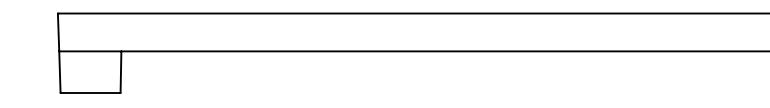


SURFACE-6 (INSIDE)

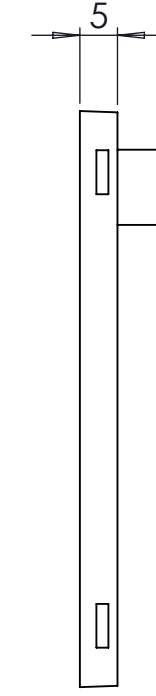


SURFACE-3

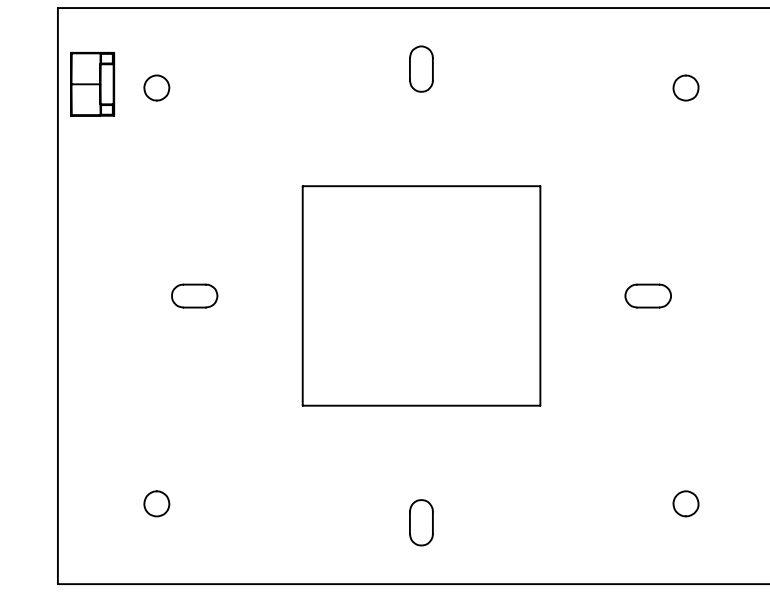
# COVER: 6 SURFACE



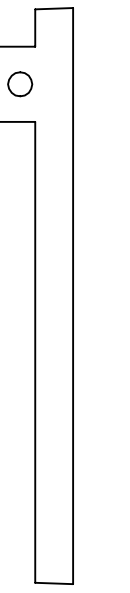
SURFACE-7



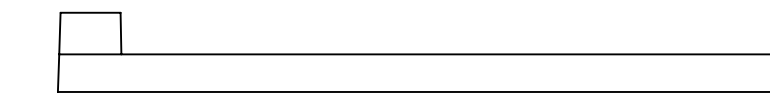
SURFACE-9



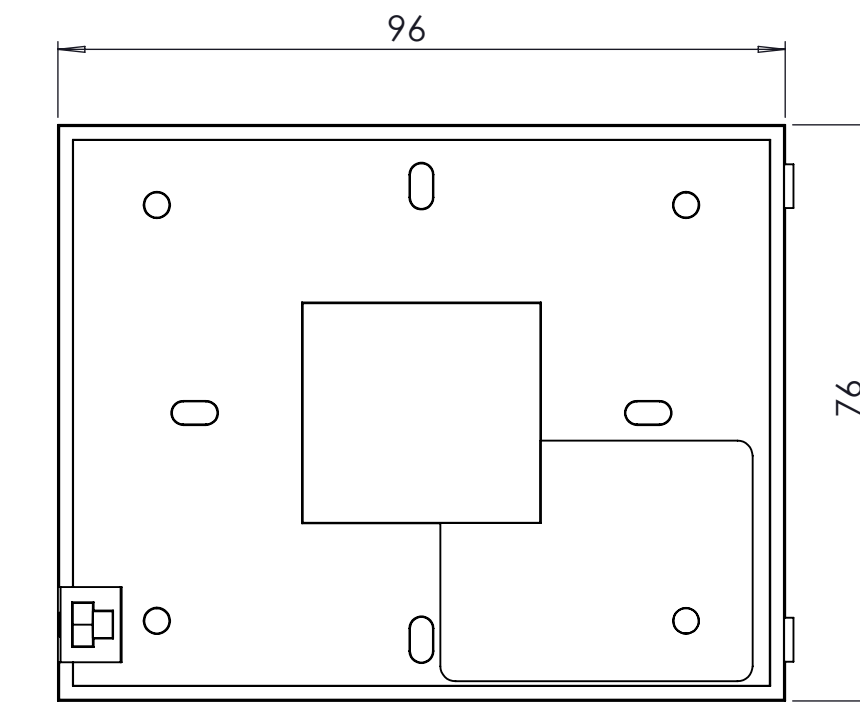
SURFACE-11



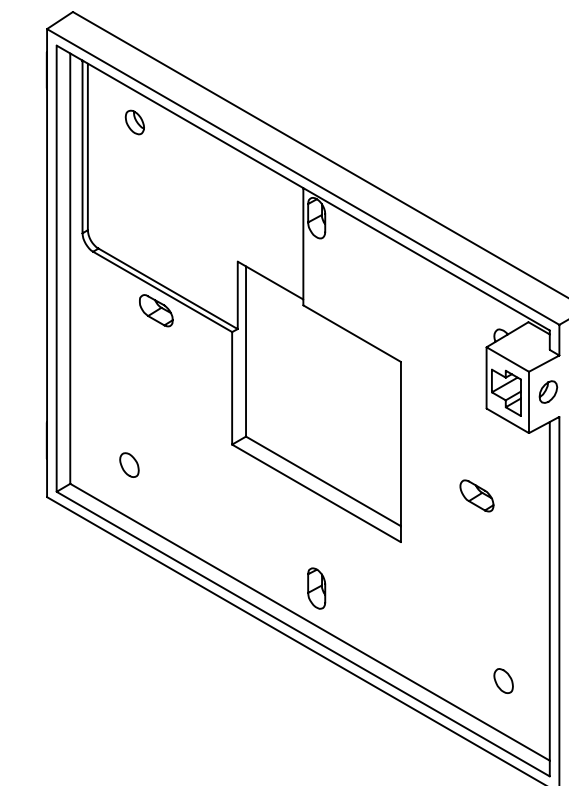
SURFACE-10



SURFACE-8

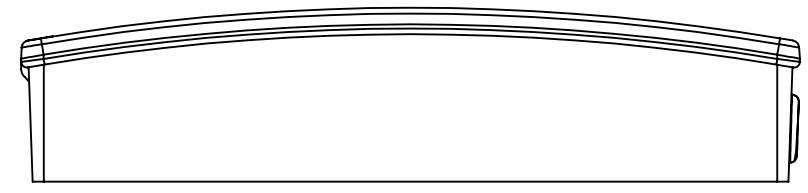


SURFACE-12 (INSIDE)

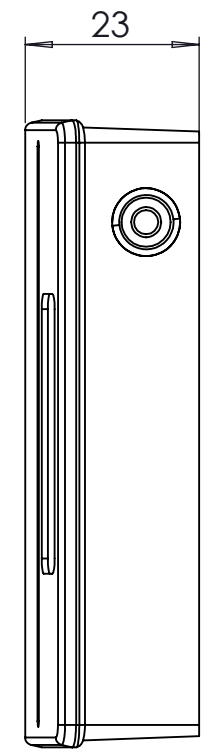


REV. NO.	DATE	REVISED BY	DESCRIPTION OF CHANGE
<b>ALTINKAYA</b> Electronic Enclosures & Components <a href="http://www.altinkaya.com">www.altinkaya.com</a>			
Customer Name:		Customer Ref.:	
Altinkaya Ref.:		Part Name: DM-027	
DRAWN	NAME	DATE	Drawn From:
CHECKED	Y. YEL	14.10.2024	Material:
DIMENSIONAL TOLERANCES UNLESS OTHERWISE SPECIFIED:		Weight:	SCALE 1:1 UNIT : mm
[R47148]	±0.1	±0.1	±0.2
	3-6mm	6-30mm	30-120mm
			120-400mm
			Dimension(mm)
			m(medium)
			±0.5

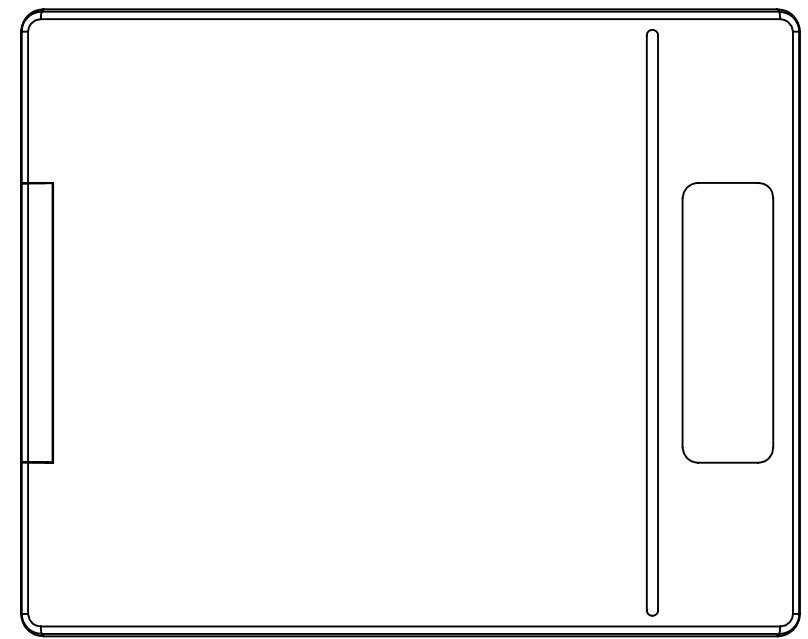
# DM-027 IF MACHINED TOGETHER



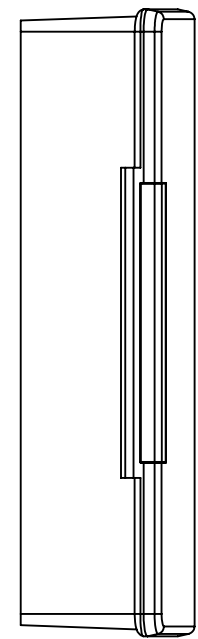
SURFACE-13



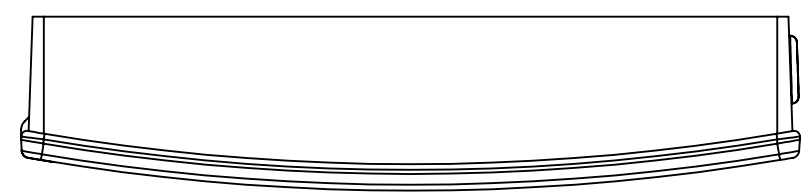
SURFACE-15



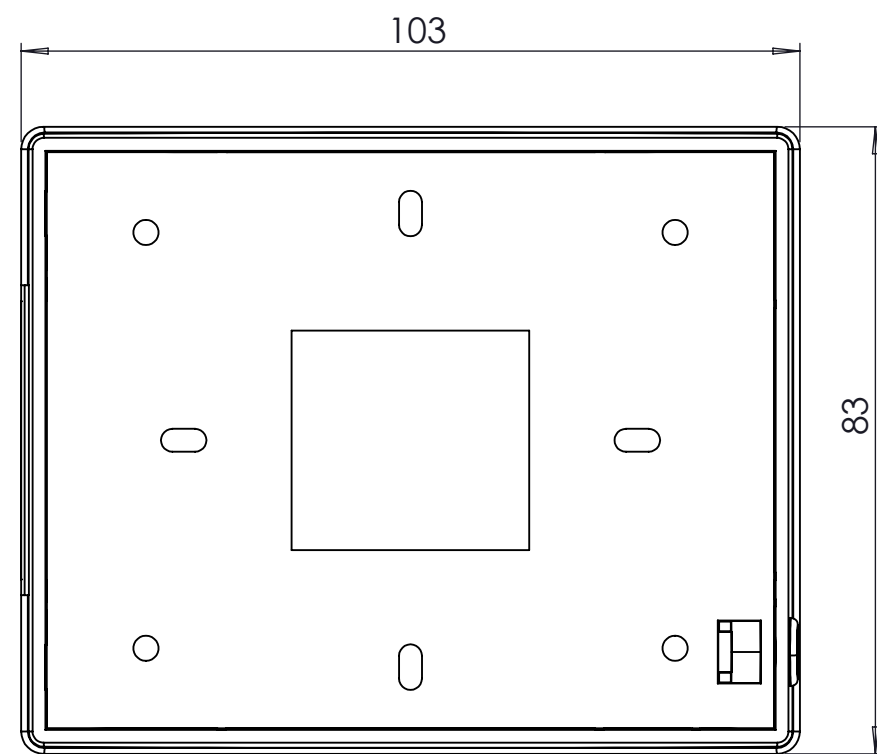
SURFACE-17



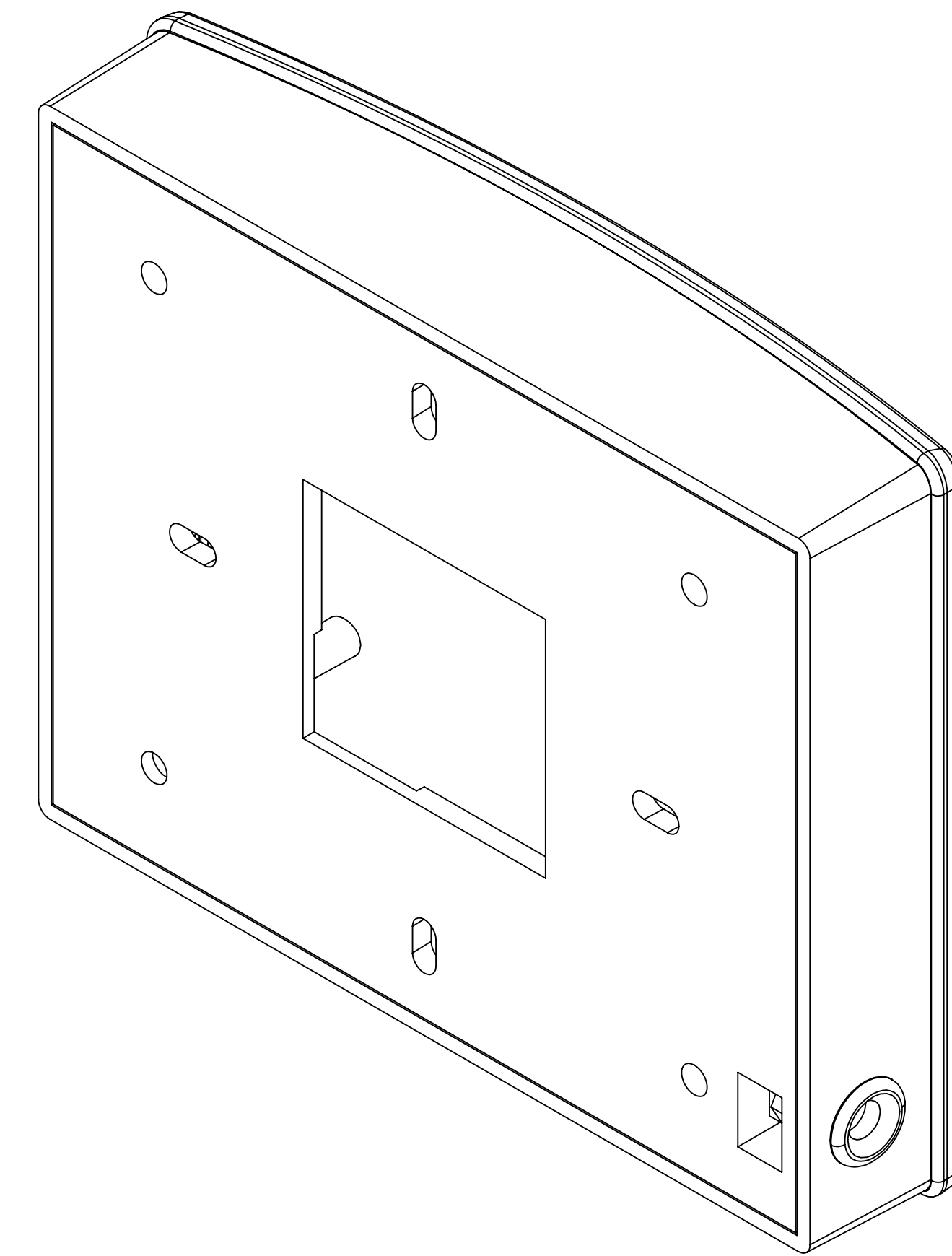
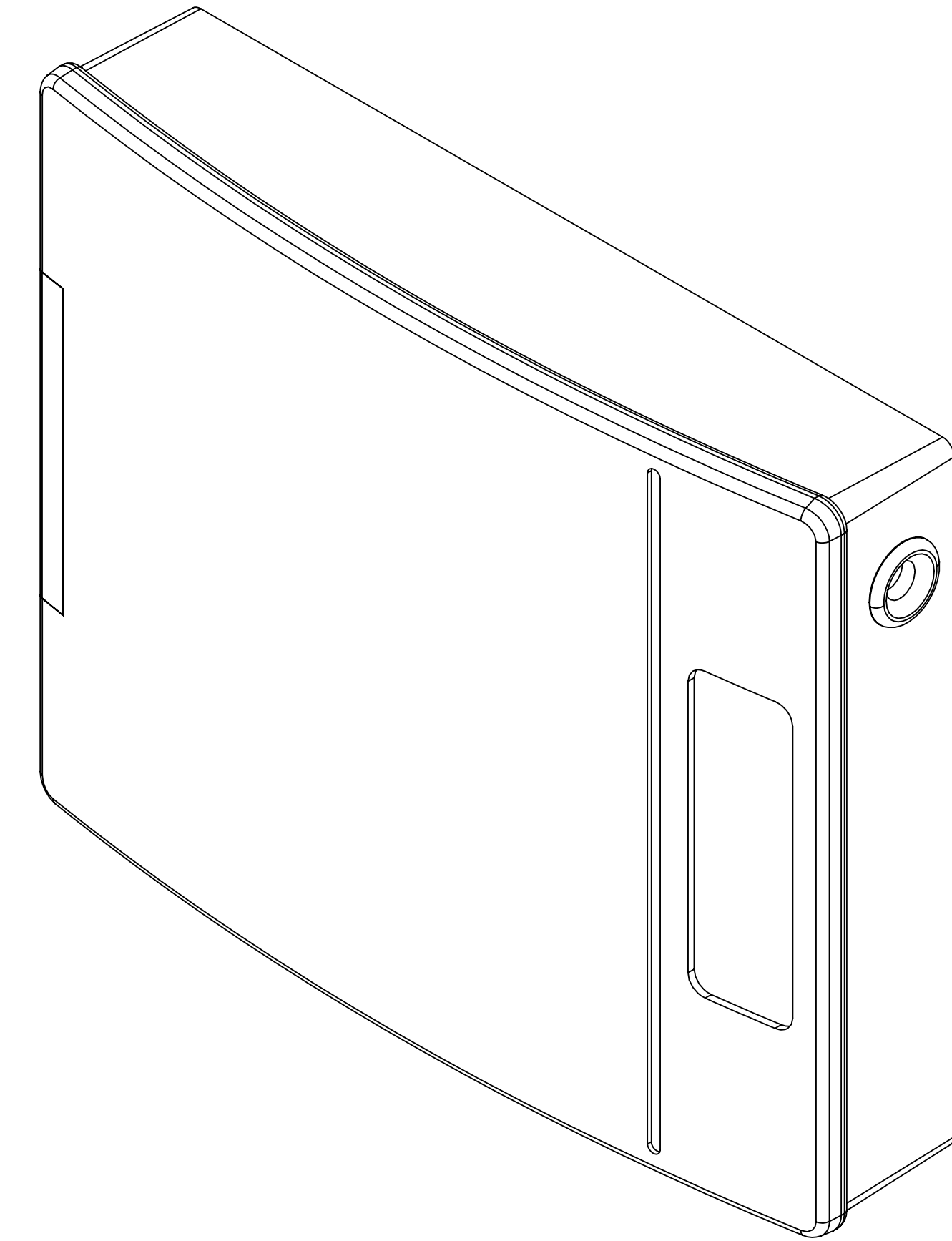
SURFACE-16



SURFACE-14



SURFACE-18



REV. NO.	DATE	REVISED BY	DESCRIPTION OF CHANGE
<b>ALTINKAYA</b> Electronic Enclosures & Components			<a href="http://www.altinkaya.com">www.altinkaya.com</a>
Customer Name:		Customer Ref.:	
Altinkaya Ref.:		Part Name: DM-027	
DRAWN	NAME	DATE	Drawn From:
CHECKED	Y. YESLOZ	14.10.2024	Material:
DIMENSIONAL TOLERANCES UNLESS OTHERWISE SPECIFIED:		Weight:	SCALE 1:1 UNIT : mm
(mm)	±0.1	±0.1	±0.2
		±0.3	±0.5
			Dimension(mm)
			m(medium)