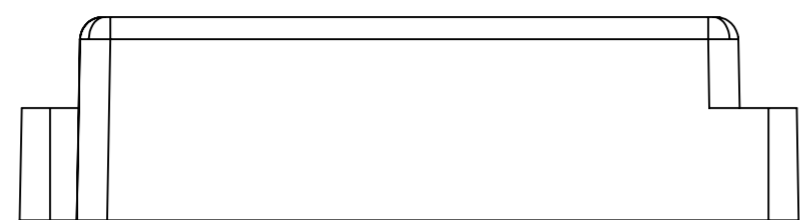
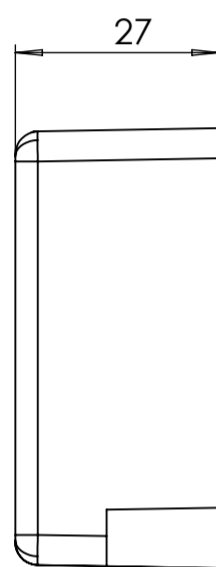


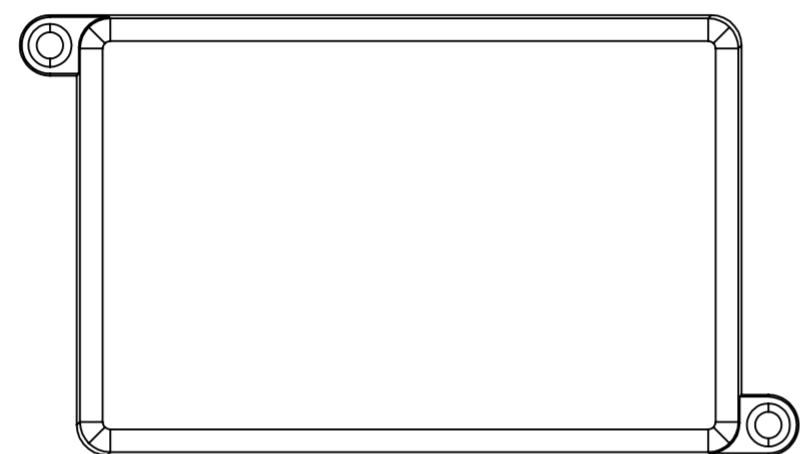
BASE: 6 SURFACE



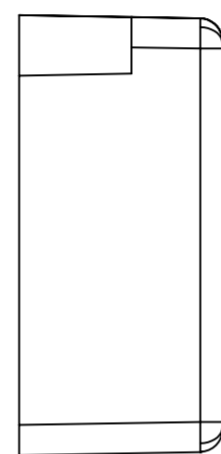
SURFACE-1



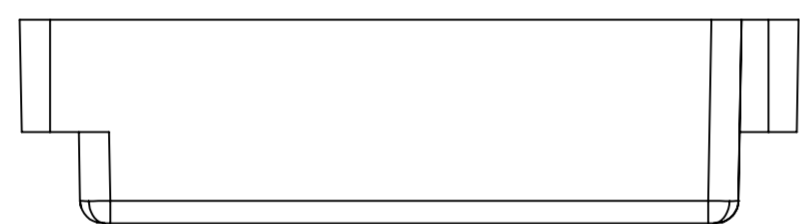
SURFACE-3



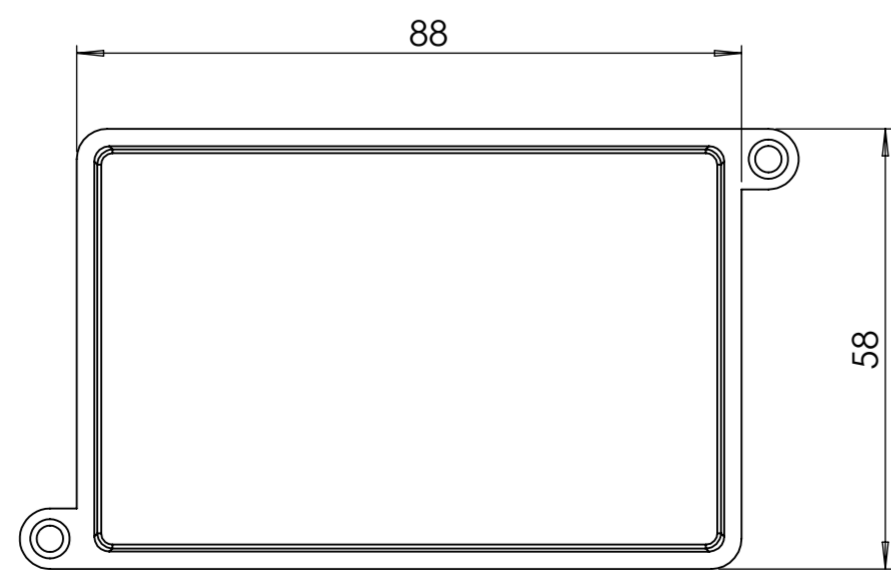
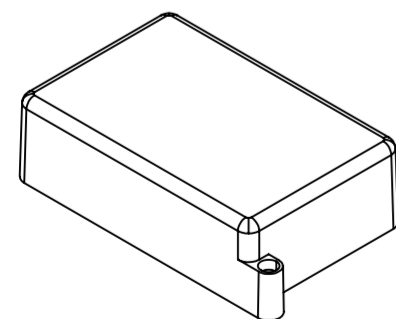
SURFACE-5



SURFACE-4

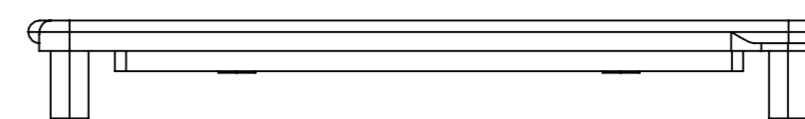


SURFACE-2

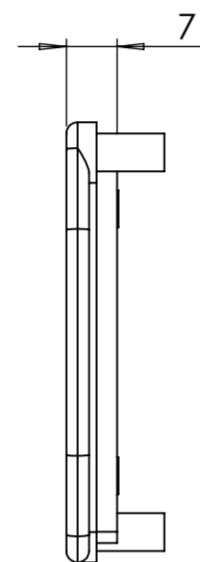


SURFACE-6 (INSIDE)

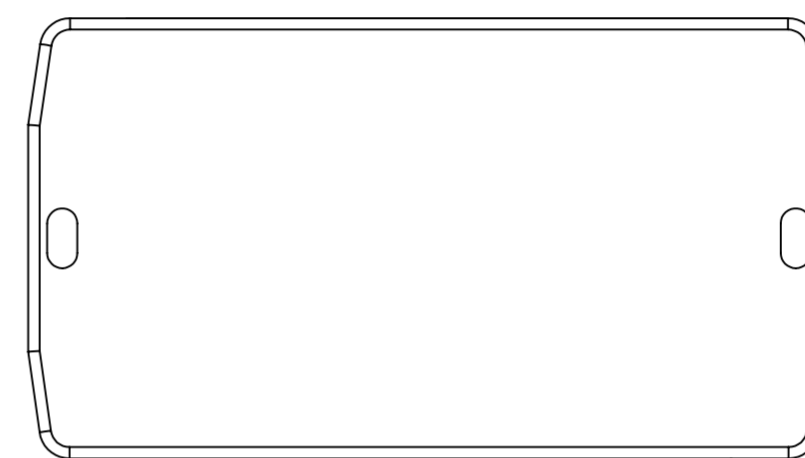
COVER: 6 SURFACE



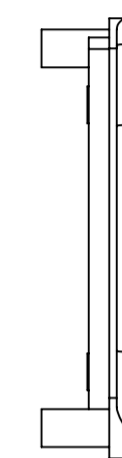
SURFACE-7



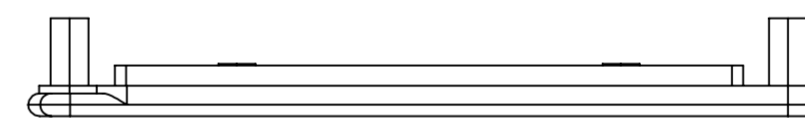
SURFACE-9



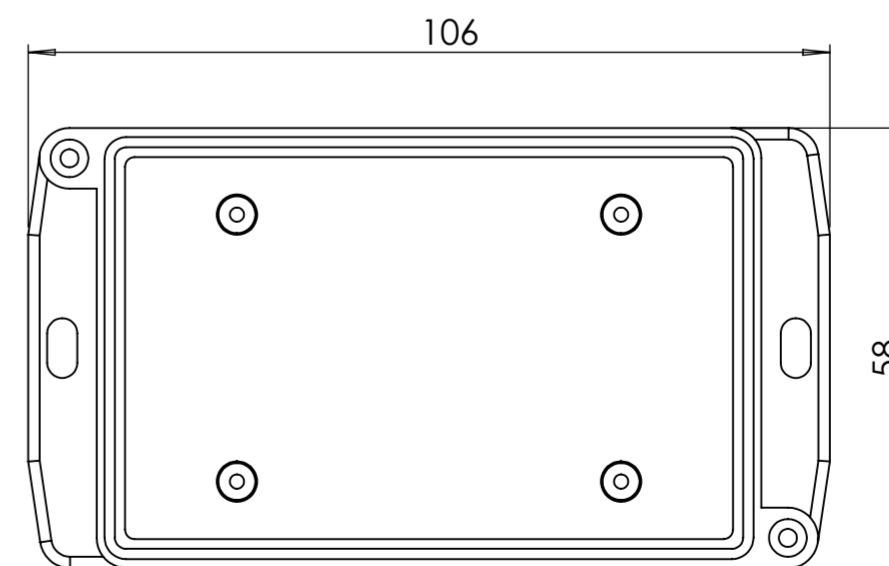
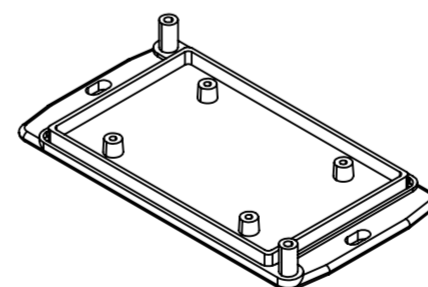
SURFACE-11



SURFACE-10



SURFACE-8



SURFACE-12 (INSIDE)

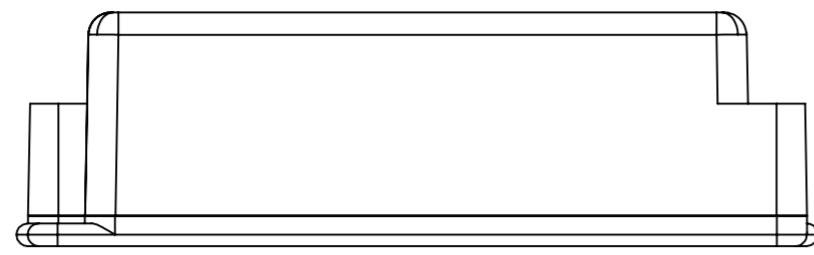
REV. NO	DATE	REVISED BY	DESCRIPTION OF CHANGE
ALTINKAYA Electronic Enclosures & Components			
Customer Name:		Customer Ref.:	
Allinkaya Ref.:		Part Name: DM-020	
DRAWN	NAME	DATE	Drawn From:
S.YESIL OZ		18.09.2024	Material:
CHECKED	Y.YEL	18.09.2024	Weight:
DIMENSIONAL TOLERANCES UNLESS OTHERWISE SPECIFIED (DIN 7148)			
	0,5-3mm	3-6mm	6-30mm
	±0,1	±0,1	±0,2
		±0,3	±0,5
			mm (medium)

SCALE: 1:1

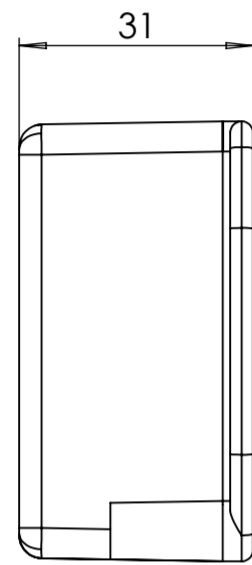
SHEET 1 OF 2

A2

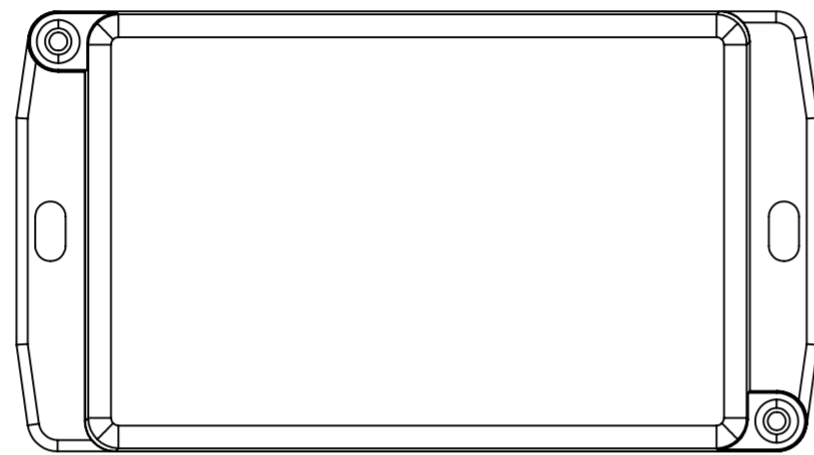
DM-020 MACHINED TOGETHER



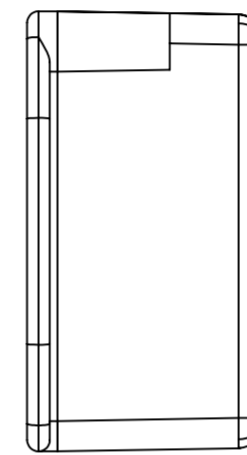
SURFACE-13



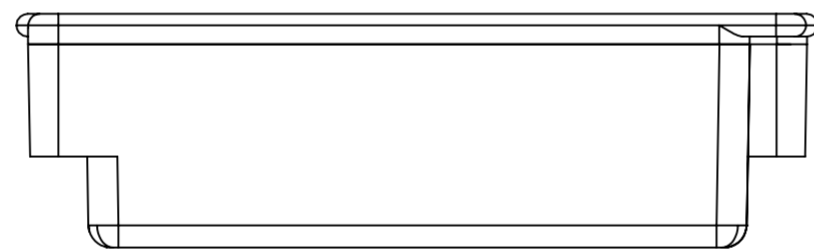
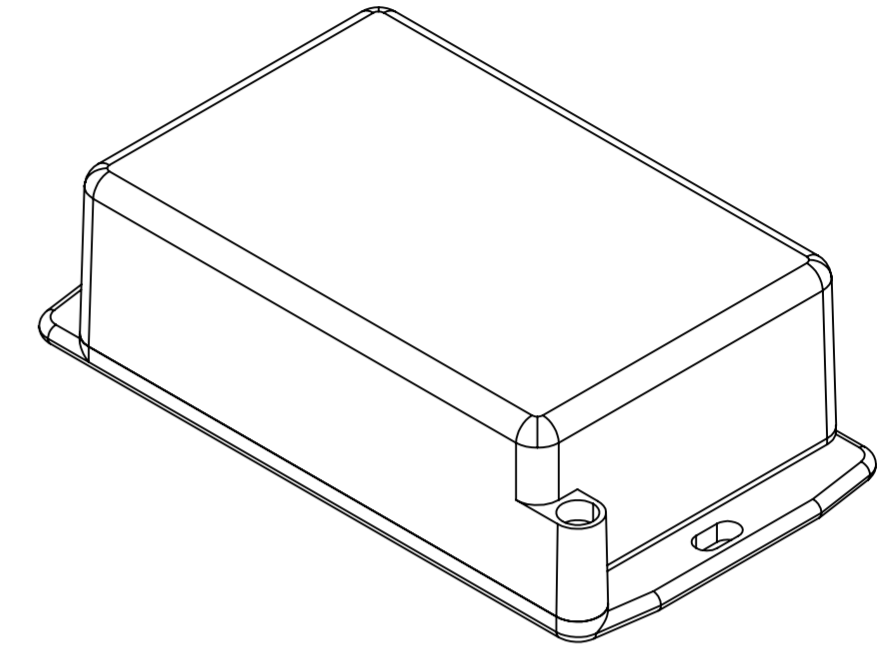
SURFACE-15



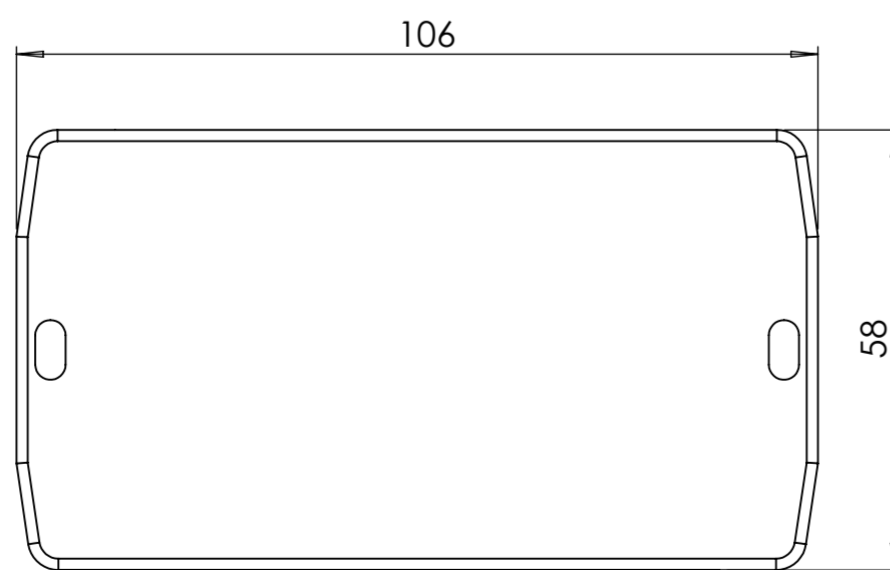
SURFACE-17



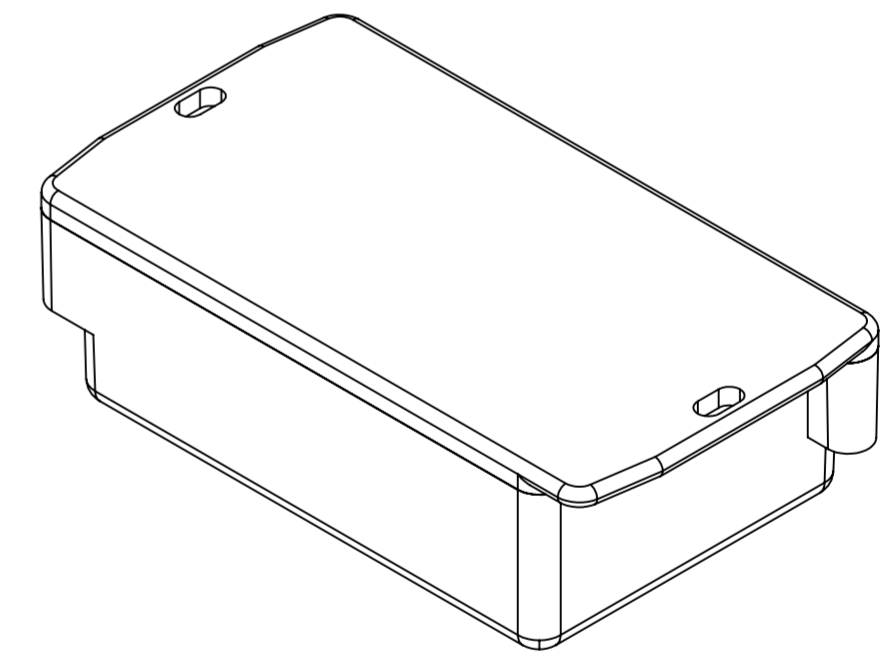
SURFACE-16



SURFACE-14



SURFACE-18



REV. NO	DATE	REVISED BY	DESCRIPTION OF CHANGE
ALTINKAYA Electronic Enclosures & Components			www.altinkaya.com
Customer Name:		Customer Ref.:	
Altinkaya Ref.:		Part Name: DM-020	
DRAWN	NAME	DATE	Drawn From:
CHECKED	Y.YEL	18.09.2024	Material:
DIMENSIONAL TOLERANCES UNLESS OTHERWISE SPECIFIED (DIN 7148)			Weight:
	0,5-3mm	3-6mm	6-30mm
	±0,1	±0,1	±0,2
			±0,3
			±0,5
			mm (medium)

SCALE: 1:1

SHEET 2 OF 2