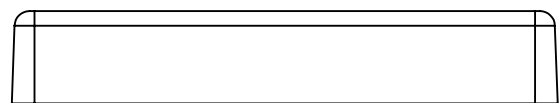
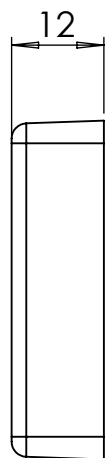


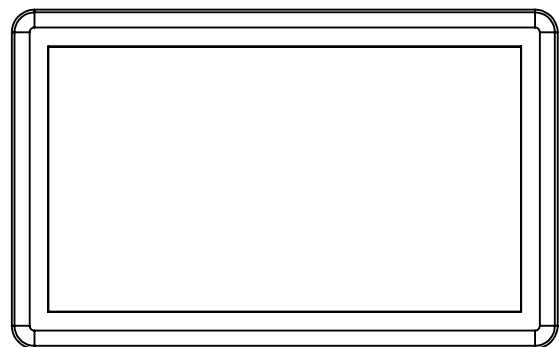
BASE: 6 SURFACE



SURFACE-1



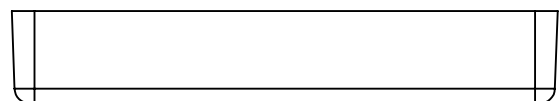
SURFACE-3



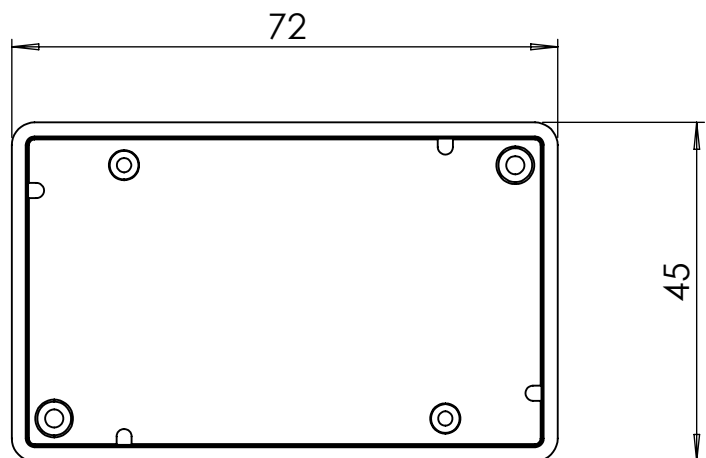
SURFACE-5



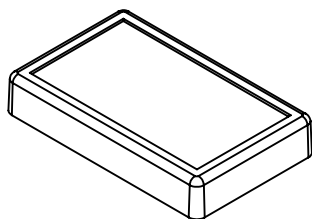
SURFACE-4



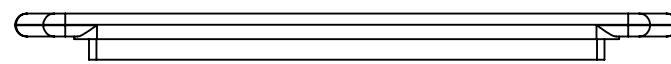
SURFACE-2



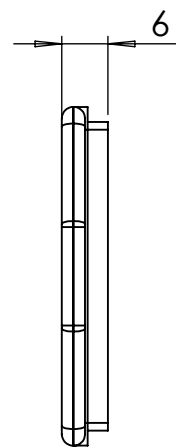
SURFACE-6 (INSIDE)



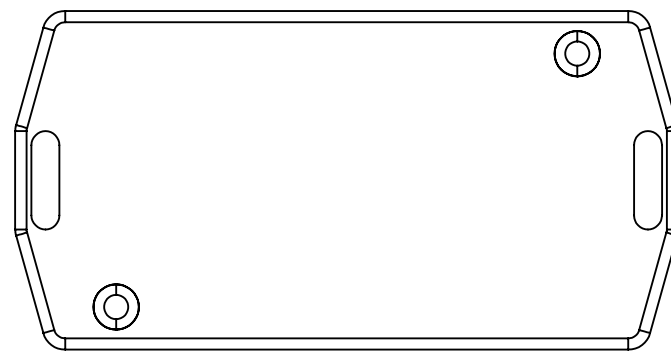
COVER: 6 SURFACE



SURFACE-7



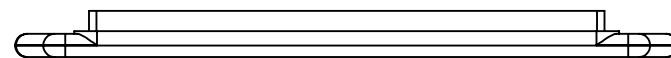
SURFACE-9



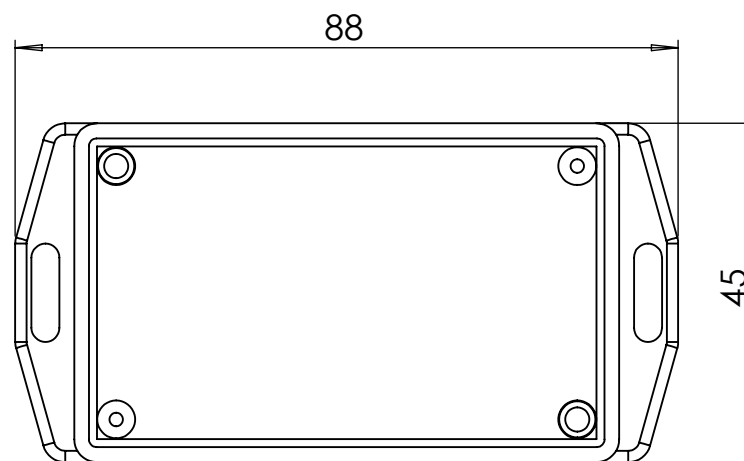
SURFACE-11



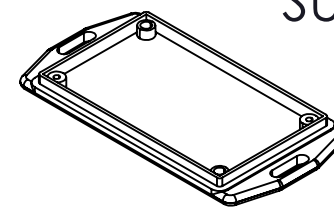
SURFACE-10



SURFACE-8



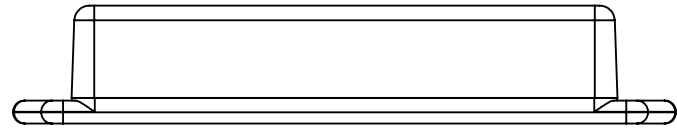
SURFACE-12 (INSIDE)



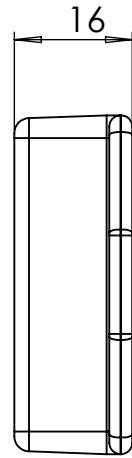
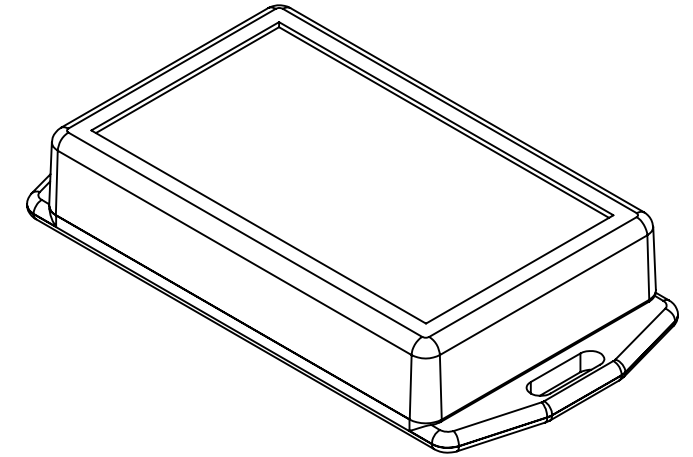
REV. NO	DATE	REVISED BY	DESCRIPTION OF CHANGE		
			ALTINKAYA Electronic Enclosures & Components		
			www.altinkaya.com		
Customer Name:		Customer Ref:			
Altinkaya Ref :		Part Name : DM-013			
DRAWN		NAME		DATE	
		S. YESILOZ		19.09.2024	
CHECKED		Y. YEL		19.09.2024	
		Weight:		g	
		Material :		UNIT : mm	
		0,5-3mm		3-6 mm	
		6-30mm		30-120mm	
		120-400mm		Dimension (mm)	
		±0,1		±0,1	
		±0,2		±0,3	
		±0,5		±0,5	
		m (medium)		m (medium)	
		SCALE:1:1		SHEET 1 OF 2	

A3

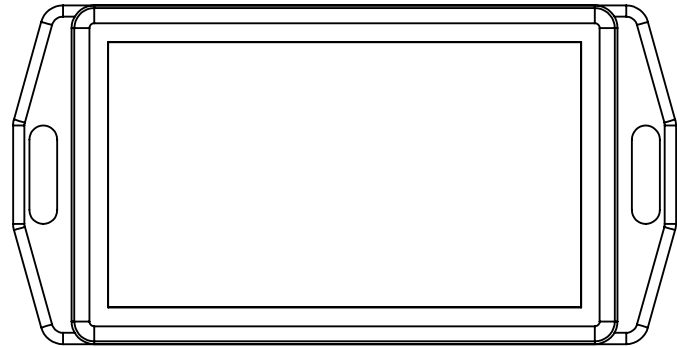
DM-013 IF MACHINED TOGETHER



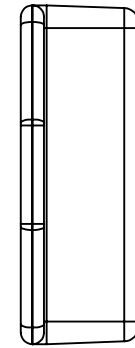
SURFACE-13



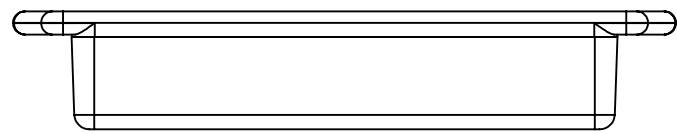
SURFACE-15



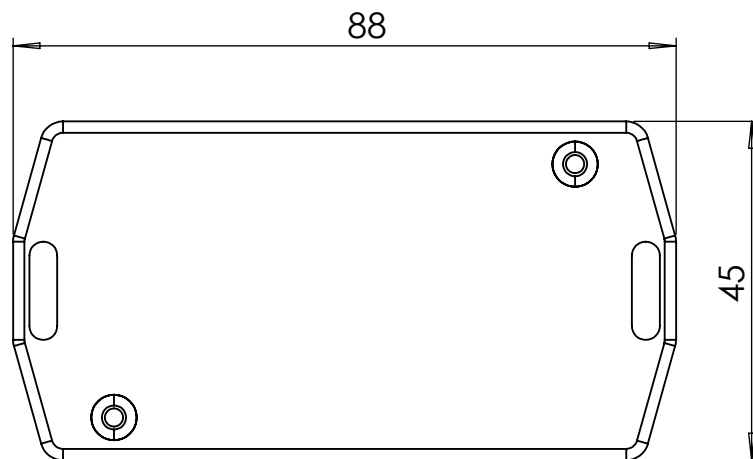
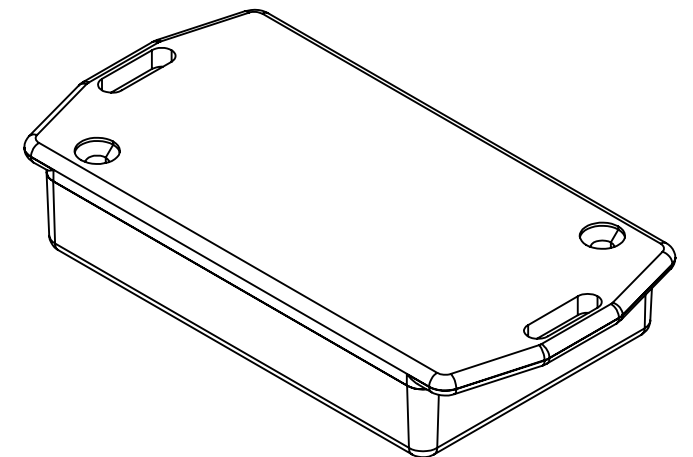
SURFACE-17



SURFACE-16



SURFACE-14



SURFACE-18

REV. NO	DATE	REVISED BY	DESCRIPTION OF CHANGE					
ALTINKAYA Electronic Enclosures & Components			www.altinkaya.com					
Customer Name:		Customer Ref:						
Altinkaya Ref :		Part Name : DM-013						
	NAME	DATE	Drawn From:					
DRAWN	S. YESILOZ	19.09.2024	Material :					
CHECKED	Y. YEL	19.09.2024	Weight:	g	UNIT : mm			
DIMENSIONAL TOLERANCES UNLESS OTHERWISE SPECIFIED (DIN7168)			0,5-3mm	3-6 mm	6-30mm	30-120mm	120-400mm	Dimension (mm)
			±0,1	±0,1	±0,2	±0,3	±0,5	m (medium)
SCALE:1:1 SHEET 2 OF 2								

A3