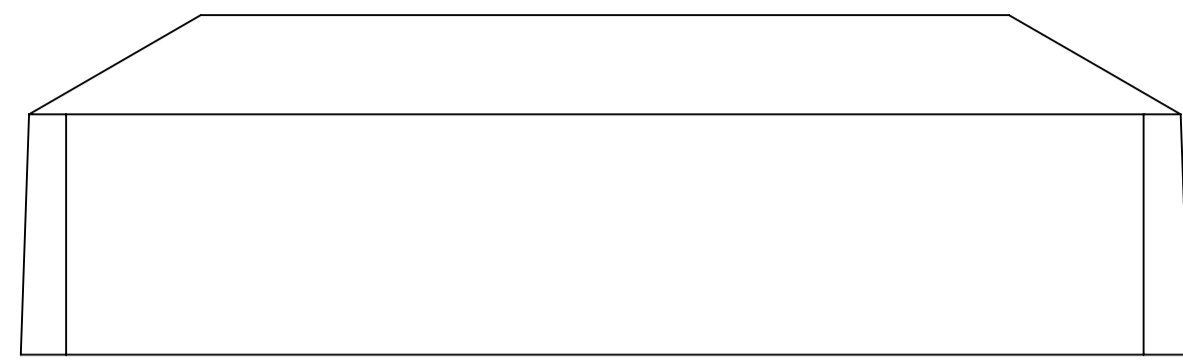
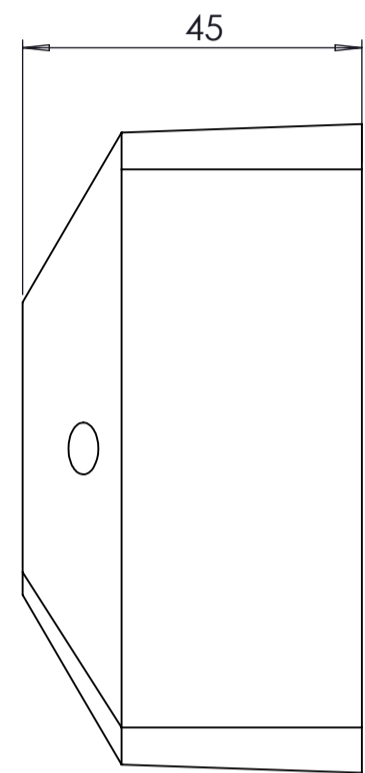


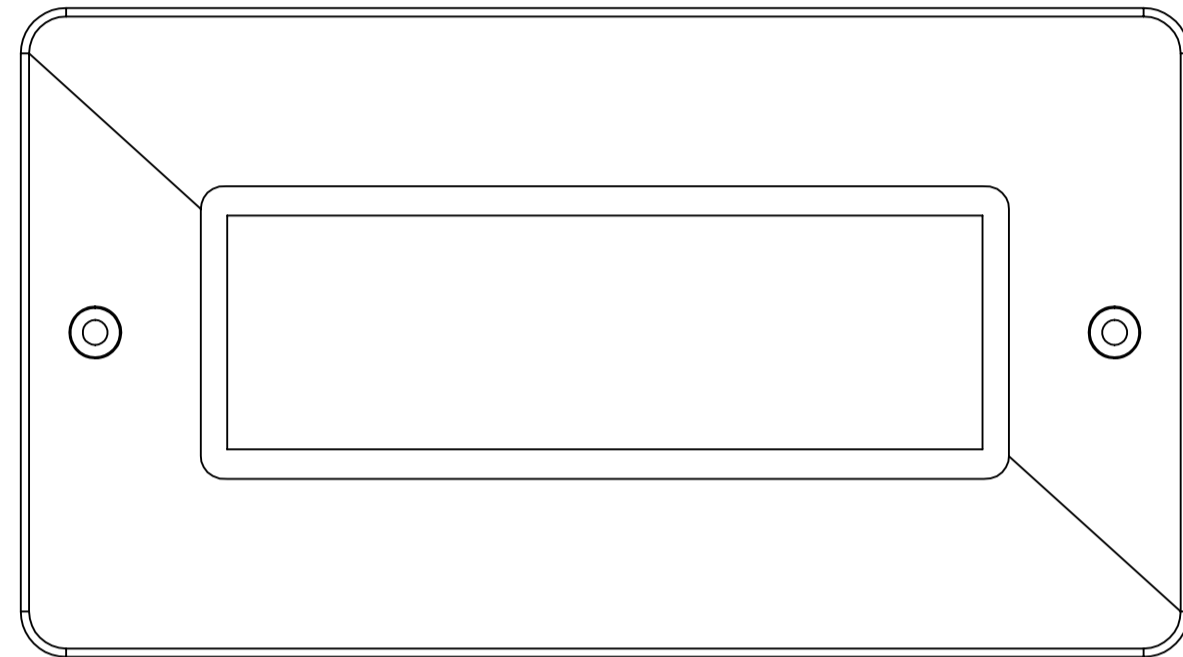
BASE: 6 SURFACE



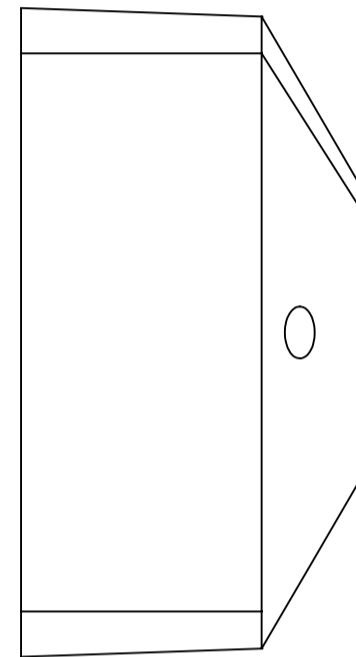
SURFACE-1



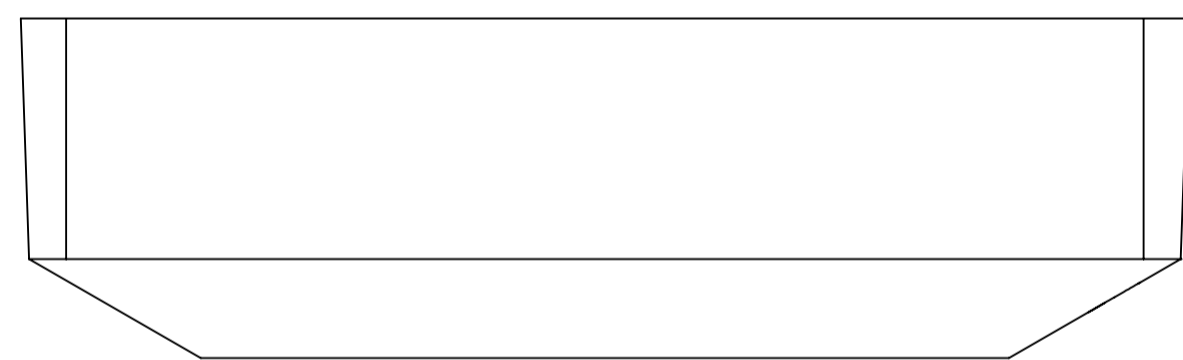
SURFACE-3



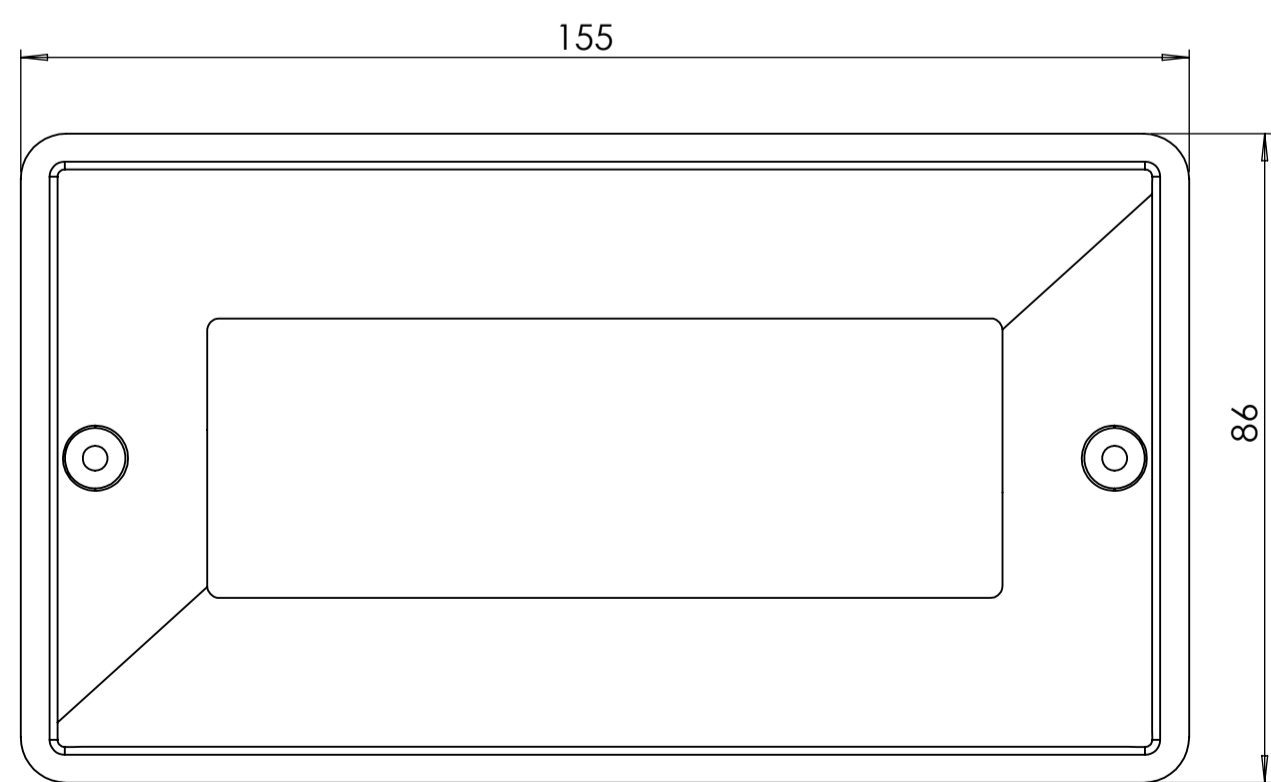
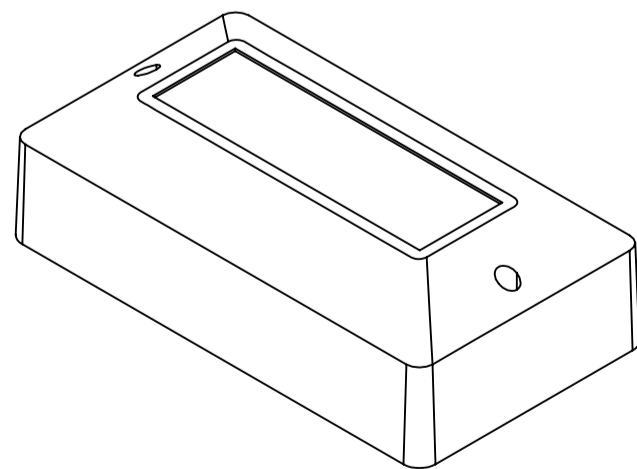
SURFACE-5



SURFACE-4

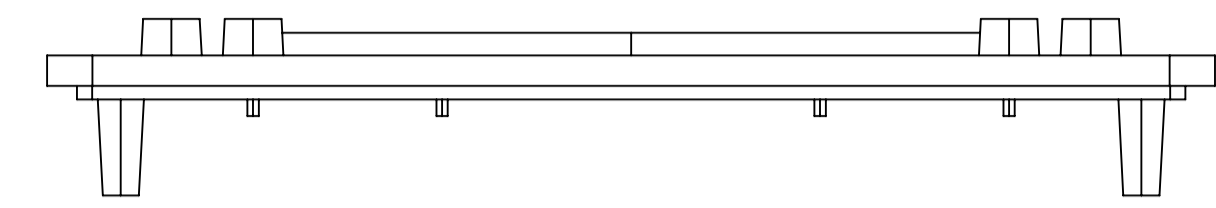


SURFACE-2

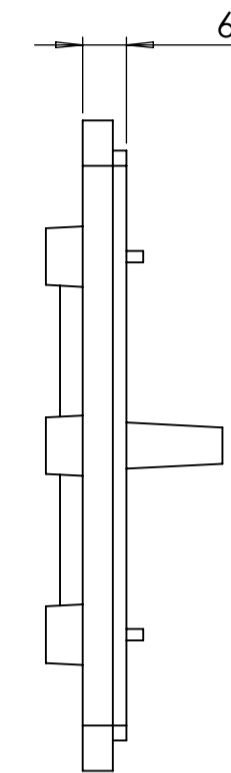


SURFACE-6 (INSIDE)

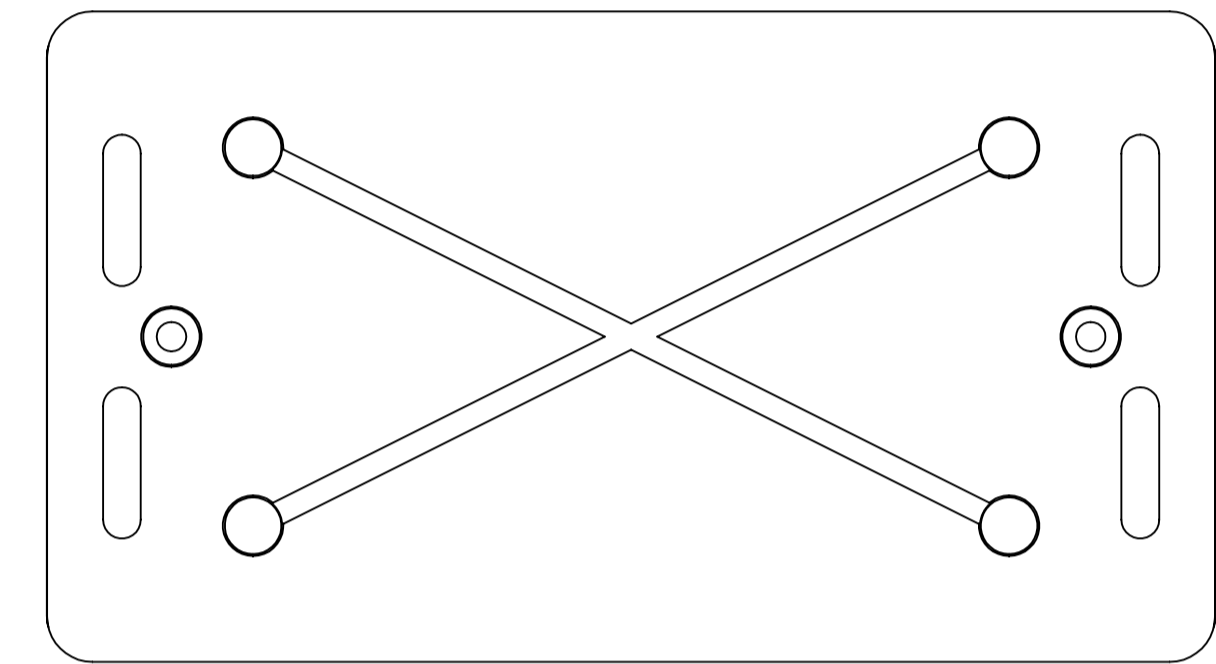
COVER: 6 SURFACE



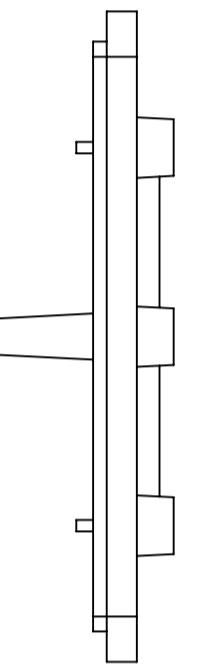
SURFACE-7



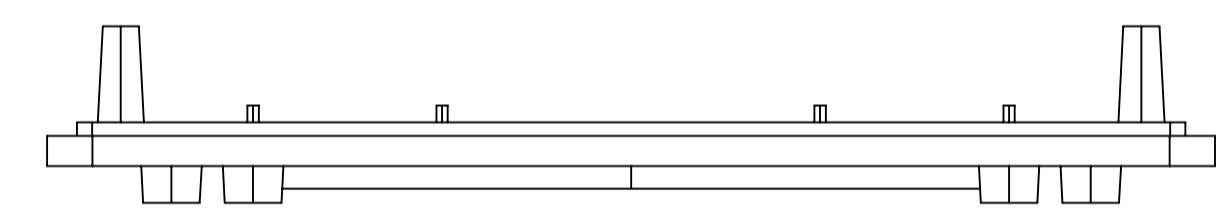
SURFACE-9



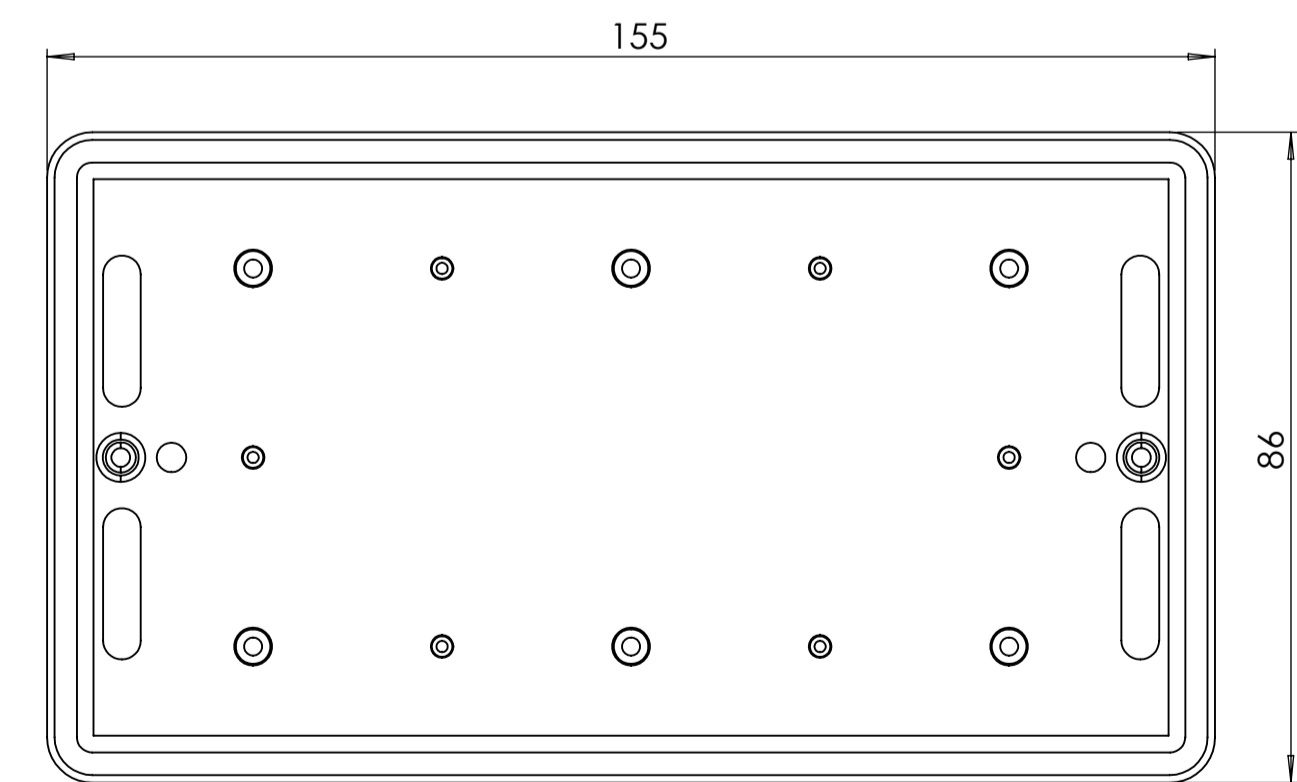
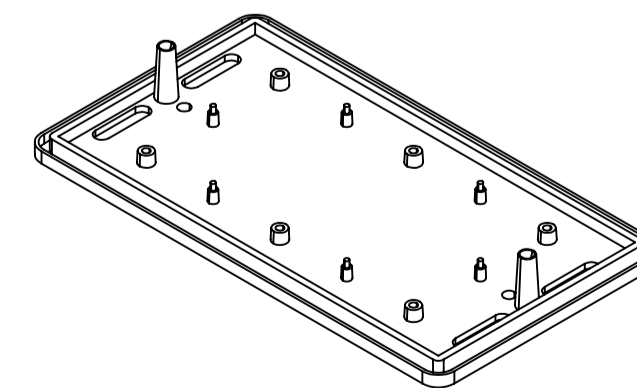
SURFACE-11




SURFACE-10



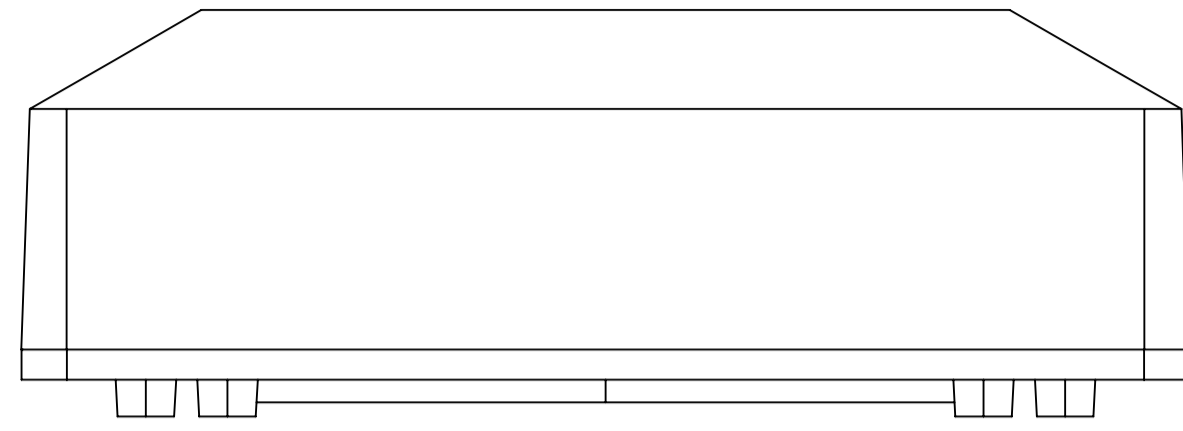
SURFACE-8



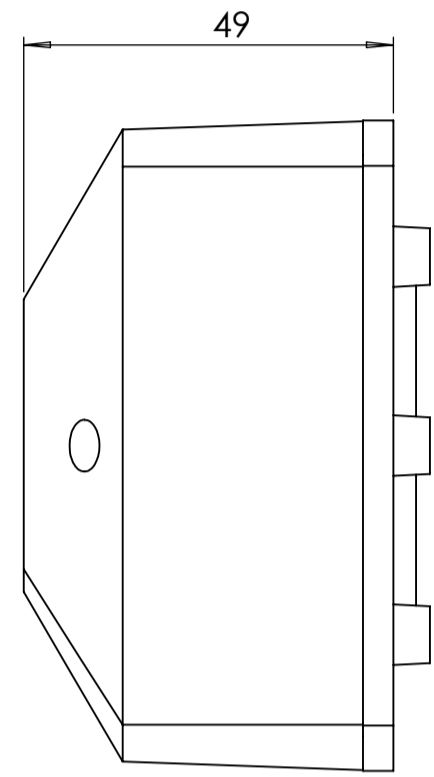
SURFACE-12 (INSIDE)

| REV. NO. | DATE | REVISED BY | DESCRIPTION OF CHANGE |
|--|------------|---------------------|-----------------------|
|  ALTINKAYA Electronic Enclosures & Components www.altinkaya.com | | | |
| Customer Name: | | Customer Ref.: | |
| Altinkaya Ref.: | | Part Name: DM-010-T | |
| NAME | DATE | Drawn From: | |
| Y. YESILOZ | 18.09.2024 | | |
| DRAWN | CHECKED | Y. YESILOZ | 18.09.2024 |
| DIMENSIONAL TOLERANCES UNLESS OTHERWISE SPECIFIED: | | Weight: | |
| ±0.1 | ±0.1 | ±0.2 | ±0.3 |
| ±0.5 | ±0.5 | ±0.5 | ±0.5 |
| SCALE: 1:1 | | | UNIT: mm |
| Dimension (mm) | | | A1 |
| m (medium) | | | SHEET 1 OF 2 |

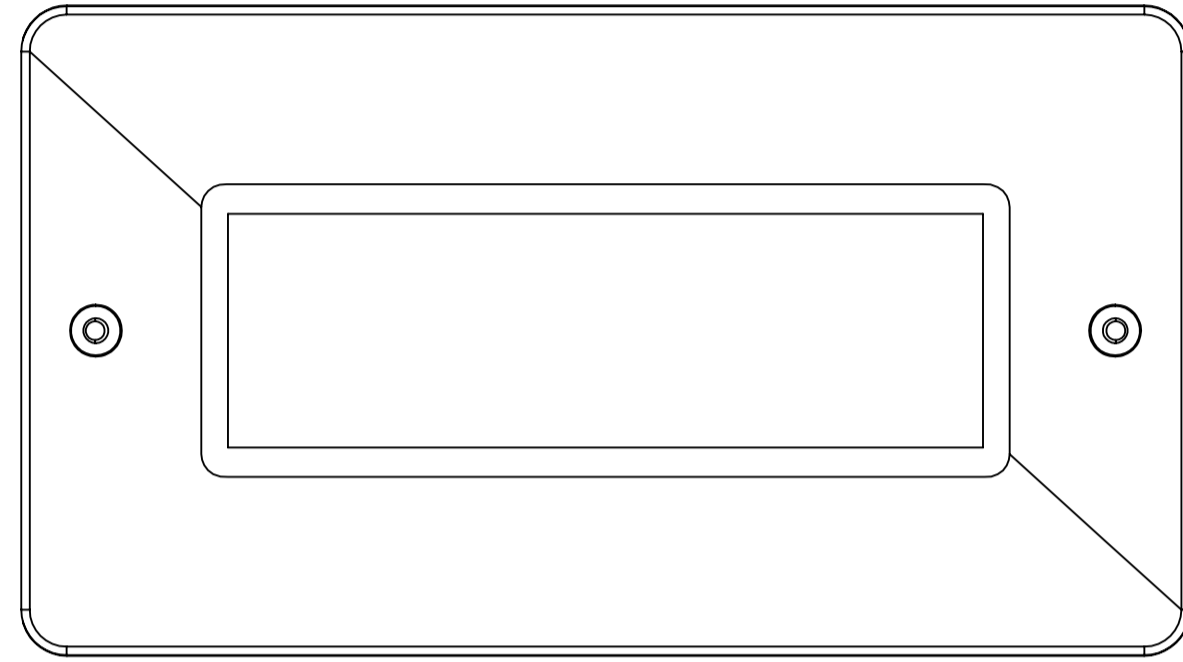
DM-010 MACHINED TOGETHER



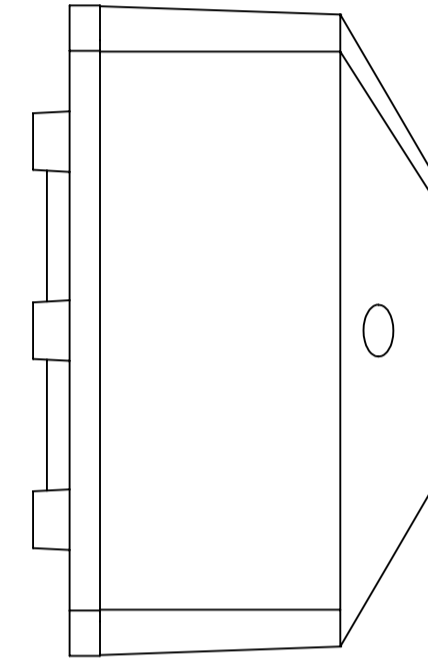
SURFACE-13



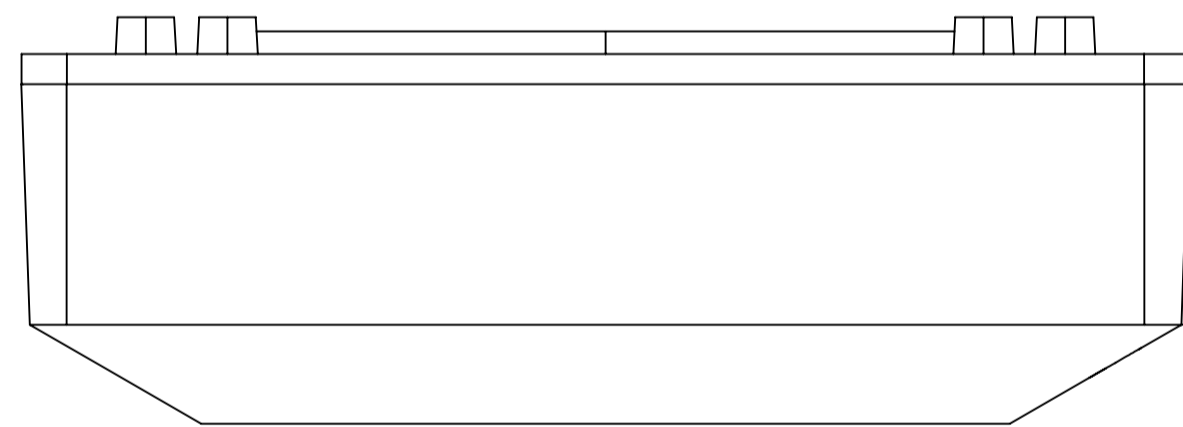
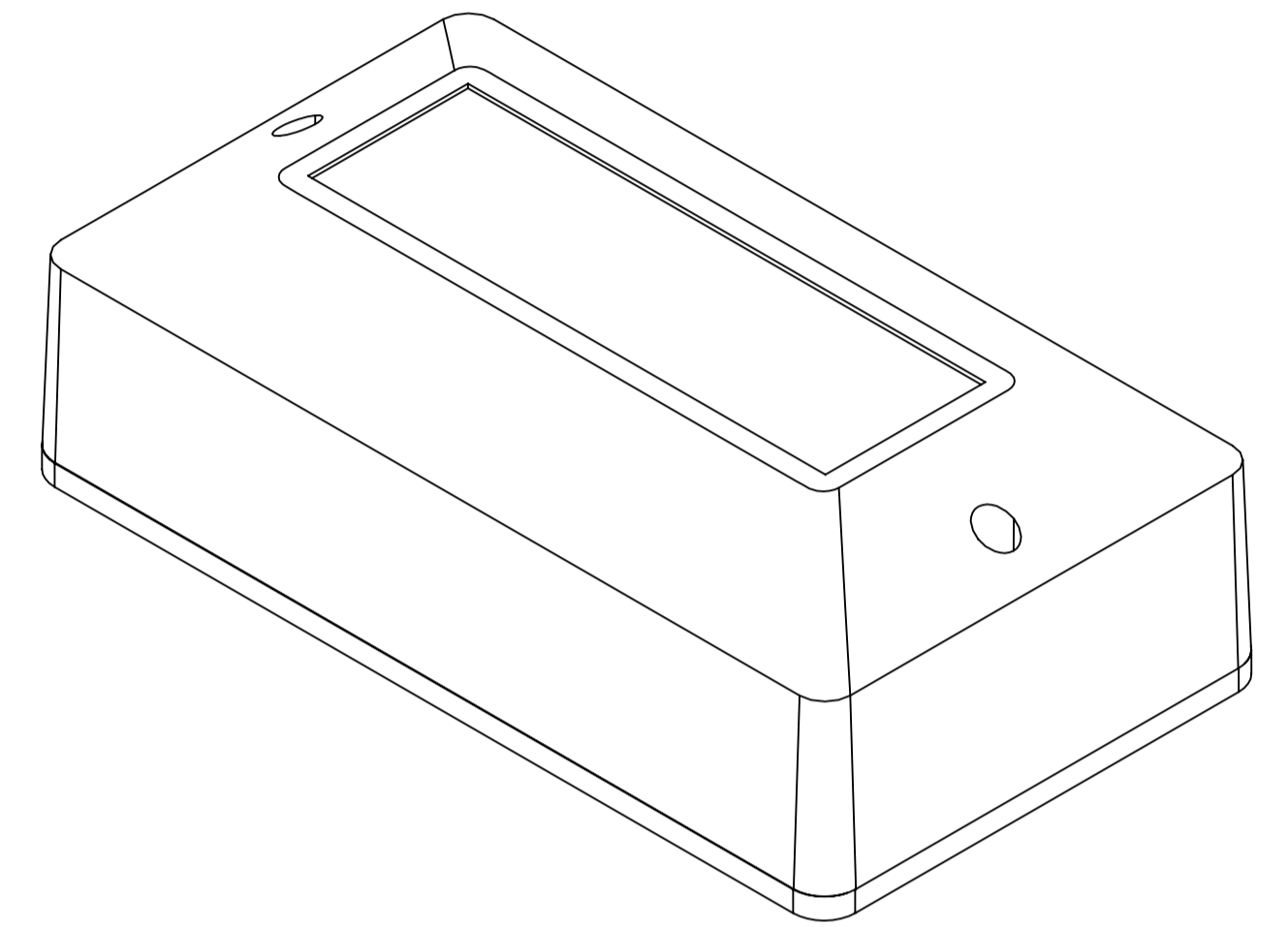
SURFACE-15



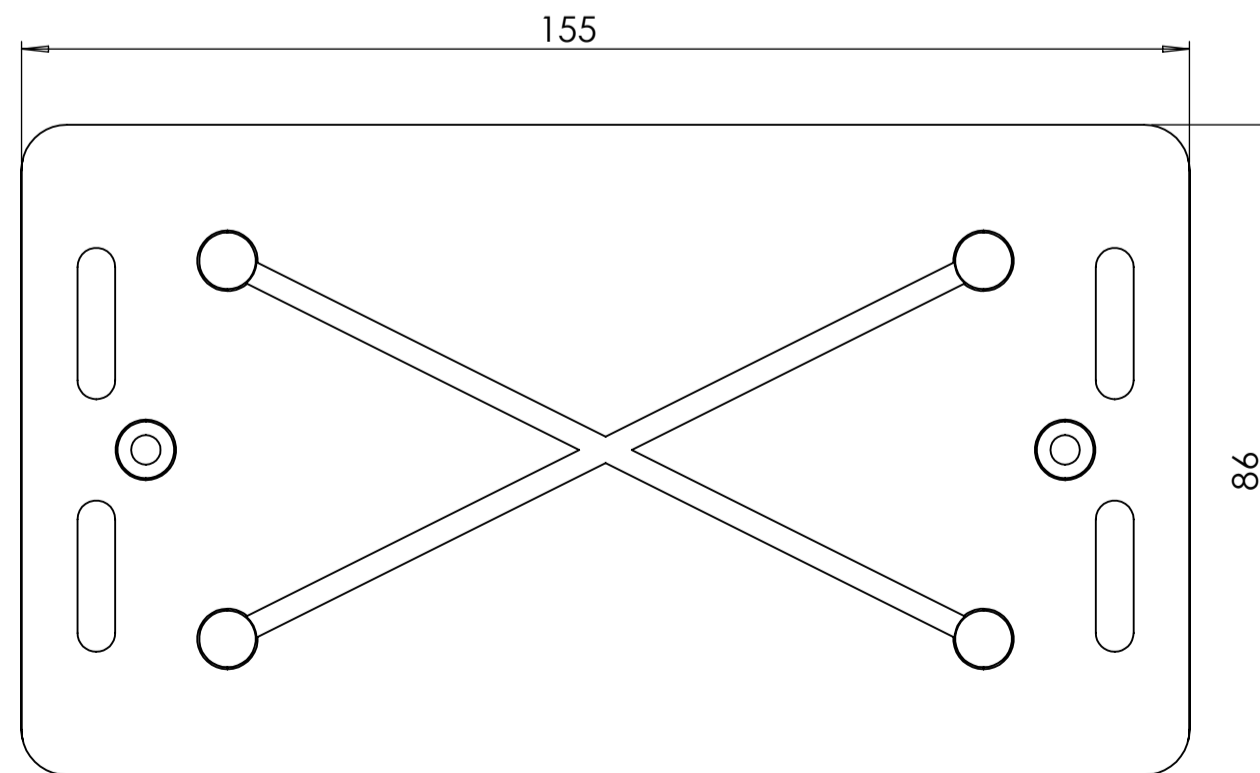
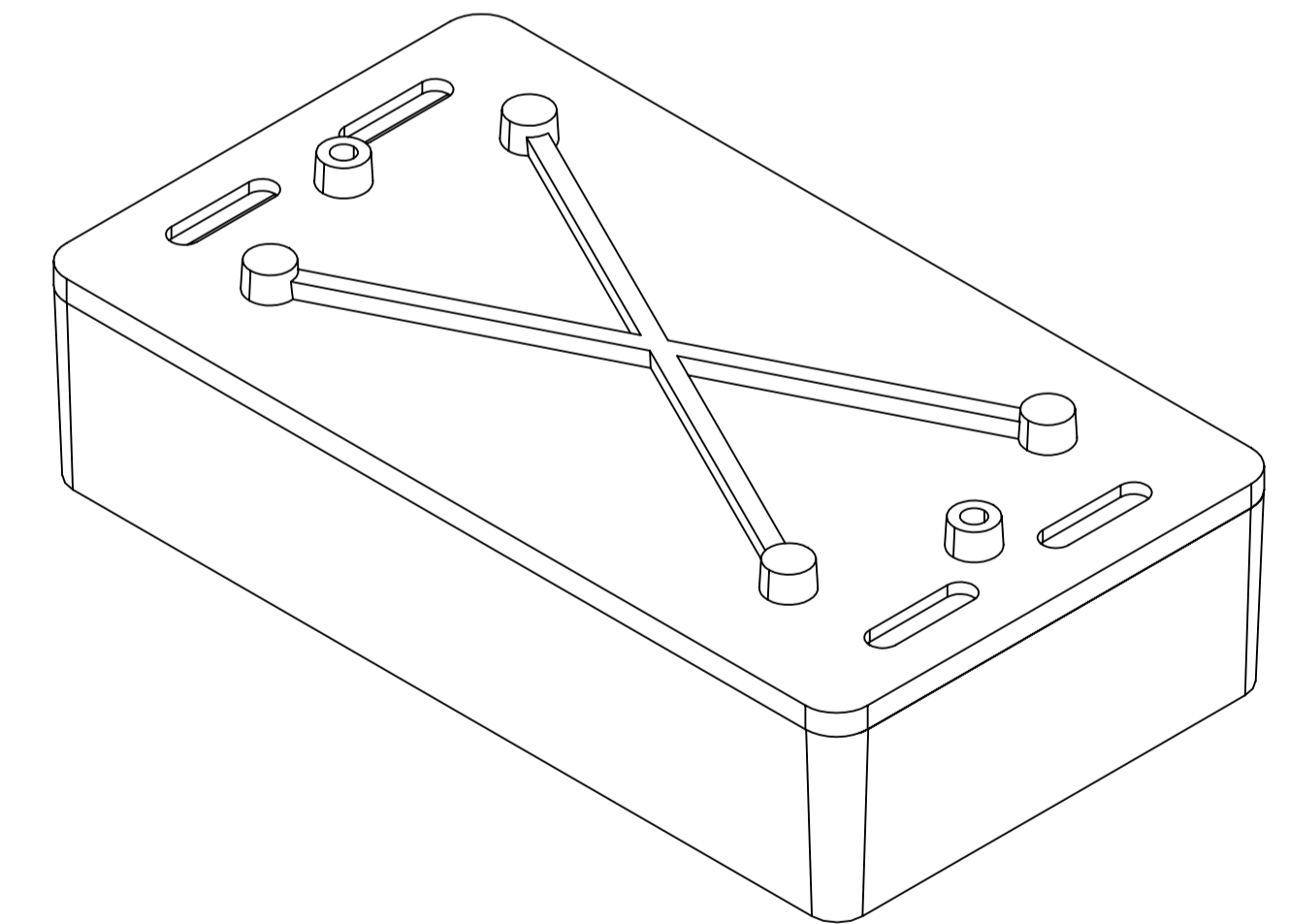
SURFACE-17



SURFACE-16



SURFACE-14



SURFACE-18

| REV. NO. | DATE | REVISED BY | DESCRIPTION OF CHANGE |
|--|-----------|---------------------|-----------------------|
| ALTINKAYA Electronic Enclosures & Components | | | |
| Customer Name: | | Customer Ref.: | |
| Altinkaya Ref.: | | Part Name: DM-010-T | |
| DRAWN | NAME | DATE | Drawn From: |
| CHECKED | Y. YESLOZ | 18.09.2024 | Material: |
| DIMENSIONAL TOLERANCES UNLESS OTHERWISE SPECIFIED: | | | SCALE 1:1 UNIT : mm |
| (R&T/148) | ±0.1 | ±0.1 | ±0.2 ±0.3 ±0.5 |