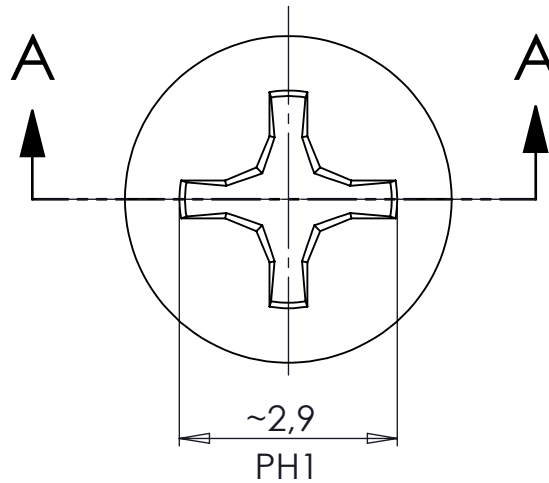



KESIT A-A



REV. NO	DATE	REVISED BY	DESCRIPTION OF CHANGE
			www.altinkaya.com
Customer Name:		Customer Ref.:	
Altinkaya Ref.: A-603-0-0-M-0 / A-603-0-0-S-0		Part Name : A-603 M3x8 mm YHB Screw	
DRAWN S.YESILOZ		DATE 8.11.2024	
CHECKED Y.YEL		DATE 8.11.2024	
NAME		DATE	
Material : Metallic A2F Cr+3 /Black A2S Cr+3 over 20 Mn-B4		Drawn From:	
WEIGHT: 0.47 g		UNIT : mm	
DIMENSIONAL TOLERANCES UNLESS OTHERWISE SPECIFIED (DIN7168)		0.5-3mm	3-6mm
		6-30mm	30-120mm
		120-400mm	Dimension (mm)
		±0,1	±0,1
		±0,2	±0,3
		±0,3	±0,5
		m (medium)	

A4

SCALE:8:1

SHEET 1 OF 1

