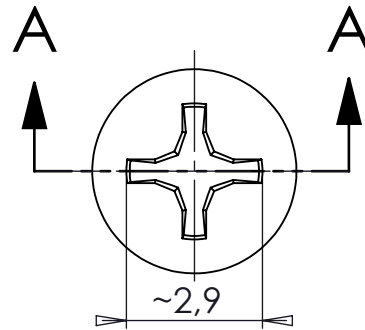



KESIT A-A



REV. NO	DATE	REVISED BY	DESCRIPTION OF CHANGE				
			www.altinkaya.com				
Customer Name:		Customer Ref.:					
Altinkaya Ref.:		Part Name : A-695 M3x0.5-15					
DRAWN	NAME	DATE	Drawn From:				
CHECKED	Y.YEL	7.11.2024	Material :	20 Mn-B4			
DIMENSIONAL TOLERANCES UNLESS OTHERWISE SPECIFIED (DIN7168)		0.5-3mm	3-6mm	6-30mm	30-120mm	120-400mm	UNIT : mm
		±0,1	±0,1	±0,2	±0,3	±0,5	m (medium)
SCALE:5:1						SHEET 1 OF 1	

A4