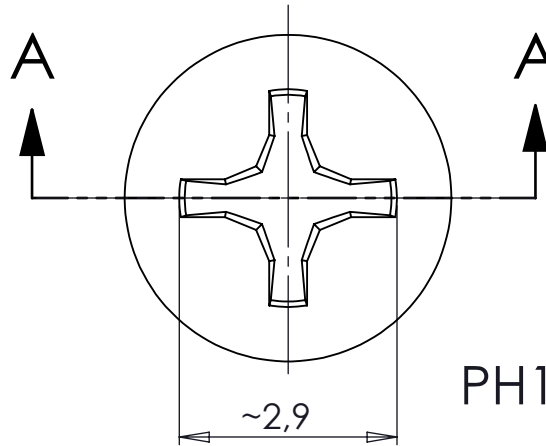



KESIT A-A



REV. NO	DATE	REVISED BY	DESCRIPTION OF CHANGE
		www.altinkaya.com	
Customer Name:		Customer Ref.:	
Altinkaya Ref.:		Part Name : A-671 M3x0.5-5	
DRAWN	NAME	DATE	Drawn From:
CHECKED	Y.YEL	7.11.2024	Material : 20 Mn-B4
DIMENSIONAL TOLERANCES UNLESS OTHERWISE SPECIFIED (DIN7168)		WEIGHT: 0.33g	UNIT : mm
±0,1	±0,1	±0,2	±0,3
±0,5	±0,5	±0,5	±0,5
SCALE:8:1			SHEET 1 OF 1

A4

