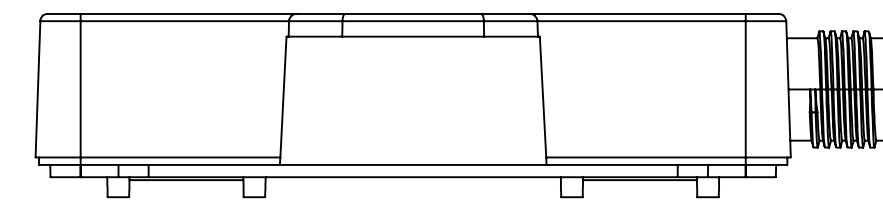
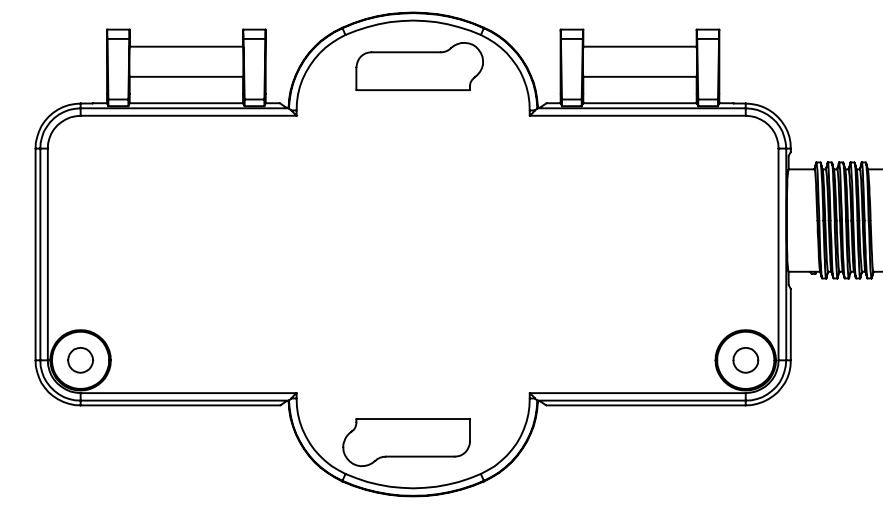


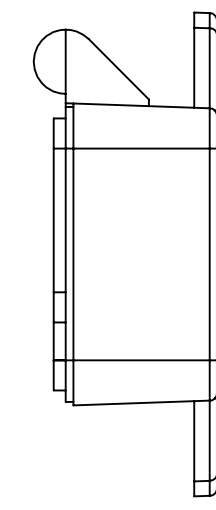
BASE: 6 SURFACE



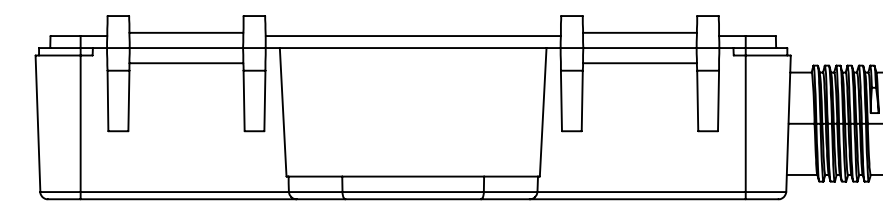
SURFACE-1



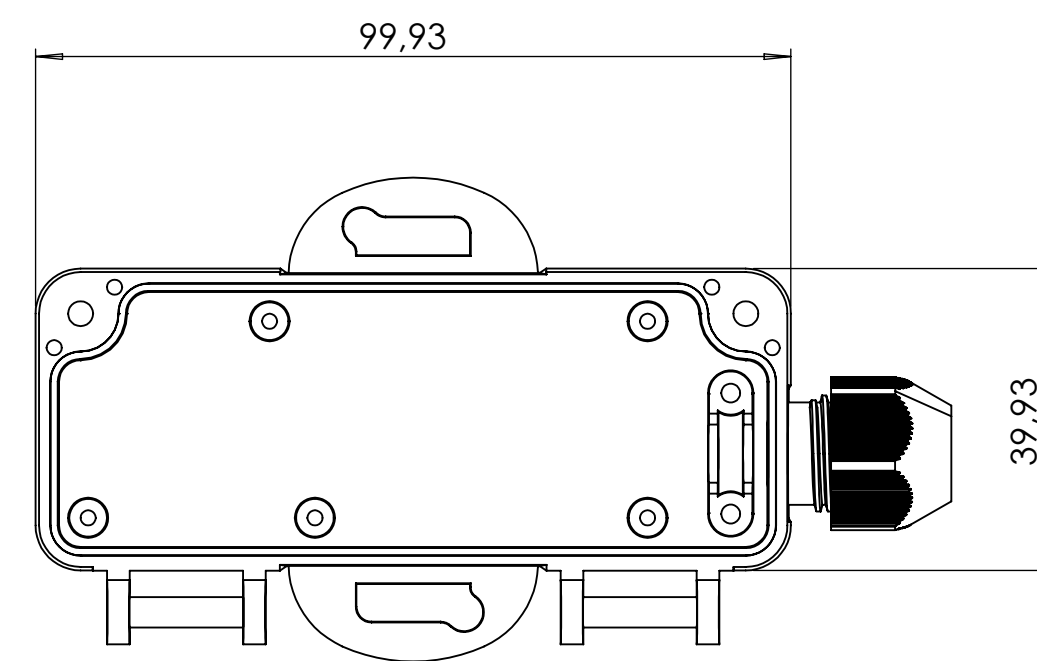
SURFACE-5



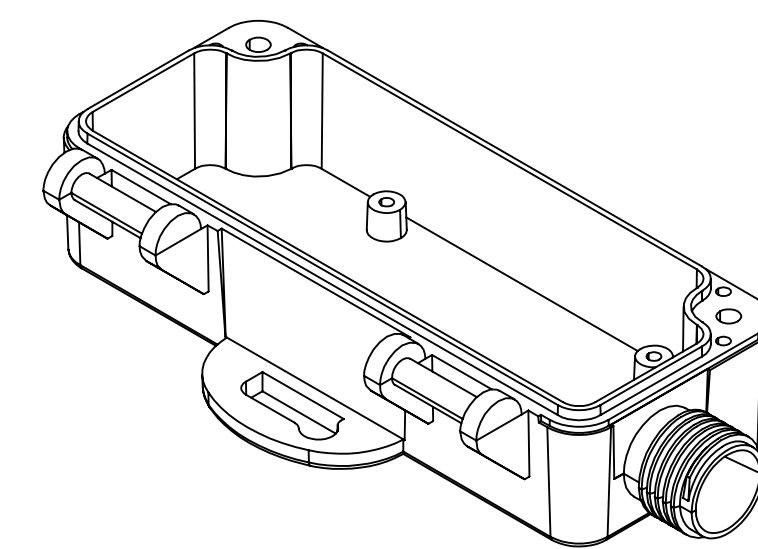
SURFACE-4



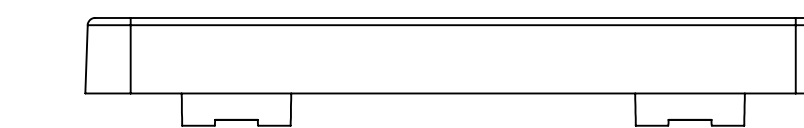
SURFACE-2



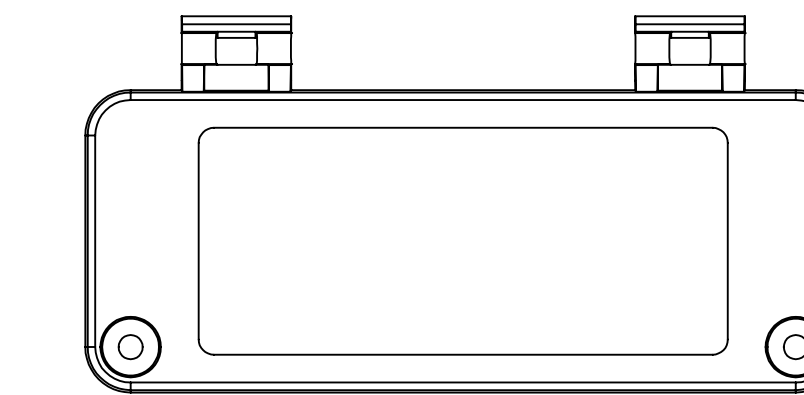
SURFACE-6 (INSIDE)



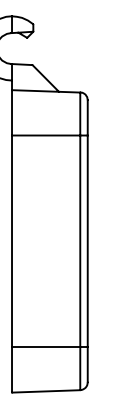
COVER: 6 SURFACE



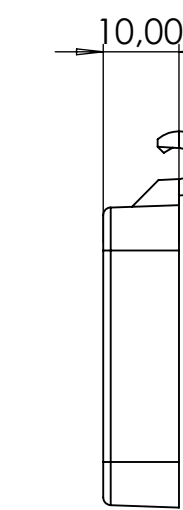
SURFACE-7



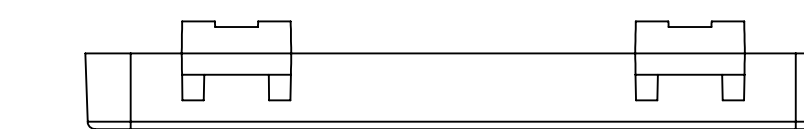
SURFACE-11



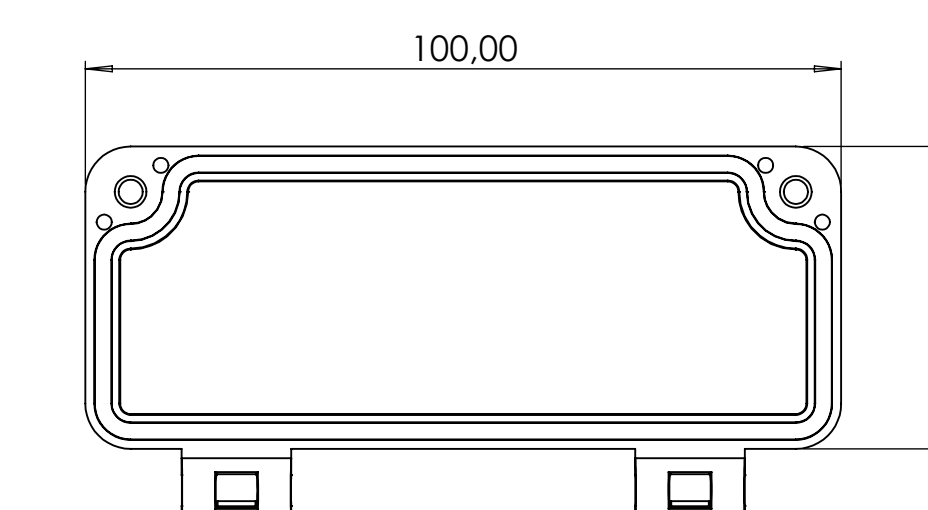
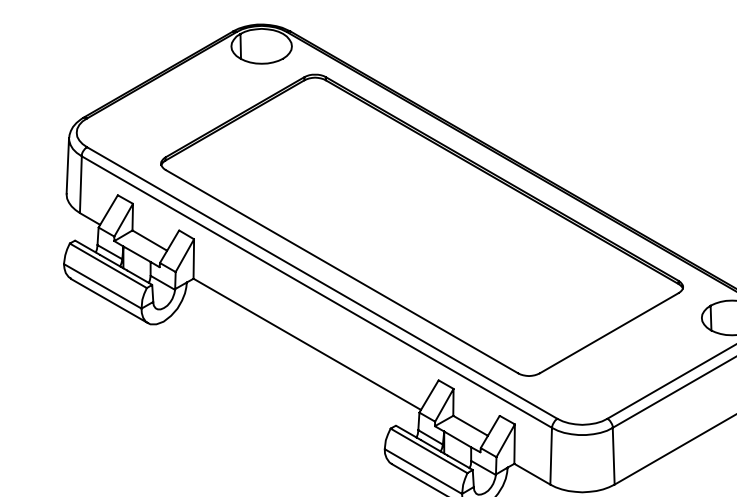
SURFACE-10



SURFACE-9



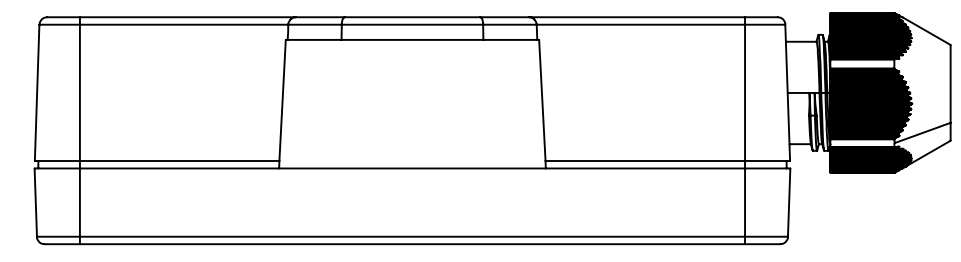
SURFACE-8



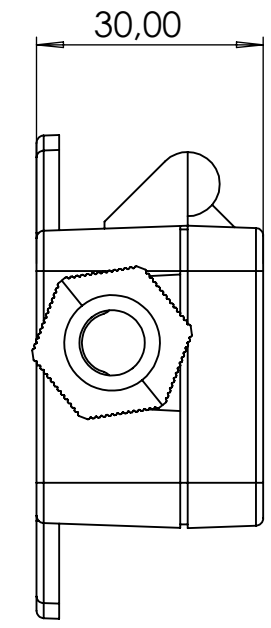
SURFACE-12 (INSIDE)

REV. NO	DATE	REVISED BY	DESCRIPTION OF CHANGE
 ALTINKAYA Electronic Enclosures & Components			www.altinkaya.com
Customer Name:		Customer Ref.:	
Altinkaya Ref.:		Part Name: TB-242	
DRAWN	NAME	DATE	Drawn From:
CHECKED	Y.YEL	5.11.2024	Material:
DIMENSIONAL TOLERANCES UNLESS OTHERWISE SPECIFIED (DIN7168)			SCALE 1:1
±0.1	±0.1	±0.2	±0.3
±0.5	Dimension (mm)		UNIT: mm
			A0
			SHEET 1 OF 2

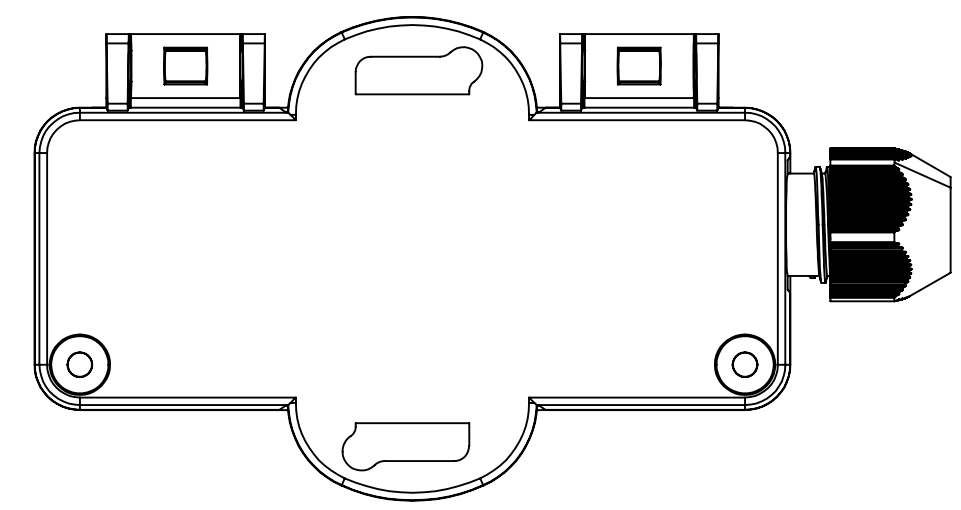
TB-242 IF MACHINED TOGETHER



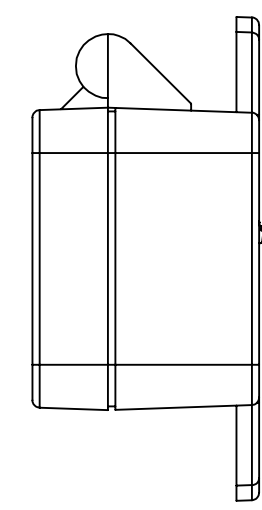
SURFACE-13



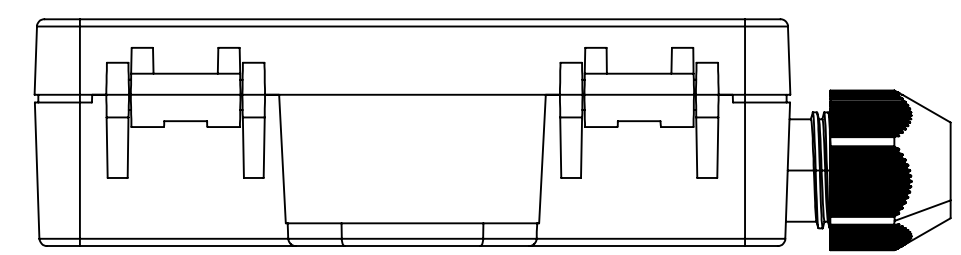
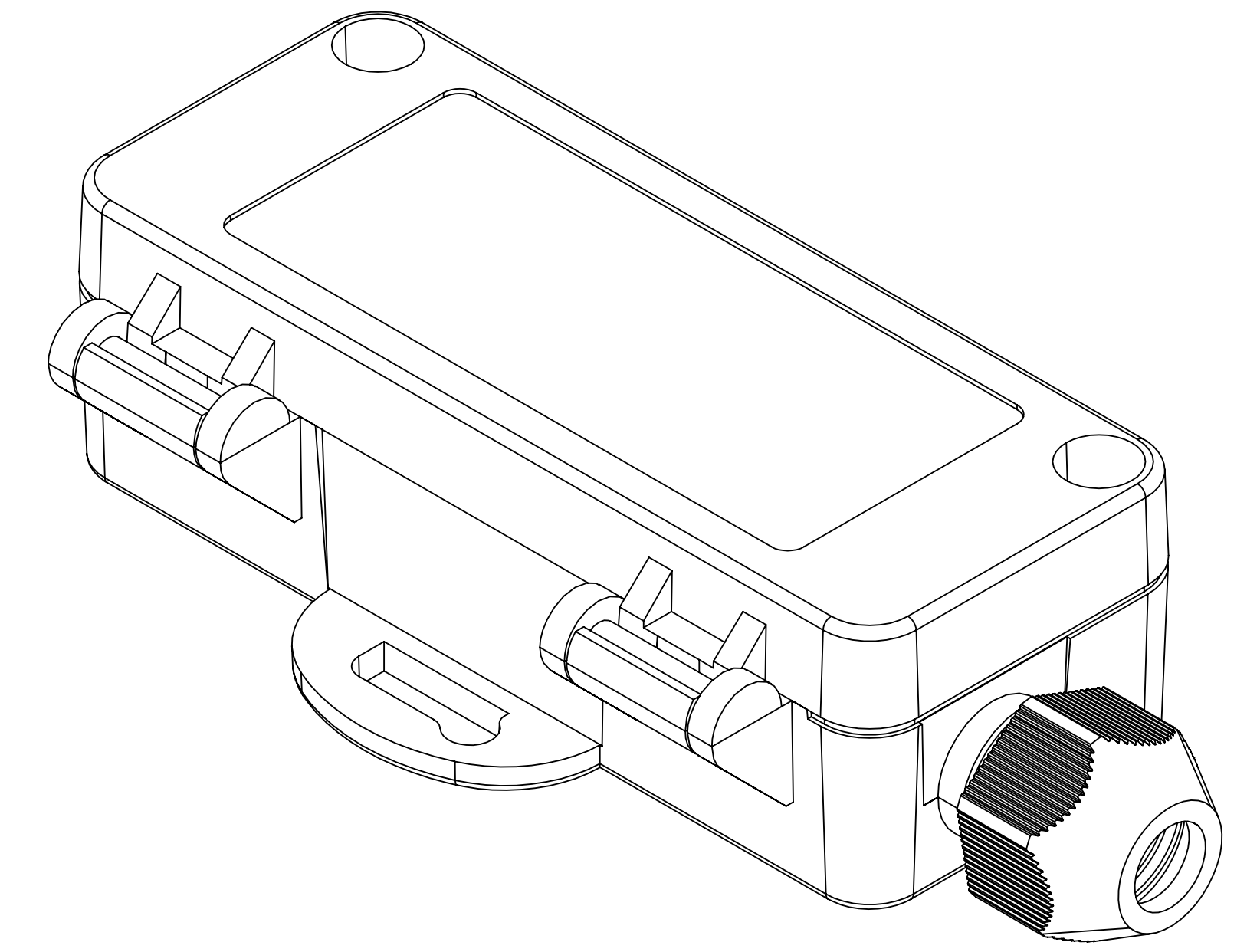
SURFACE-15



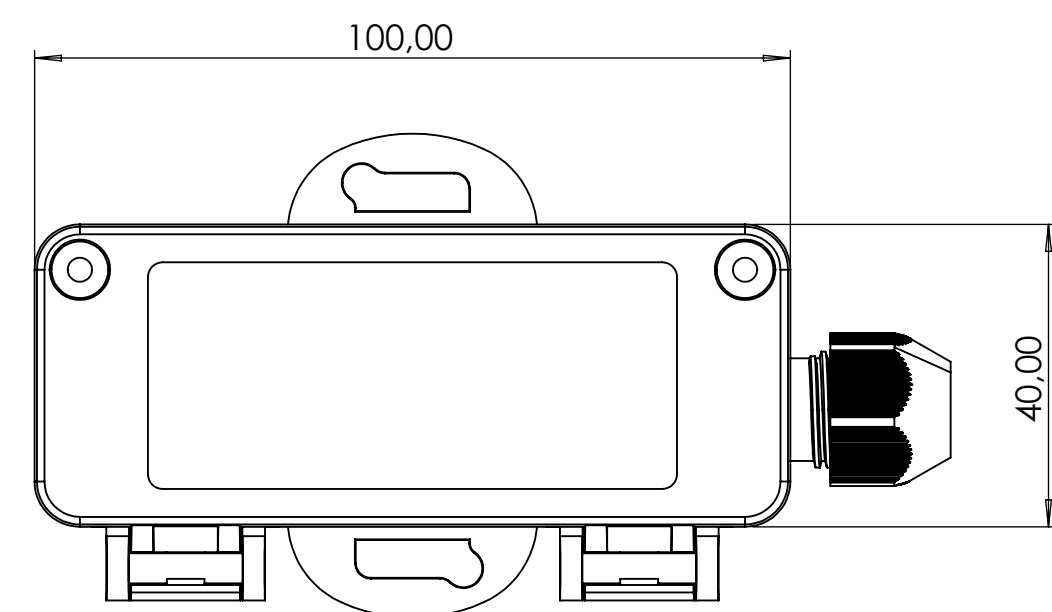
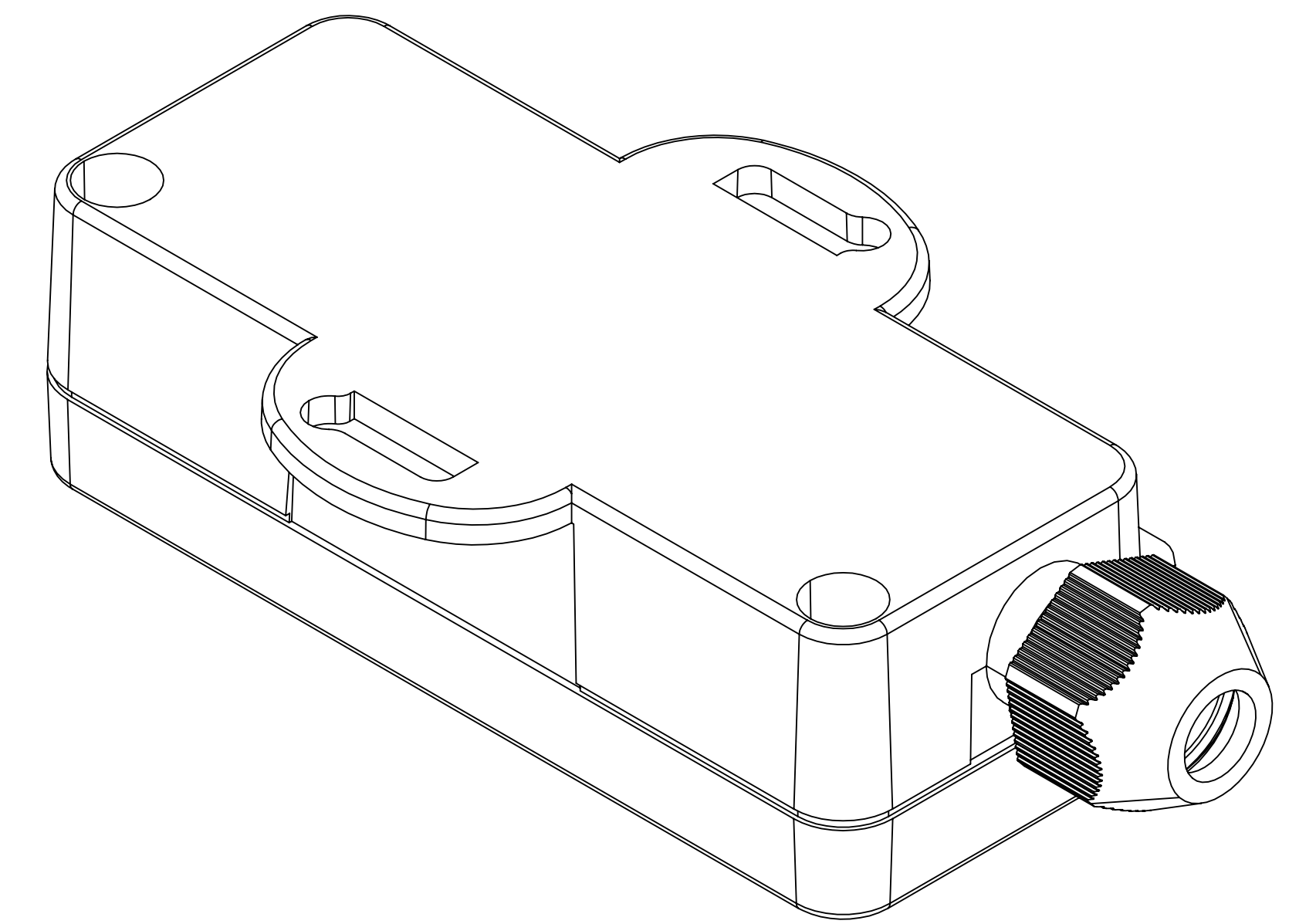
SURFACE-17




SURFACE-16



SURFACE-14



SURFACE-18

REV. NO	DATE	REVISED BY	DESCRIPTION OF CHANGE
 ALTINKAYA Electronic Enclosures & Components			www.altinkaya.com
Customer Name:		Customer Ref.:	
Altinkaya Ref.:		Part Name: TB-242	
DRAWN	NAME	DATE	Drawn From:
CHECKED	Y.YEL	5.11.2024	Material:
DIMENSIONAL TOLERANCES UNLESS OTHERWISE SPECIFIED (DIN7168)			SCALE 1:1 SHEET 2 OF 2
	0.5-3mm	3-6mm	6-30mm
	±0.1	±0.1	±0.2
			±0.3
			±0.5
			m (Medium)
			UNIT: mm
			A0