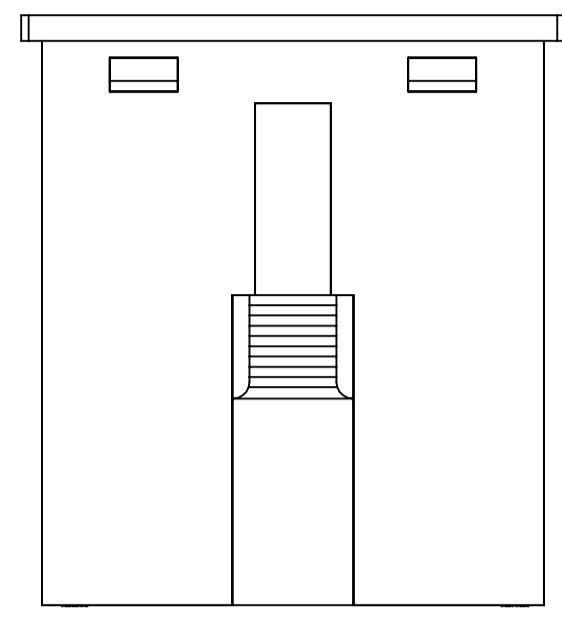
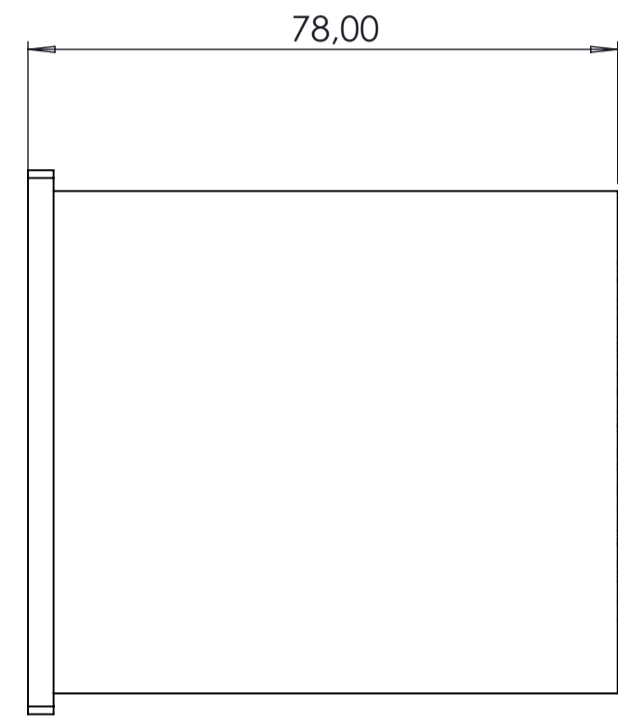


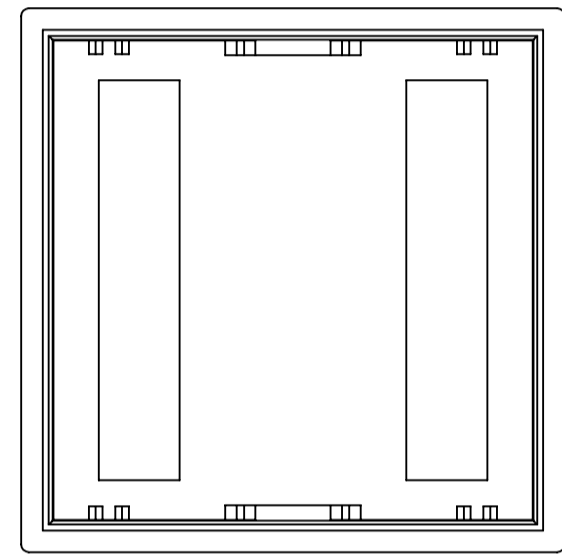
# BASE: 6 SURFACE



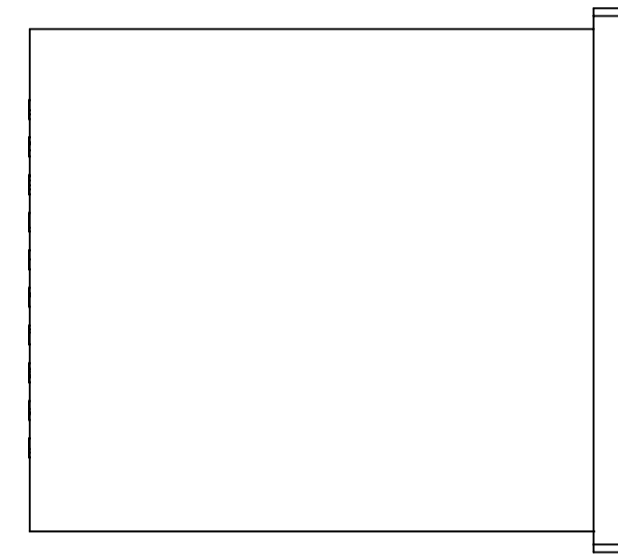
SURFACE-1



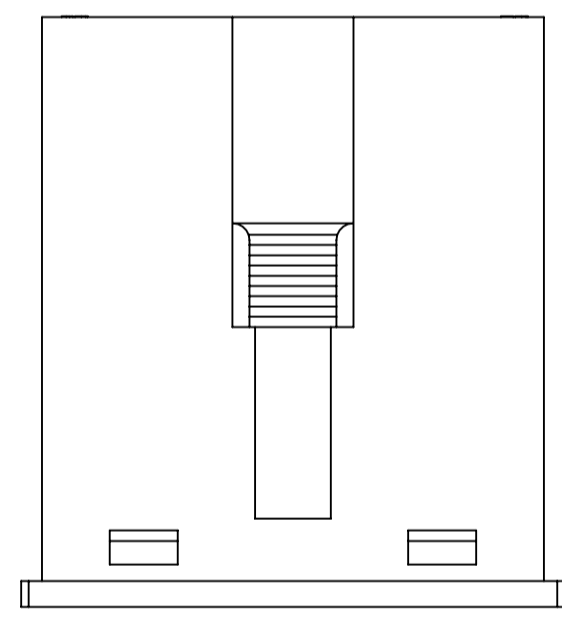
SURFACE-3



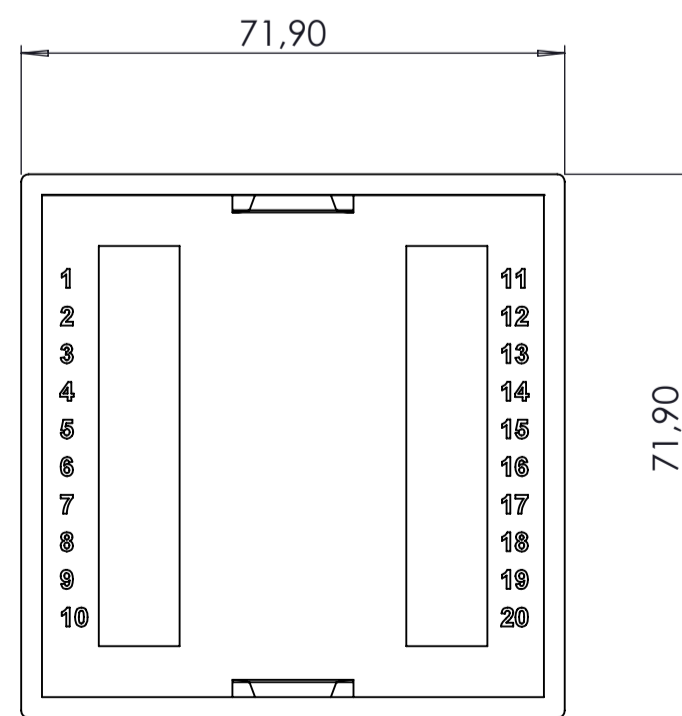
SURFACE-5



SURFACE-4

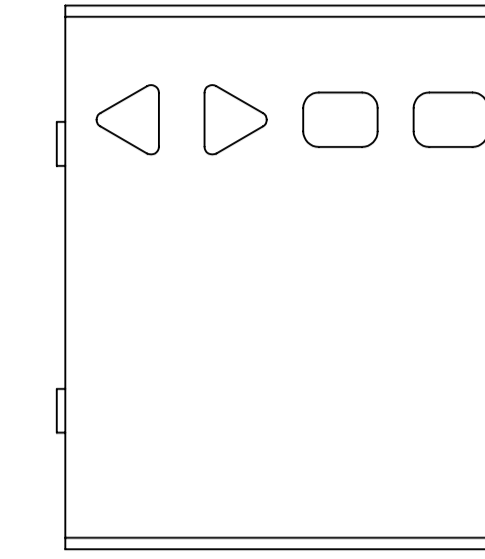


SURFACE-2

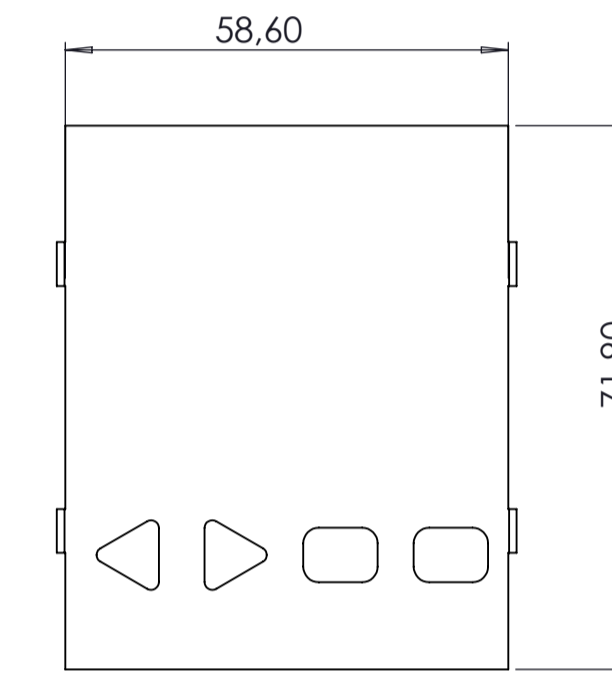
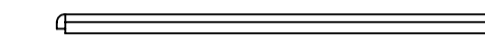


SURFACE-6

# PANEL: 2 SURFACE

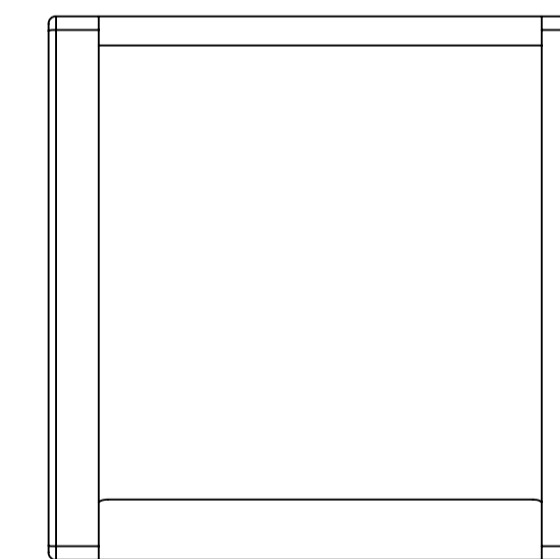


SURFACE-7

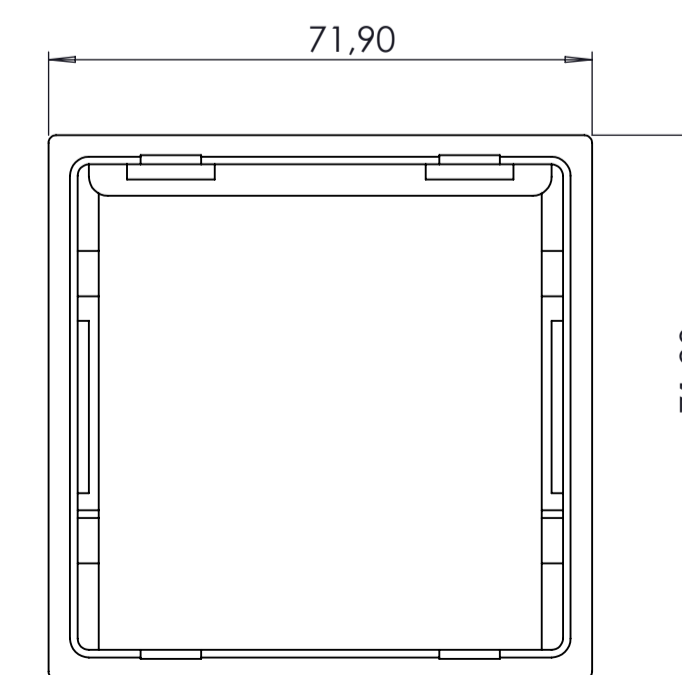
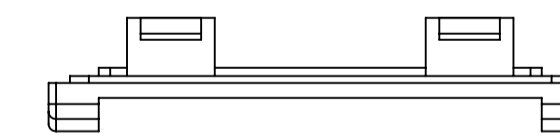


SURFACE-8

# COVER: 2 SURFACE



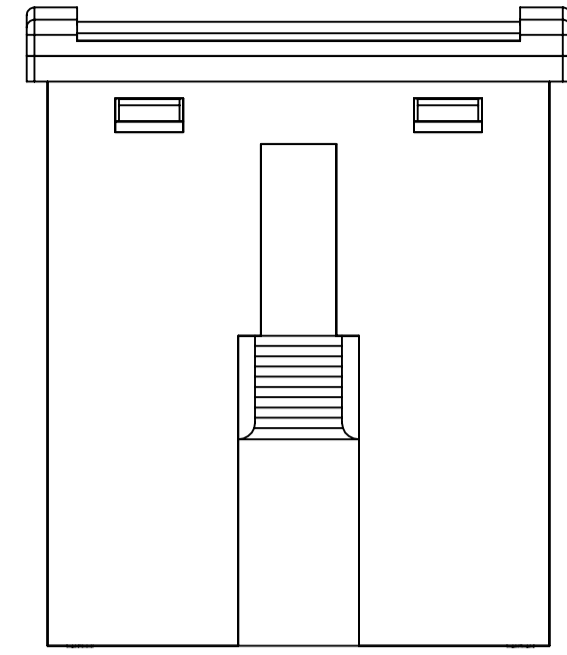
SURFACE-9



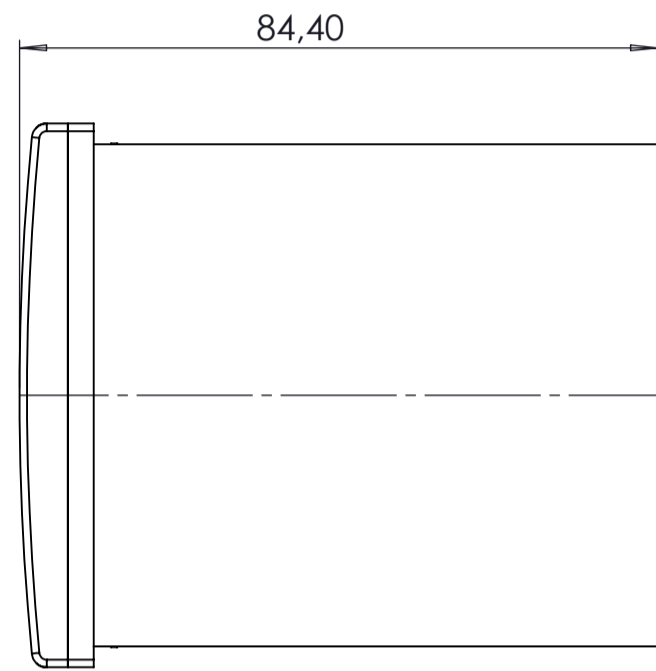
SURFACE-10

REV. NO	DATE	REVISED BY	DESCRIPTION OF CHANGE
 <b>ALTINKAYA</b> Electronic Enclosures & Components			<a href="http://www.altinkaya.com">www.altinkaya.com</a>
Customer Name:		Customer Ref.:	
Altinkaya Ref.:		Part Name: PF-190-24	
DRAWN	NAME	DATE	Material:
CHECKED	Y.YEL	4.10.2024	Weight:
DIMENSIONAL TOLERANCES UNLESS OTHERWISE SPECIFIED:			SCALE 1:1 UNIT : mm
[R47148]	±0.1	±0.1	±0.2 ±0.3 ±0.5

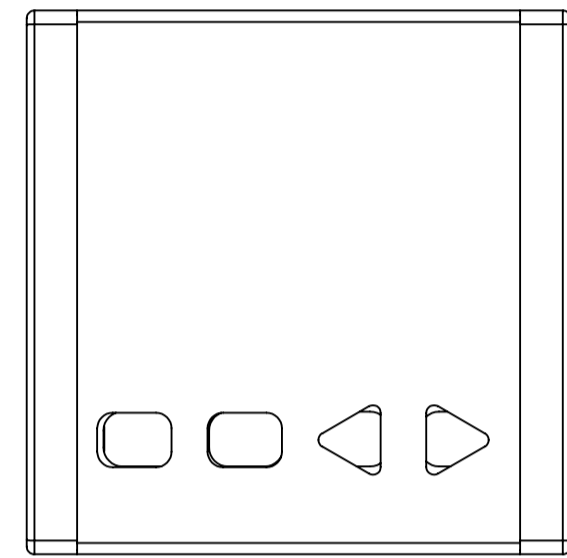
# PT-190-24 IF MACHINED TOGETHER



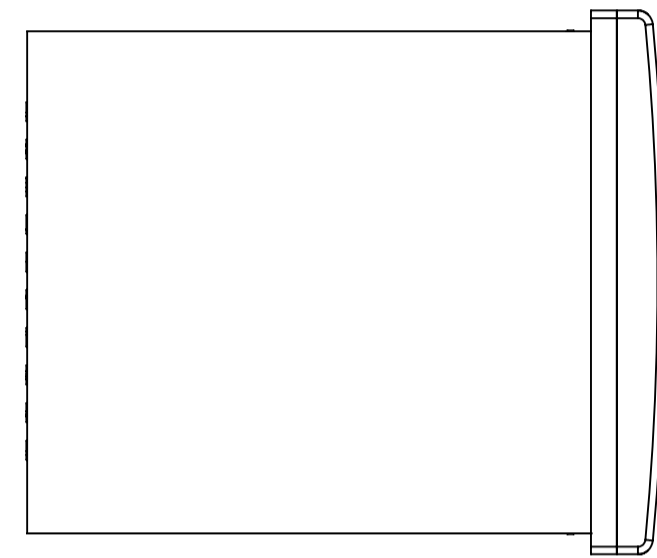
SURFACE-11



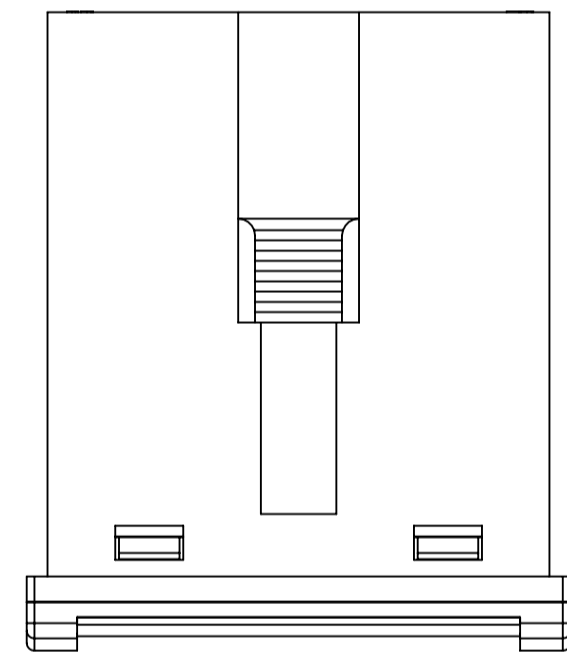
SURFACE-13



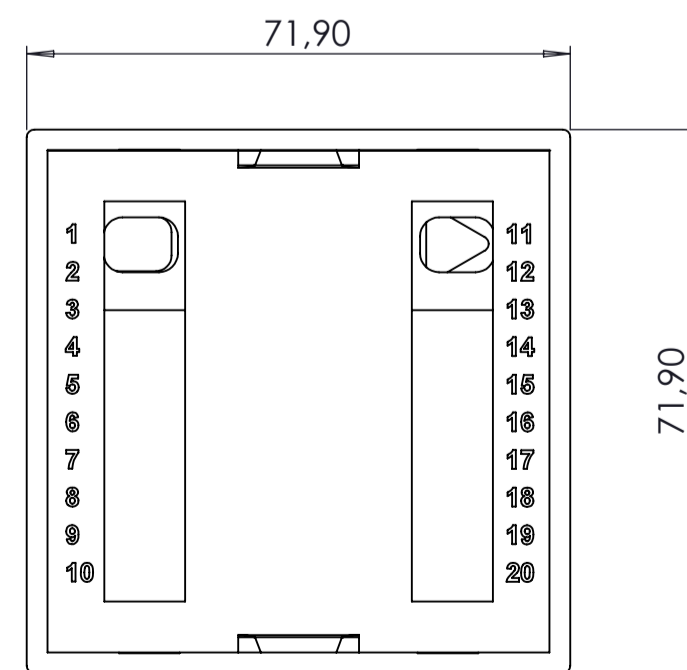
SURFACE-15



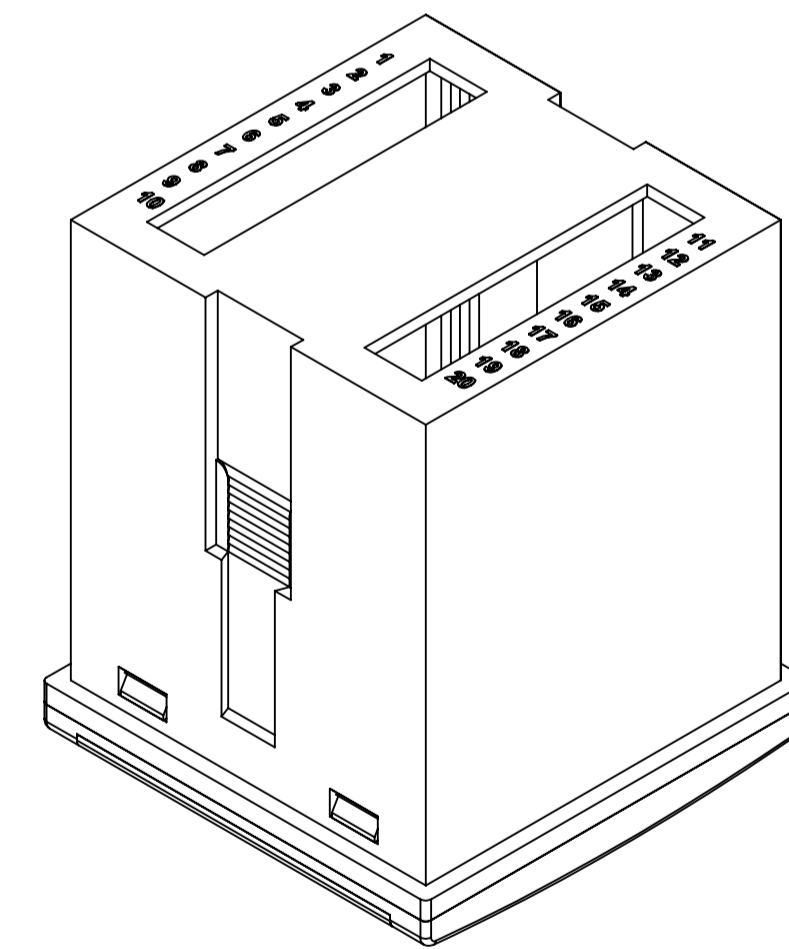
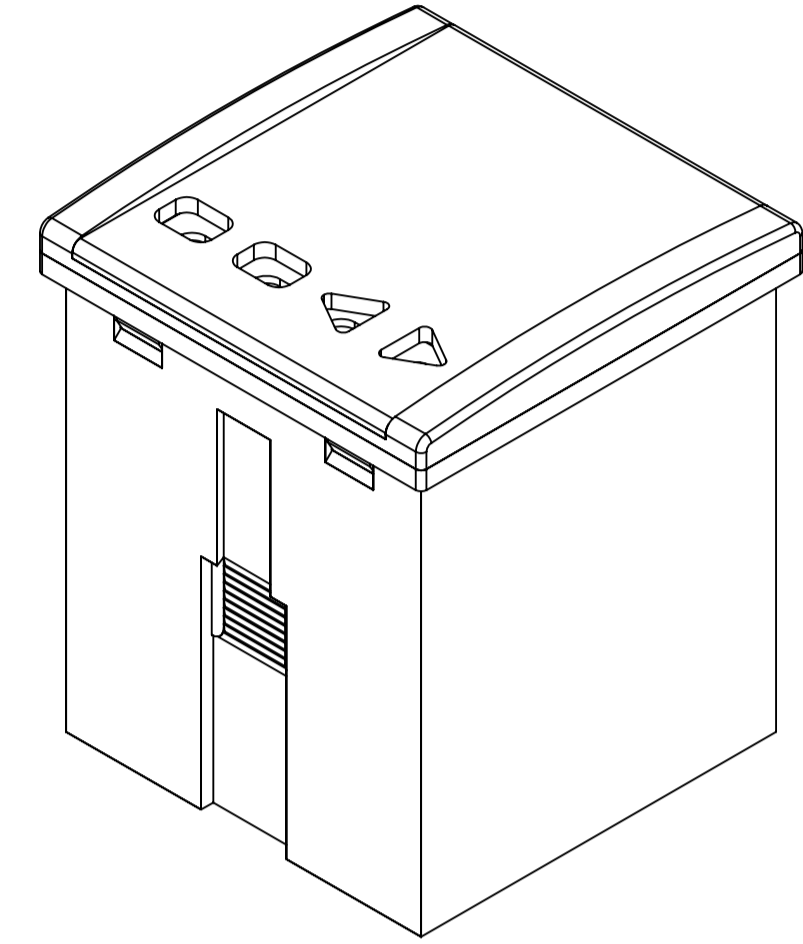
SURFACE-14




SURFACE-12



SURFACE-16



REV. NO.	DATE	REVISED BY	DESCRIPTION OF CHANGE
 <b>ALTINKAYA</b> Electronic Enclosures & Components			
Customer Name:		Customer Ref.:	
Altinkaya Ref.:		Part Name: PT-190-24	
DRAWN	NAME	DATE	Drawn From:
CHECKED	Y. YEL	4.10.2024	Material:
DIMENSIONAL TOLERANCES UNLESS OTHERWISE SPECIFIED:			SCALE 1:1 UNIT : mm
(R&T/148)	±0.1	±0.1	±0.2 ±0.3 ±0.5