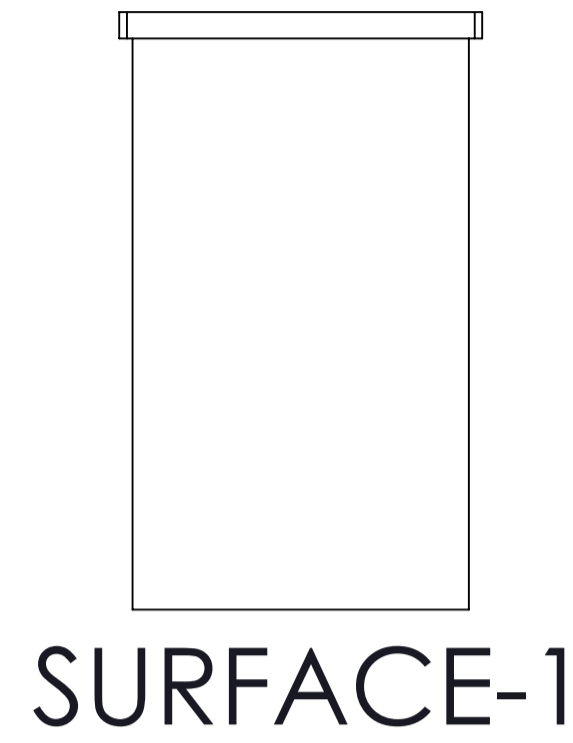
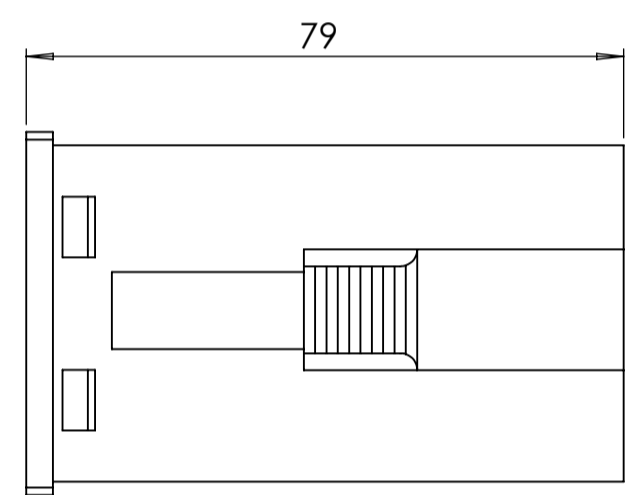


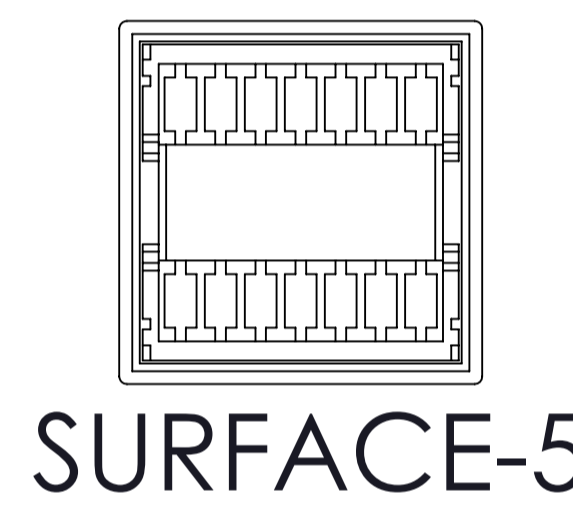
BASE: 6 SURFACE



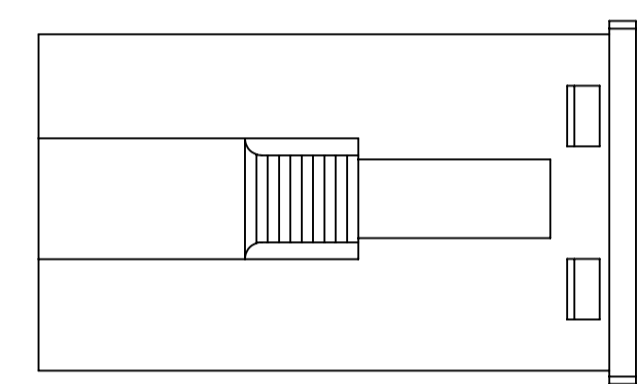
SURFACE-1



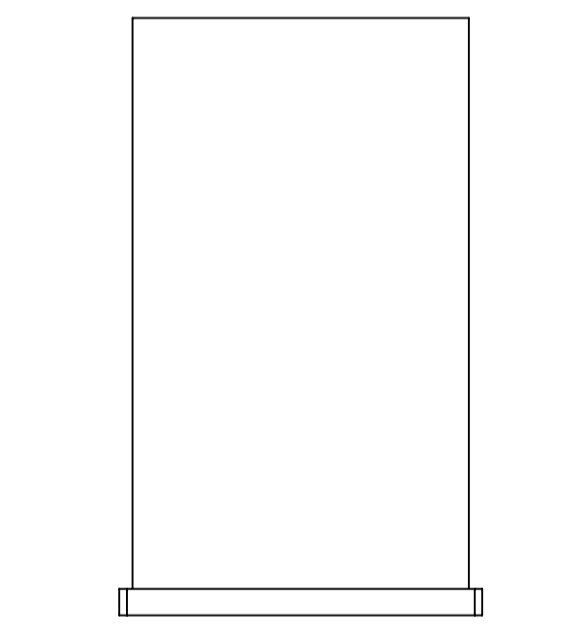
SURFACE-3



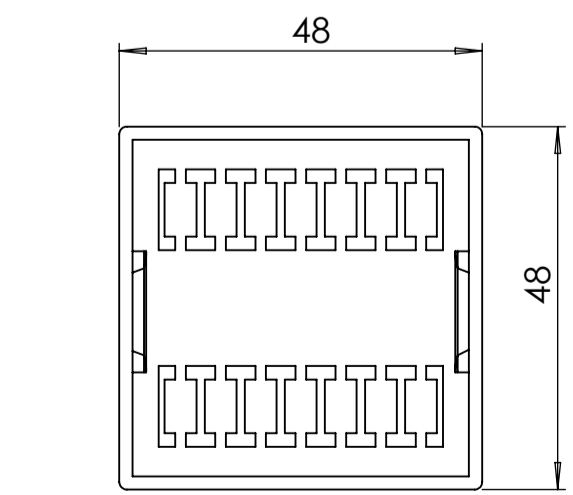
SURFACE-5



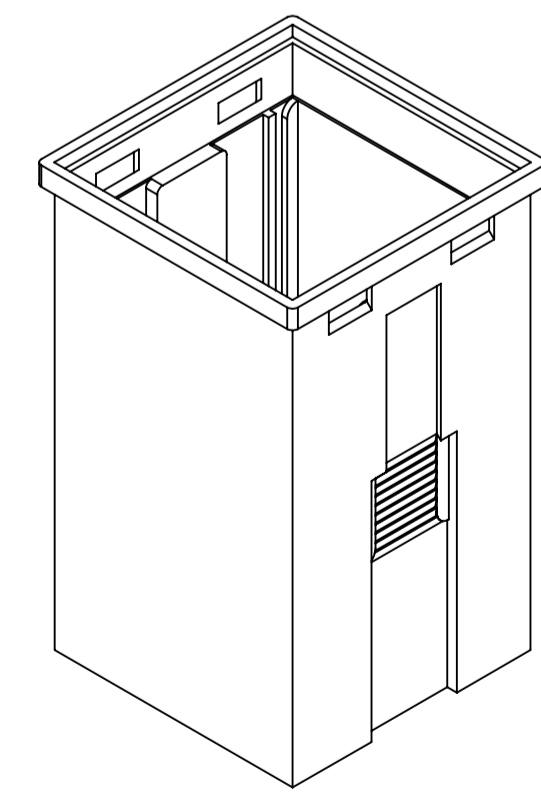
SURFACE-4



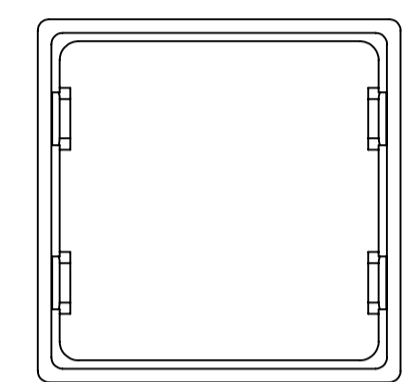
SURFACE-2



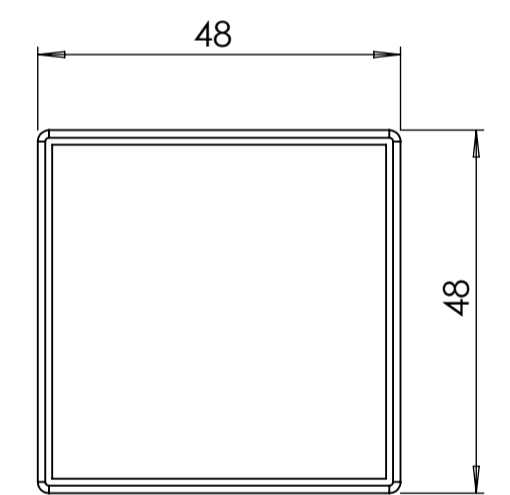
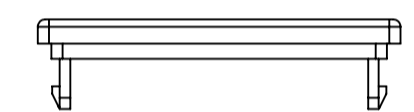
SURFACE-6



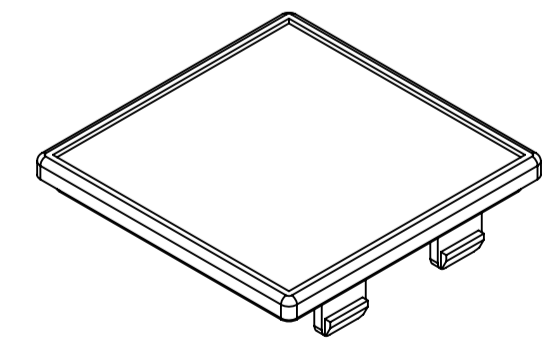
COVER: 6 SURFACE



SURFACE-7

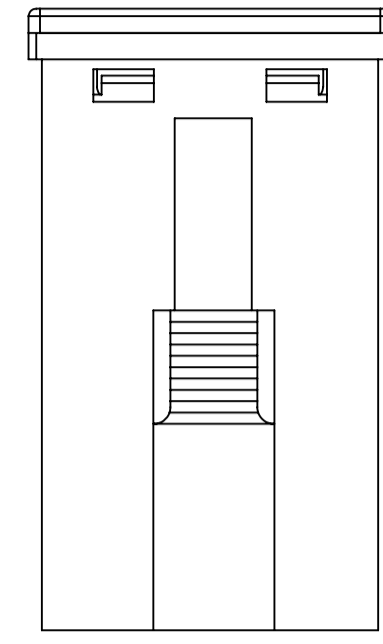


SURFACE-8

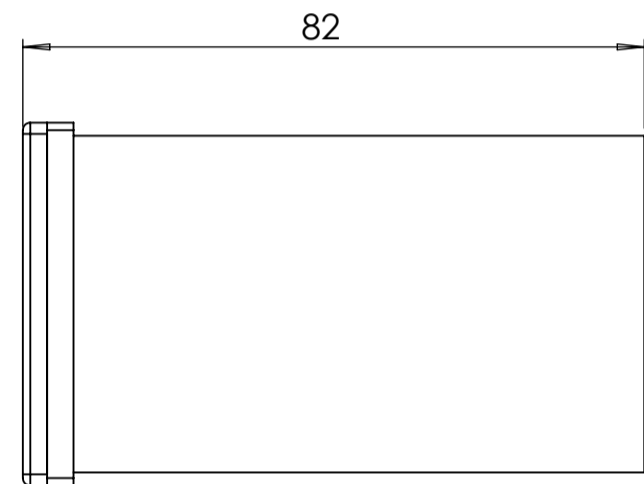


REV. NO.	DATE	REVISED BY	DESCRIPTION OF CHANGE
ALTINKAYA Electronic Enclosures & Components			
Customer Name:		Customer Ref.:	
Altinkaya Ref.:		Part Name: PF-140	
DRAWN	NAME	DATE	Drawn From:
CHECKED	Y. YESLOZ	4.10.2024	Material:
DIMENSIONAL TOLERANCES UNLESS OTHERWISE SPECIFIED:			Weight:
±0.1	±0.1	±0.2	±0.3
±0.5	±0.5	±0.5	±0.5
SCALE: 1:1			UNIT: mm
Dimension (mm)			Dimension (mm)
m (medium)			m (medium)
SHEET 1 OF 2			A1

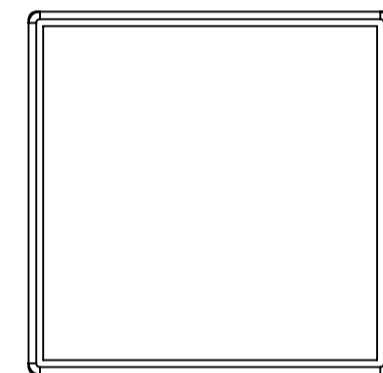
PT-140 IF MACHINED TOGETHER



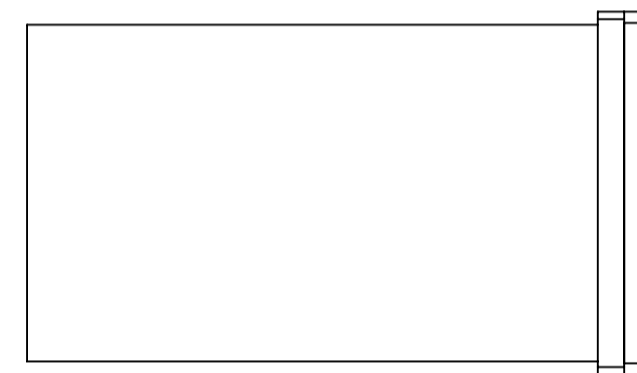
SURFACE-9



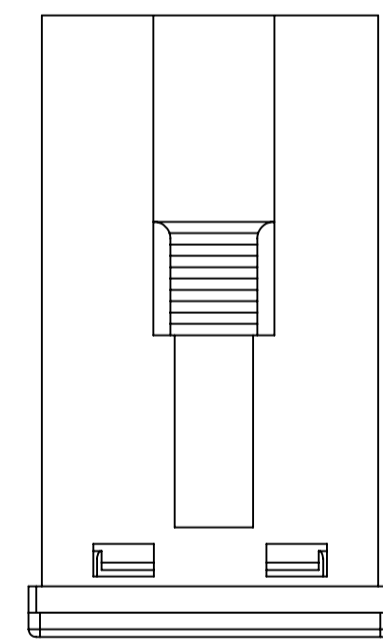
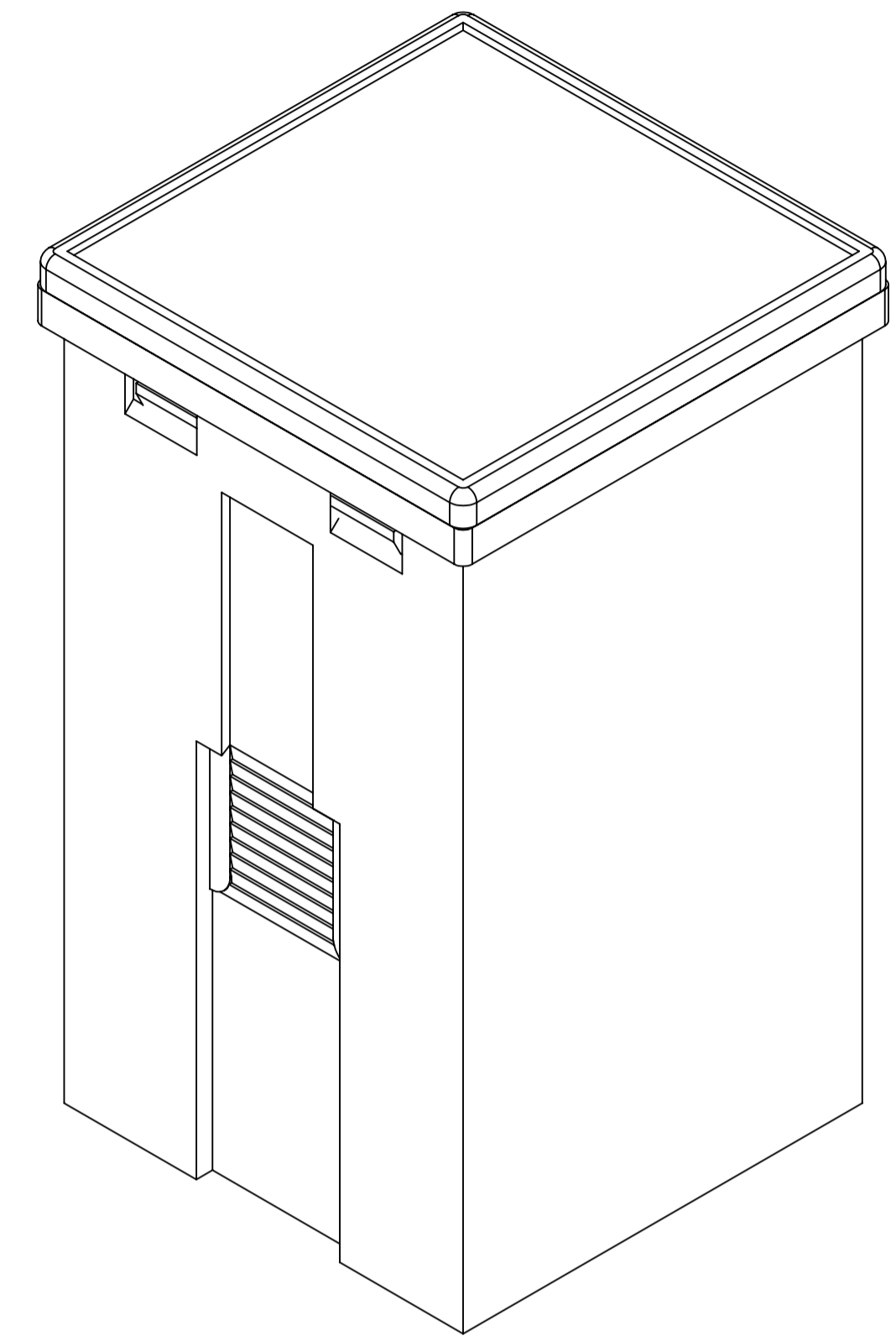
SURFACE-11



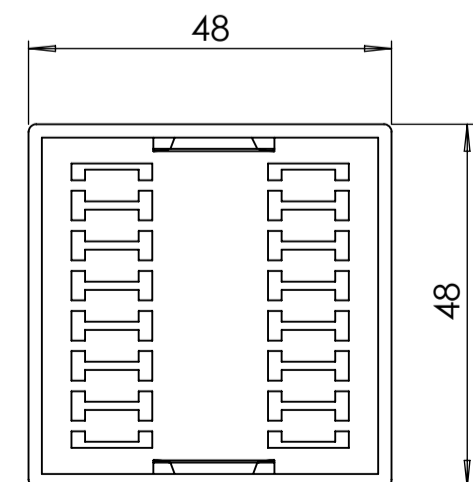
SURFACE-13



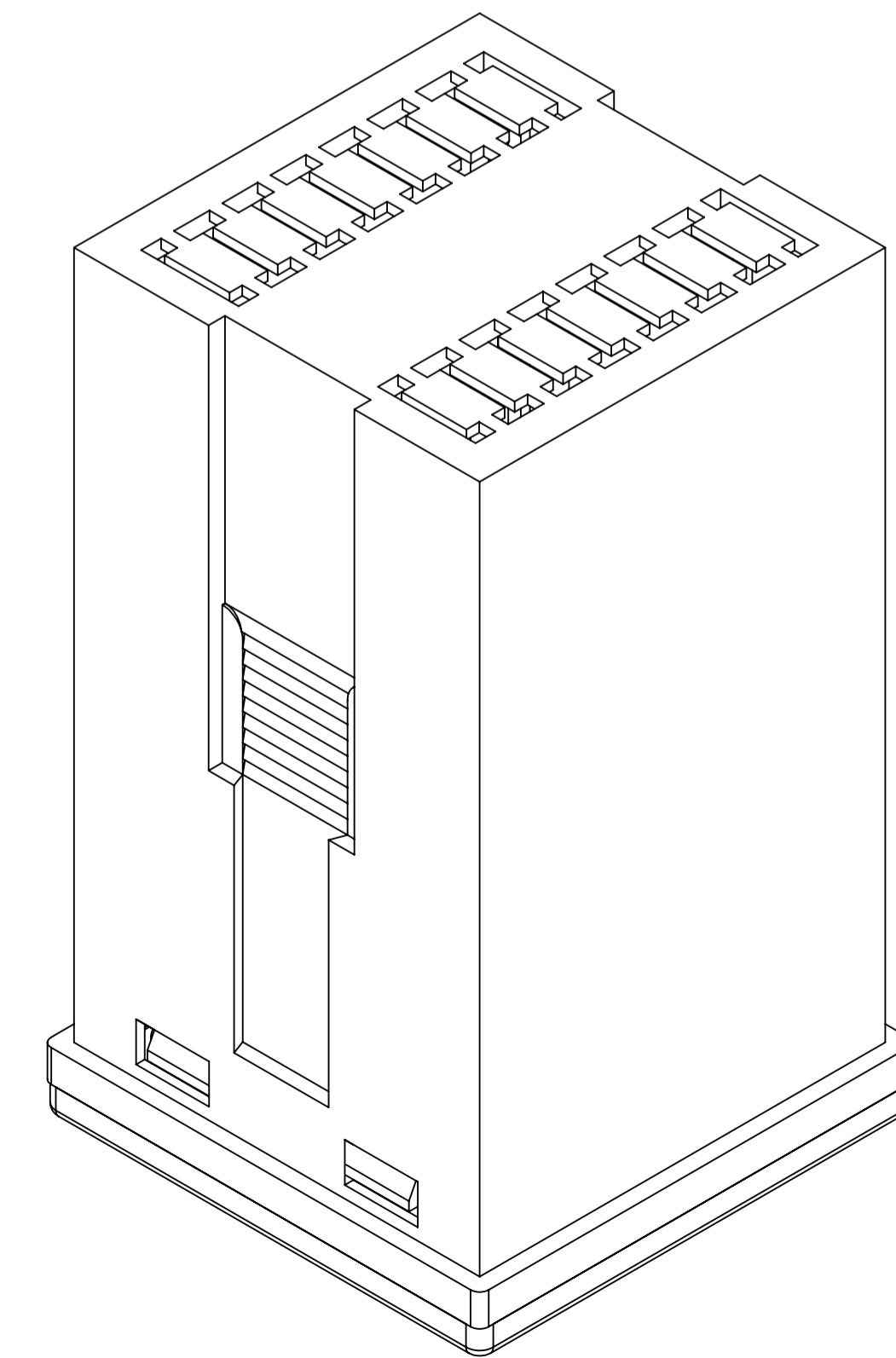
SURFACE-12



SURFACE-10



SURFACE-14



REV. NO.	DATE	REVISED BY	DESCRIPTION OF CHANGE
ALTINKAYA Electronic Enclosures & Components			www.altinkaya.com
Customer Name:		Customer Ref.:	
Altinkaya Ref.:		Part Name: PT-140	
DRAWN	NAME	DATE	Drawn From:
CHECKED	Y. YEL	4.10.2024	Material:
DIMENSIONAL TOLERANCES UNLESS OTHERWISE SPECIFIED:			Weight:
	±0.1	±0.1	±0.2
	±0.1	±0.2	±0.3
	±0.1	±0.2	±0.5
SCALE 1:1			UNIT : mm
Dimension(mm)			A1
m(medium)			SHEET 2 OF 2