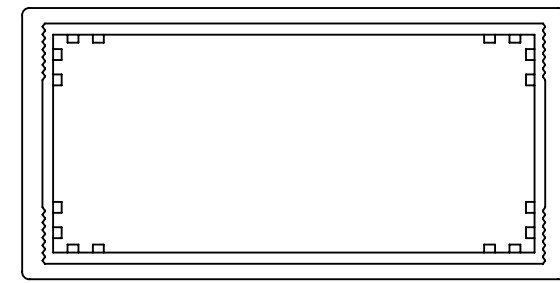
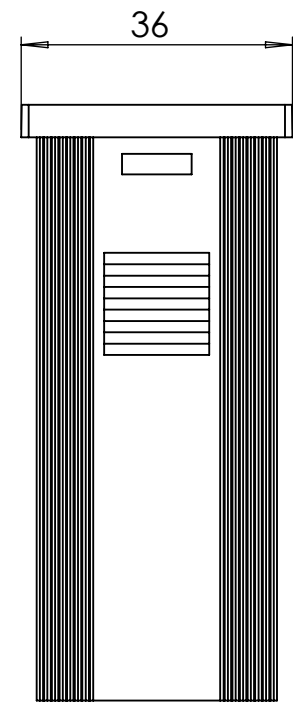


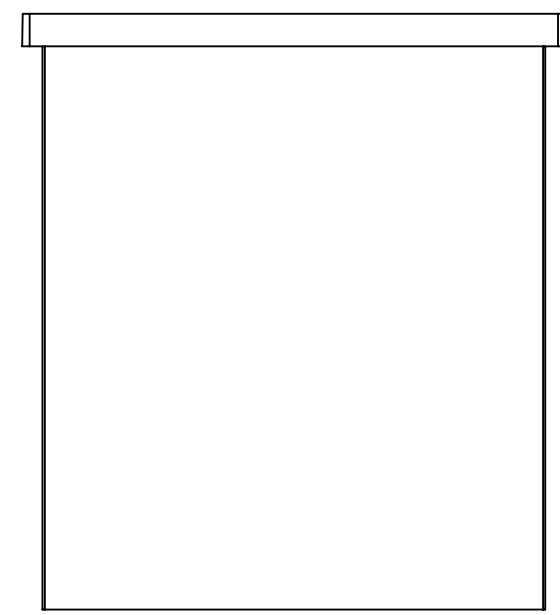
BASE: 6 SURFACE



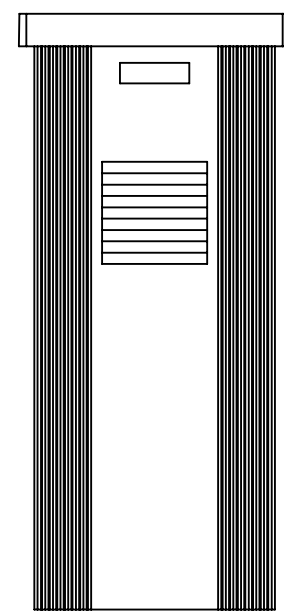
SURFACE-1



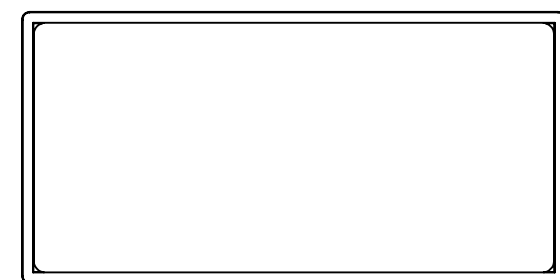
SURFACE-3



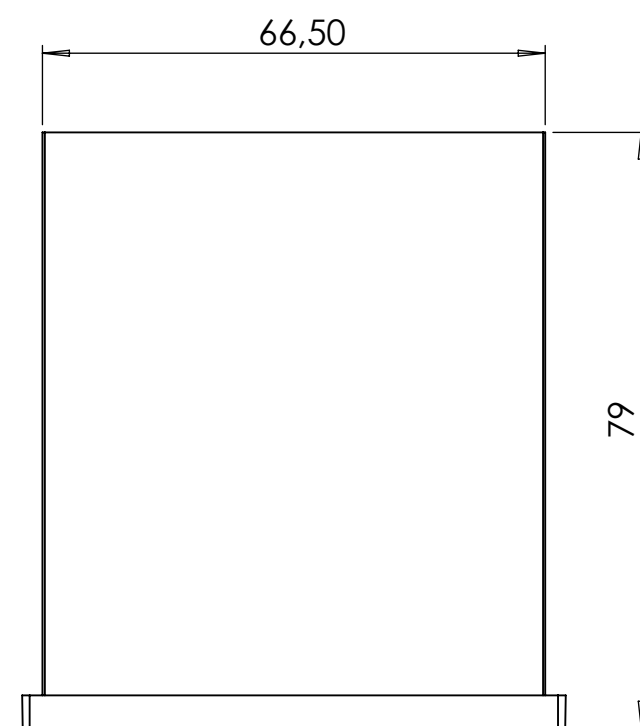
SURFACE-5



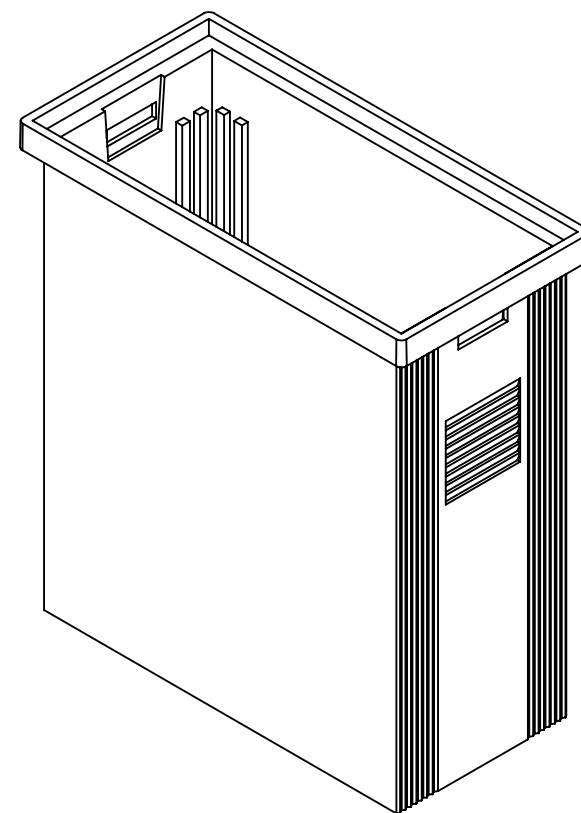
SURFACE-4



SURFACE-2



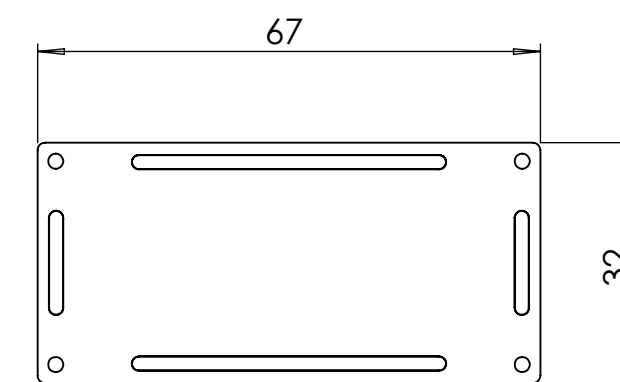
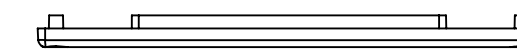
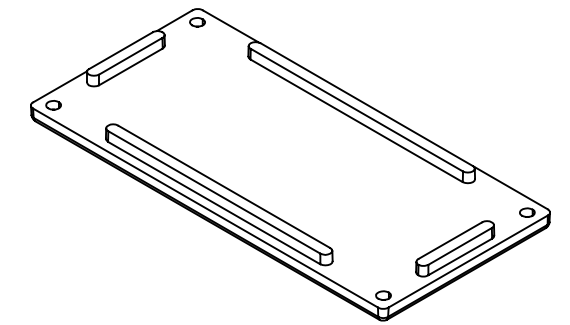
SURFACE-6



COVER: 2 SURFACE



SURFACE-7

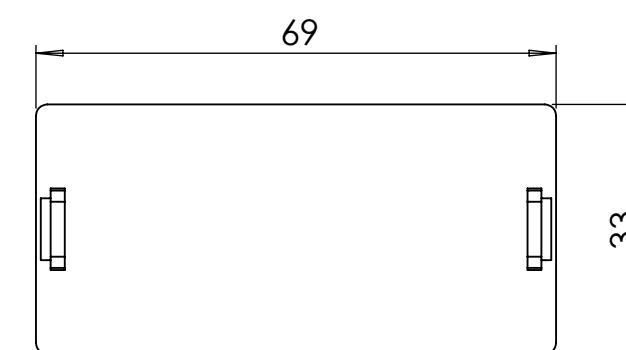
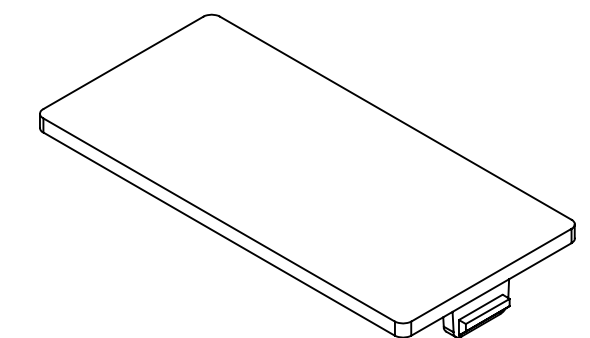


SURFACE-8


PANEL: 2 SURFACE



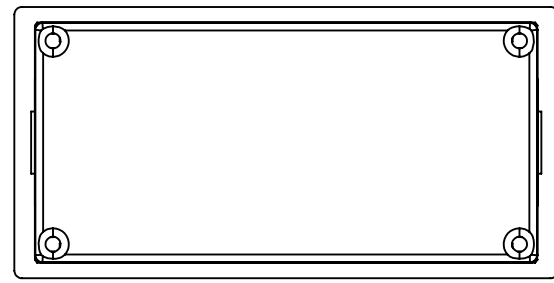
SURFACE-9



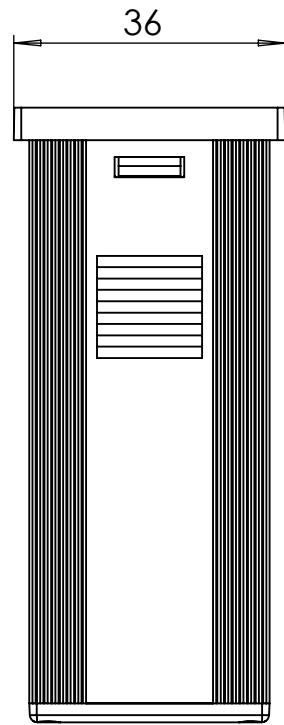
SURFACE-10

REV. NO	DATE	REVISED BY	DESCRIPTION OF CHANGE
 ALTINKAYA Electronic Enclosures & Components			www.altinkaya.com
Customer Name:		Customer Ref.:	
Allinkaya Ref.:		Part Name: PT-120-01	
DRAWN	NAME	DATE	Drawn From:
CHECKED	Y.YEL	4.10.2024	Material:
DIMENSIONAL TOLERANCES (UNLESS OTHERWISE SPECIFIED) (EN 7148)		0,5-3mm	3-6mm
		6-30mm	30-120mm
		20-400mm	Dimension (mm)
		±0,1	±0,1
		±0,2	±0,3
		±0,5	mm (medium)
SCALE: 1:1		SHEET 1 OF 2	

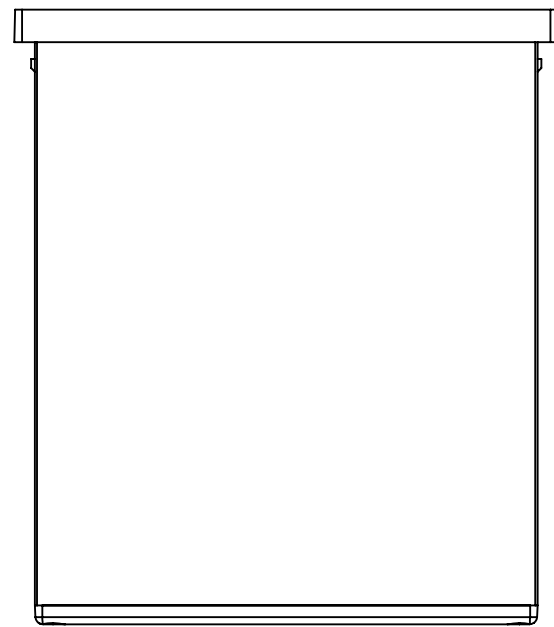
PT-120 IF MACHINED TOGETHER



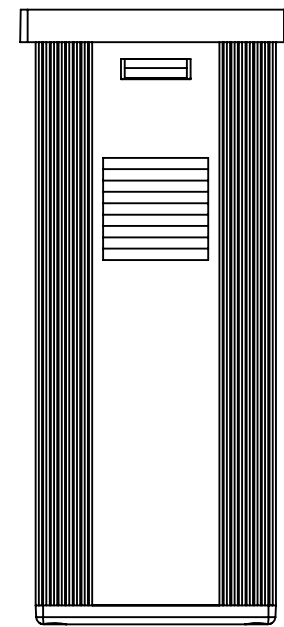
SURFACE-11



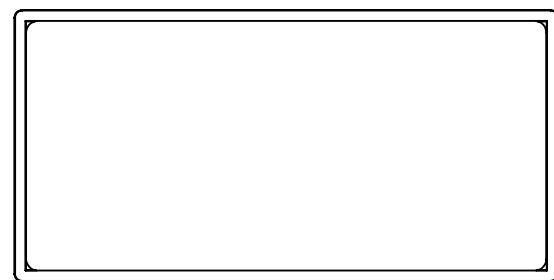
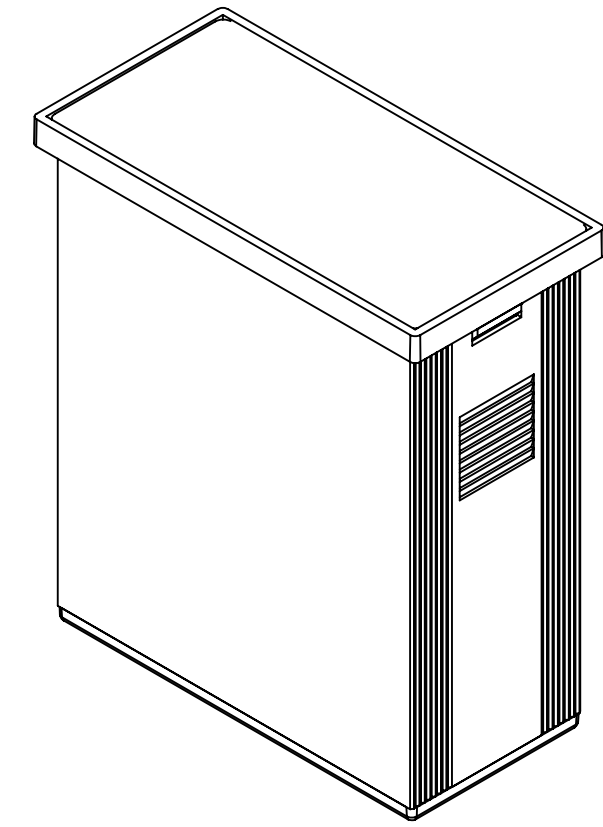
SURFACE-13



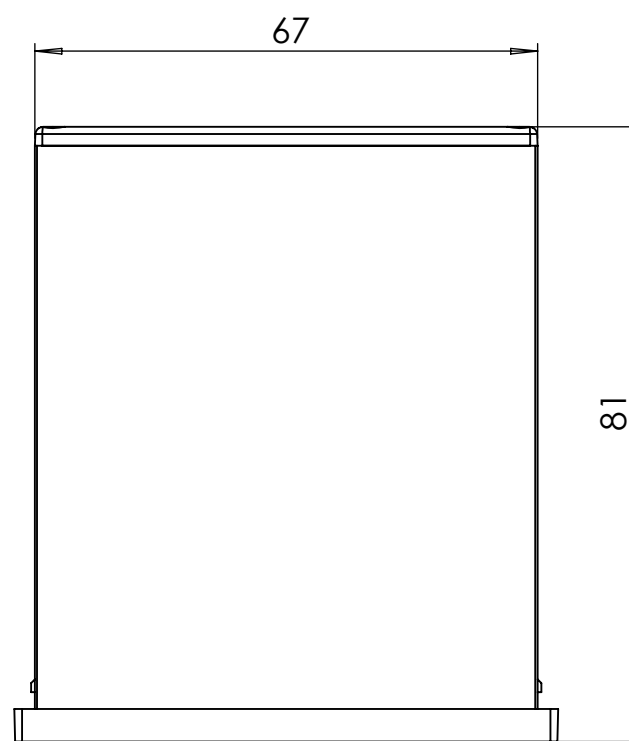
SURFACE-15



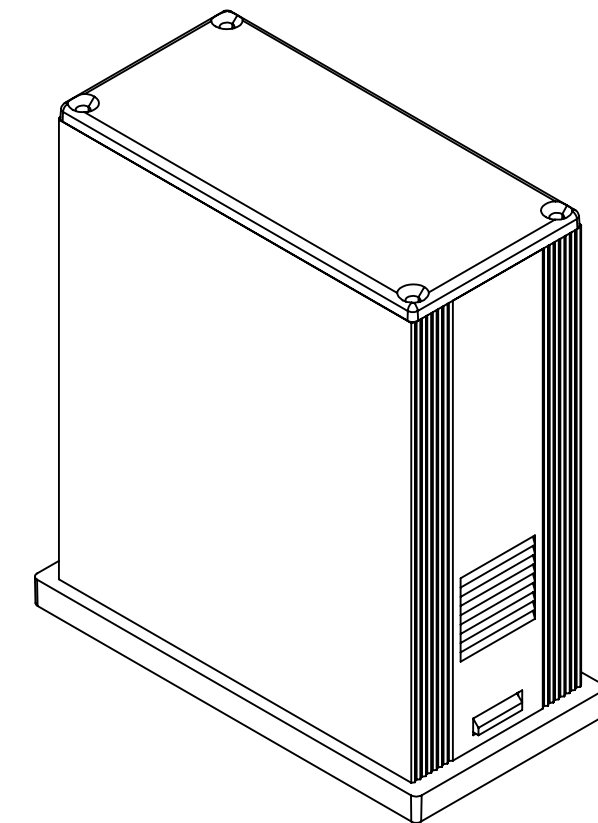
SURFACE-14



SURFACE-12



SURFACE-16



REV. NO	DATE	REVISED BY	DESCRIPTION OF CHANGE
ALTINKAYA Electronic Enclosures & Components			www.altinkaya.com
Customer Name:		Customer Ref.:	
Altinkaya Ref.:		Part Name: PT-120-01	
DRAWN	NAME	DATE	Drawn From:
CHECKED	Y.YEL	4.10.2024	Weight:
DIMENSIONAL TOLERANCES UNLESS OTHERWISE SPECIFIED (EN 7148)			
	0,5-3mm	3-6mm	6-30mm
	±0,1	±0,1	±0,2
		±0,3	±0,5
			mm (medium)

SCALE: 1:1

SHEET 2 OF 2