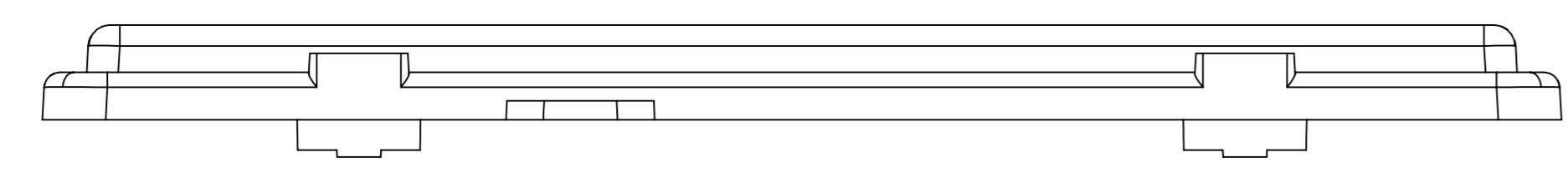
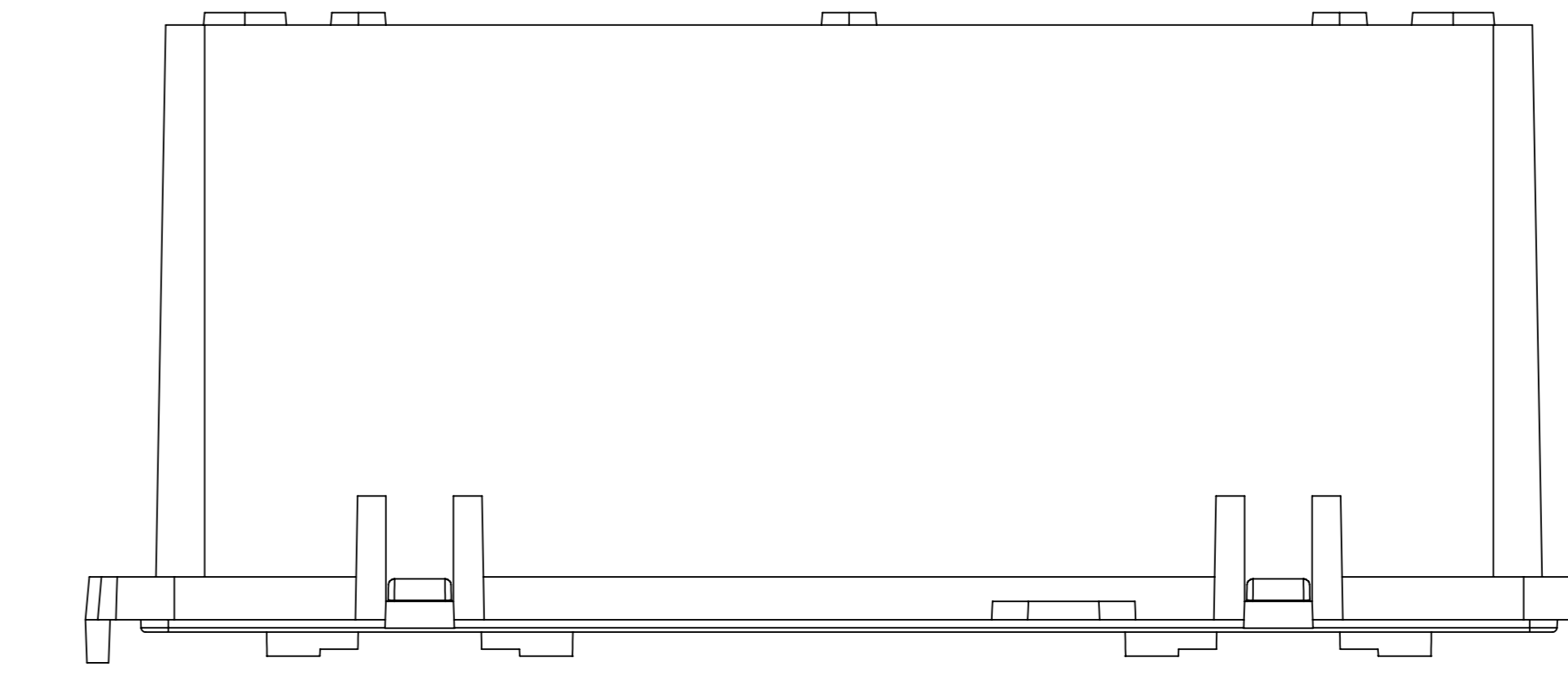


BASE: 6 SURFACE

COVER: 6 SURFACE

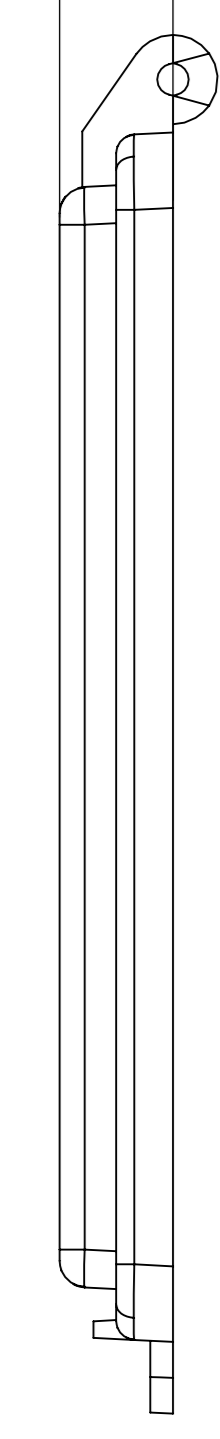


SURFACE-1

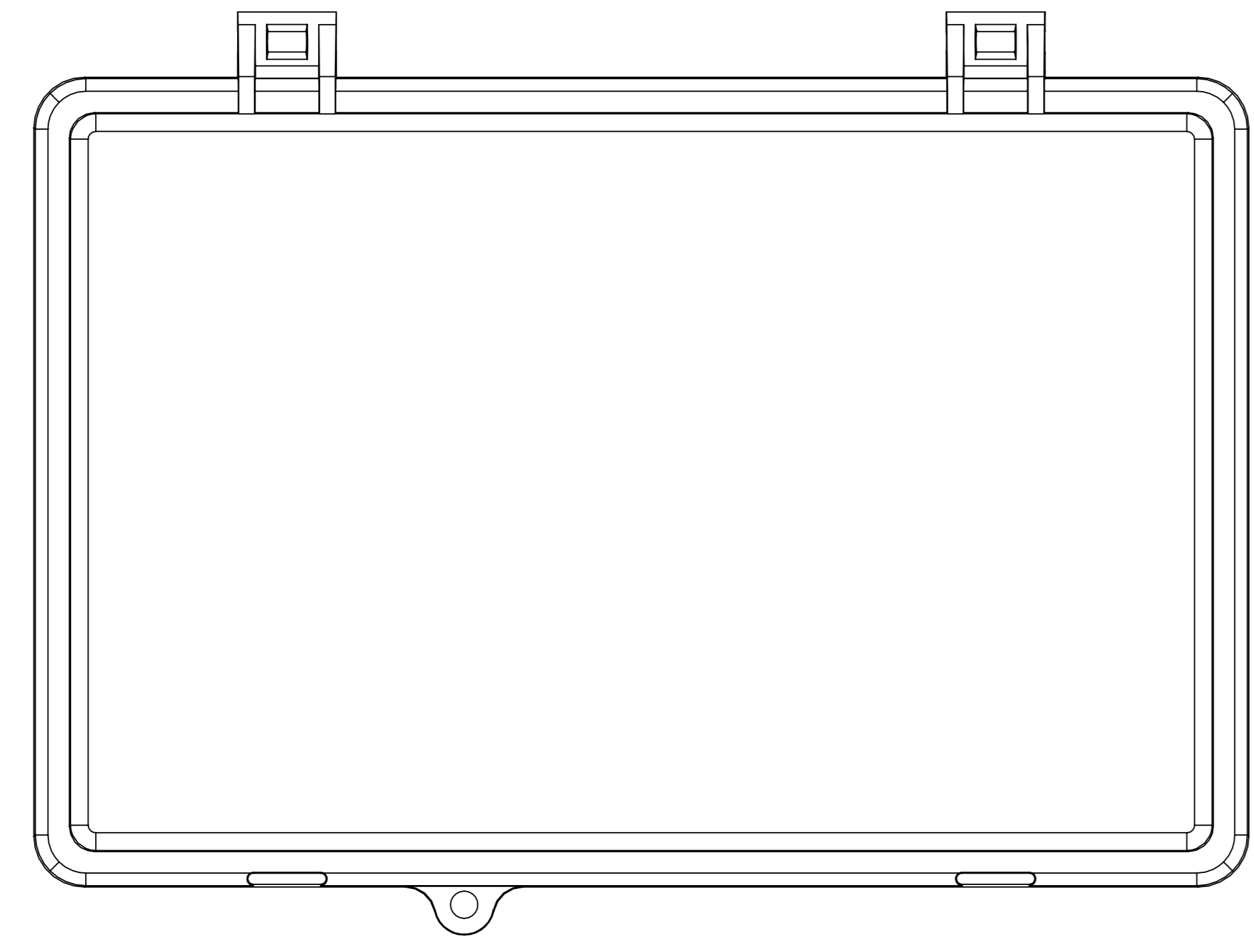


SURFACE-7

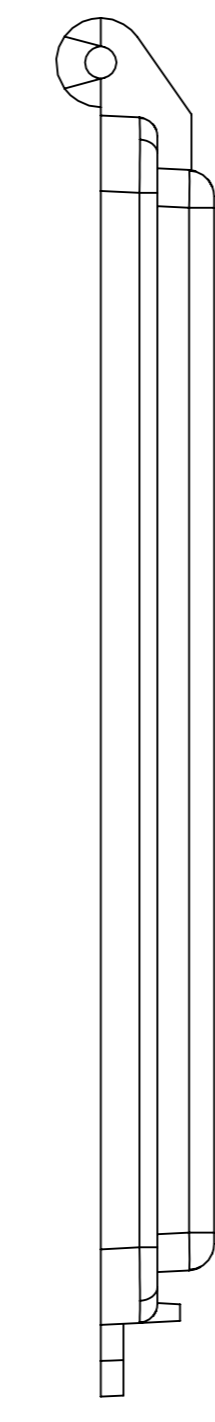
15



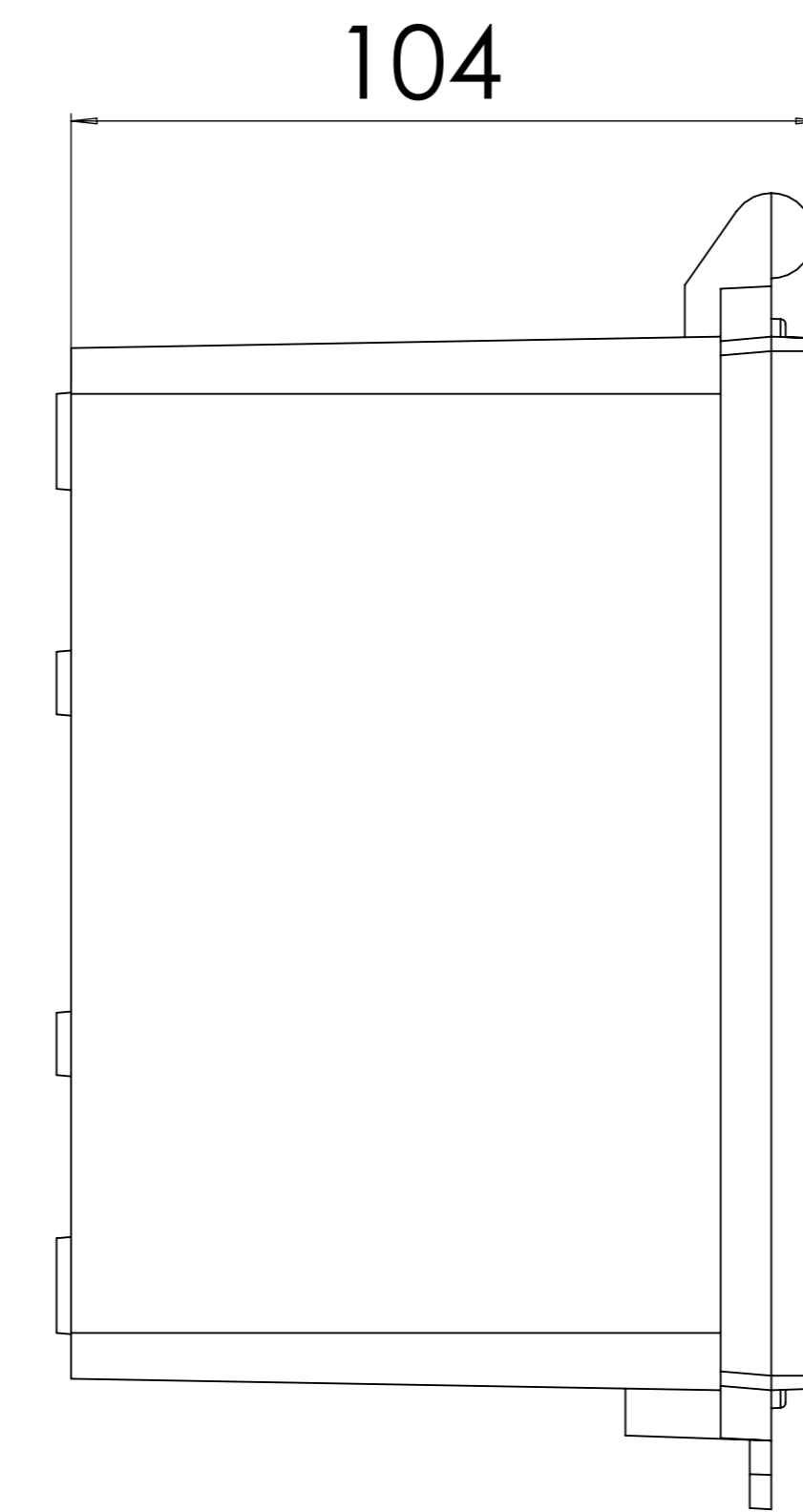
SURFACE-3



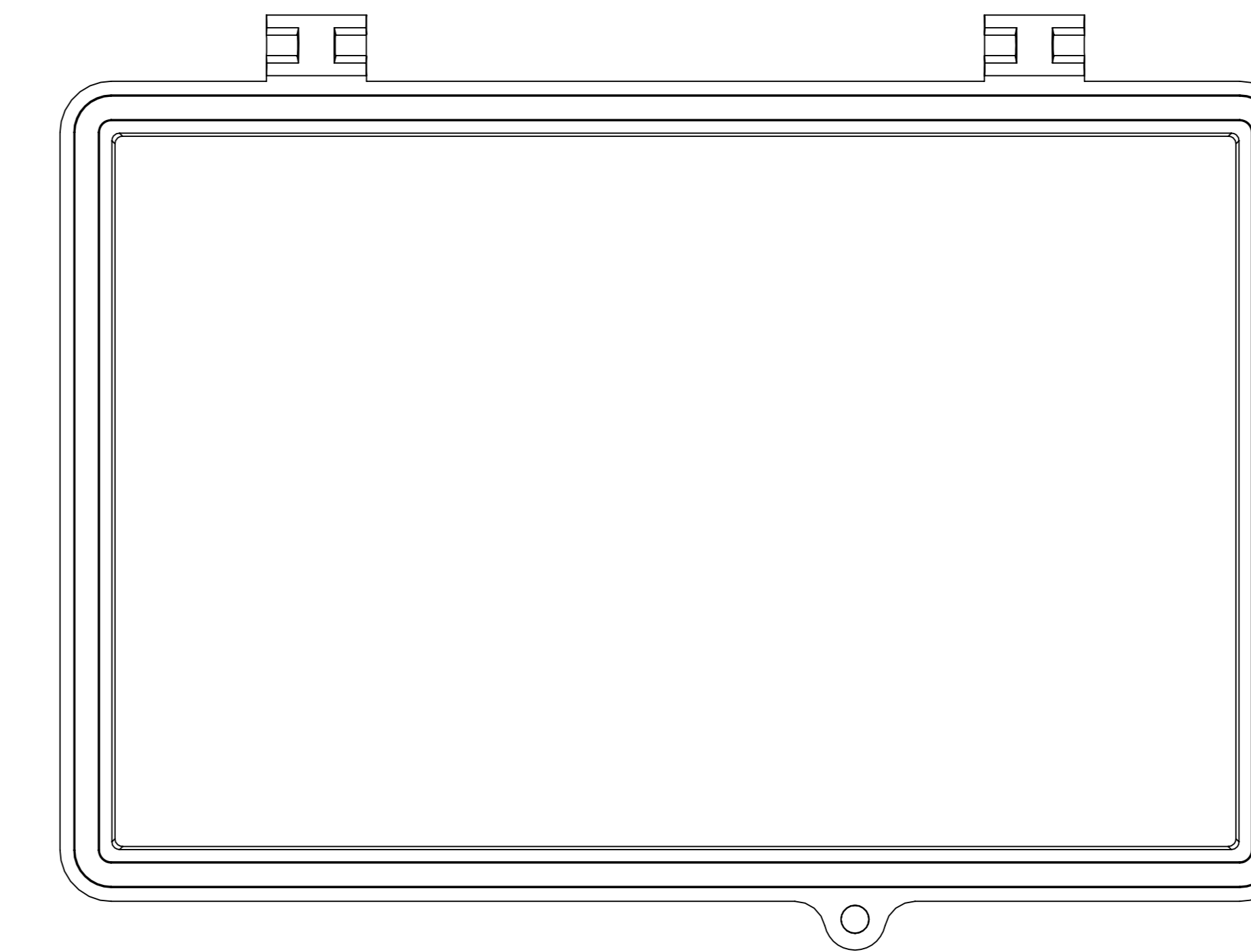
SURFACE-5



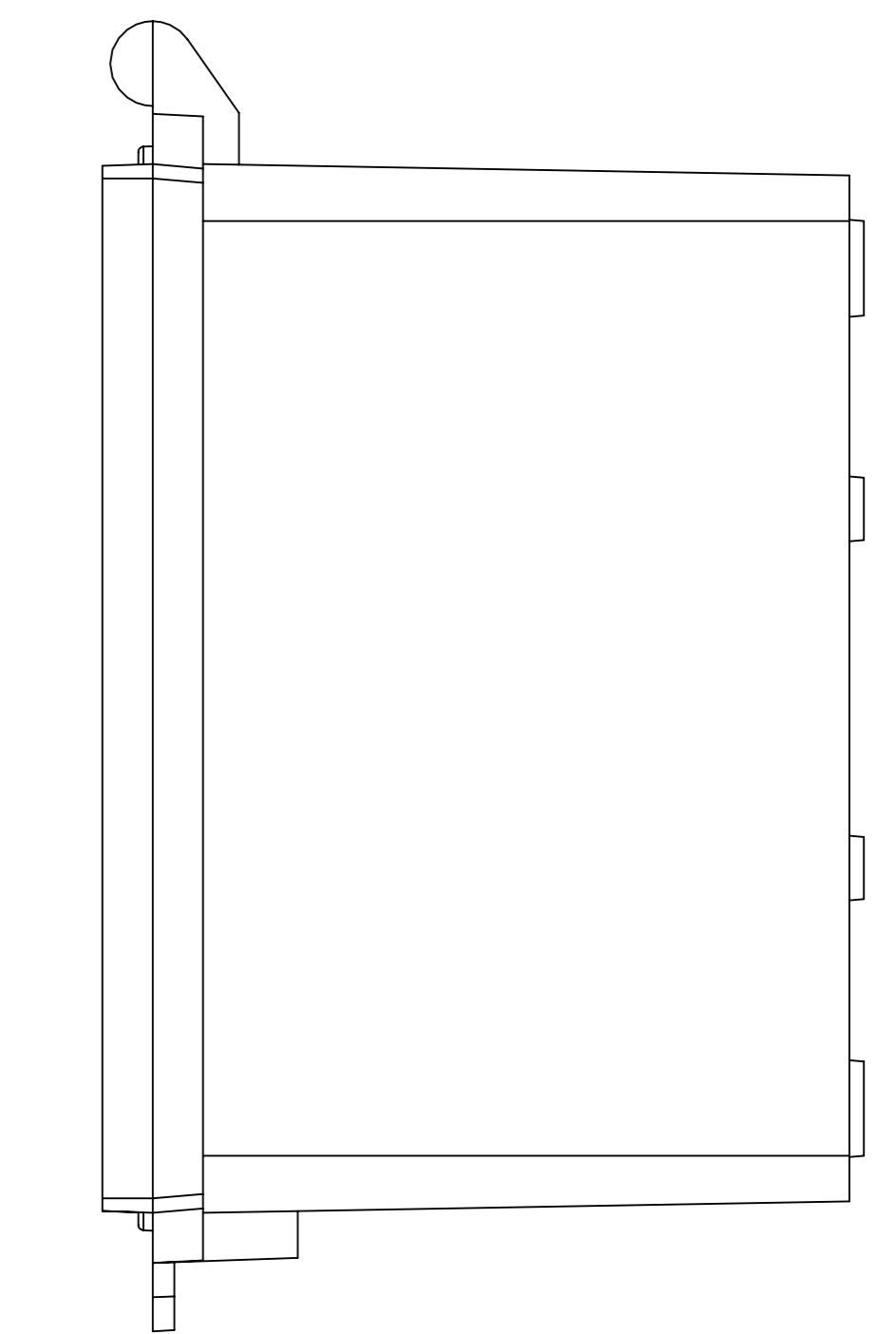
SURFACE-4



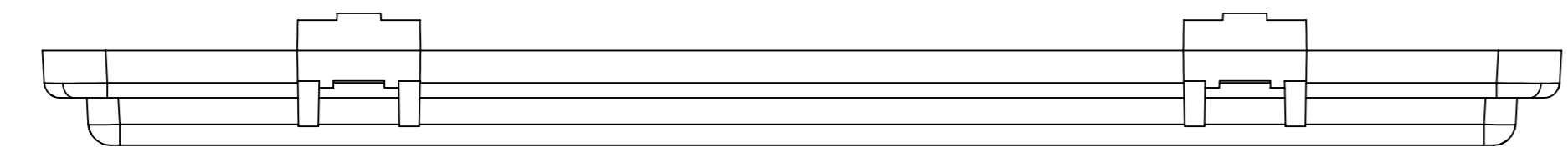
SURFACE-9



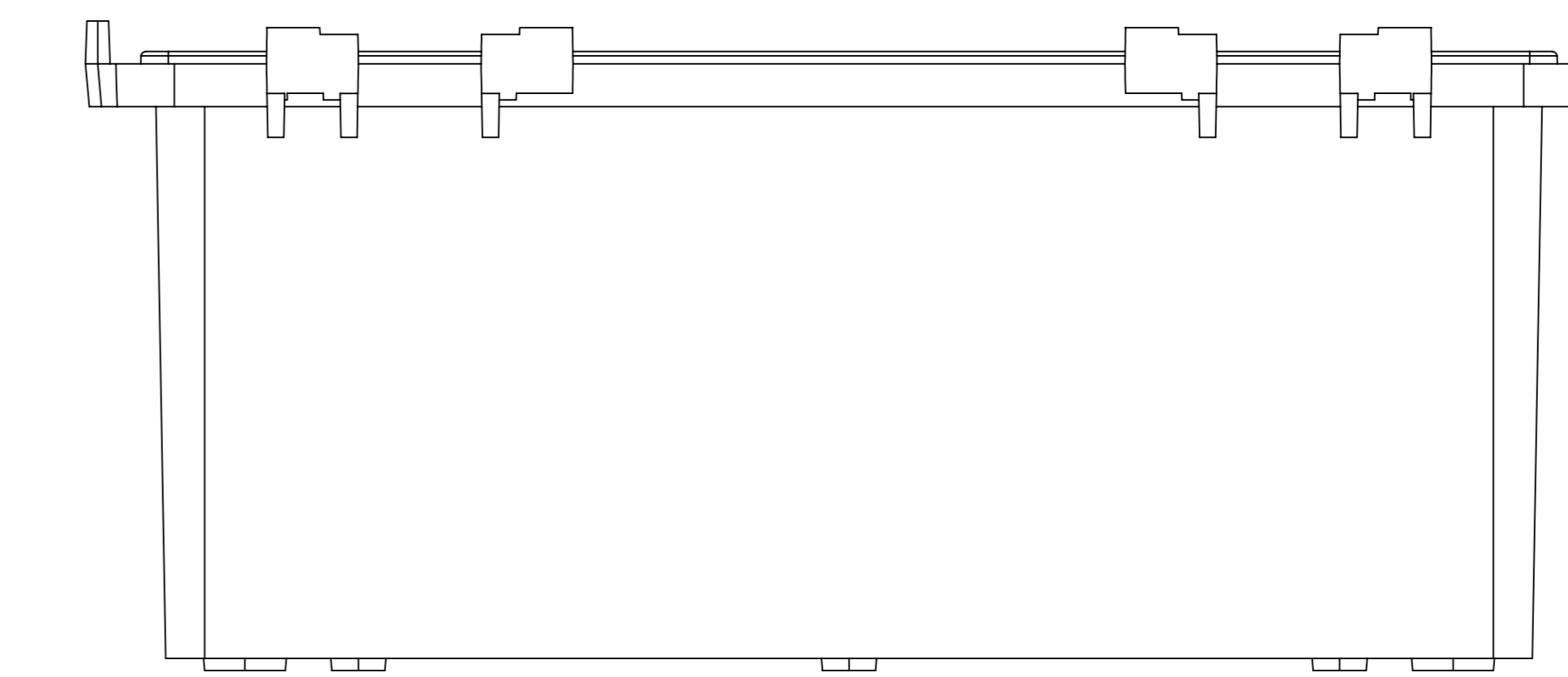
SURFACE-11



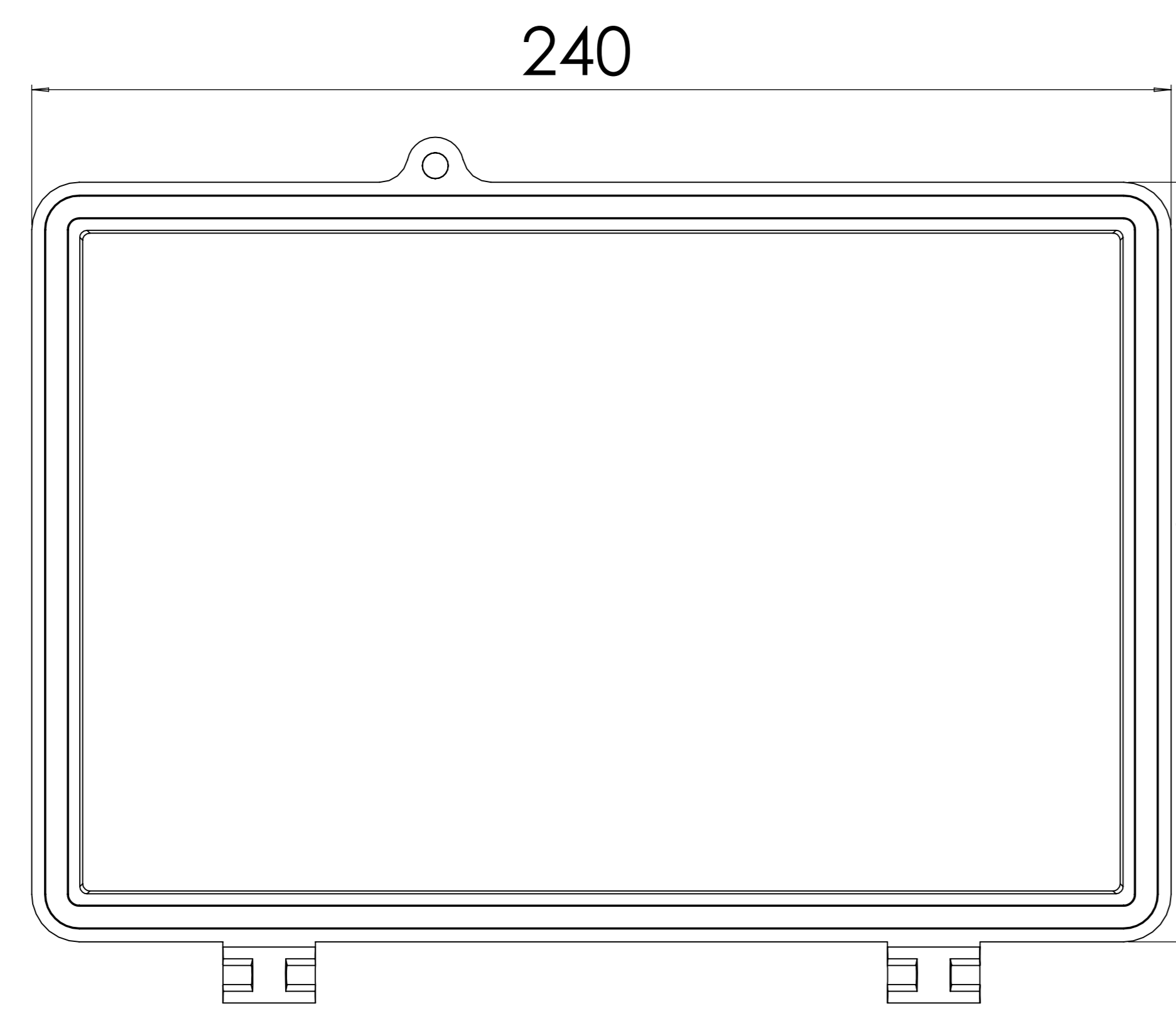
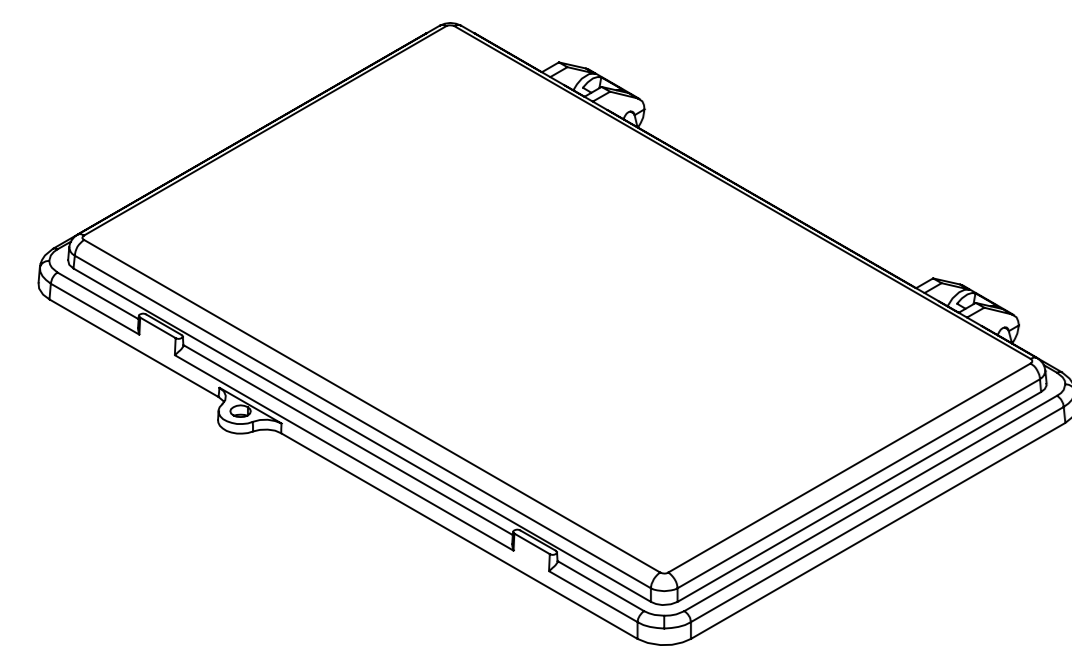
SURFACE-10



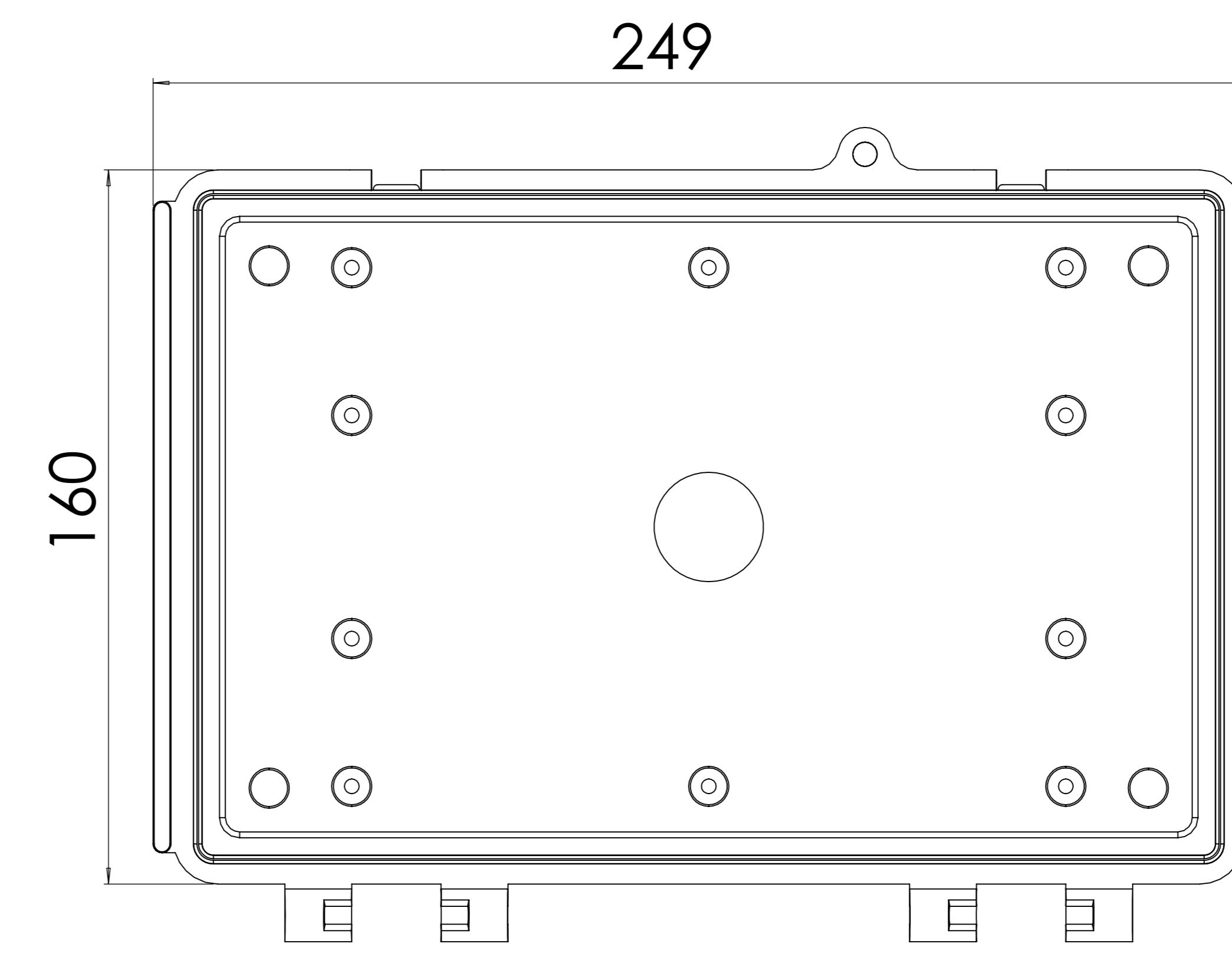
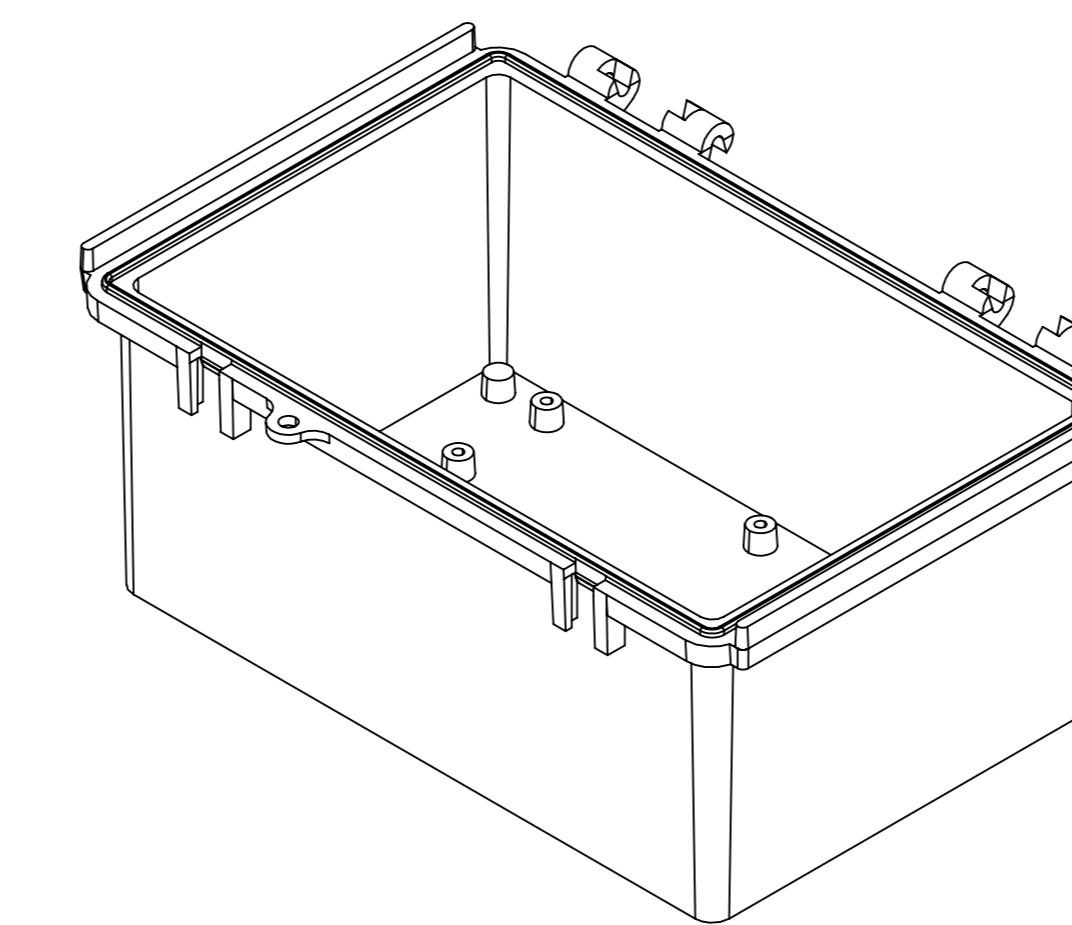
SURFACE-2



SURFACE-8



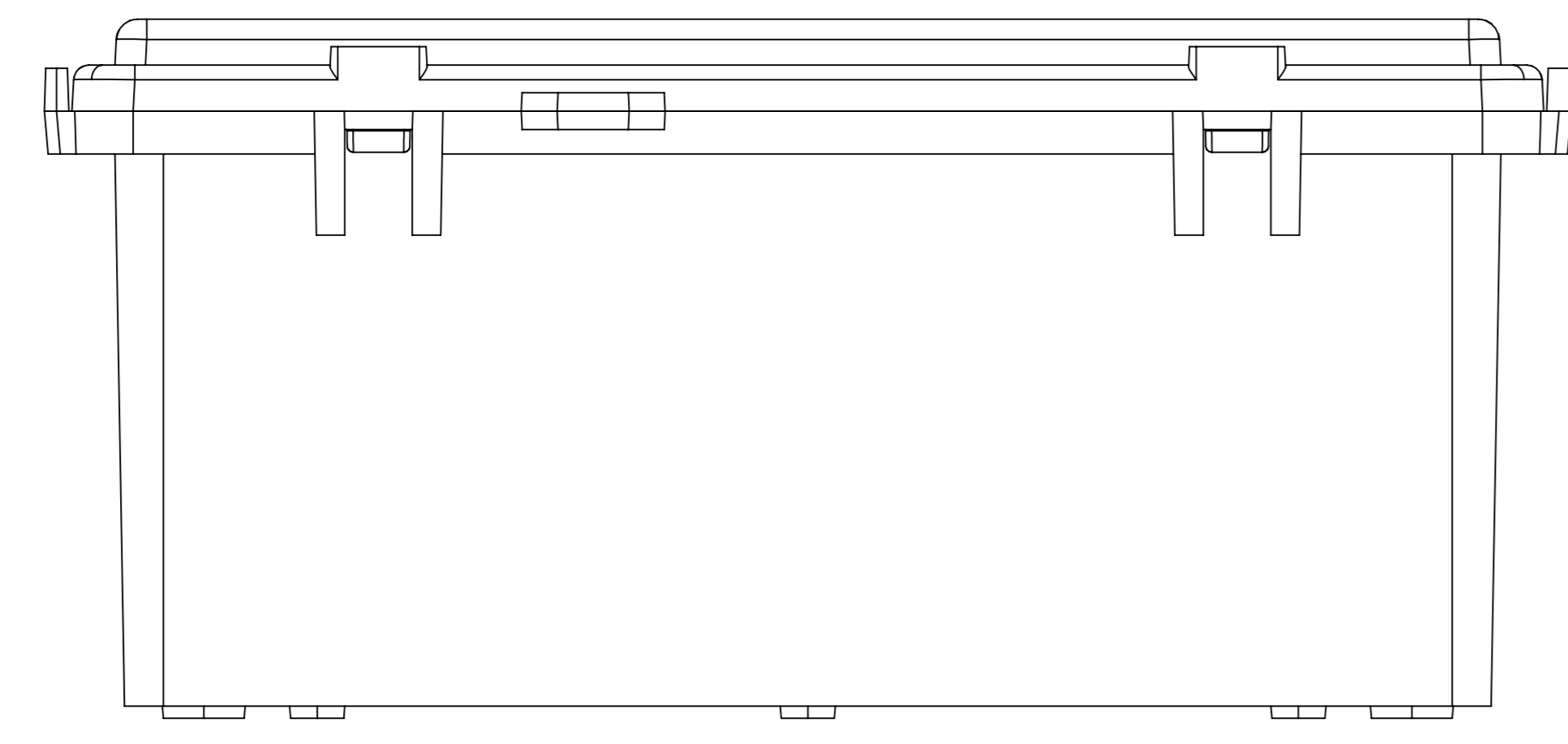
SURFACE-6 (INSIDE)



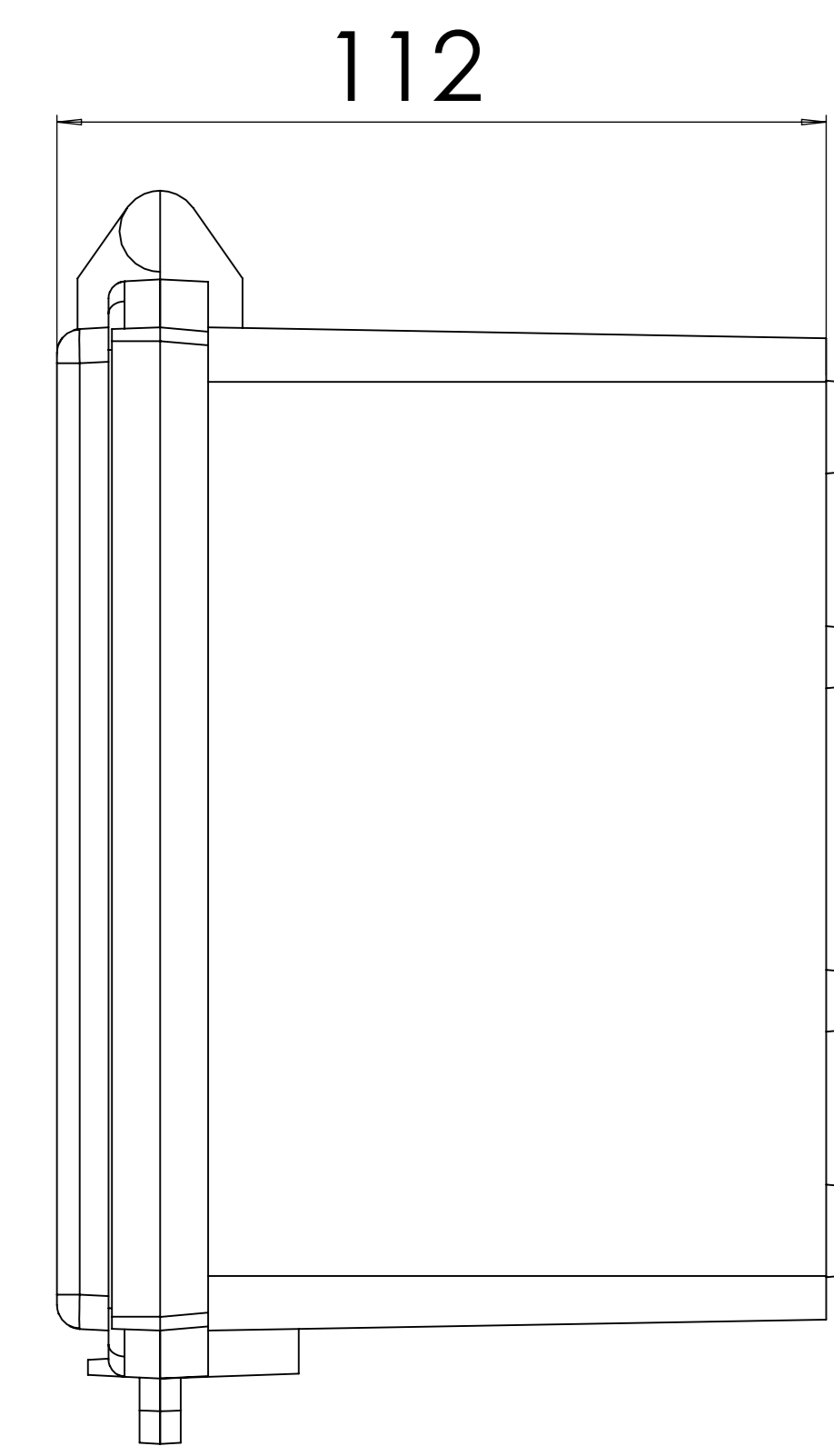
SURFACE-12 (INSIDE)

REV. NO	DATE	REVISED BY	DESCRIPTION OF CHANGE
 ALTINKAYA Electronic Enclosures & Components			
Customer Name :		Customer Ref. :	
Altinkaya Ref :		Part Name: EC-1624-11	
DRAWN	NAME	DATE	Drawn From:
CHECKED	Y.YEL	30.09.2024	Weight:
DIMENSIONAL TOLERANCES UNLESS OTHERWISE SPECIFIED (DIN7168)			UNIT: mm
	0.5-3mm	3-6mm	6-30mm
	±0.1	±0.1	±0.2
		±0.3	±0.5
			Dimension(mm)
			m (medium)

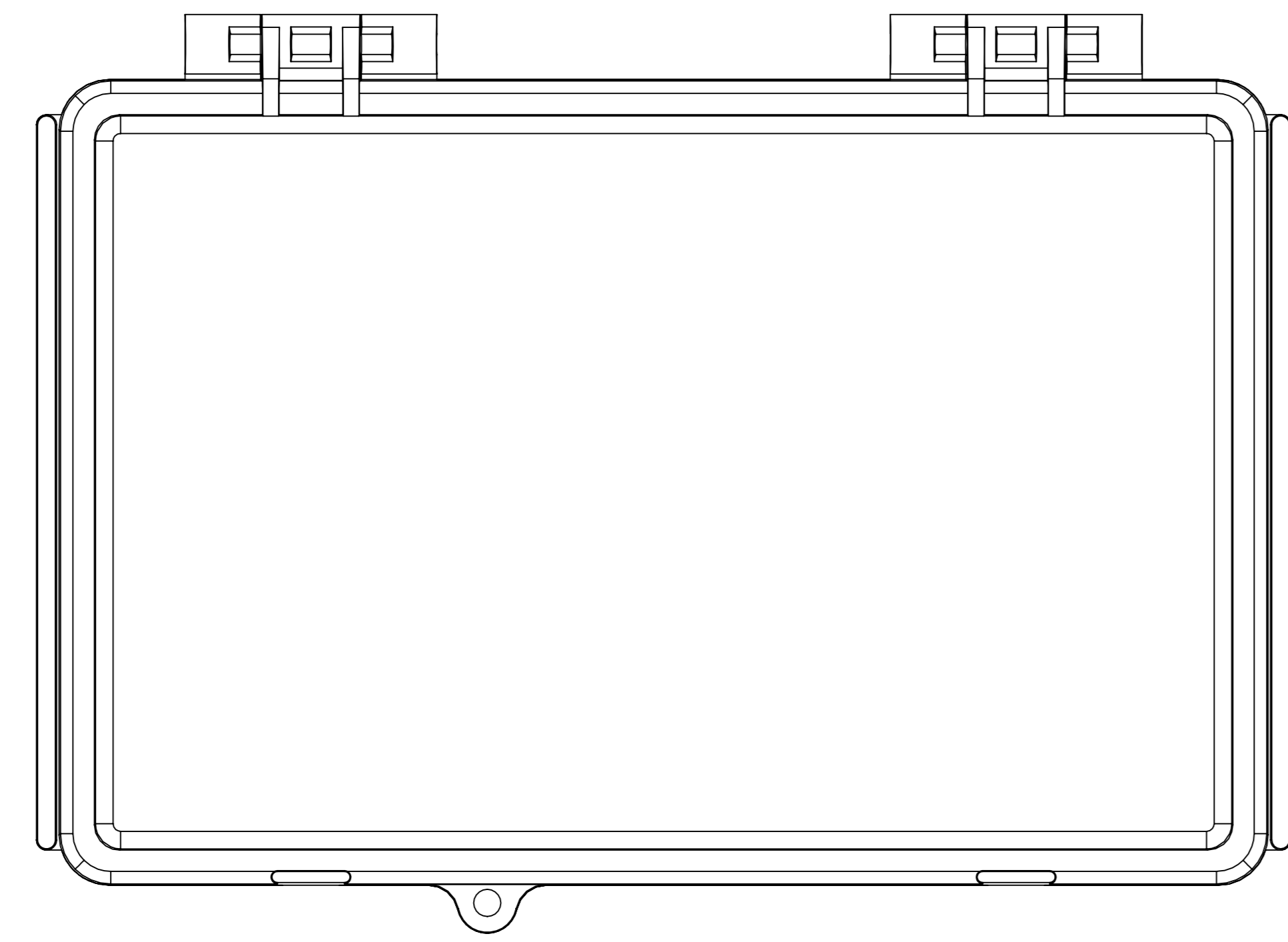
EC-1624-11 IF MACHINED TOGETHER



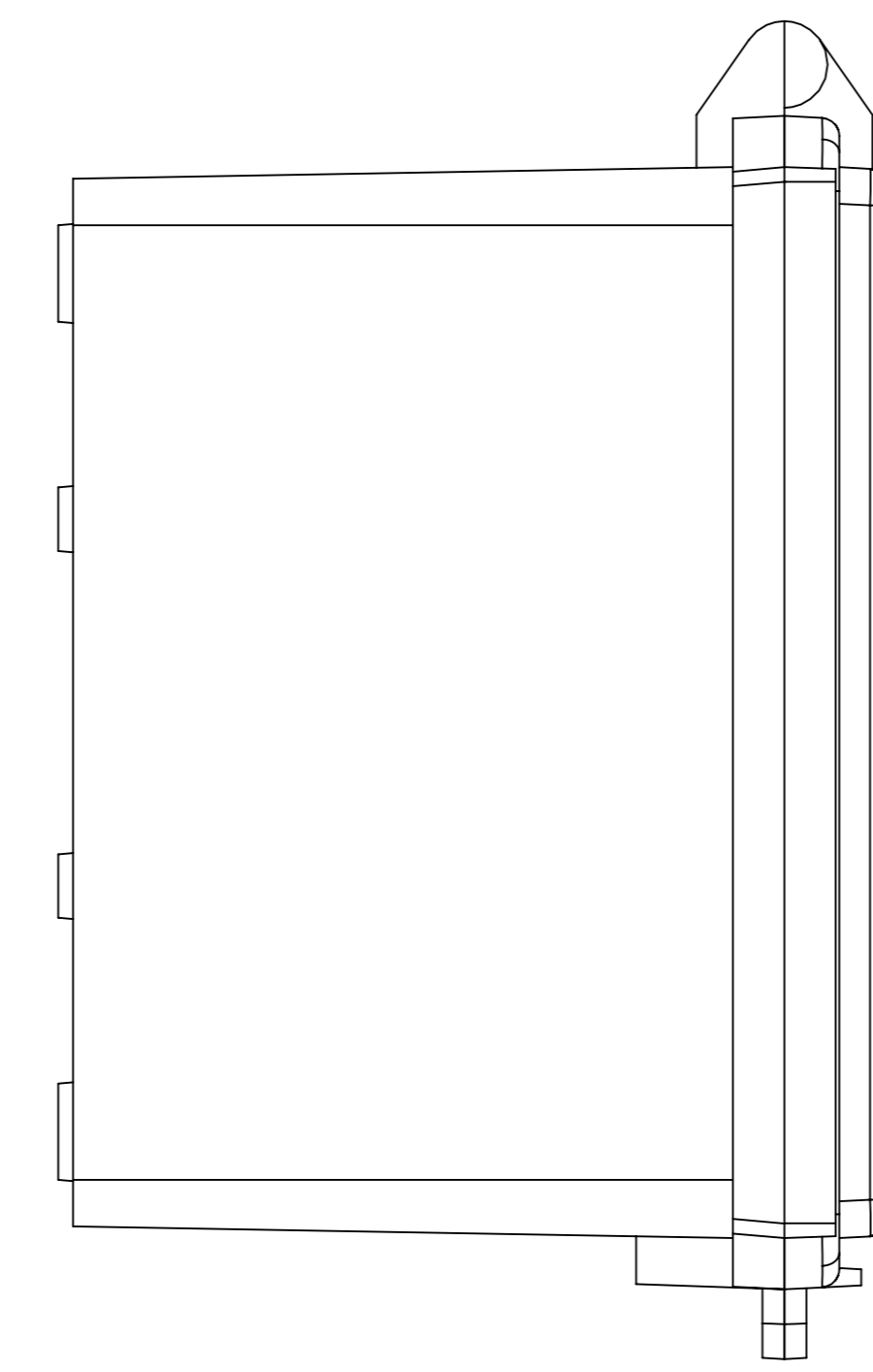
SURFACE-13



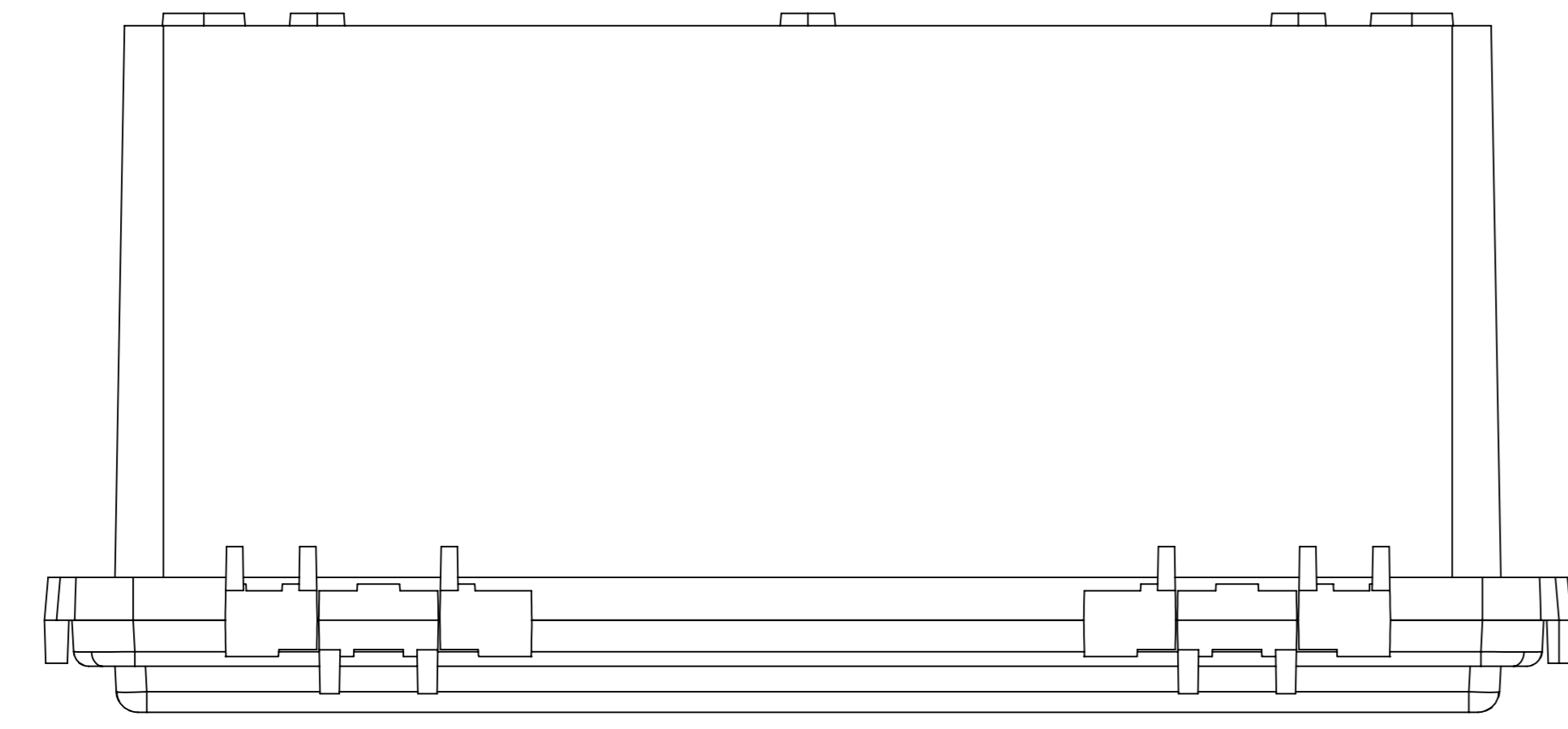
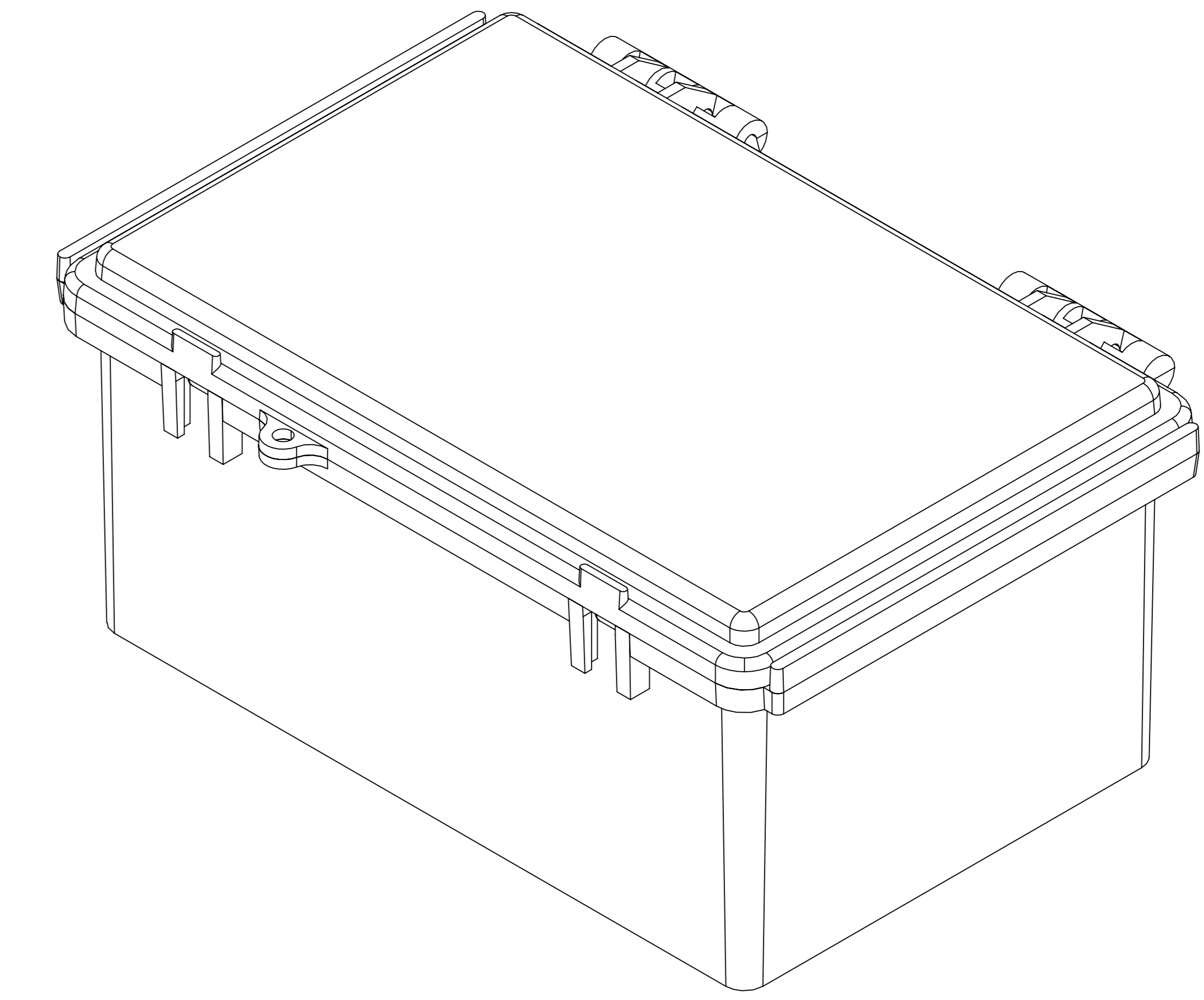
SURFACE-15



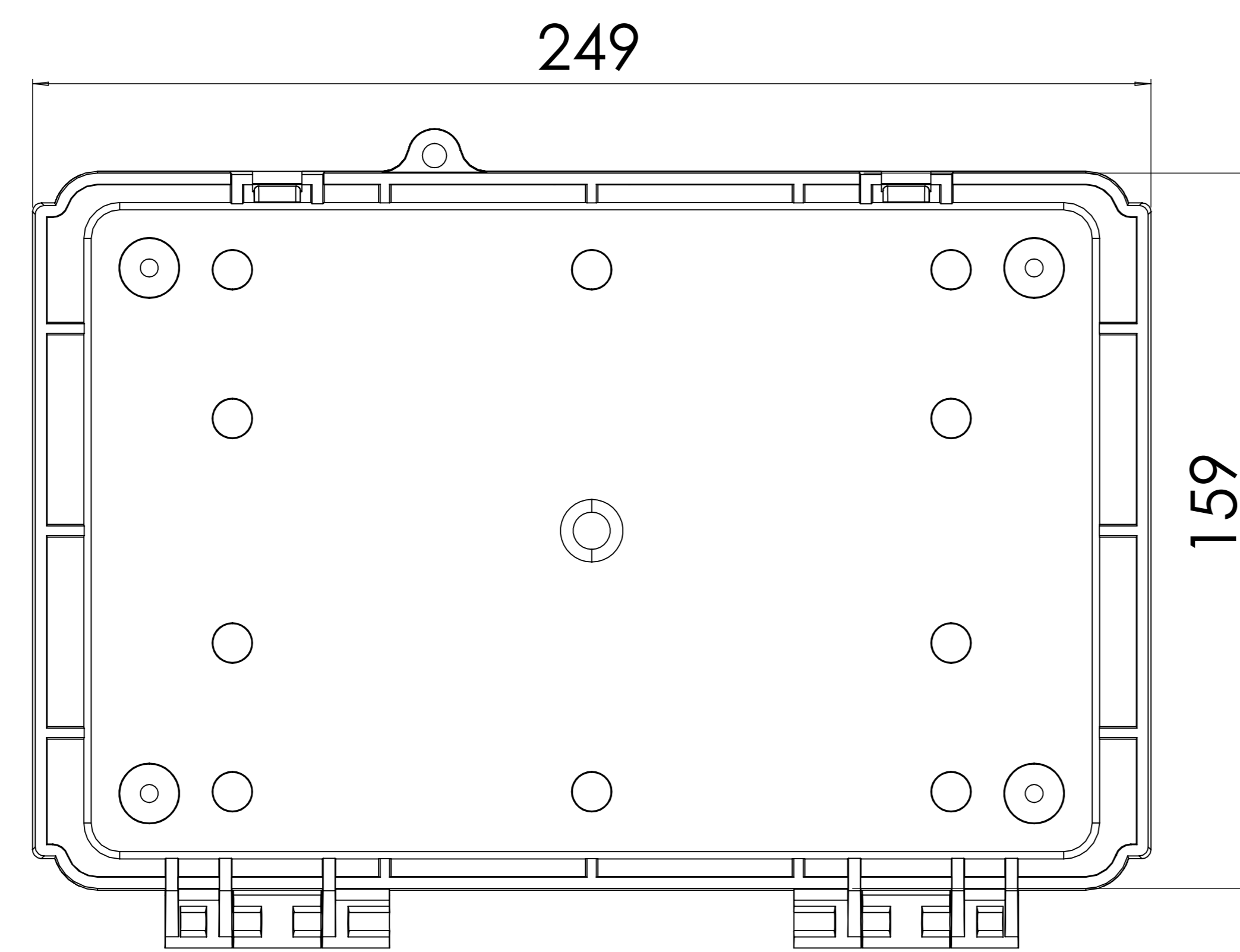
SURFACE-17



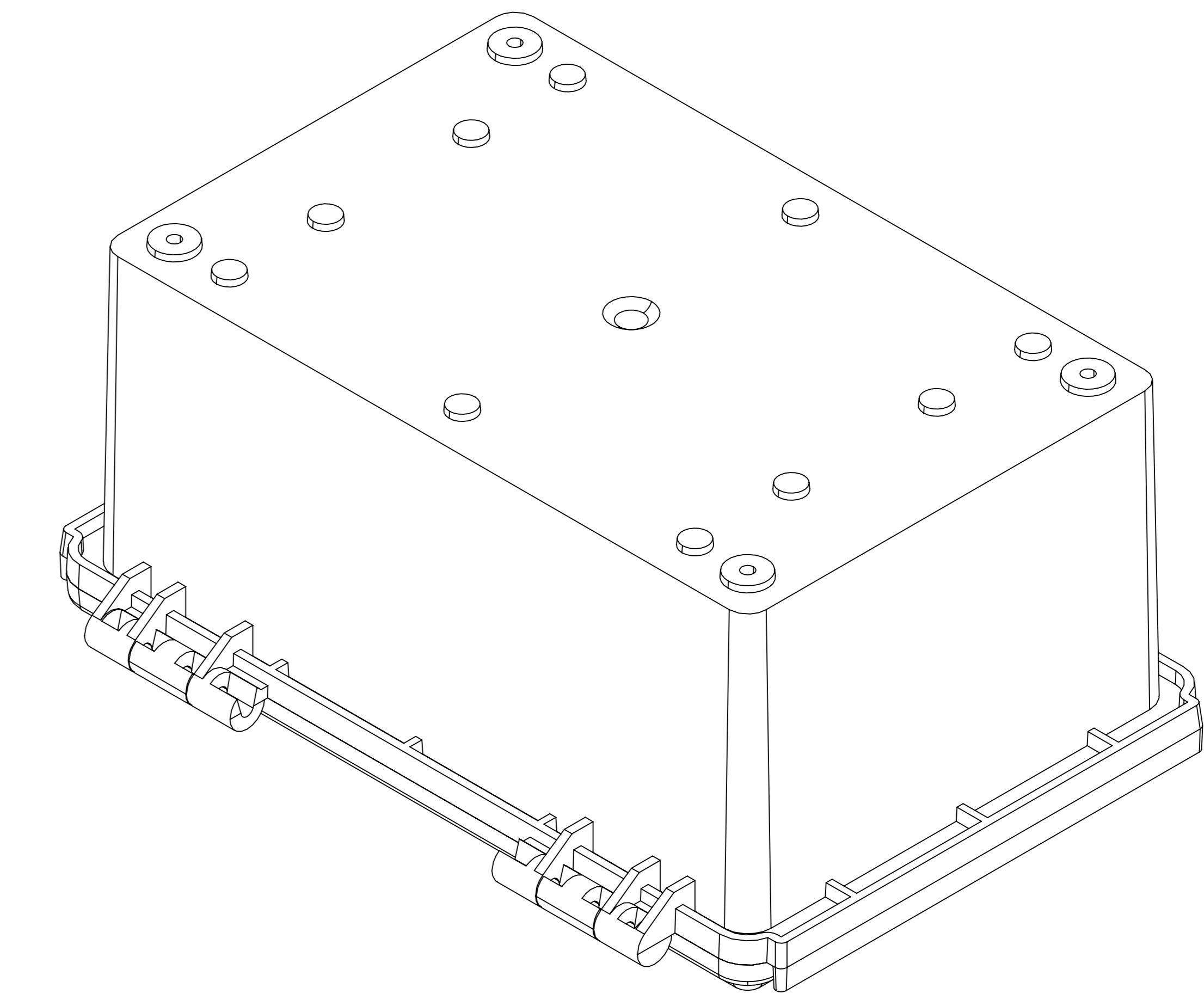
SURFACE-16




SURFACE-14



SURFACE-18



REV. NO	DATE	REVISED BY	DESCRIPTION OF CHANGE			
 ALTINKAYA Electronic Enclosures & Components			www.altinkaya.com			
Customer Name :		Customer Ref. :				
Altinkaya Ref :		Part Name: EC-1624-11				
DRAWN	NAME	DATE	Drawn From:			
CHECKED	Y.YEL	30.09.2024	Material:			
DIMENSIONAL TOLERANCES UNLESS OTHERWISE SPECIFIED (DIN7168)			Weight:			
0.5-3mm	3-6mm	6-30mm	30-120mm	120-400mm	Dimension(mm)	UNIT: mm
±0,1	±0,1	±0,2	±0,3	±0,5	m (medium)	